



US00D875235S

(12) **United States Design Patent**
Coleman et al.

(10) **Patent No.:** **US D875,235 S**

(45) **Date of Patent:** **** Feb. 11, 2020**

(54) **PIVOTABLE FAN WITH FILTER**

(71) Applicant: **JPW Industries Inc.**, LaVergne, TN (US)

(72) Inventors: **Micah Coleman**, Nashville, TN (US);
Charles Weber, Onalaska, WI (US);
Thomas Balko, Lacrosse, WI (US)

(73) Assignee: **JPW Industries Inc.**, LaVergne, TN (US)

(**) Term: **15 Years**

(21) Appl. No.: **29/647,078**

(22) Filed: **May 9, 2018**

(51) **LOC (12) Cl.** **23-04**

(52) **U.S. Cl.**

USPC **D23/382**; D23/365

(58) **Field of Classification Search**

USPC D23/314, 317, 324, 328, 332–337, 342,
D23/351, 352, 355, 356, 359, 362, 364,
D23/366, 370–376, 378, 379, 381–385,
D23/411–414, 365

CPC F04D 25/08; F04D 29/403; F04D 29/522
See application file for complete search history.

(56) **References Cited**

U.S. PATENT DOCUMENTS

D255,489 S *	6/1980	Kanarek	D23/383
D274,462 S *	6/1984	Rakocy	D23/365
D359,116 S *	6/1995	Marvin	D23/332
D392,735 S *	3/1998	Gonzales	D23/381
D397,192 S *	8/1998	Chiu	D23/328
D409,298 S *	5/1999	Litvin	D23/381
D421,114 S *	2/2000	Lozzio	D23/332
D444,222 S *	6/2001	Wilson, Jr.	D23/382
D597,639 S *	8/2009	Chen Lee	D23/328
D621,025 S *	8/2010	Peterson	D23/382
D685,459 S *	7/2013	Pan	D23/370
D688,781 S *	8/2013	Vallinan	D23/355

(Continued)

OTHER PUBLICATIONS

<http://www.emundans.com/en/dep-technology>; DEP Technology by Cair AB, Emundans International AB, three pages.

(Continued)

Primary Examiner — Cathron C Brooks

Assistant Examiner — Sharon S Oum

(74) *Attorney, Agent, or Firm* — Waller Lansden Dortch & Davis LLP; Blake M. Bernard

(57) **CLAIM**

The ornamental design of a pivotable fan with filter, as shown and described.

DESCRIPTION

FIG. 1 is a perspective view taken from the back, top, left-hand side of a pivotable fan with filter;

FIG. 2 is a perspective view taken from the front, bottom, right-hand side thereof;

FIG. 3 is a perspective view taken from the back, top, left-hand side thereof, showing a first alternative pivot position of the pivotable fan with filter;

FIG. 4 is a perspective view taken from the back, top, left-hand side thereof, showing a second alternative pivot position of the pivotable fan with filter;

FIG. 5 is a rear elevational view of FIG. 1;

FIG. 6 is a front elevational view thereof;

FIG. 7 is a side elevational view of the right side thereof;

FIG. 8 is a side elevational view of the left side thereof;

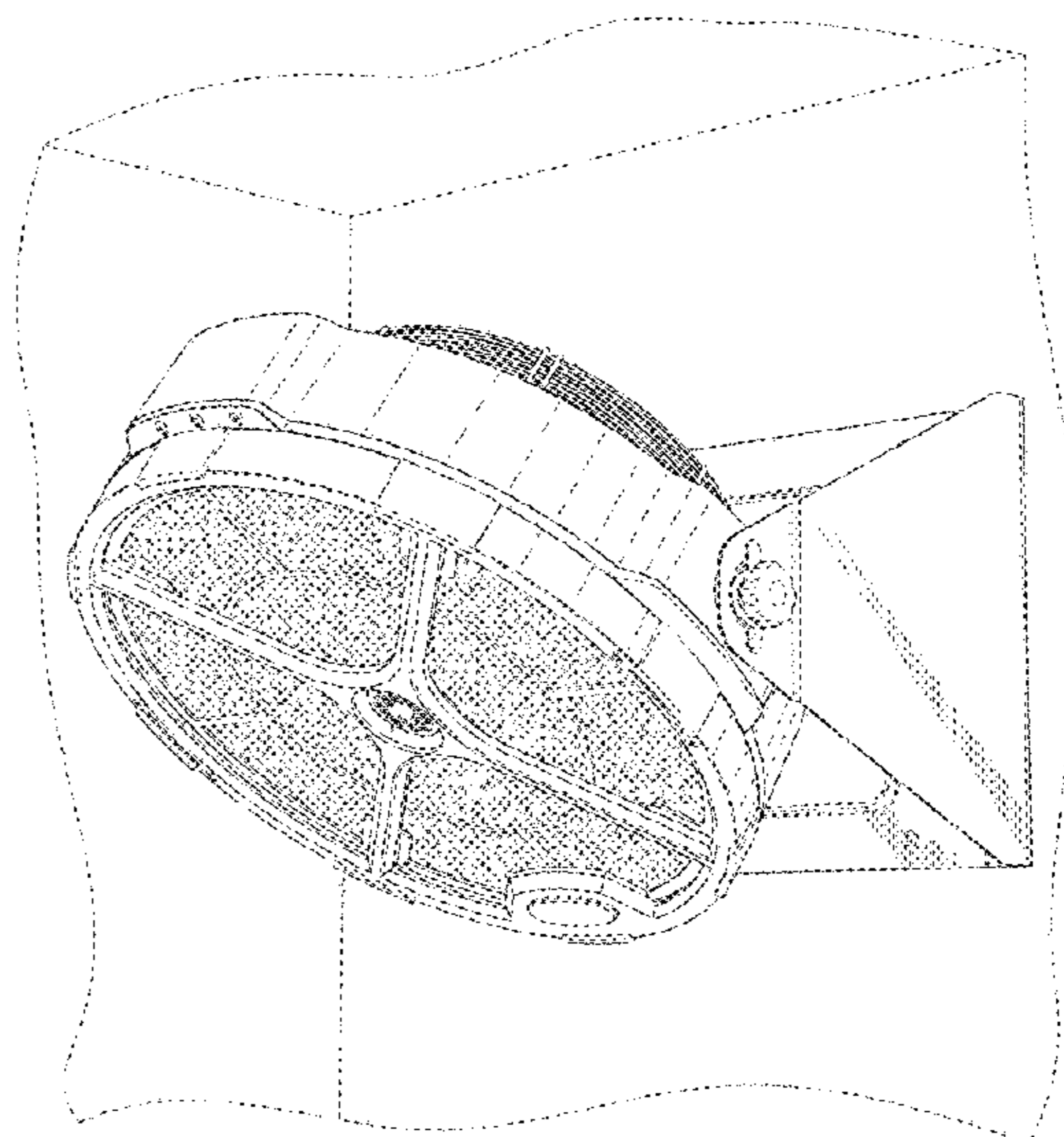
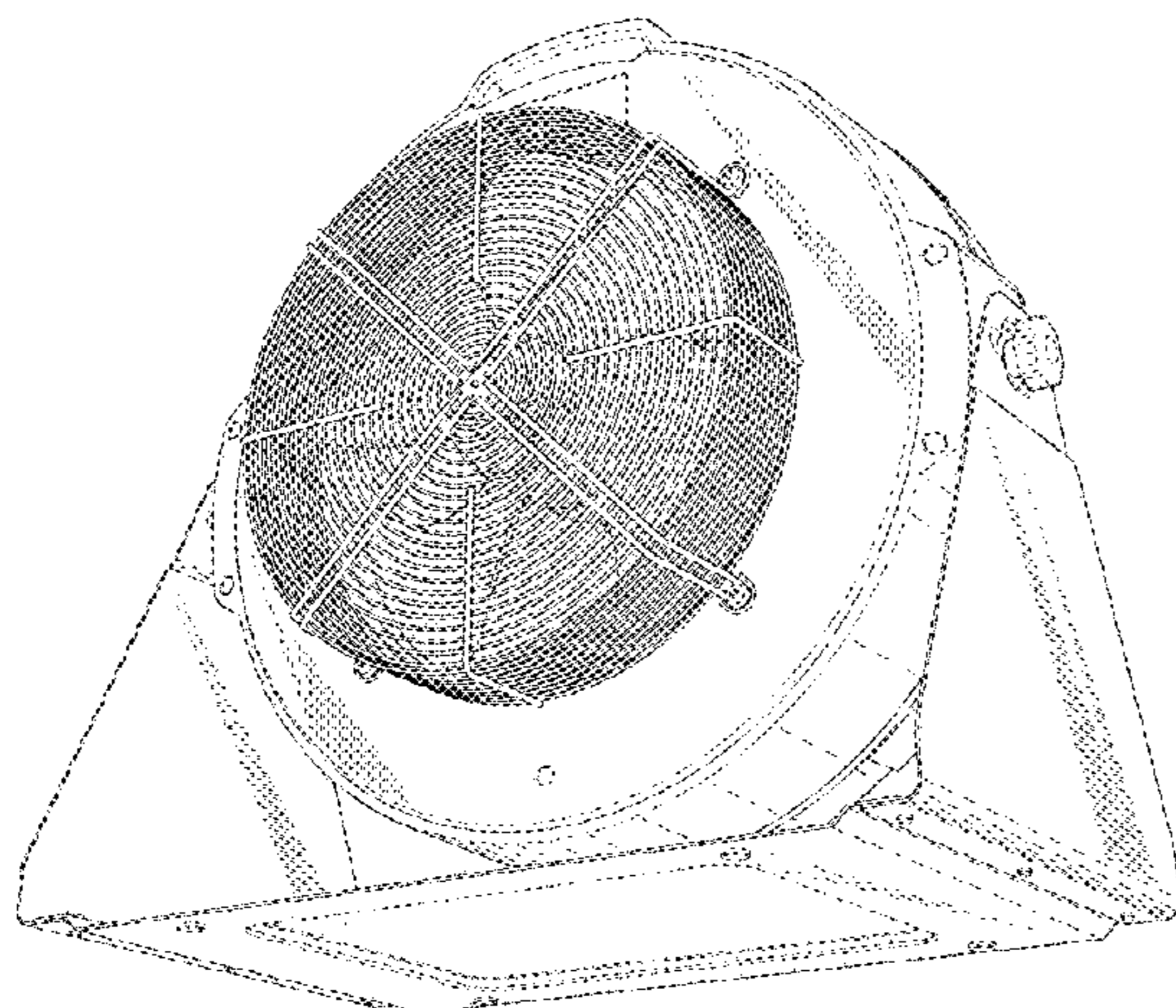
FIG. 9 is a top plan view thereof; and,

FIG. 10 is a bottom plan view thereof.

The broken lines illustrate portions of the pivotable fan with filter and environmental structure. None of the broken lines form part of the claimed design.

The small, closely spaced irregular lines shown on the filter within the circular housing in FIGS. 1, 3, 4 and 5 illustrate the filter surface, and are claimed.

1 Claim, 10 Drawing Sheets



(56)

References Cited

U.S. PATENT DOCUMENTS

D691,256 S * 10/2013 Pan D23/370
D710,487 S * 8/2014 Lin D23/355
8,834,799 B2 9/2014 Loreth
D762,833 S * 8/2016 Ogg D23/365
D845,465 S * 4/2019 Cui D23/382
2013/0309111 A1* 11/2013 Mizuno F04D 25/08
417/423.14

OTHER PUBLICATIONS

<https://www.amazon.com/Humanscale-Zon-Air-Purifier-White/dp/B005NFLU4M>, Humanscale Zon Air Purifier, six pages.
<https://www.amazon.com/Sharper-Image-Brethe-Cleaner-Technology/dp/B009YDAEUA>, The Sharper Image Brethe Air Cleaner, seven pages.

* cited by examiner

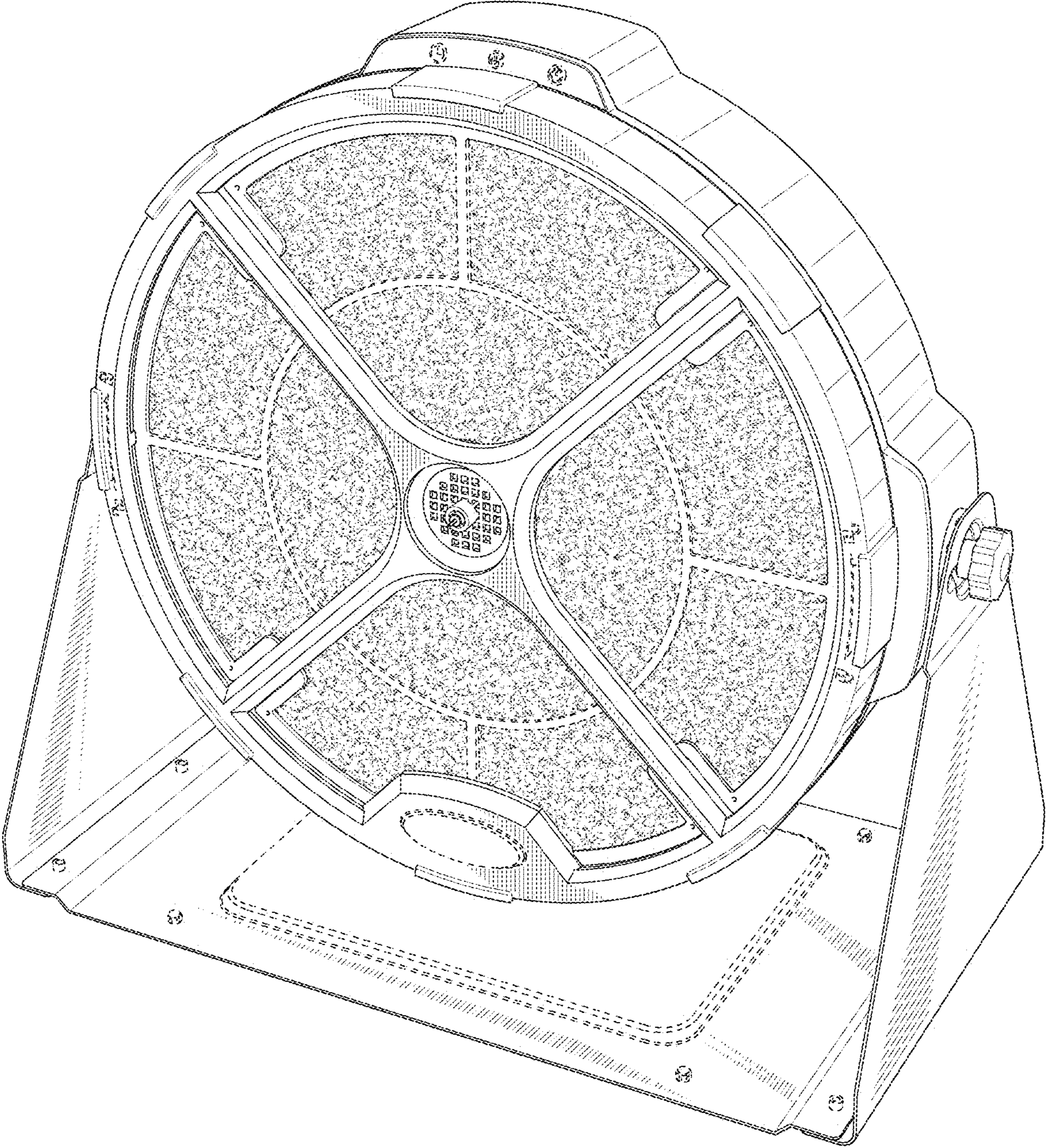


FIG. 1

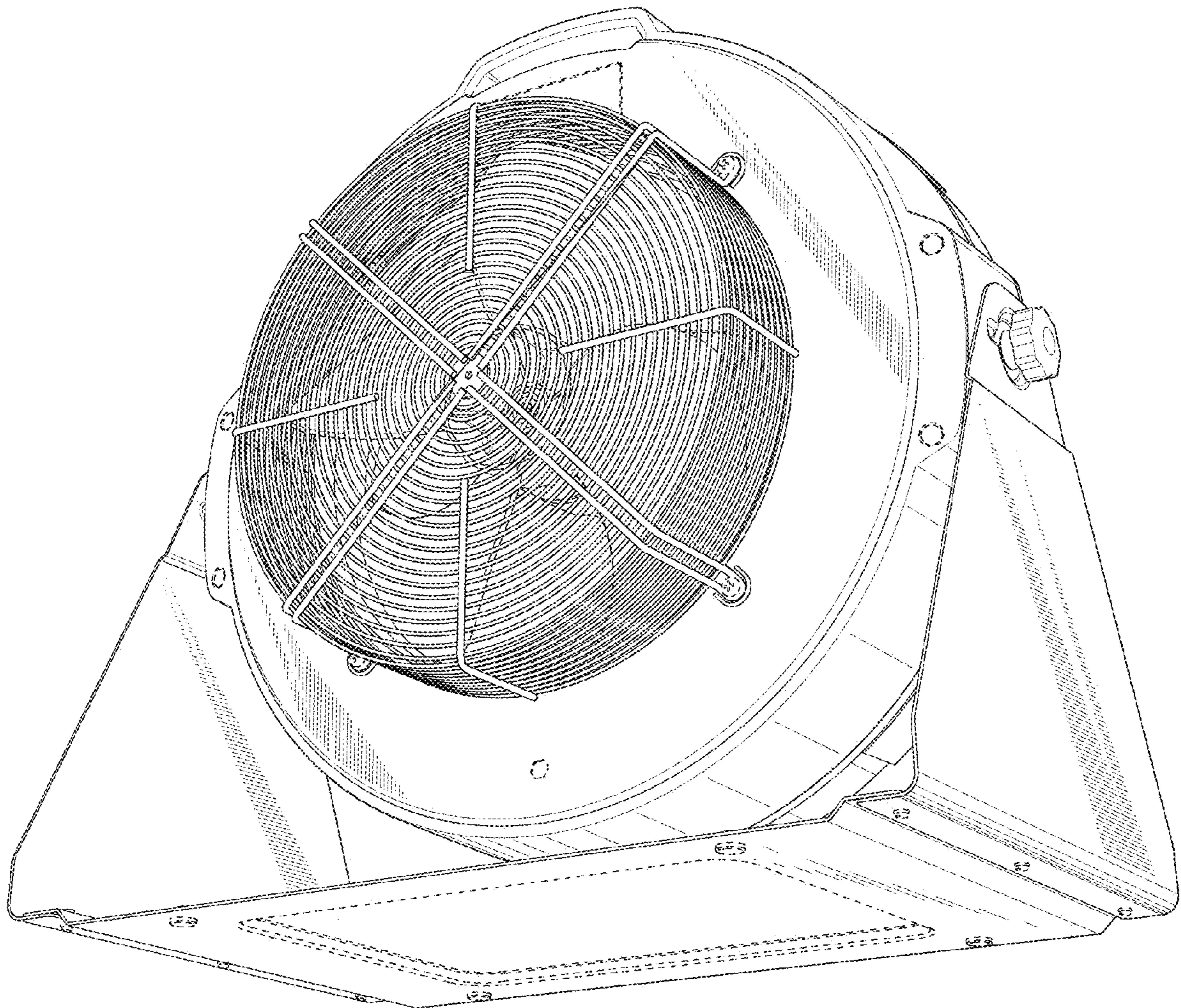


FIG. 2

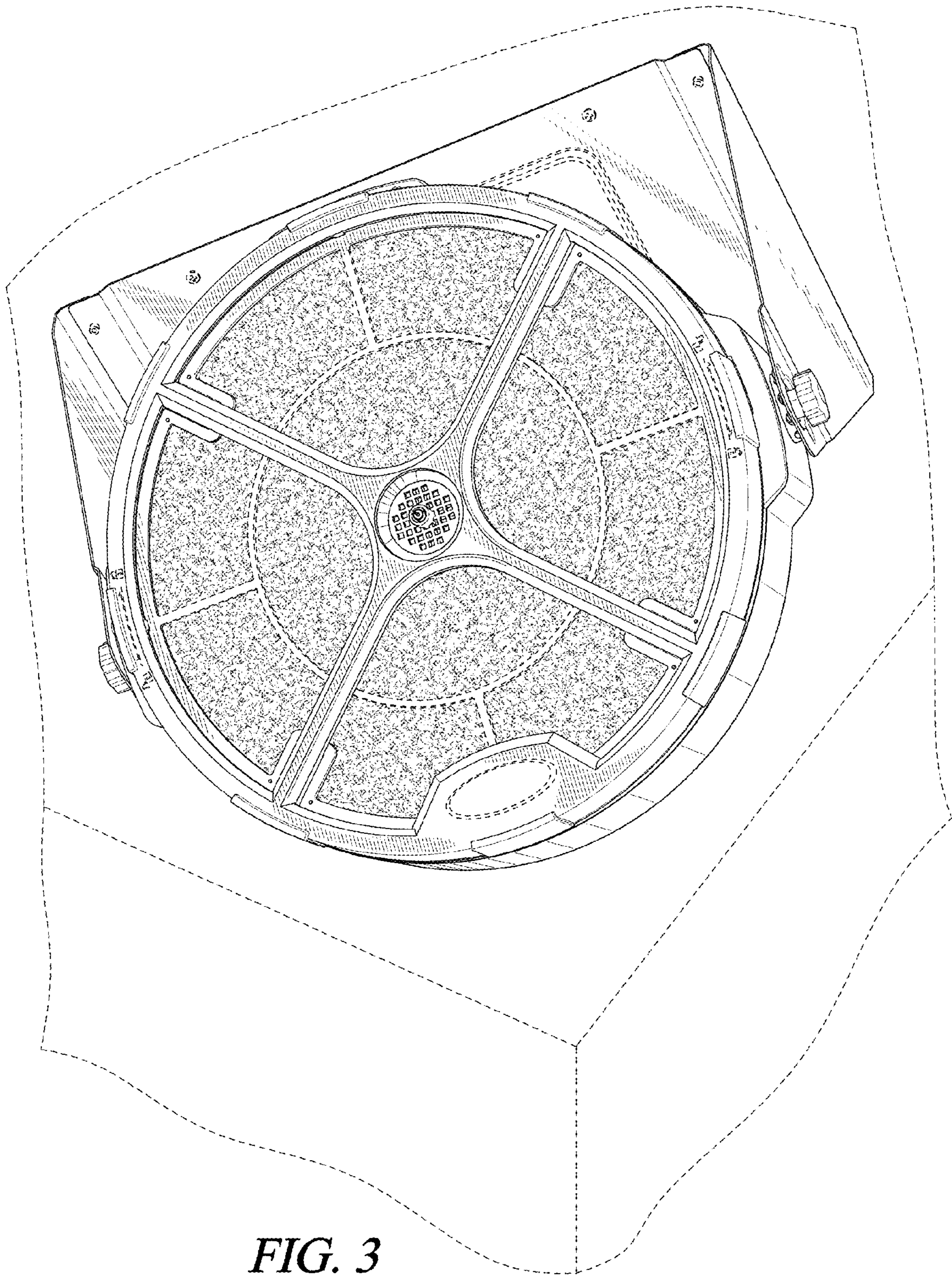


FIG. 3

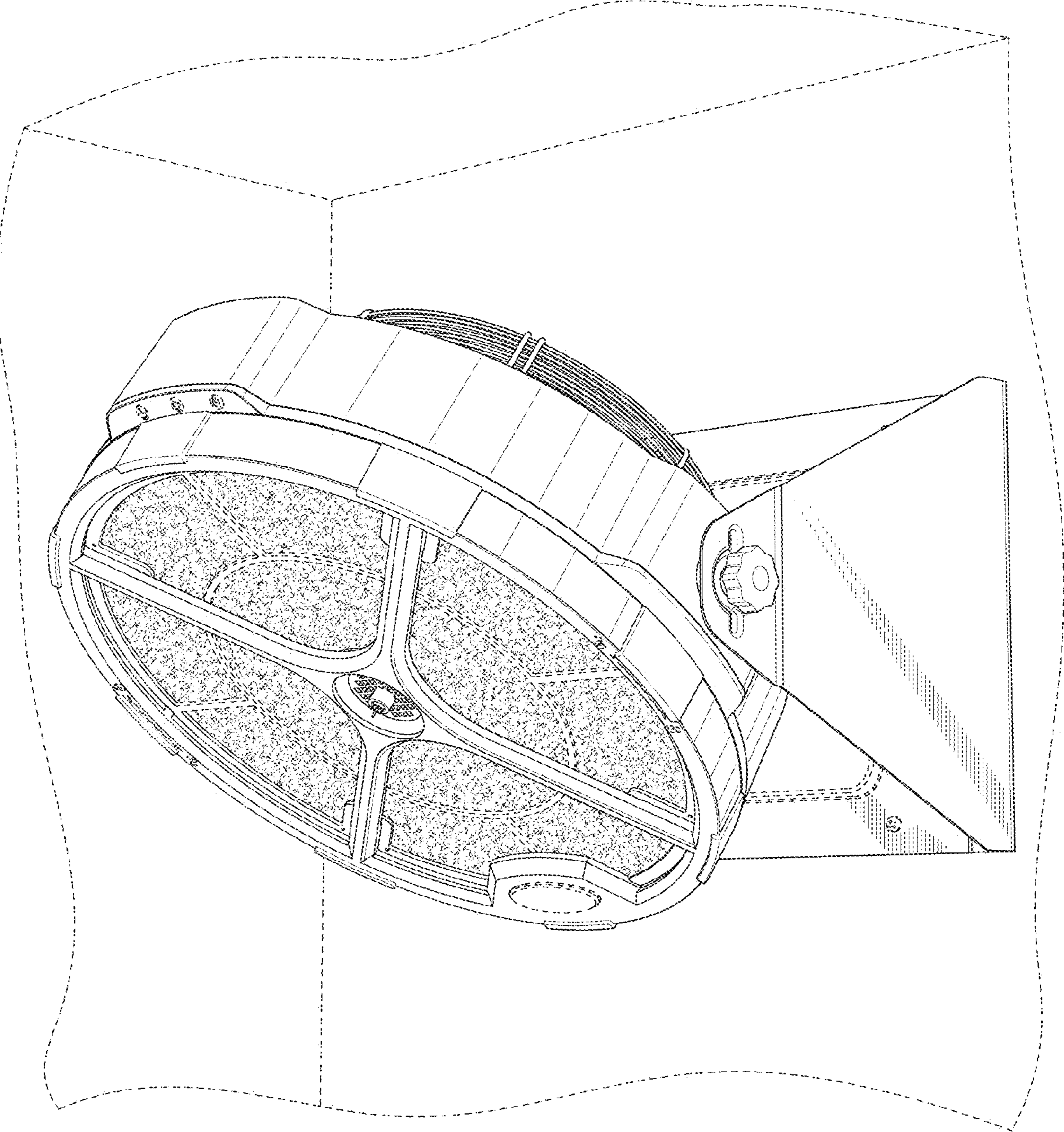


FIG. 4

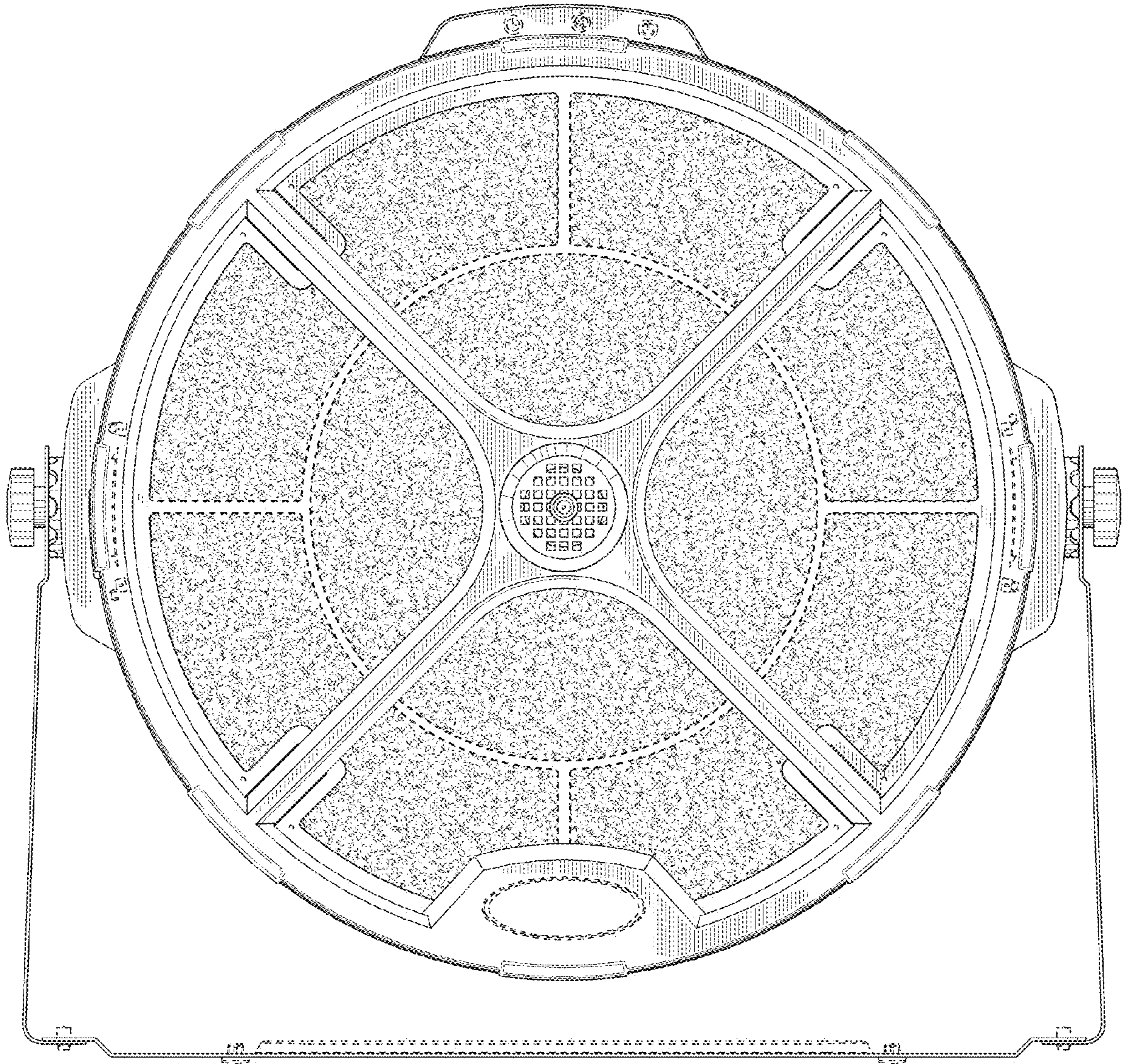


FIG. 5

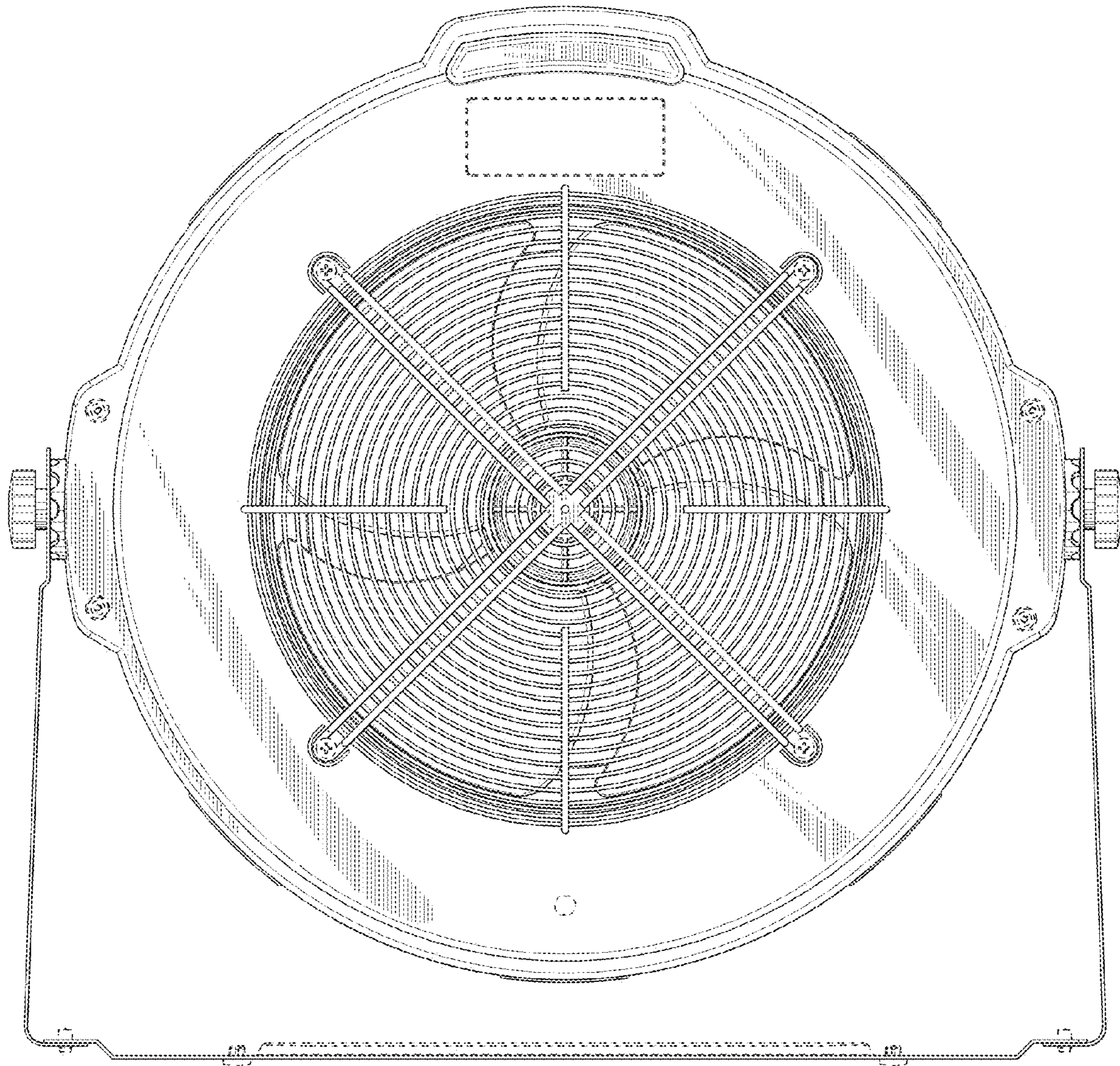


FIG. 6

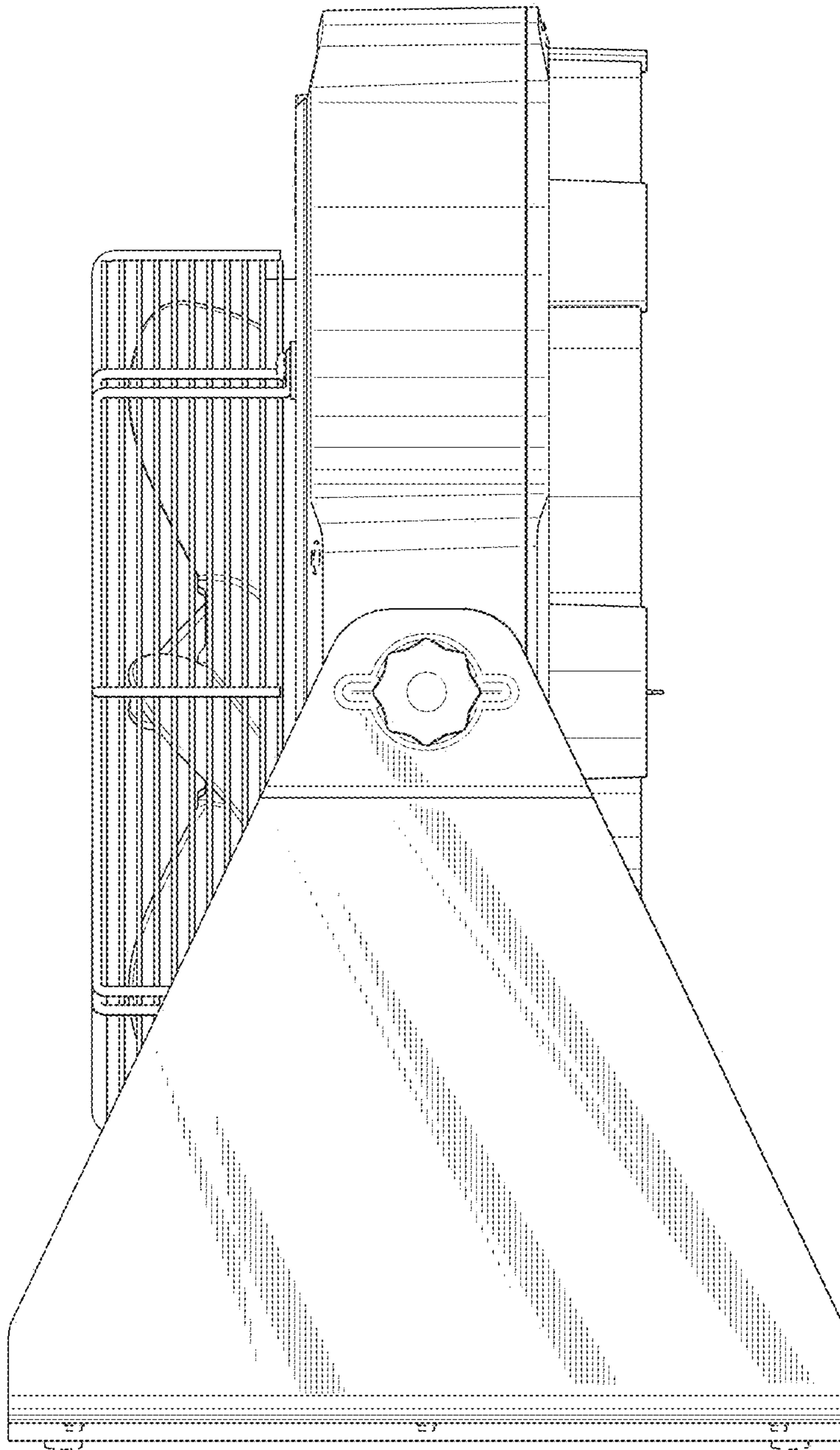


FIG. 7

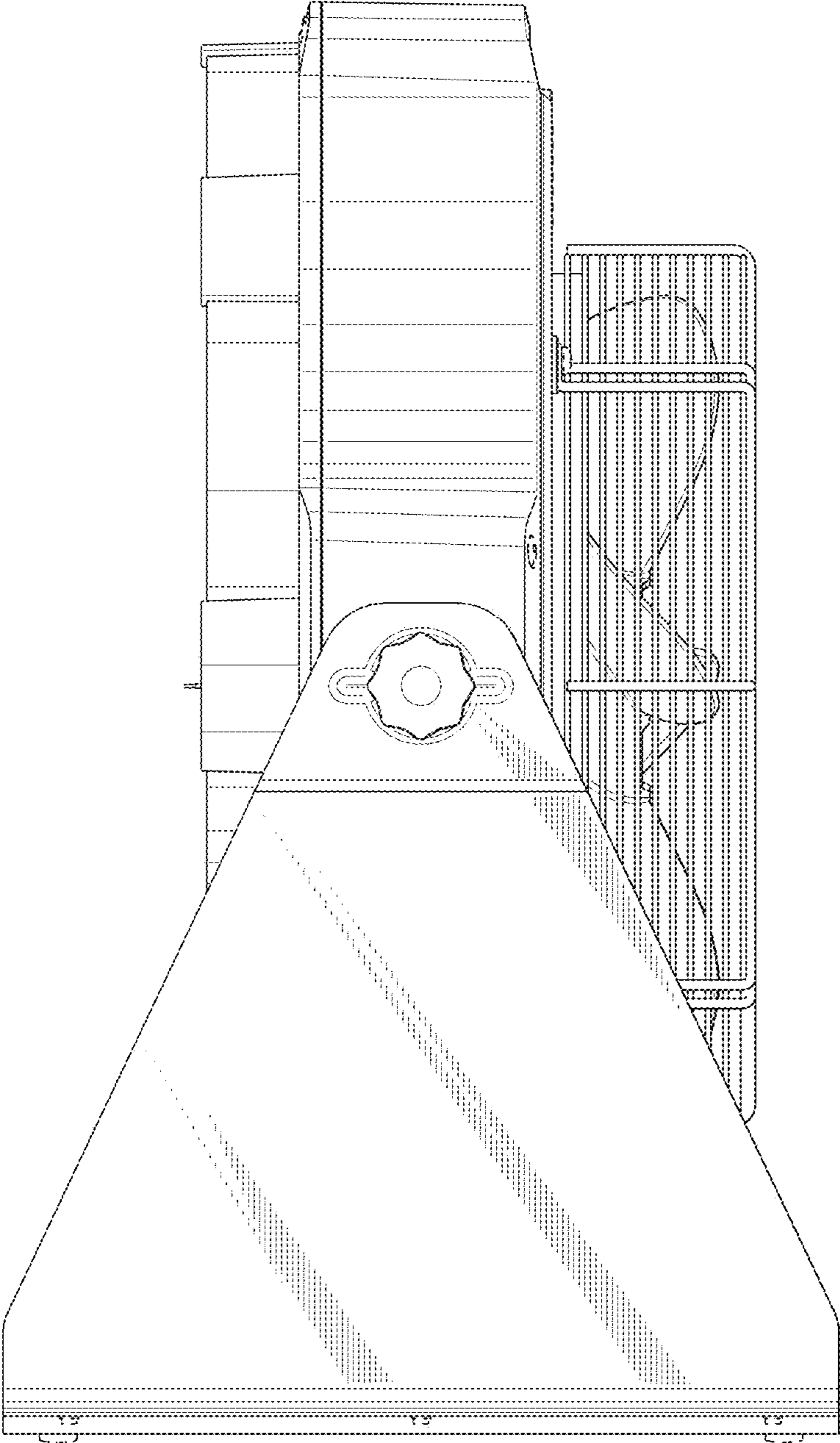


FIG. 8

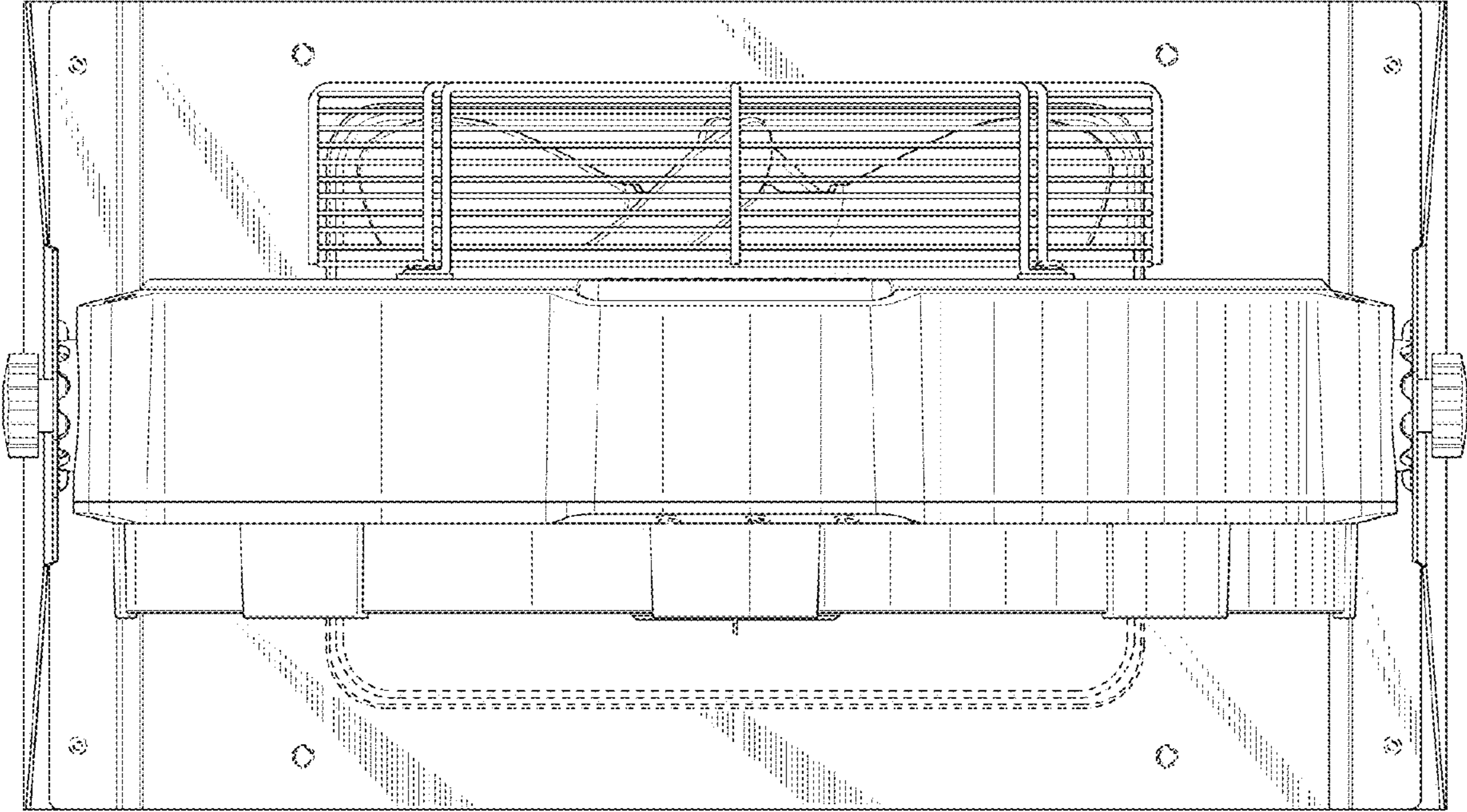


FIG. 9

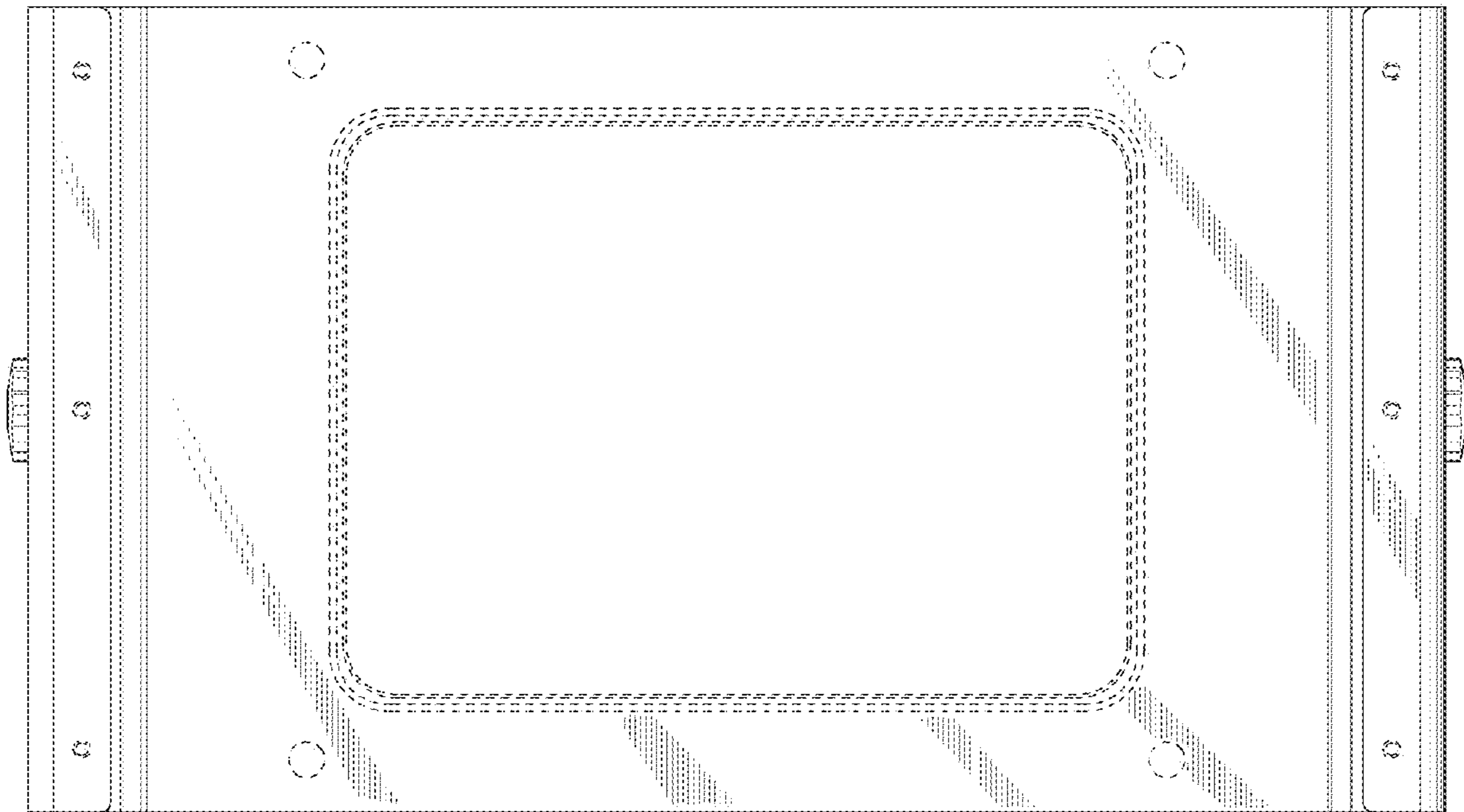


FIG. 10