



US00D875234S

(12) **United States Design Patent**
Bertoli et al.

(10) **Patent No.:** **US D875,234 S**

(45) **Date of Patent:** **** Feb. 11, 2020**

- (54) **CHIMNEY CAP**
- (71) Applicant: **2553774 Ontario Inc.**, Whitby (CA)
- (72) Inventors: **Lukasz Bertoli**, Vittorio Veneto (IT);
Alessio Abdolahian, Vittorio Veneto (IT);
Davide Bignù, Vittorio Veneto (IT)
- (73) Assignee: **FORNO VENETZIA CORPORATION**, Whitby, Ontario (CA)
- (**) Term: **15 Years**
- (21) Appl. No.: **29/638,982**
- (22) Filed: **Mar. 2, 2018**
- (51) **LOC (12) Cl.** **23-04**
- (52) **U.S. Cl.**
USPC **D23/374**
- (58) **Field of Classification Search**
USPC D25/56, 141, 199, 60, 119, 162;
D23/343-348, 370, 371, 373-376,
D23/378-386, 393
CPC E04D 13/0305; E04D 13/0315; E04D
13/1475; E04F 17/02; E04F 17/026
See application file for complete search history.

- 4,437,687 A * 3/1984 Wilson E04D 13/1407
285/136.1
- D310,874 S * 9/1990 Utley, Jr. D13/102
- 5,125,198 A * 6/1992 Giumenta E04F 17/026
285/424
- D416,615 S * 11/1999 Brummer D23/373
- D489,834 S * 5/2004 Weston D25/199
- D493,511 S * 7/2004 Traut D23/260
- D494,662 S * 8/2004 Traut D23/260
- D629,093 S * 12/2010 Polston D23/373
- D655,792 S * 3/2012 Teixeira D23/260
- D677,375 S * 3/2013 Arnold, Jr. D23/373

(Continued)

OTHER PUBLICATIONS

EcoVent USA Rain Cap With Spark Arrester for 6 Inch Inner Diameter Pipe, date first available Dec. 28, 2016, site visited Sep. 20, 2019, Copyright™ 1996-2019, available at www.amazon.com.*

Primary Examiner — Cathron C Brooks

Assistant Examiner — Sharon S Oum

(74) *Attorney, Agent, or Firm* — Westman, Champlin & Koehler, P.A.

(57) **CLAIM**

The ornamental design for a chimney cap, as shown and described.

DESCRIPTION

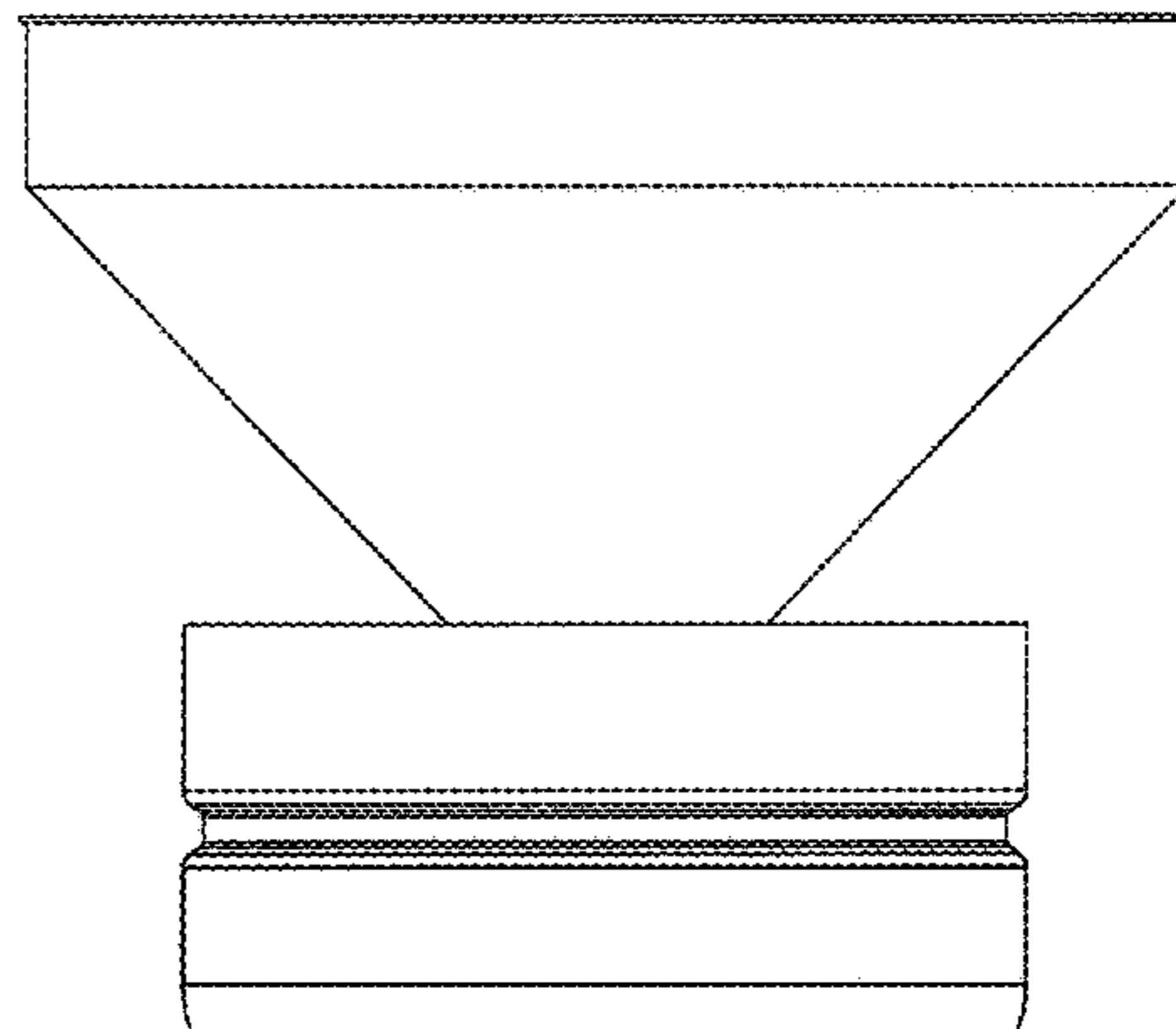
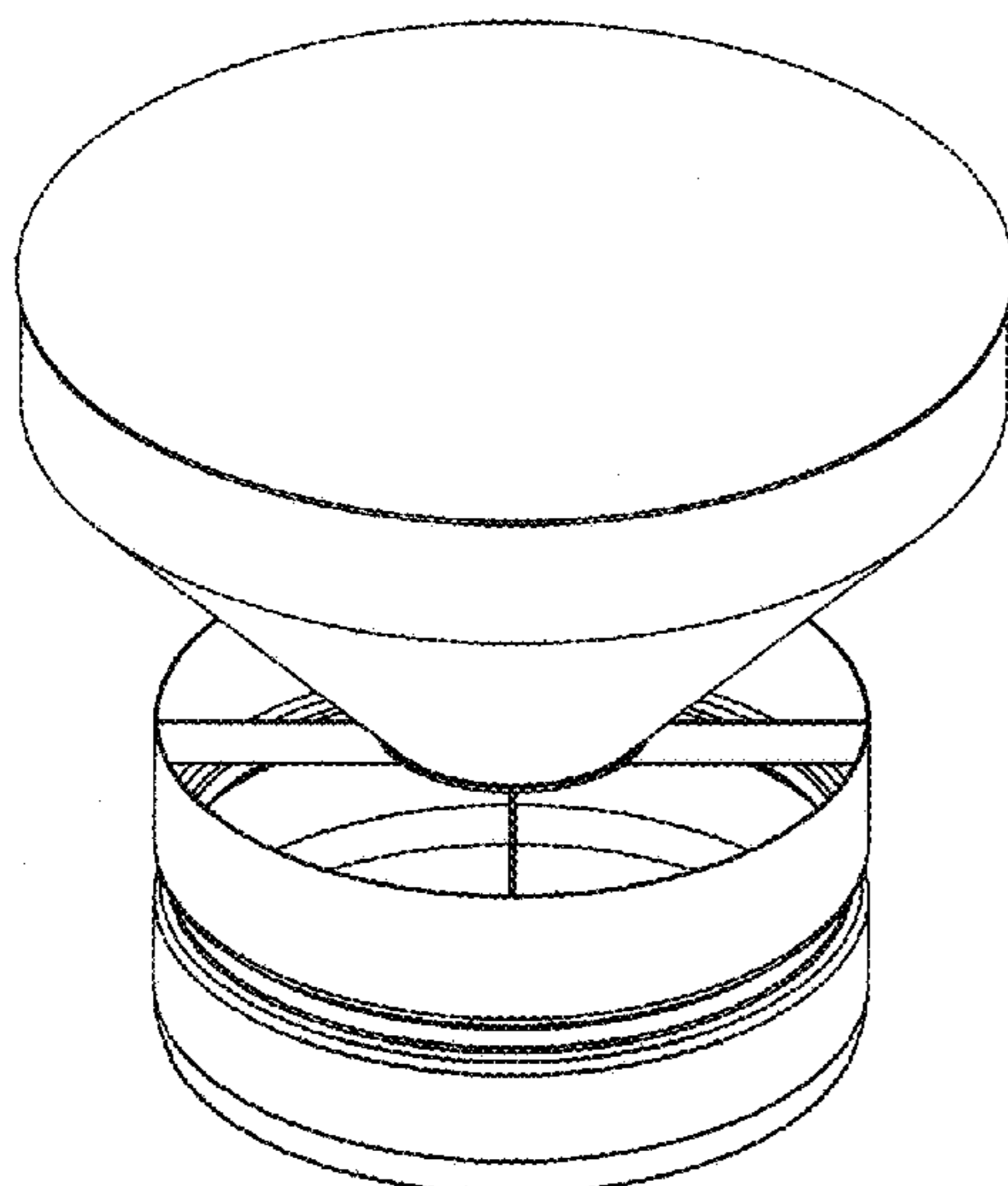
FIG. 1 is a top perspective view of the design.
FIG. 2 is another top perspective view of the design.
FIG. 3 is a bottom perspective view of the design.
FIG. 4 is another bottom perspective view of the design.
FIG. 5 is yet another bottom perspective view of the design.
FIG. 6 is a top view of the design.
FIG. 7 is a bottom view of the design; and,
FIG. 8 is a front view of the design, the left, right and back views being identical to the front view.

1 Claim, 8 Drawing Sheets

(56) **References Cited**

U.S. PATENT DOCUMENTS

- 410,660 A * 9/1889 Turner F23J 13/08
454/4
- 620,472 A * 2/1899 Martin F23L 17/02
454/38
- D104,249 S * 4/1937 Forster D23/385
- 2,207,956 A * 7/1940 Timms F24F 5/0017
62/291
- D135,628 S * 5/1943 Heiman D23/374
- 2,956,495 A * 10/1960 Sublette E04D 13/1475
454/36
- D255,487 S * 6/1980 Foley D23/374



(56)

References Cited

U.S. PATENT DOCUMENTS

D689,174 S	*	9/2013	Wulf	D23/333
D767,112 S	*	9/2016	Williams	D23/386
D802,730 S	*	11/2017	Arnold, Jr.	D23/374
D804,628 S	*	12/2017	Fiser	D23/373

* cited by examiner

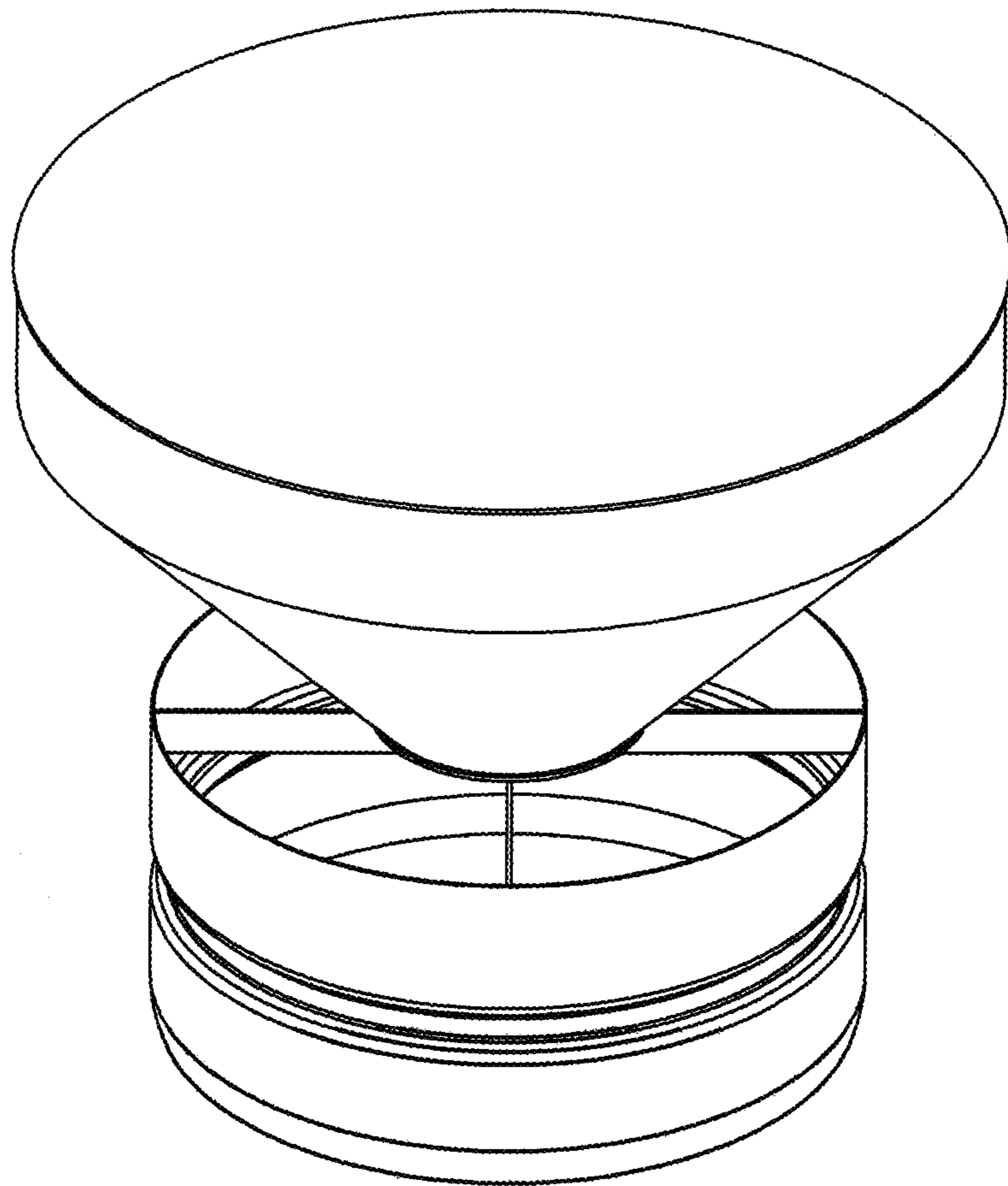


FIG. 1

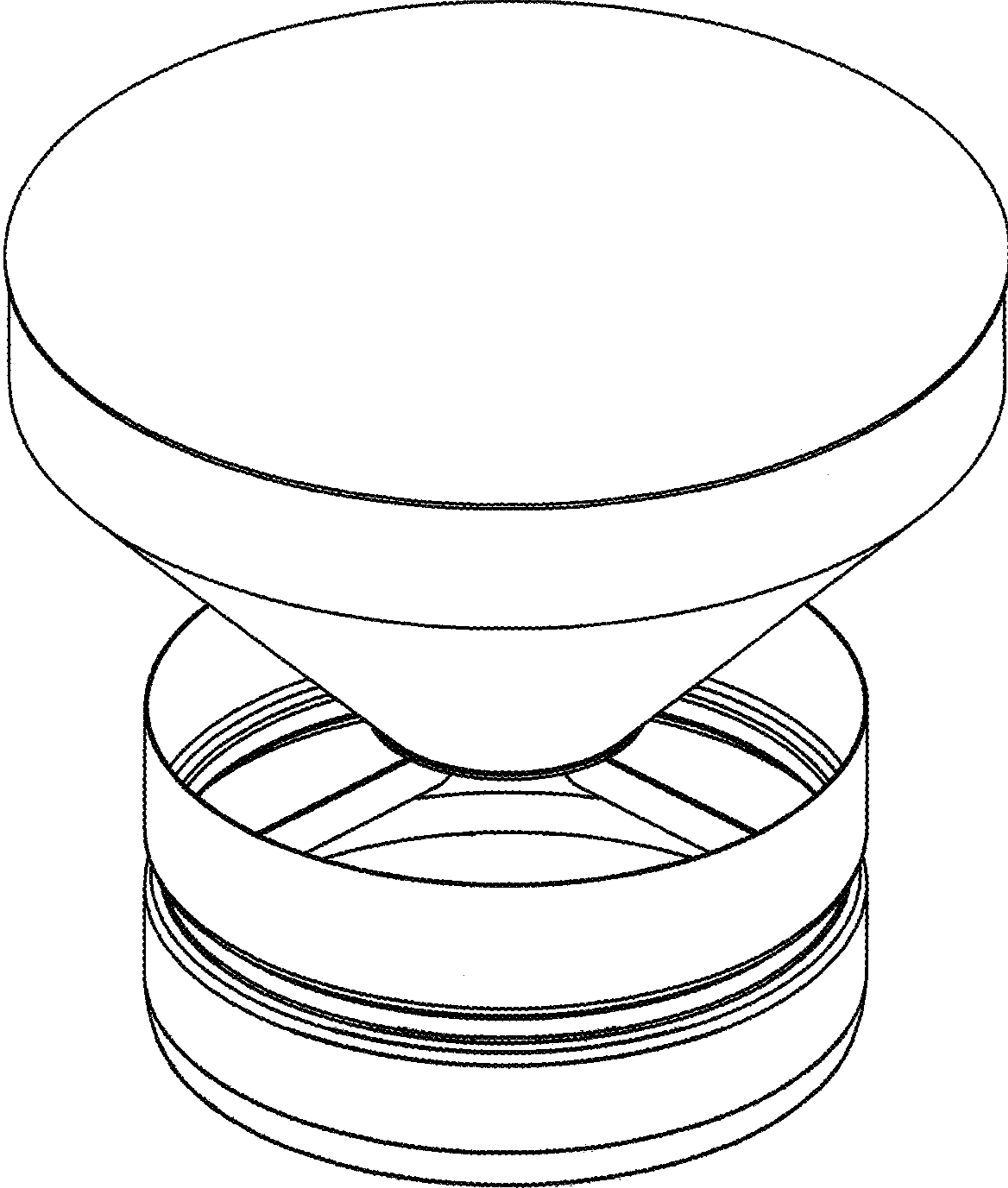


FIG. 2

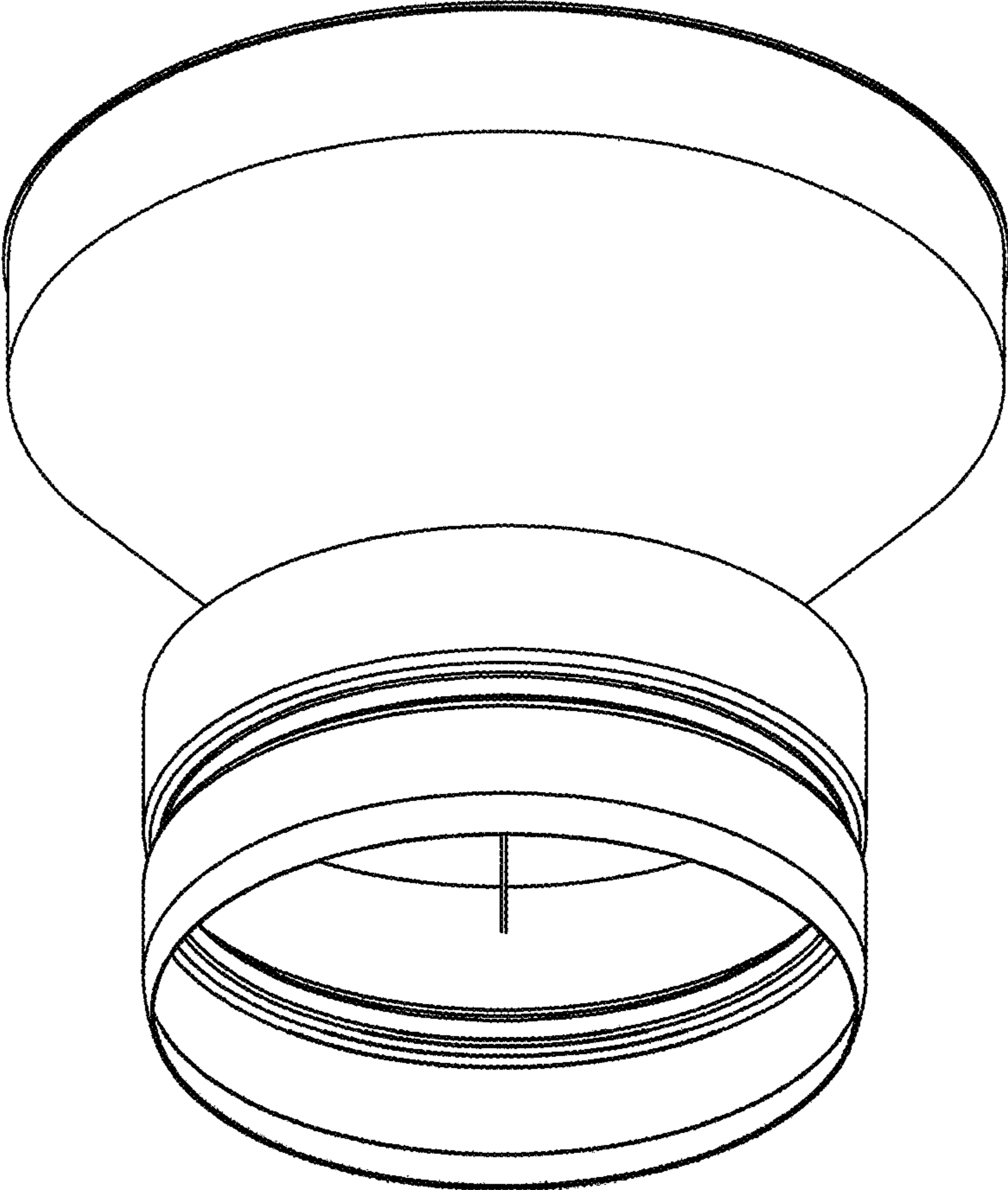


FIG. 3

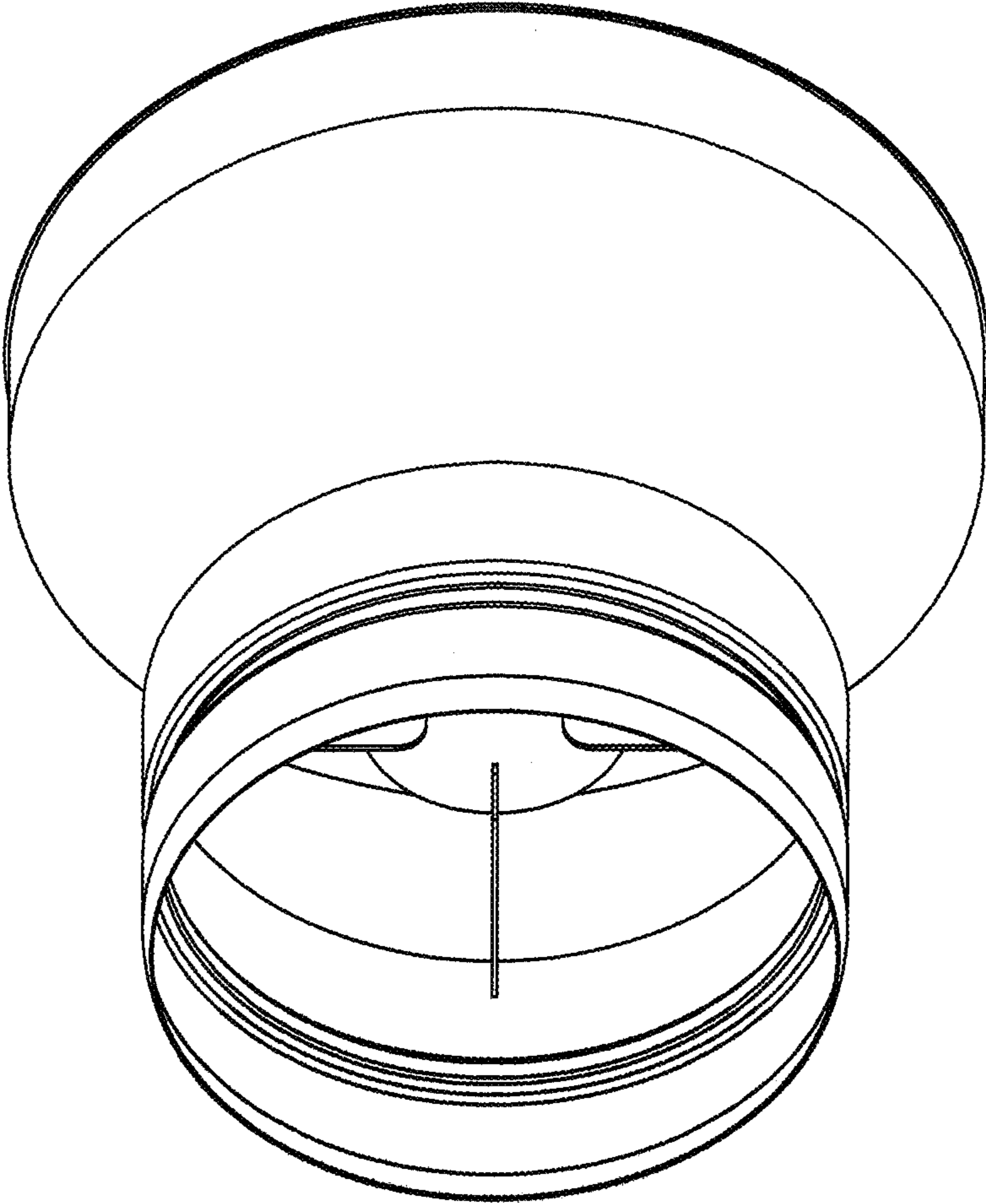


FIG. 4

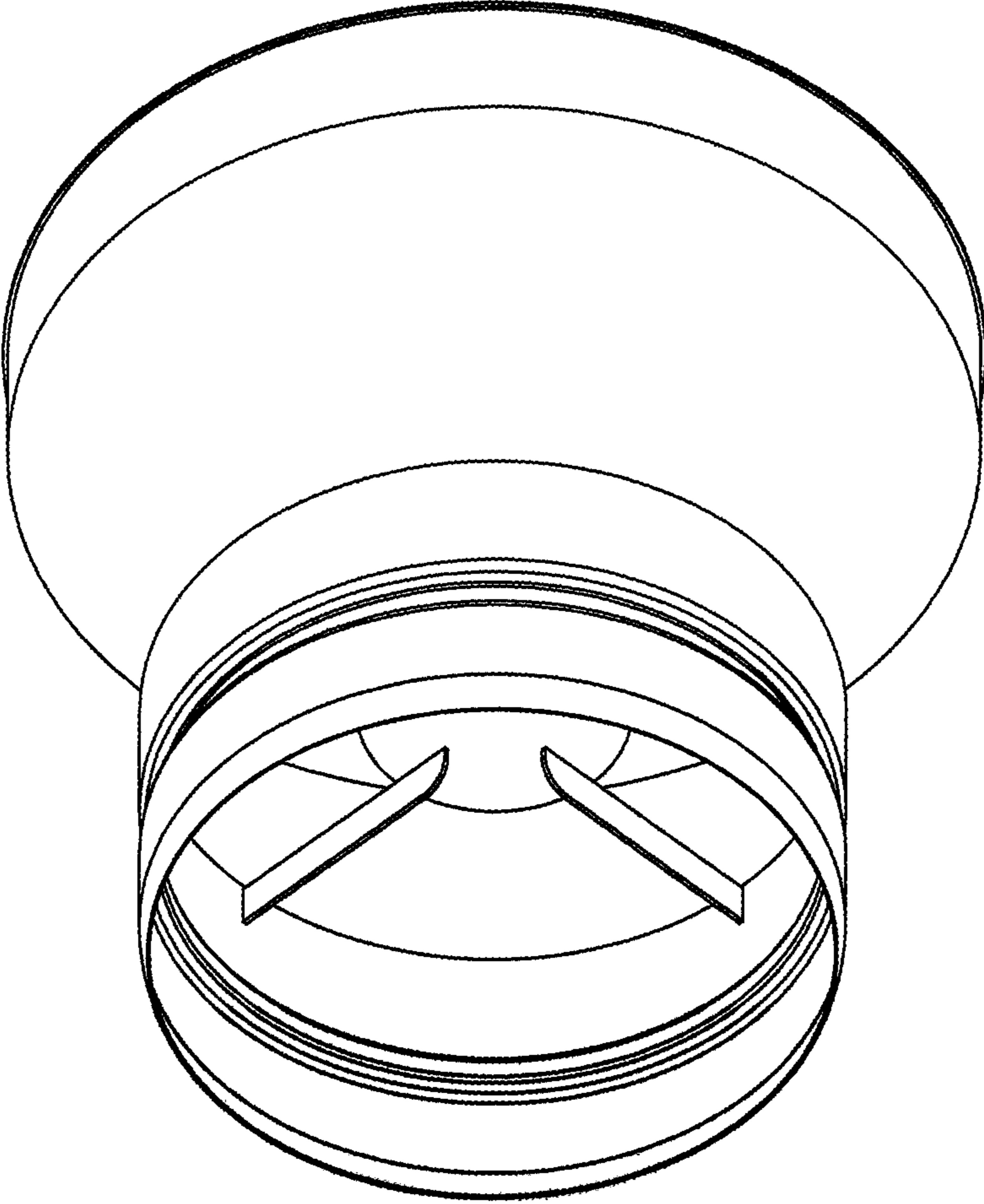


FIG. 5

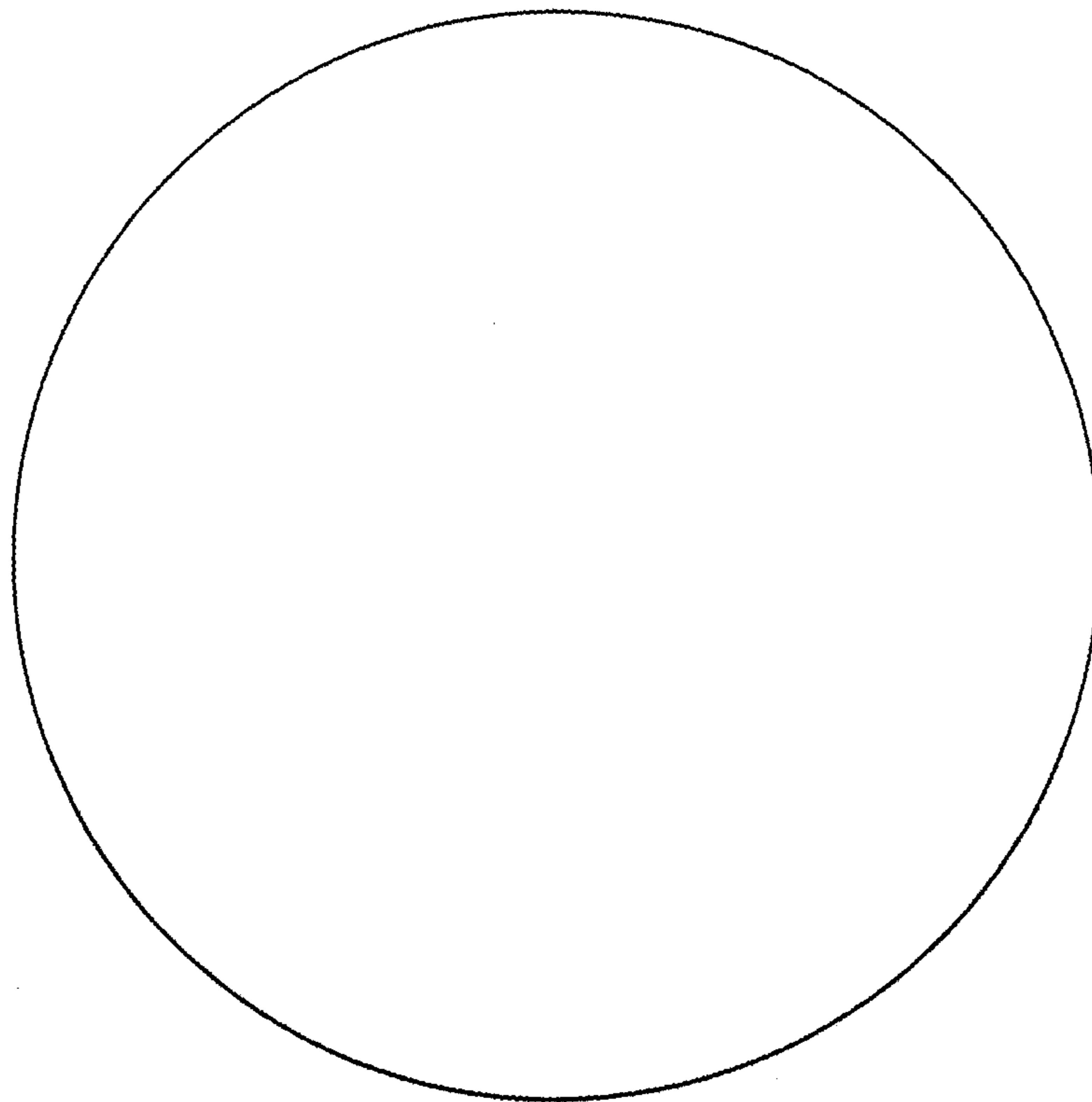


FIG. 6

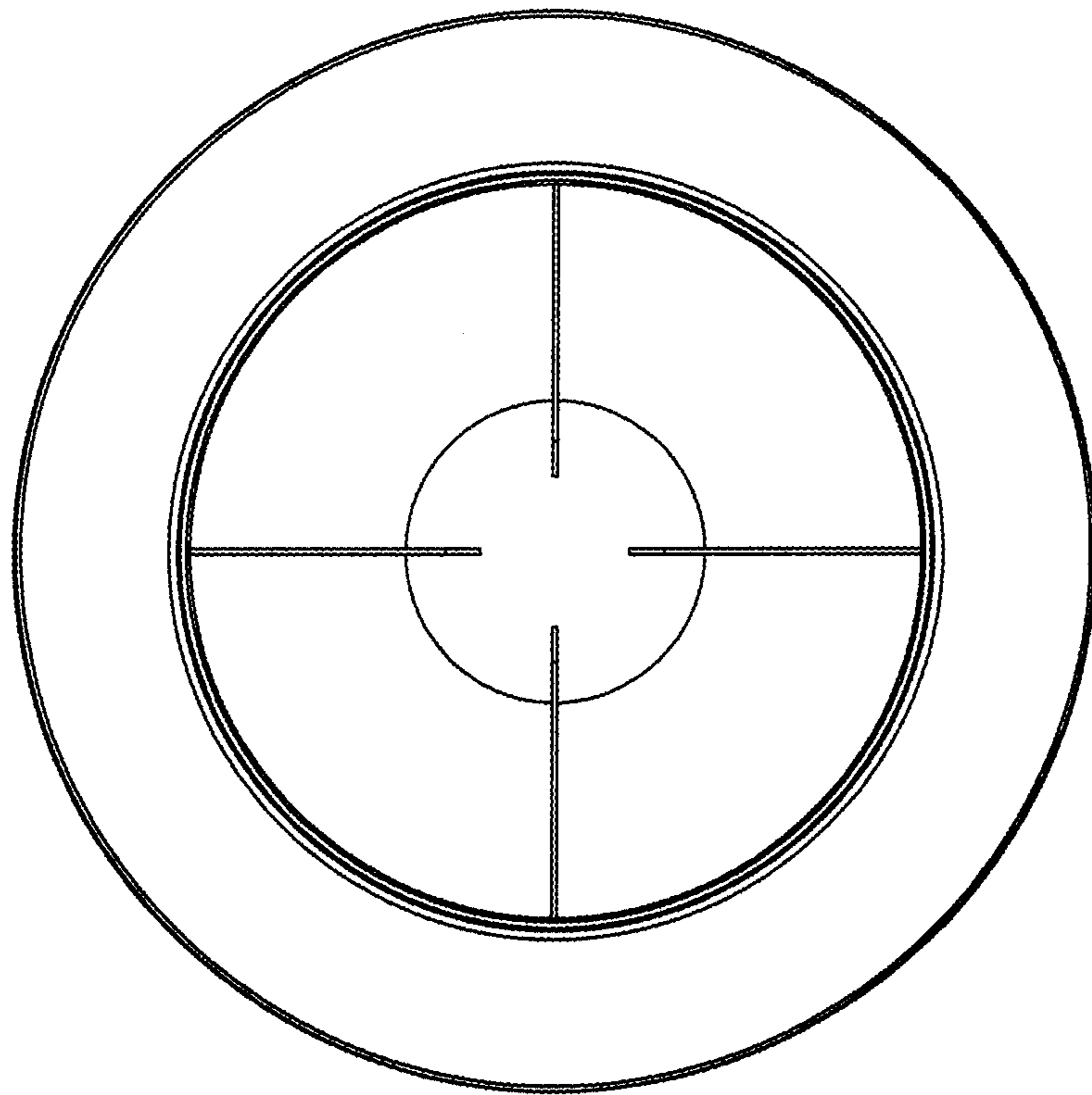


FIG. 7

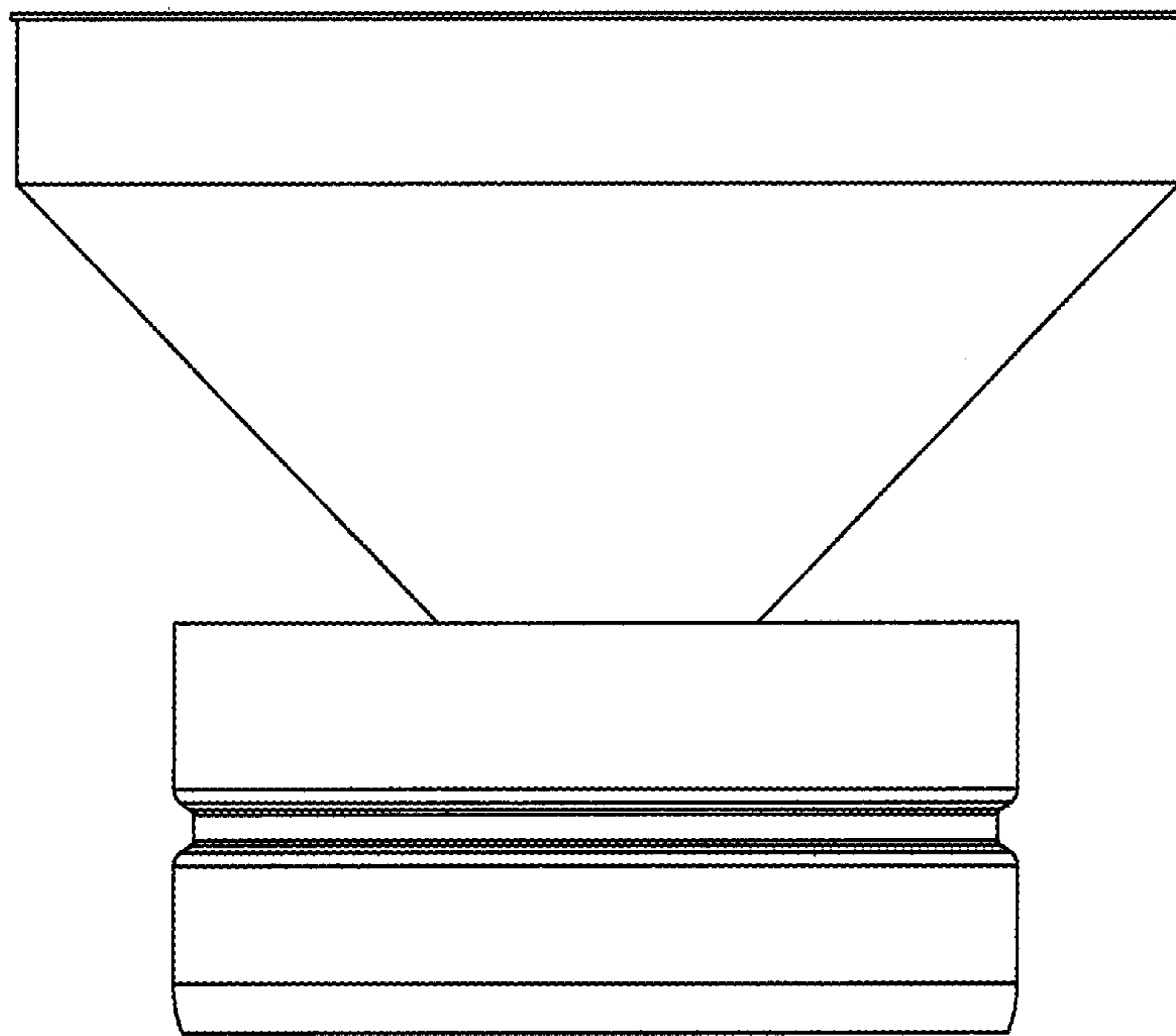


FIG. 8