



US00D875232S

(12) **United States Design Patent**
Ediger et al.

(10) **Patent No.:** **US D875,232 S**

(45) **Date of Patent:** **** Feb. 11, 2020**

- (54) **PORTABLE AIR CIRCULATOR**
- (71) Applicant: **Vornado Air, LLC**, Andover, KS (US)
- (72) Inventors: **Glen W. Ediger**, North Newton, KS (US); **Brian M. Cartwright**, Wichita, KS (US); **Gary Israel**, Andover, KS (US); **Gregory Pease**, Andover, KS (US); **Cooper Phillips**, Wichita, KS (US)
- (73) Assignee: **Vornado Air, LLC**, Andover, KS (US)
- (**) Term: **15 Years**
- (21) Appl. No.: **29/610,440**
- (22) Filed: **Jul. 12, 2017**
- (51) **LOC (12) Cl.** **23-04**
- (52) **U.S. Cl.**
USPC **D23/370; D23/332**
- (58) **Field of Classification Search**
USPC D23/314, 317, 324, 328, 332-337, 342, D23/351, 352, 355, 356, 359, 362, 364, D23/370-376, 378, 379, 381-385, D23/411-414; D16/244-245
CPC F04D 25/08; F04D 29/38; F04D 29/384; F04D 29/386; F04D 29/646
See application file for complete search history.

(56) **References Cited**

U.S. PATENT DOCUMENTS

- D323,708 S * 2/1992 Wang D23/382
- D340,516 S * 10/1993 Too D23/411

- 5,304,040 A * 4/1994 Wang F04D 29/646
248/188.2
- D357,267 S * 4/1995 Yotsuya D16/244
- D357,493 S * 4/1995 Yotsuya D16/244
- D388,869 S * 1/1998 Wang D23/378
- D541,397 S * 4/2007 Chien D23/335
- D664,182 S * 7/2012 Braunstein D16/242
- D717,360 S * 11/2014 Chun D16/244
- D741,397 S * 10/2015 Minn D16/244
- D754,318 S * 4/2016 Thirouin D23/370
- D756,498 S * 5/2016 Norman D23/355
- D778,975 S * 2/2017 Minn D16/242
- D821,483 S * 6/2018 Vitale D16/244
- 2014/0346687 A1 * 11/2014 Wozniak F04D 29/646
261/20
- 2019/0048894 A1 * 2/2019 Ediger F04D 29/668

* cited by examiner

Primary Examiner — Cathron C Brooks
Assistant Examiner — Sharon S Oum

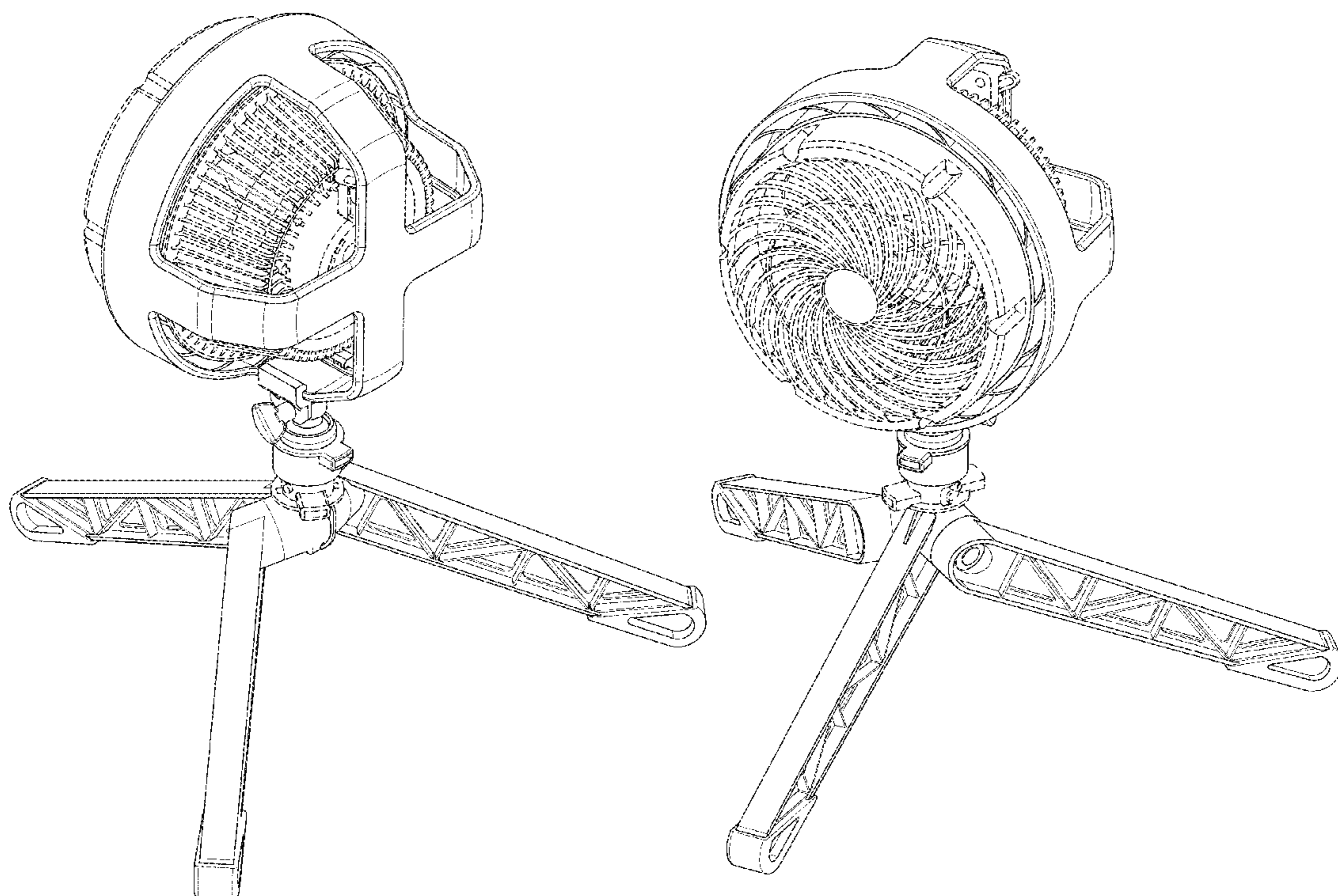
(57) **CLAIM**

The ornamental design for the portable air circulator, as shown and described.

DESCRIPTION

FIG. 1 is a front elevation view of a portable air circulator in accordance with the present invention; FIG. 2 is a left elevation view thereof; FIG. 3 is a top plan view thereof; FIG. 4 is a left, back perspective view thereof; and, FIG. 5 is a right, front perspective view thereof. The broken lines illustrate portions of the portable air circulator that form no part of the claimed design.

1 Claim, 5 Drawing Sheets



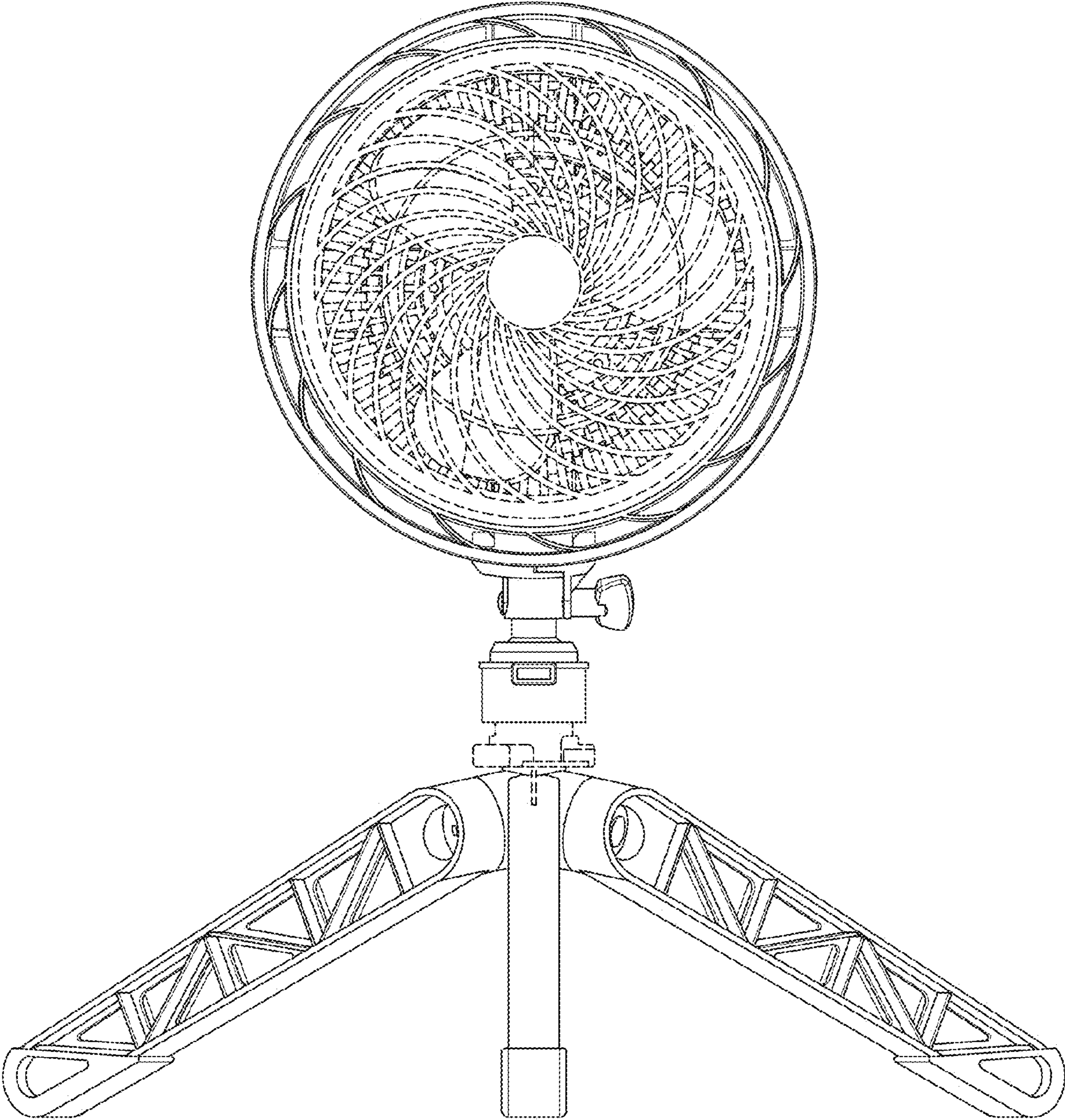


FIG. 1

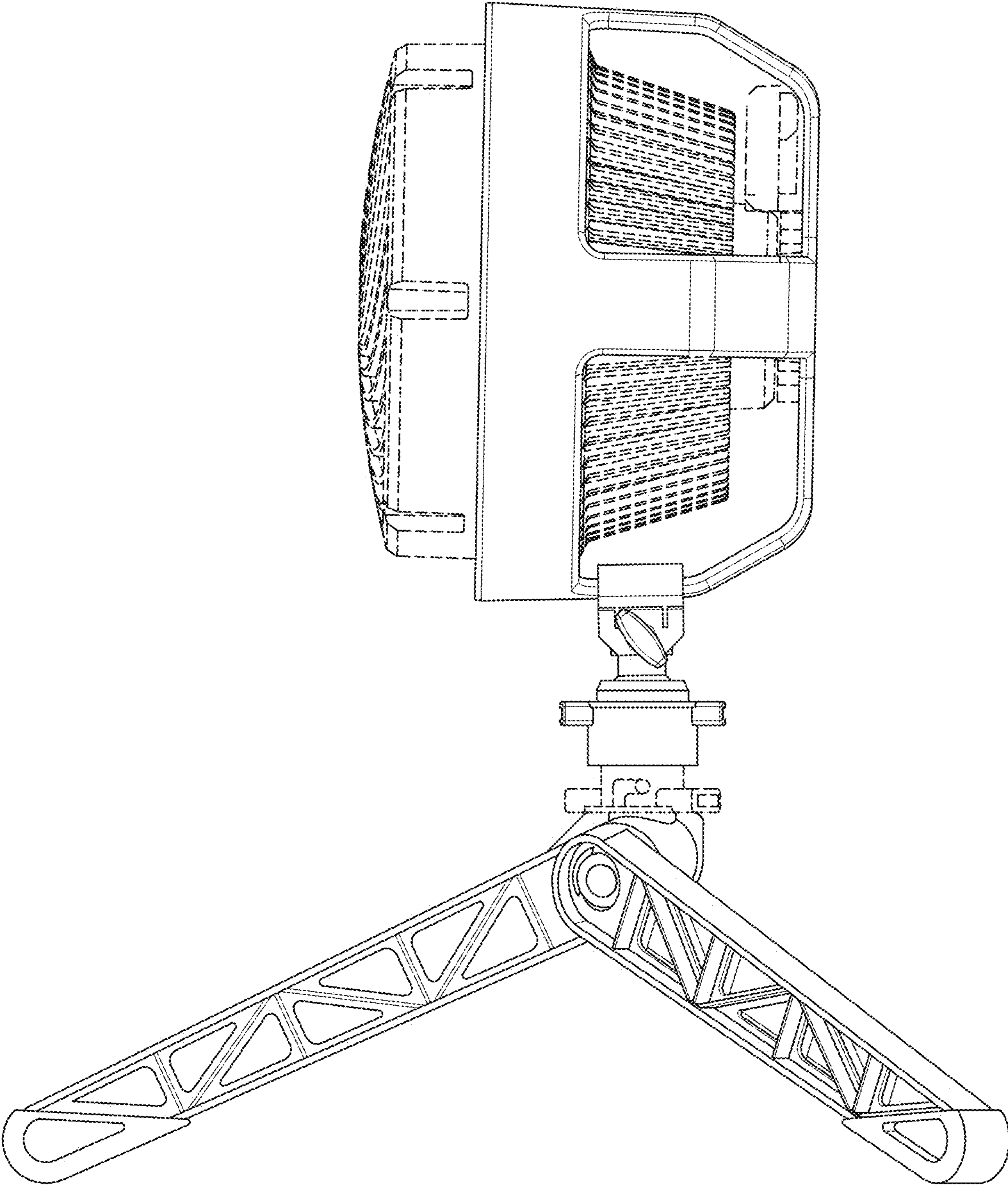


FIG. 2

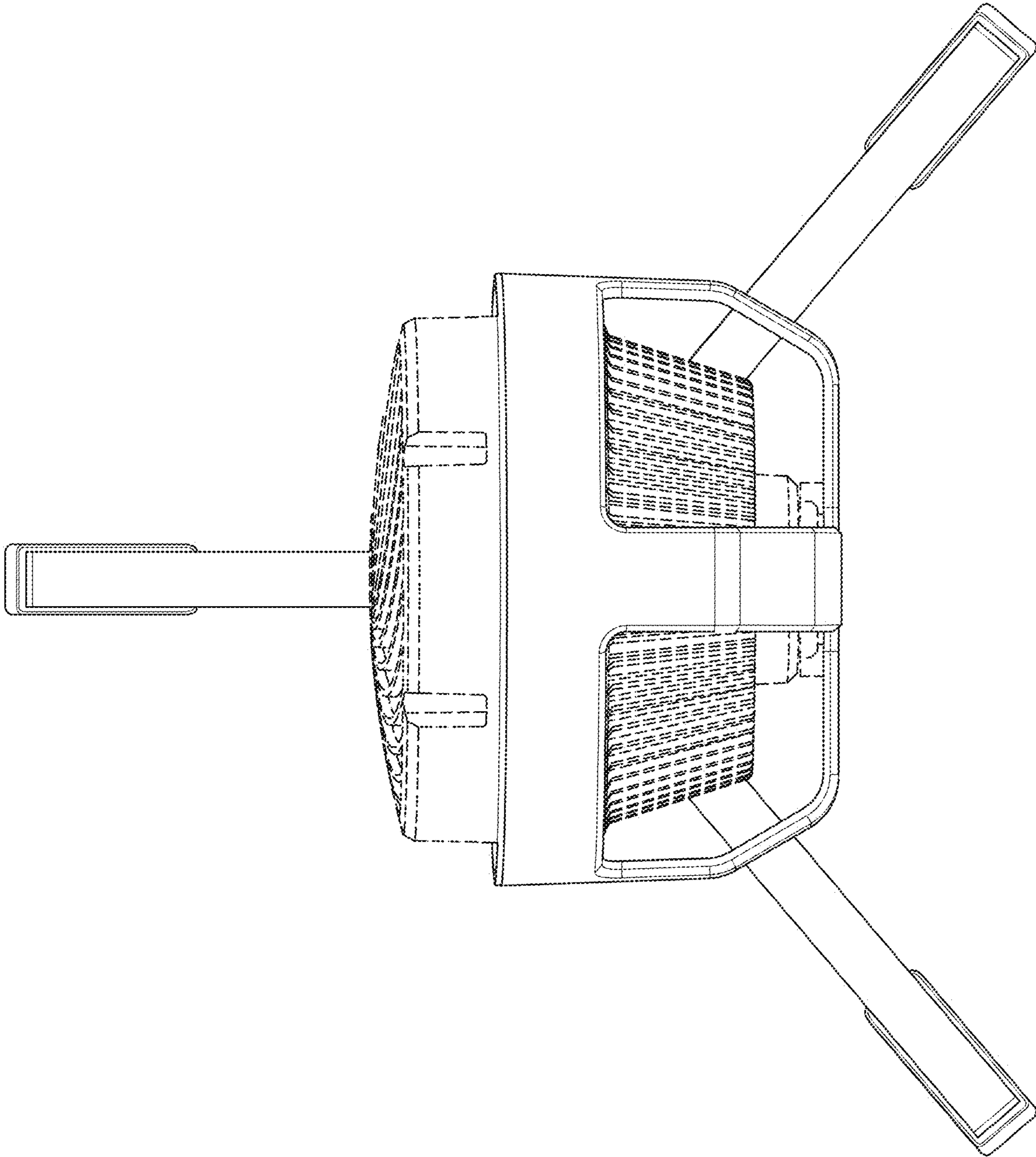


FIG. 3

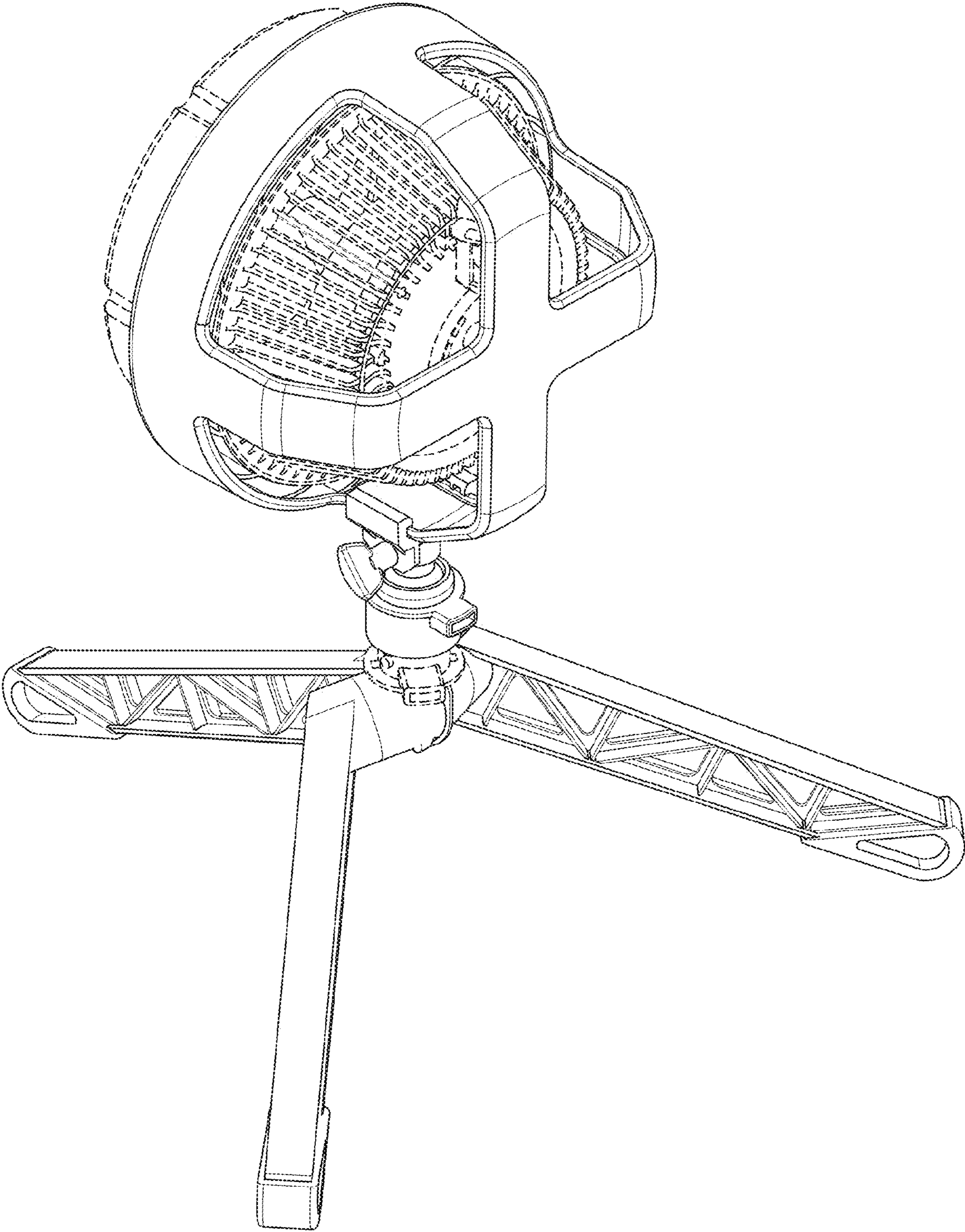


FIG. 4

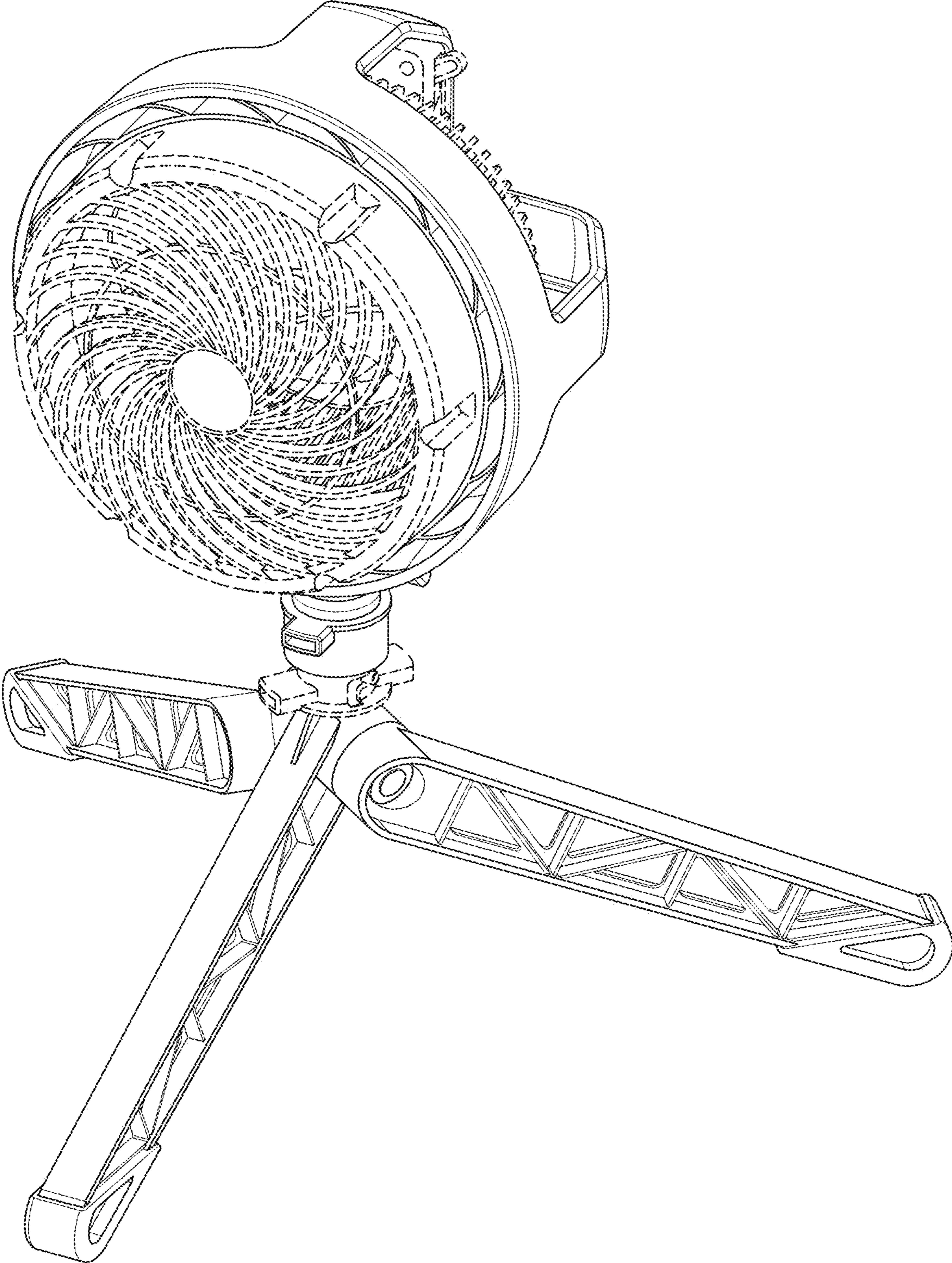


FIG. 5