



US00D875231S

(12) **United States Design Patent** (10) **Patent No.:** **US D875,231 S**  
**Ajaelo** (45) **Date of Patent:** **\*\* Feb. 11, 2020**

(54) **AUTOMATIC AEROSOL DISPENSER**  
 (71) Applicant: **Ikem Ajaelo**, Fremont, CA (US)  
 (72) Inventor: **Ikem Ajaelo**, Fremont, CA (US)  
 (\*\*) Term: **15 Years**

D616,085 S \* 5/2010 Moon ..... B65D 83/205  
 D23/364  
 7,837,065 B2 \* 11/2010 Furner ..... B65D 83/262  
 222/504  
 D672,862 S \* 12/2012 Adair ..... B65D 83/262  
 D23/366

(21) Appl. No.: **29/674,819**  
 (22) Filed: **Dec. 26, 2018**

\* cited by examiner  
*Primary Examiner* — Sheryl Lane  
*Assistant Examiner* — Calvin E Vansant

(51) **LOC (12) Cl.** ..... **23-04**  
 (52) **U.S. Cl.**  
 USPC ..... **D23/366**; D23/386  
 (58) **Field of Classification Search**  
 USPC ..... D23/208, 355–369, 386; D13/108, 110,  
 D13/144  
 CPC ..... A61L 9/02; A61L 9/03; A61L 9/12; A61L  
 9/035; A61L 9/125  
 See application file for complete search history.

(57) **CLAIM**

The ornamental design for an automatic aerosol dispenser, as shown and described.

**DESCRIPTION**

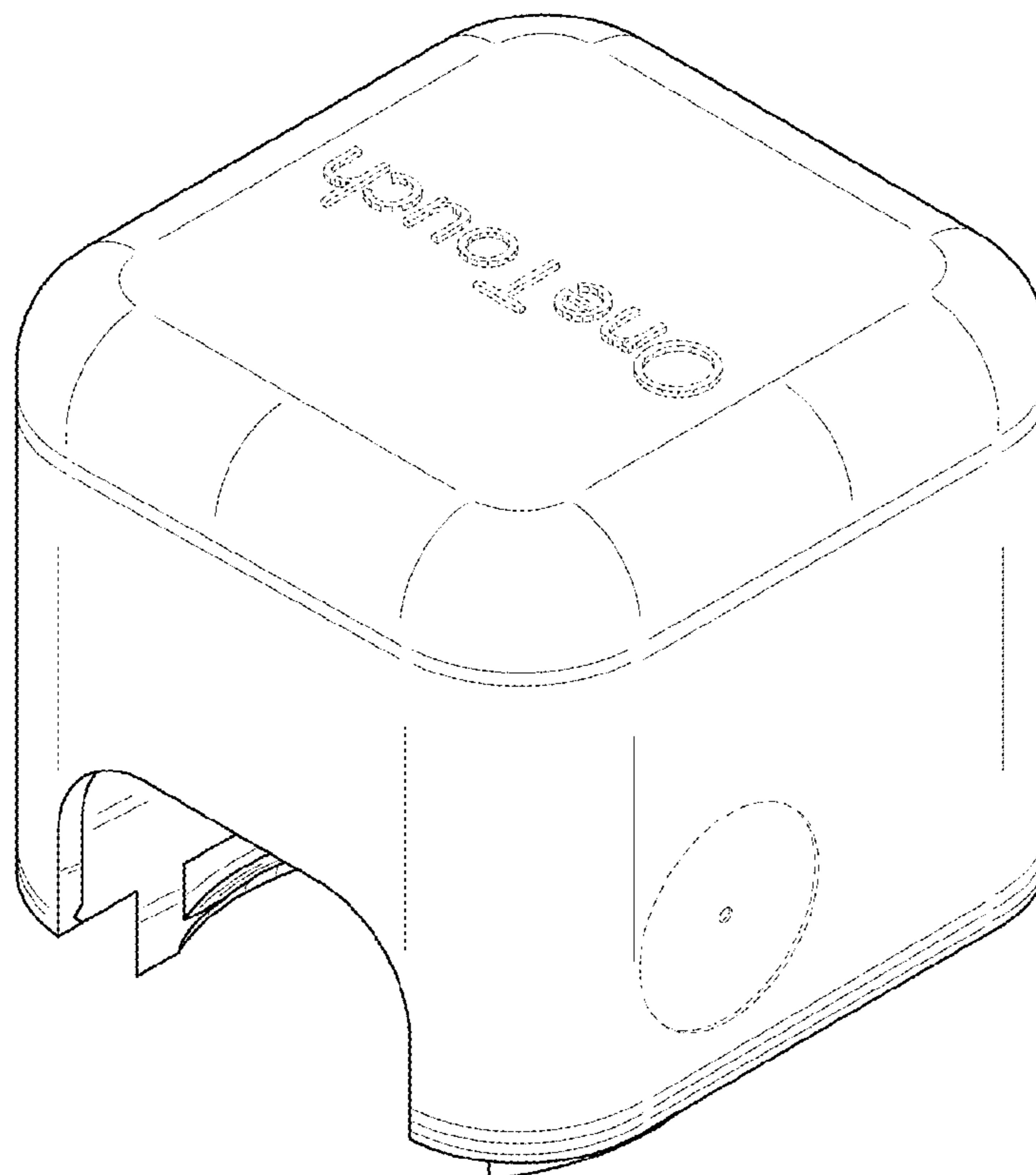
FIG. 1 is a front elevation view of an automatic aerosol dispenser showing its new design; FIG. 2 is a left side view thereof, the right side view being a mirror image thereof; FIG. 3 is a rear elevation view thereof; FIG. 4 is a top plan view thereof; FIG. 5 is a bottom plan view thereof showing some of the internal working components; and, FIG. 6 is an isometric top view thereof. The broken lines of FIGS. 1-6 illustrate portions of the automatic aerosol dispenser that form no part of the claimed design.

(56) **References Cited**

**U.S. PATENT DOCUMENTS**

5,649,645 A \* 7/1997 Demarest ..... B65D 83/205  
 222/153.07  
 5,975,377 A \* 11/1999 McGowens ..... B65D 83/205  
 222/402.13  
 6,216,925 B1 \* 4/2001 Garon ..... B65D 83/205  
 222/645  
 D460,544 S \* 7/2002 Garcia ..... D23/366  
 D561,319 S \* 2/2008 Weggelaar ..... B65D 83/205  
 D23/366

**1 Claim, 6 Drawing Sheets**



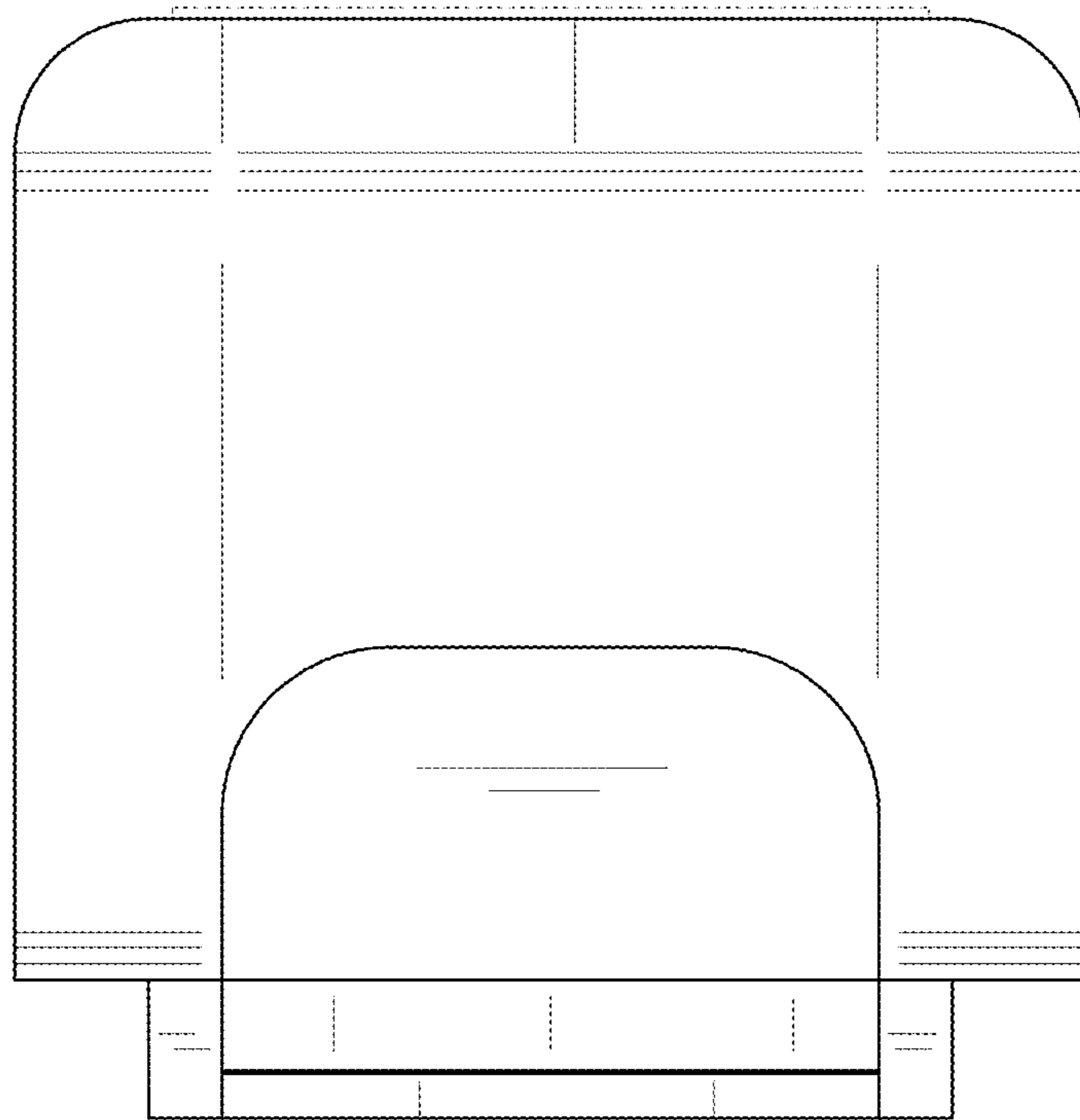


Fig. 1

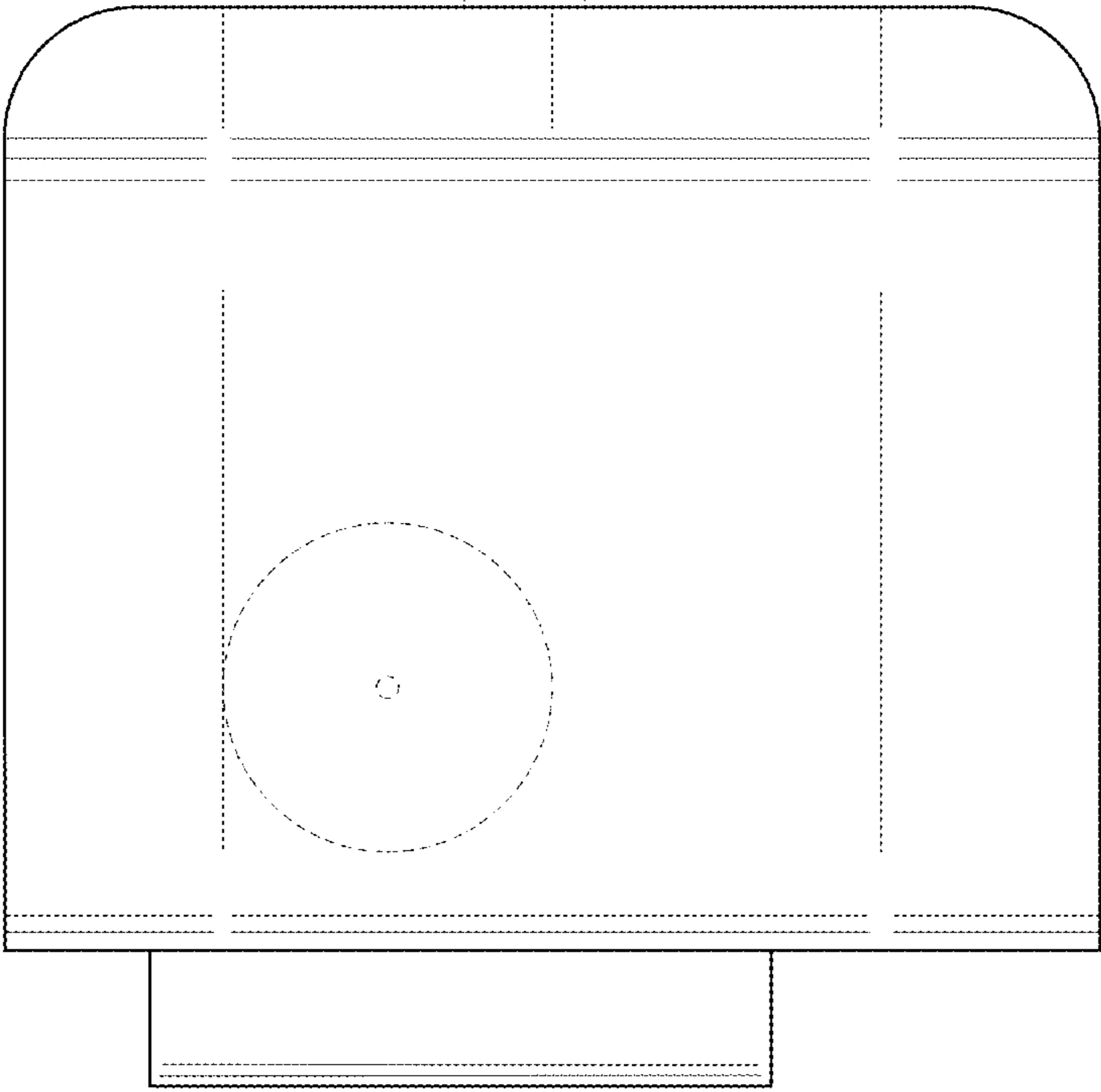


Fig. 2

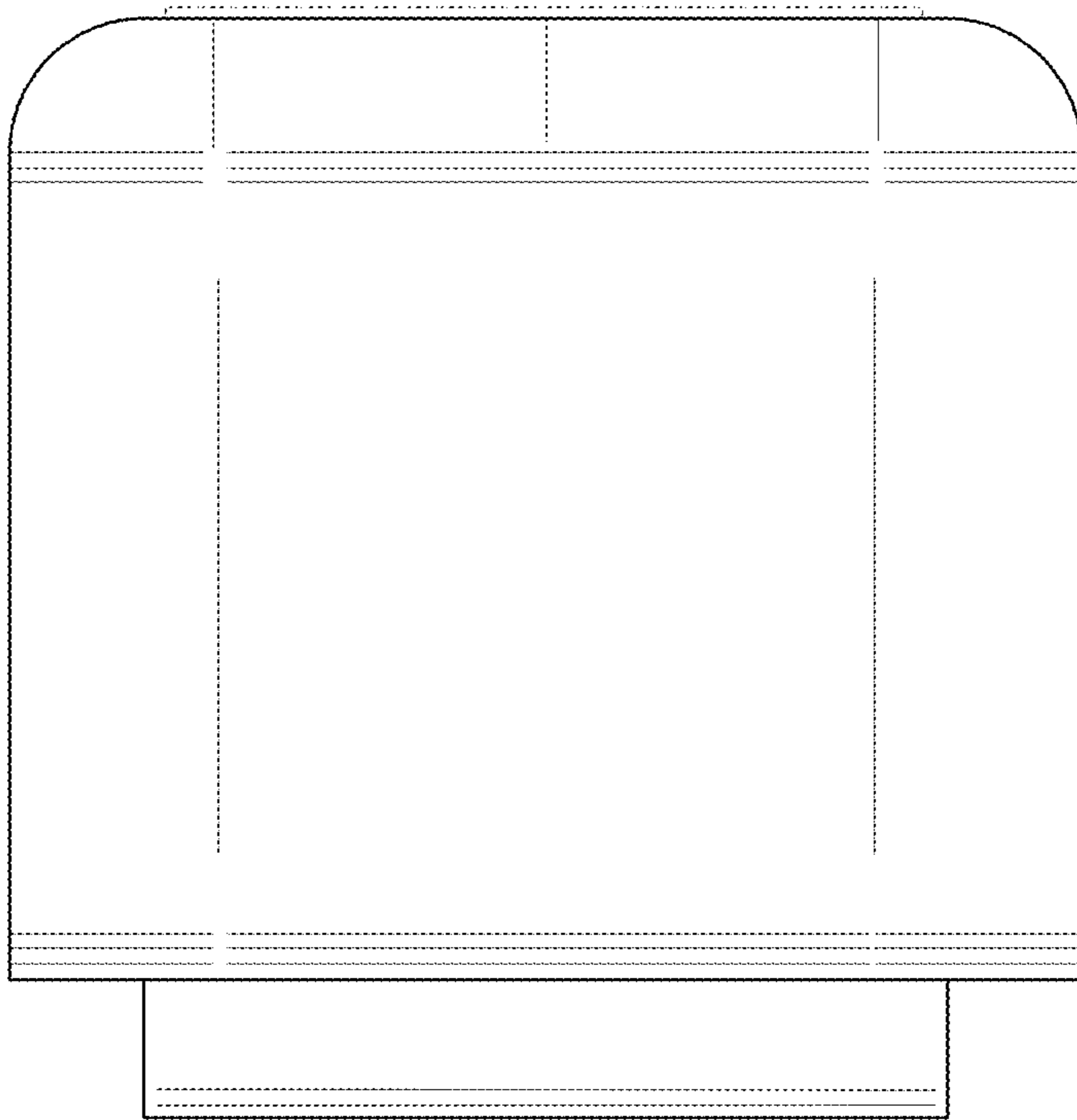


Fig. 3

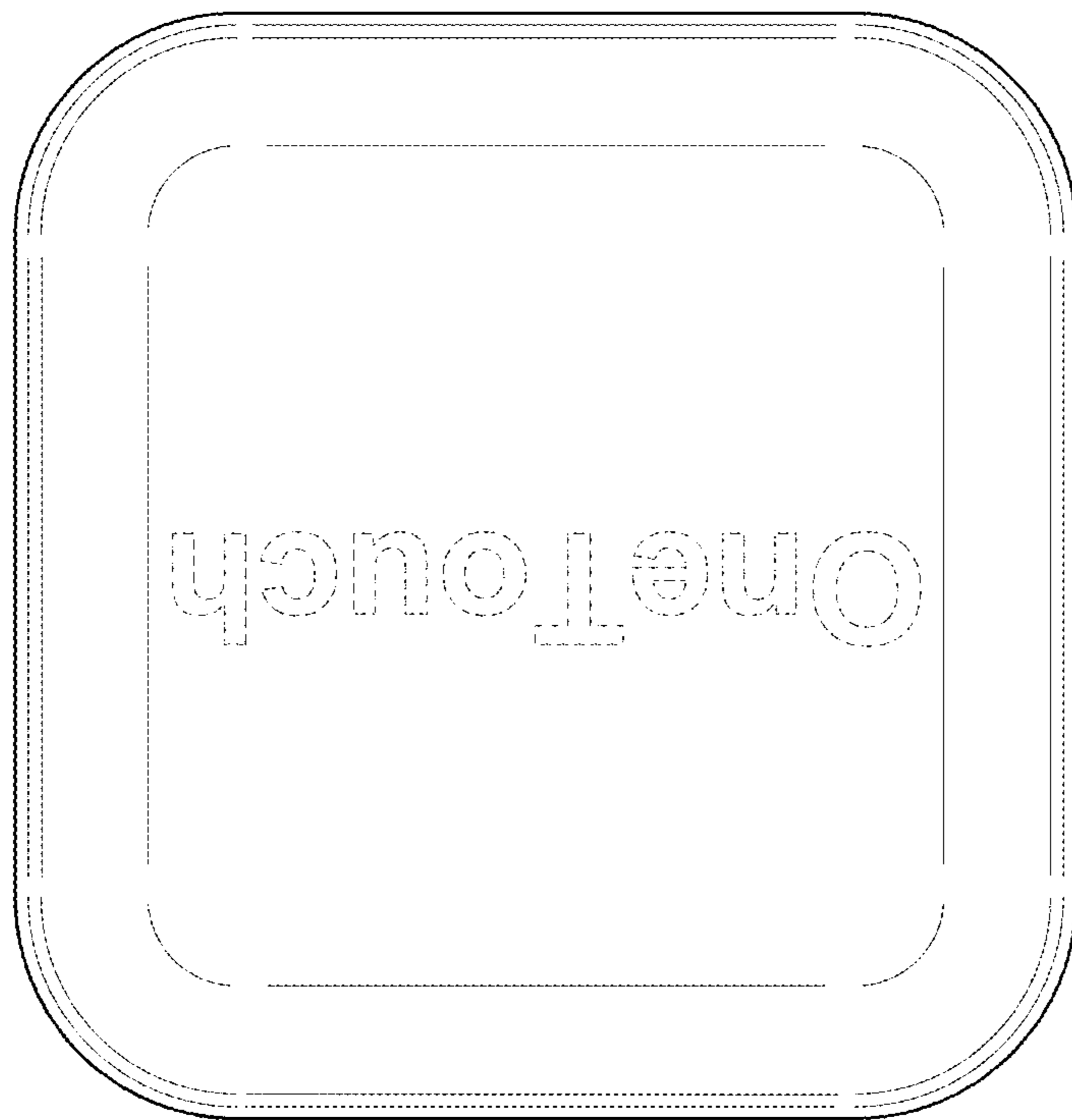


Fig. 4

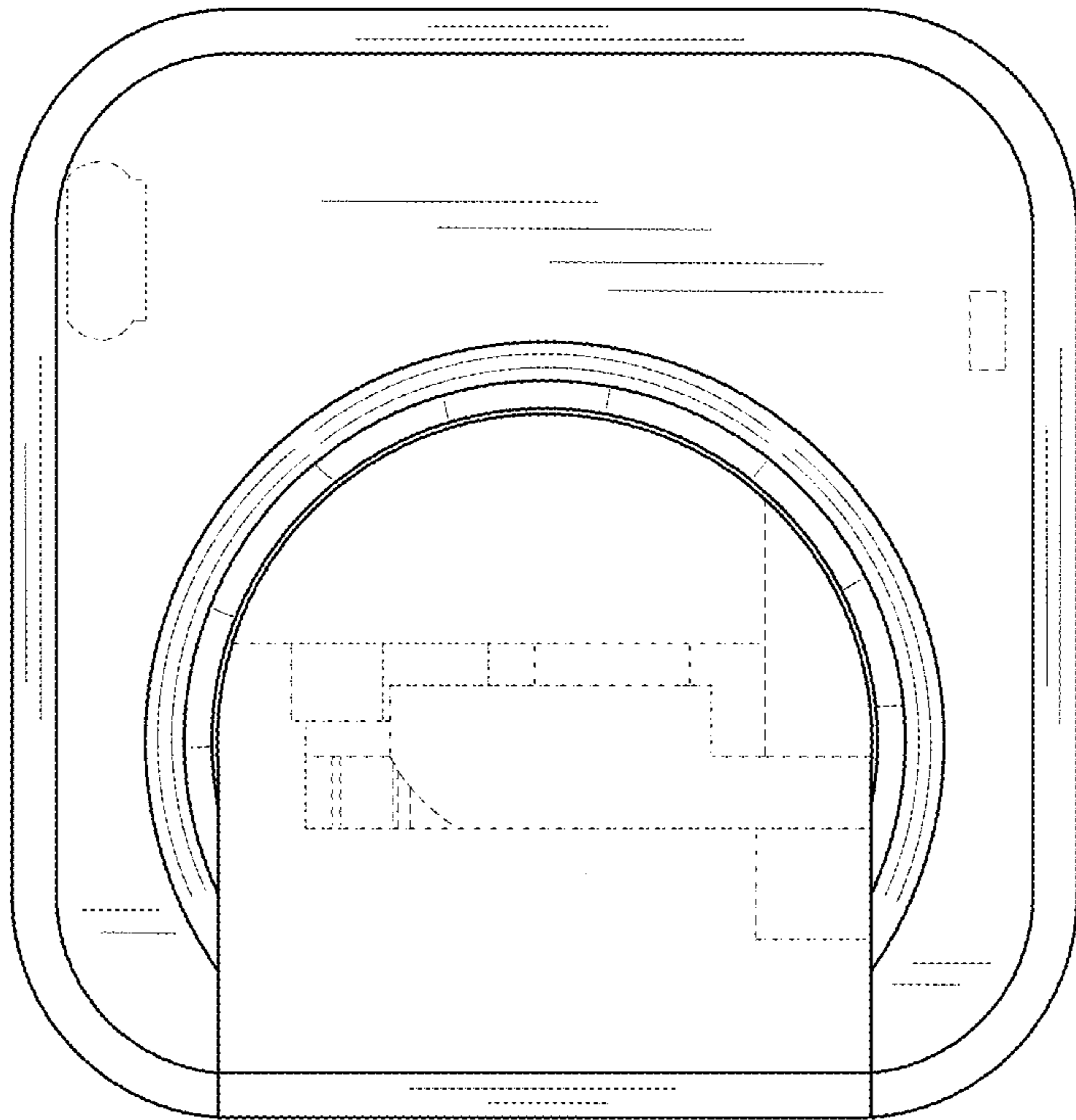


Fig. 5

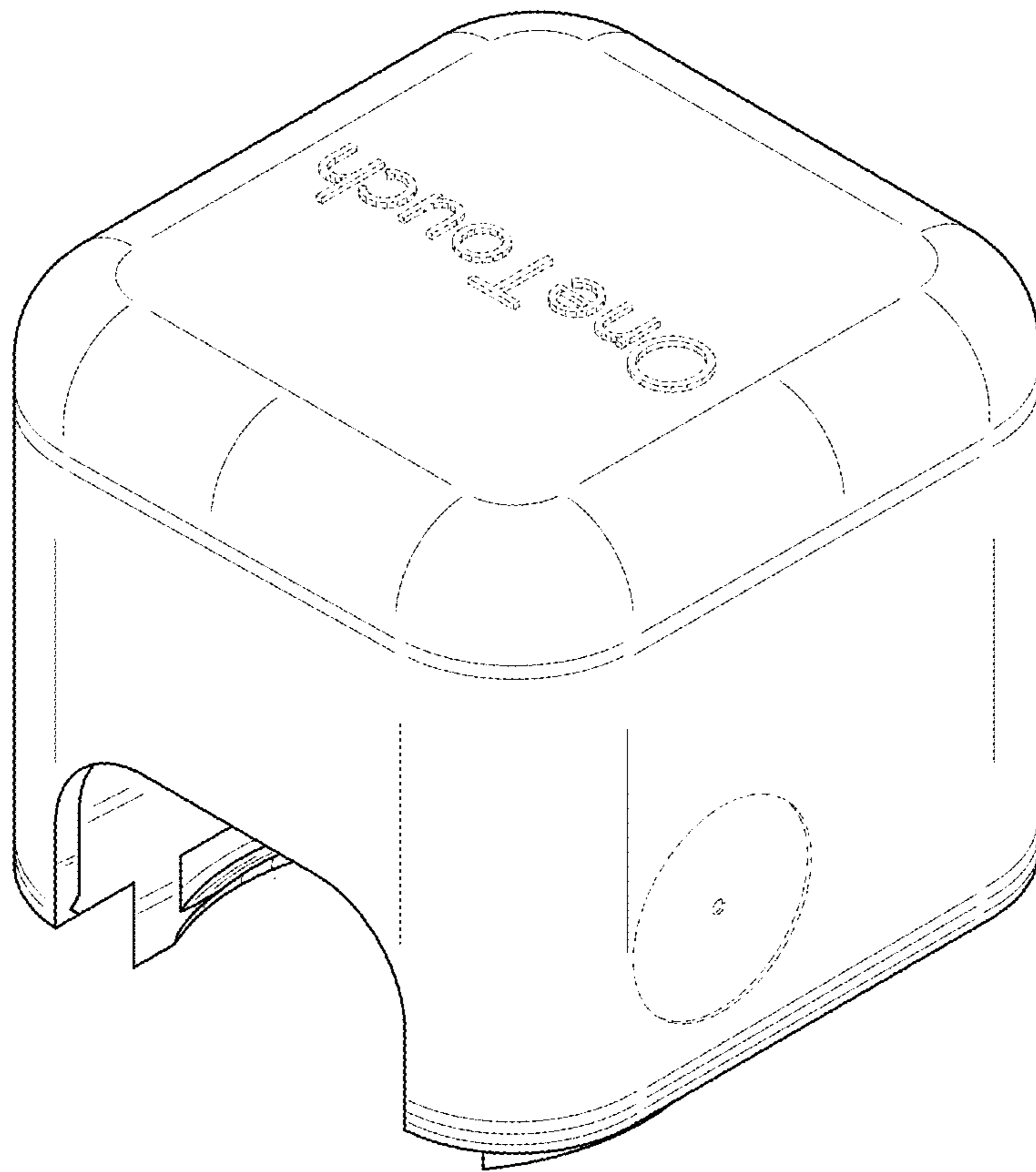


Fig. 6