



US00D875229S

(12) **United States Design Patent**  
**Clemmer**

(10) **Patent No.:** **US D875,229 S**

(45) **Date of Patent:** **\*\* Feb. 11, 2020**

(54) **DIFFUSER**

D692,196 S \* 10/2013 Yueh ..... D32/21  
D752,693 S \* 3/2016 Arias Segui ..... D21/576  
D758,856 S \* 6/2016 Huang ..... D21/604

(71) Applicant: **Gurunanda, LLC**, Buena Park, CA  
(US)

\* cited by examiner

(72) Inventor: **Jesse Clemmer**, Huntington Beach, CA  
(US)

*Primary Examiner* — Sheryl Lane

*Assistant Examiner* — Calvin E Vansant

(73) Assignee: **GURUNANDA, LLC**, Buena Park, CA  
(US)

(74) *Attorney, Agent, or Firm* — Snell & Wilmer LLP

(\*\*) Term: **15 Years**

(57) **CLAIM**

(21) Appl. No.: **29/657,758**

I claim the ornamental design for a diffuser, as shown and described.

(22) Filed: **Jul. 25, 2018**

**DESCRIPTION**

(51) **LOC (12) Cl.** ..... **23-04**

(52) **U.S. Cl.**

USPC ..... **D23/366**; D21/652

(58) **Field of Classification Search**

USPC ..... D23/208, 355–369

CPC ..... A61L 9/02; A61L 9/03; A61L 9/12; A61L  
9/035; A61L 9/125

See application file for complete search history.

FIG. 1 is a front perspective view of the diffuser;

FIG. 2 is a front view of the diffuser;

FIG. 3 is a rear view of the diffuser;

FIG. 4 is a right side view of the diffuser;

FIG. 5 is a left side view of the diffuser;

FIG. 6 is a top view of the diffuser;

FIG. 7 is a bottom view of the diffuser; and,

FIG. 8 is a rear perspective view of the diffuser.

The broken lines in the FIGURES depict portions of the diffuser that form no part of the claimed design. The unshaded surfaces bounded by broken lines form no part of the claimed design.

(56) **References Cited**

**U.S. PATENT DOCUMENTS**

D385,594 S \* 10/1997 Stephensen ..... D21/652  
D608,480 S \* 1/2010 van der Lande ..... D26/47

**1 Claim, 8 Drawing Sheets**



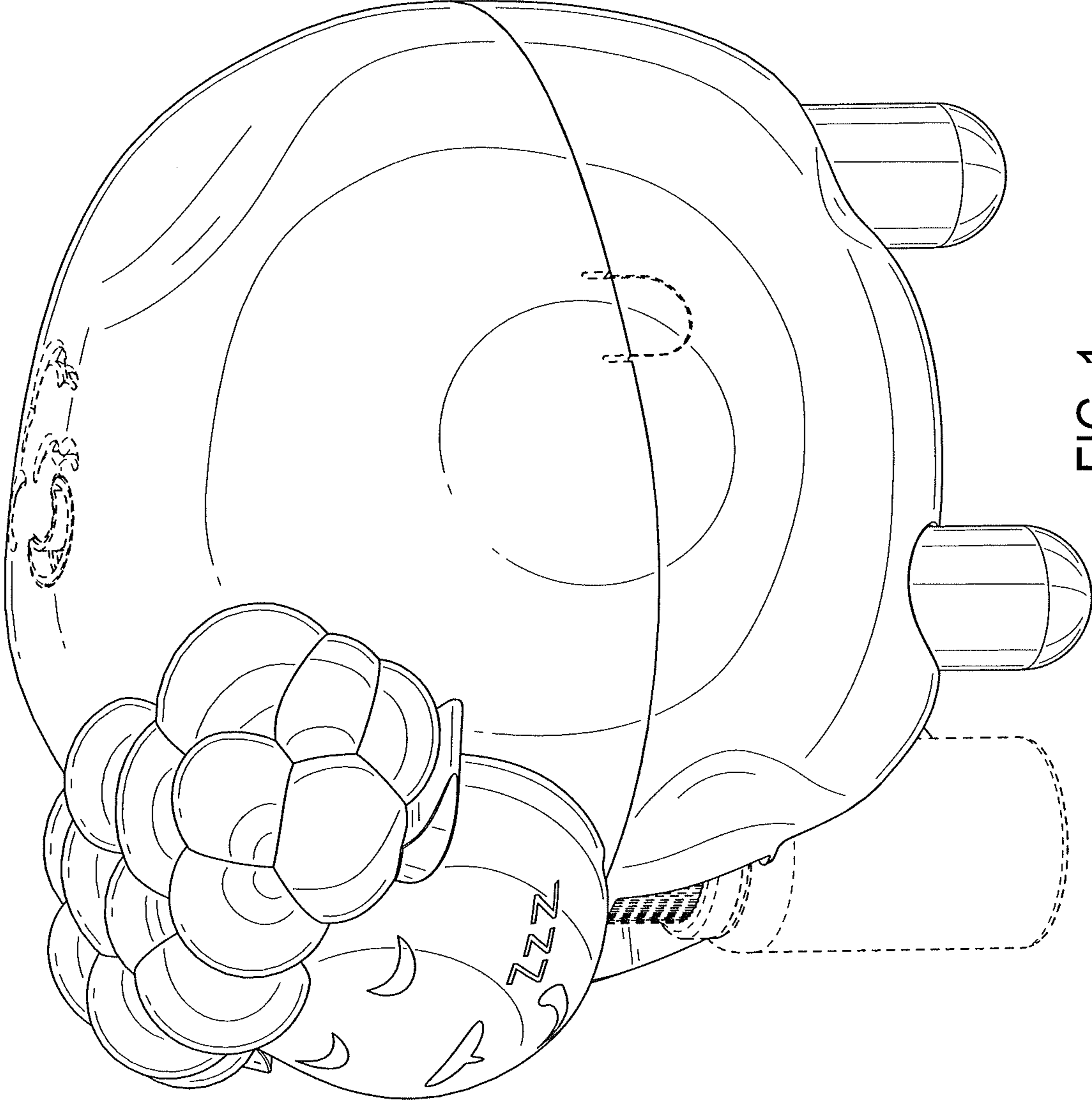


FIG. 1

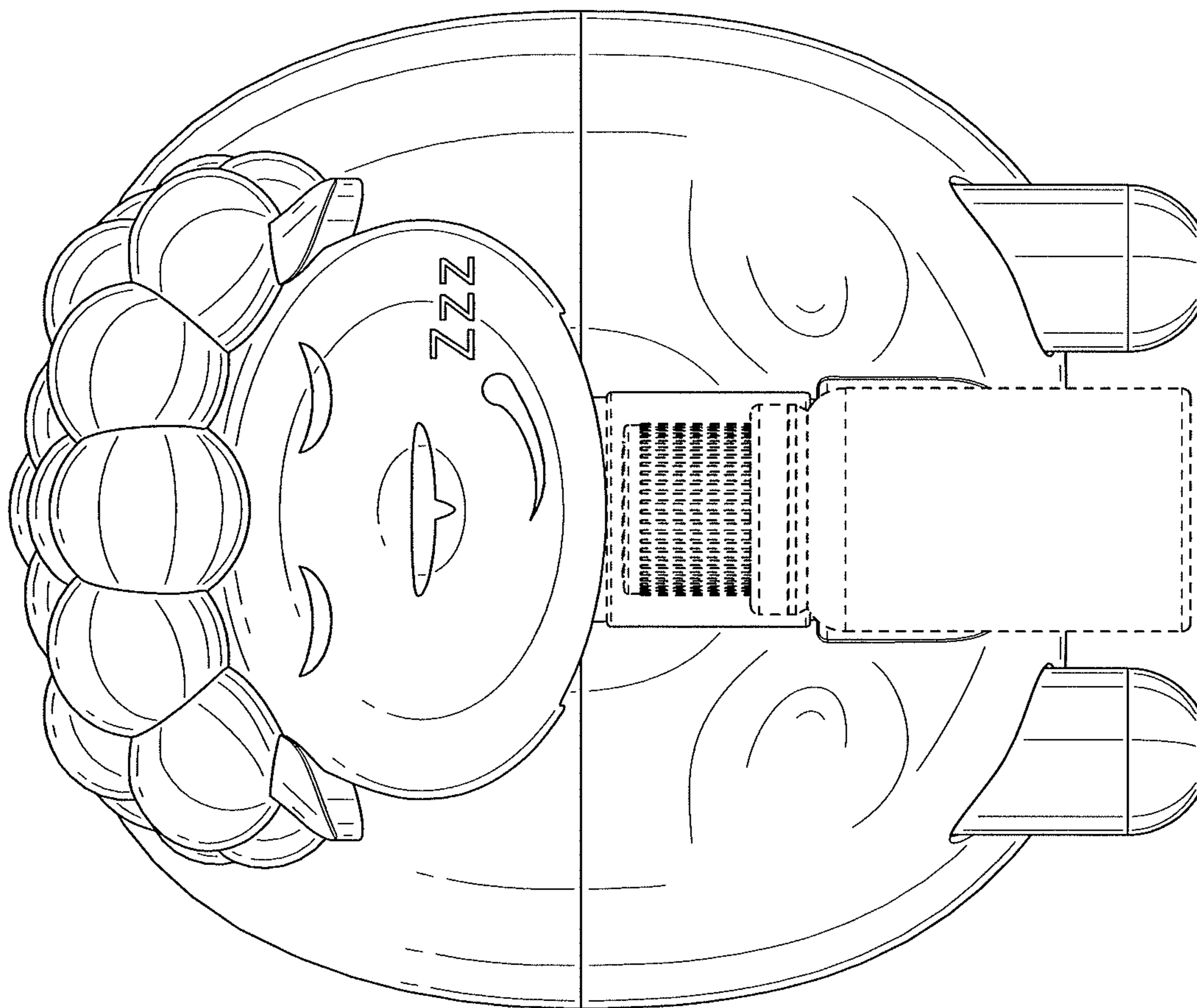


FIG. 2

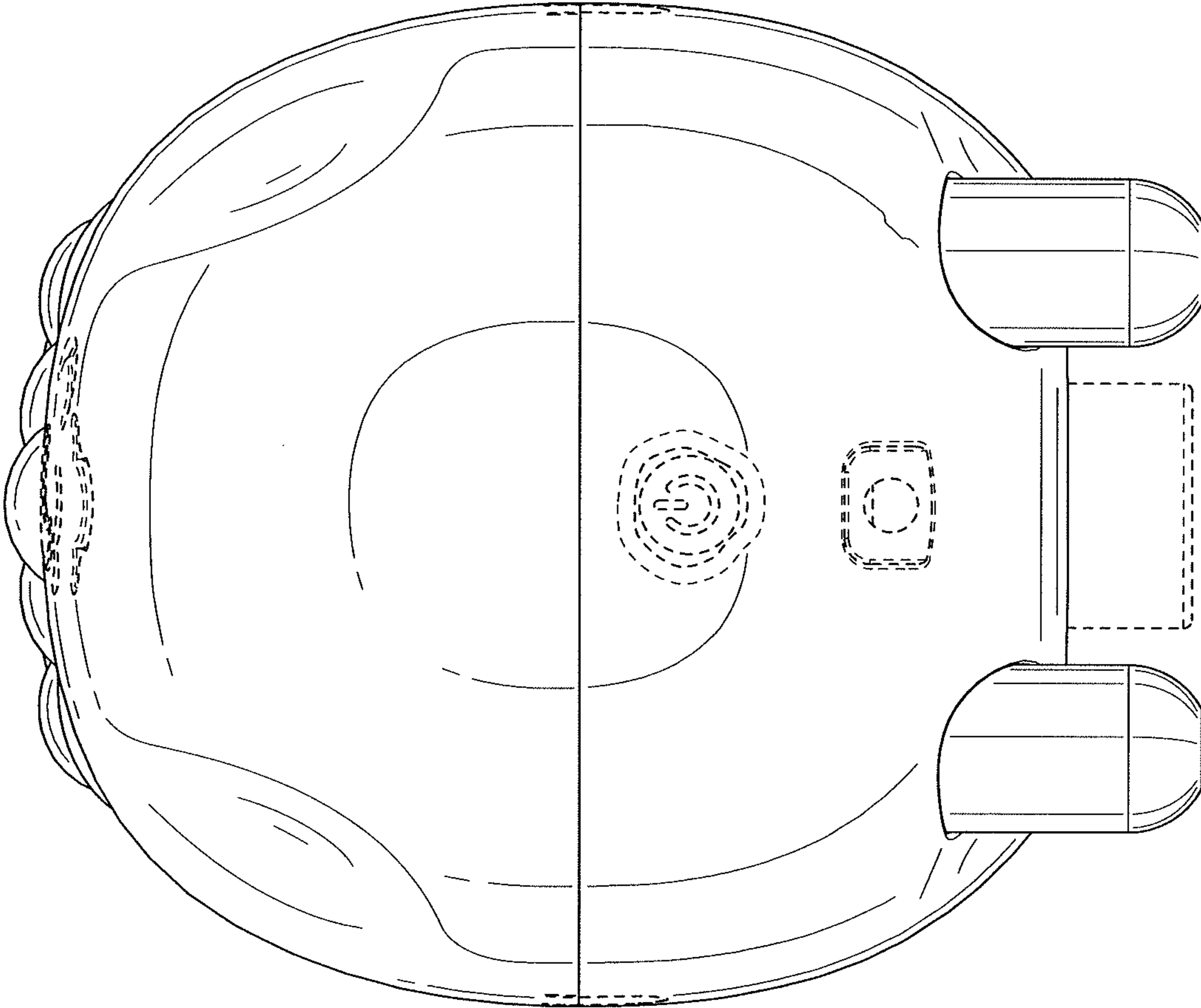


FIG. 3

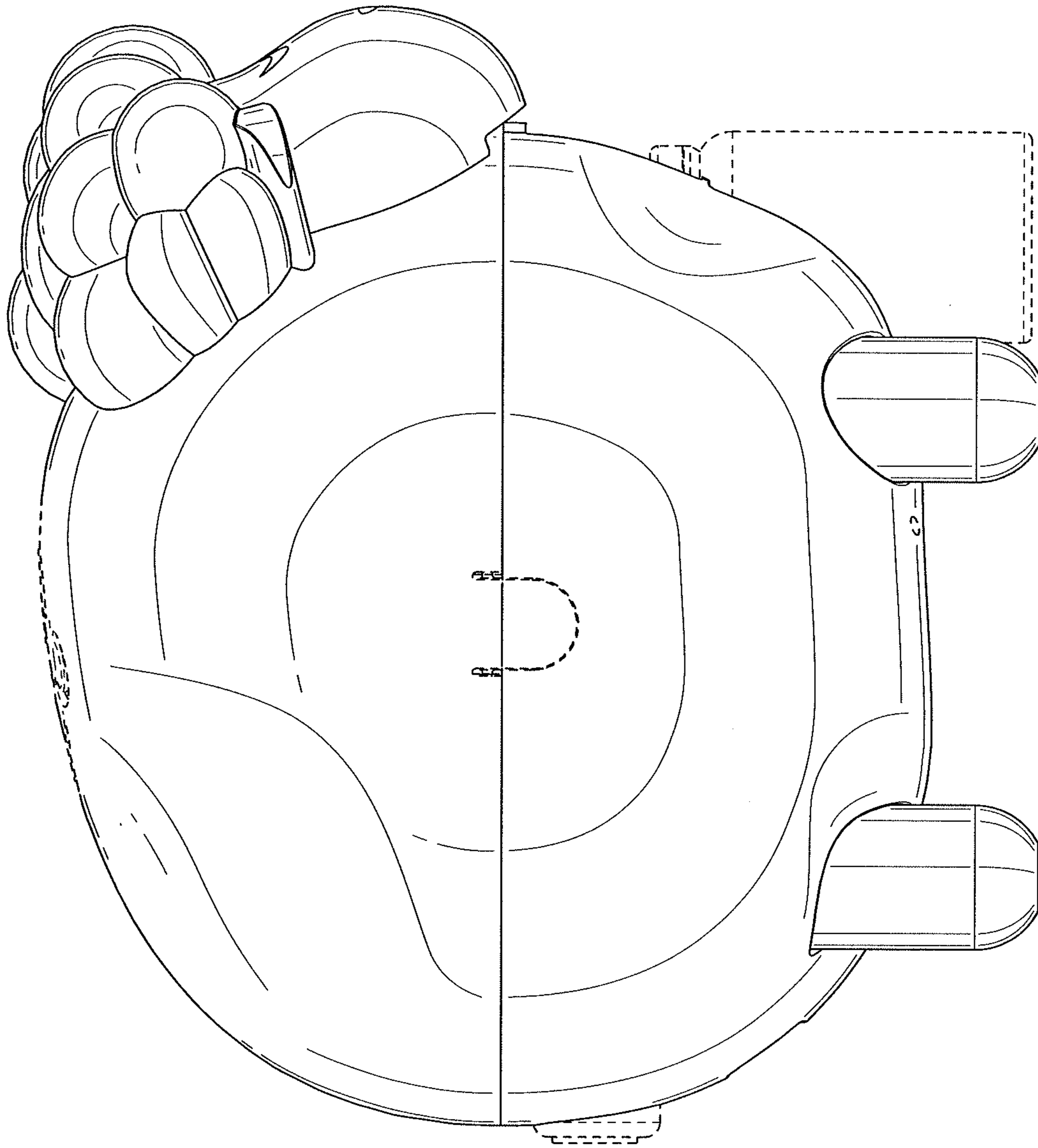


FIG. 4

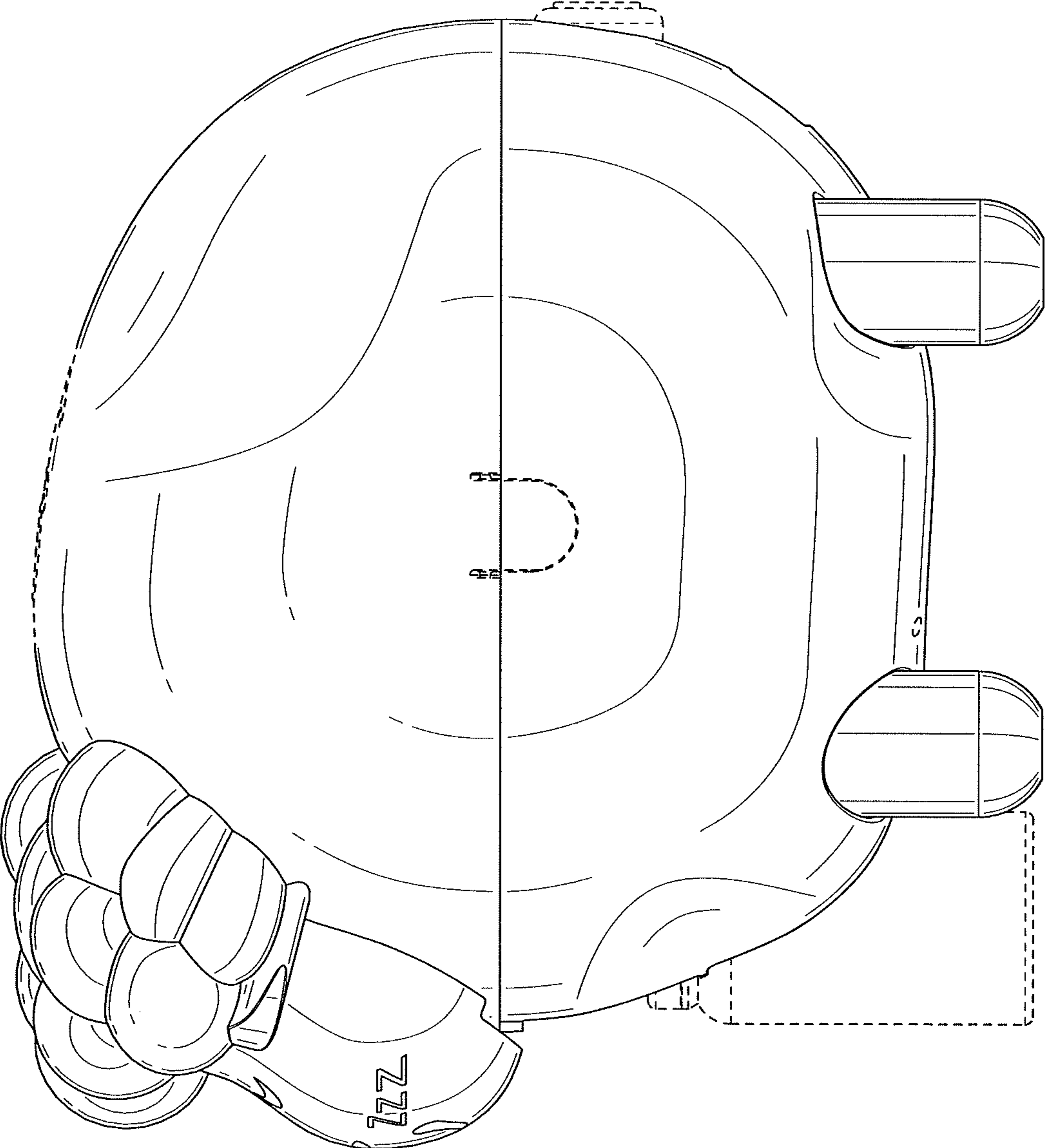


FIG. 5

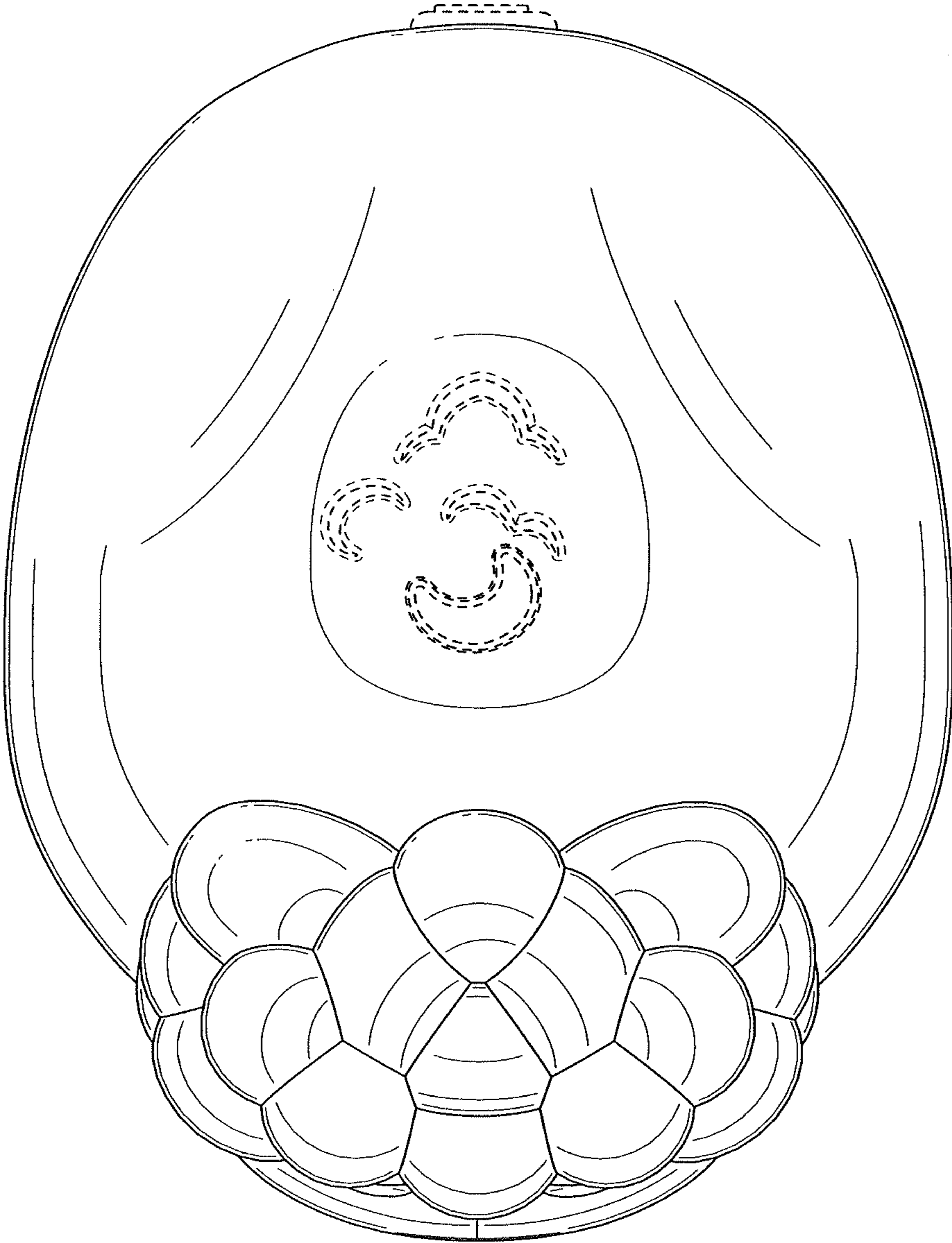


FIG. 6

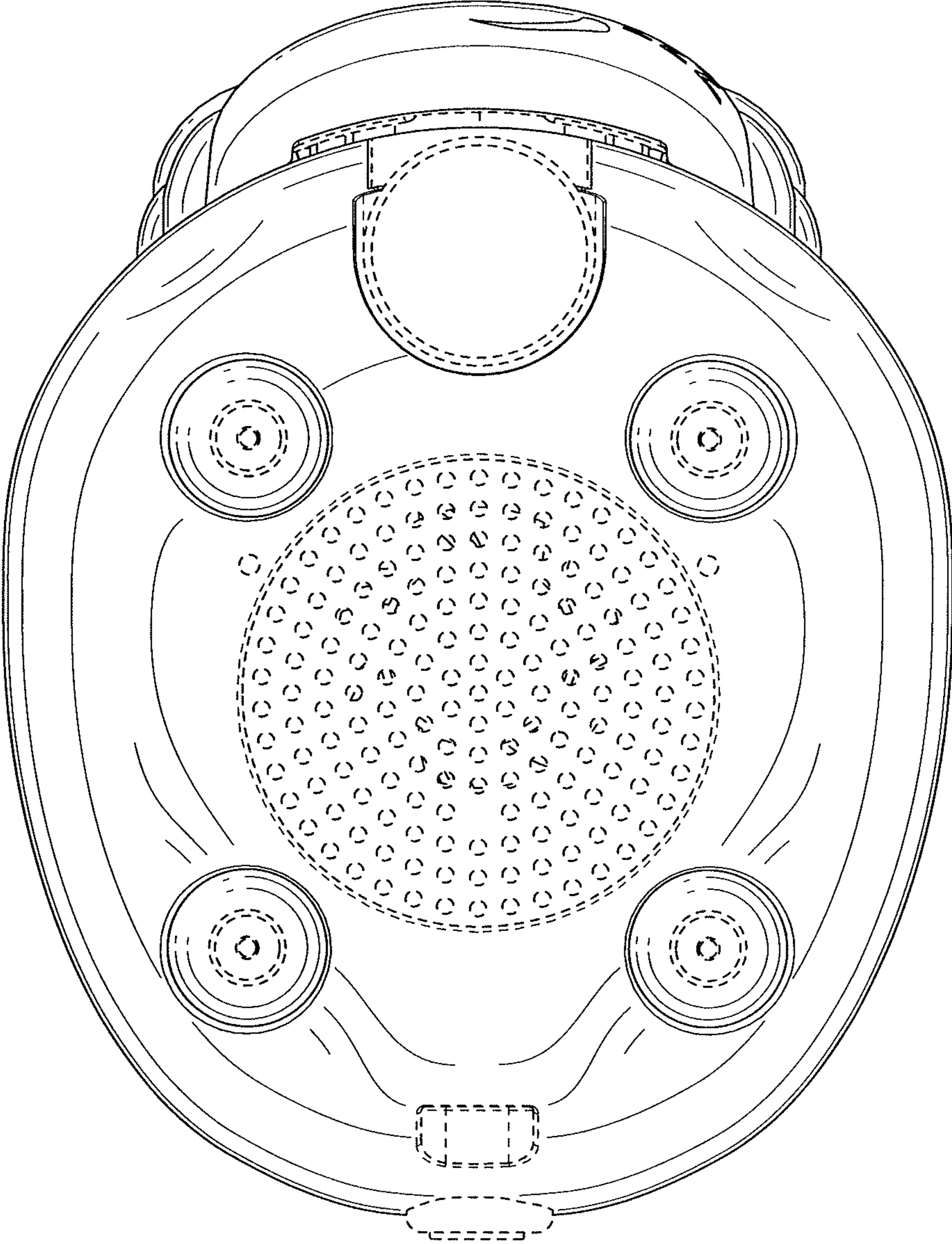


FIG. 7



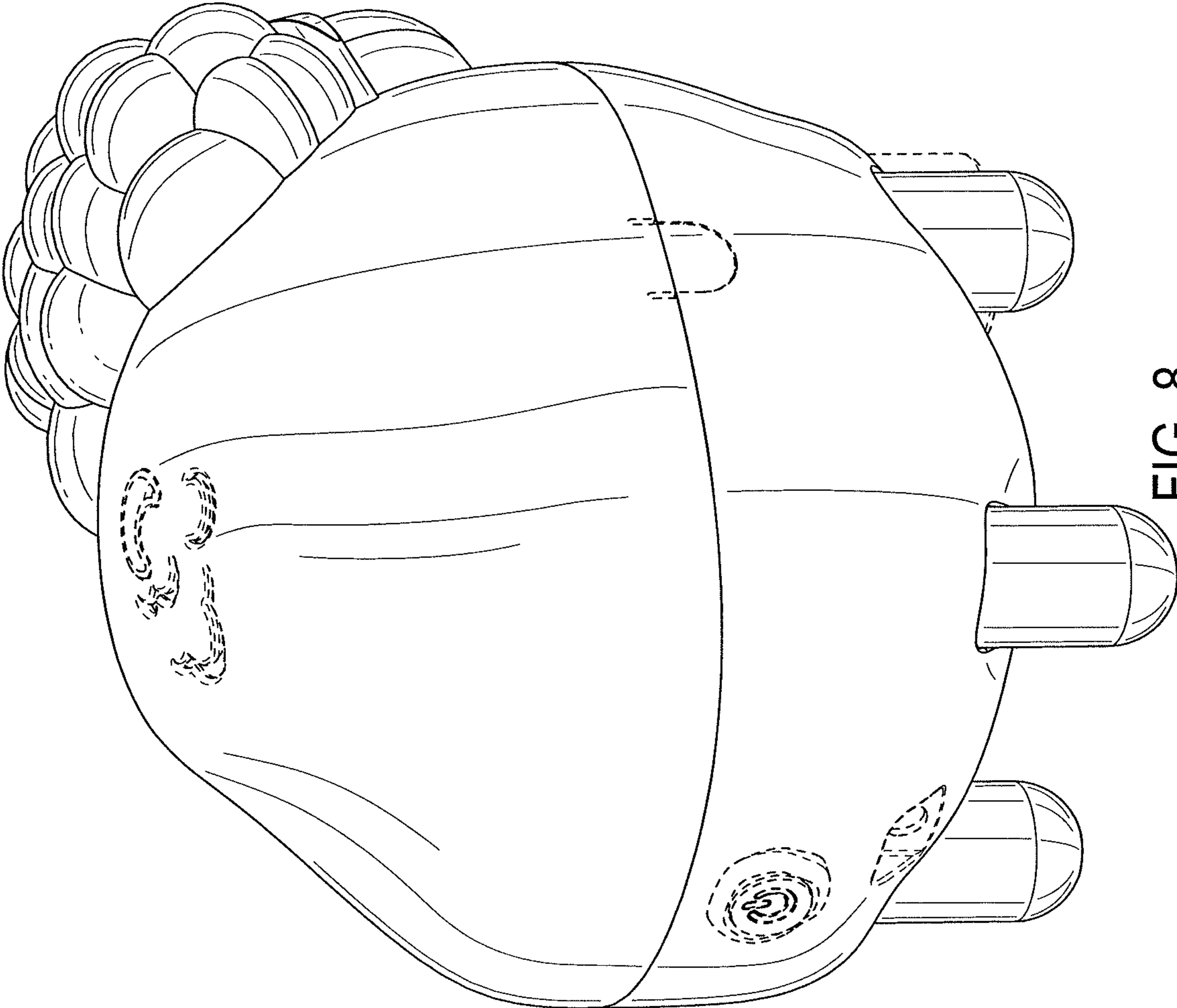


FIG. 8