



US00D875226S

(12) **United States Design Patent** (10) **Patent No.:** **US D875,226 S**
Rocandio Mazagatos (45) **Date of Patent:** **** Feb. 11, 2020**

(54) **SHOWER TRAY**

(56) **References Cited**

(71) Applicant: **FIORA BATH COLLECTIONS, S.L.U.**, Najera (La Rioja) (ES)

U.S. PATENT DOCUMENTS

(72) Inventor: **Manuel Rocandio Mazagatos**, Najera (ES)

| | | | |
|-------------------|---------|-----------------------|-----------|
| D255,829 S * | 7/1980 | Swenson | D23/283 |
| D539,394 S * | 3/2007 | Luxton | A47K 3/40 |
| | | | D23/283 |
| D596,722 S * | 7/2009 | Hisey | D23/304 |
| 8,677,521 B2 * | 3/2014 | Stimpson | A47K 3/40 |
| | | | 4/613 |
| D758,556 S * | 6/2016 | Licini | D23/304 |
| D813,361 S * | 3/2018 | Krahn | D23/308 |
| D836,758 S * | 12/2018 | Rocandio Mazagatos .. | D23/304 |
| 2006/0213006 A1 * | 9/2006 | Rush, Jr. | A47K 3/40 |
| | | | 4/613 |

(73) Assignee: **FIORA BATH COLLECTIONS, S.L.U.**, Najera (La Rioja) (ES)

(**) Term: **15 Years**

(21) Appl. No.: **29/649,551**

* cited by examiner

(22) Filed: **May 31, 2018**

Primary Examiner — Karen E Kearney

Assistant Examiner — John A Voytek

(74) *Attorney, Agent, or Firm* — Lucas & Mercanti, LLP

Related U.S. Application Data

(62) Division of application No. 29/594,329, filed on Feb. 17, 2017, now Pat. No. Des. 836,758.

(51) **LOC (12) Cl.** **23-02**

(52) **U.S. Cl.**
USPC **D23/304**

(58) **Field of Classification Search**
USPC ... D23/277–279, 280.1, 280.2, 280.3, 280.4,
D23/304–310
CPC A47K 3/006; A47K 3/02; A47K 3/022;
E05C 9/16

See application file for complete search history.

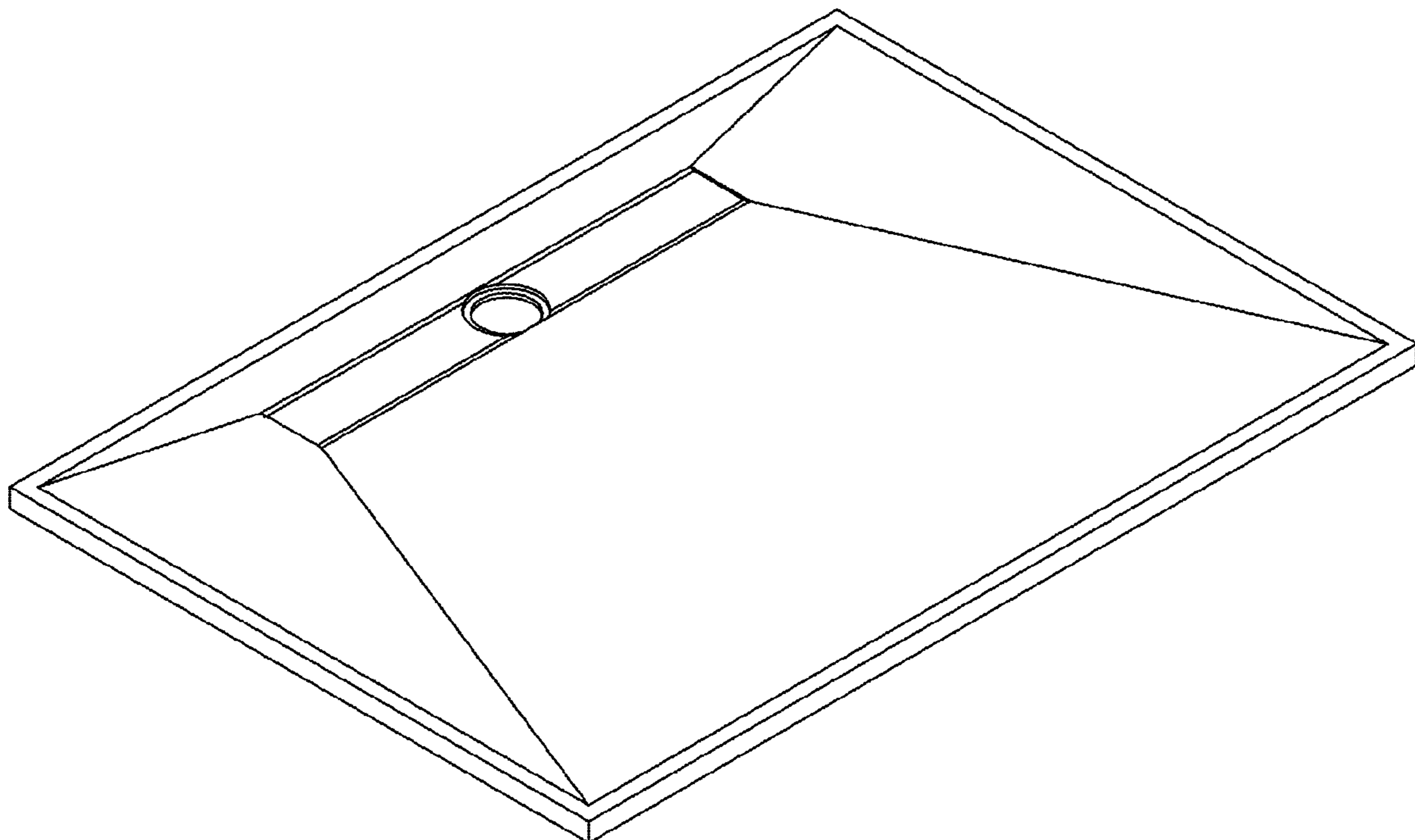
(57) **CLAIM**

The ornamental design for a shower tray, as shown and described.

DESCRIPTION

FIG. 1 is a front perspective view according to the design;
FIG. 2 is a side view thereof;
FIG. 3 is a top view thereof;
FIG. 4 is another side view thereof;
FIG. 5 is a side view opposite to the view of FIG. 2;
FIG. 6 is a bottom view thereof; and,
FIG. 7 is a side view opposite to the view of FIG. 4.

1 Claim, 7 Drawing Sheets



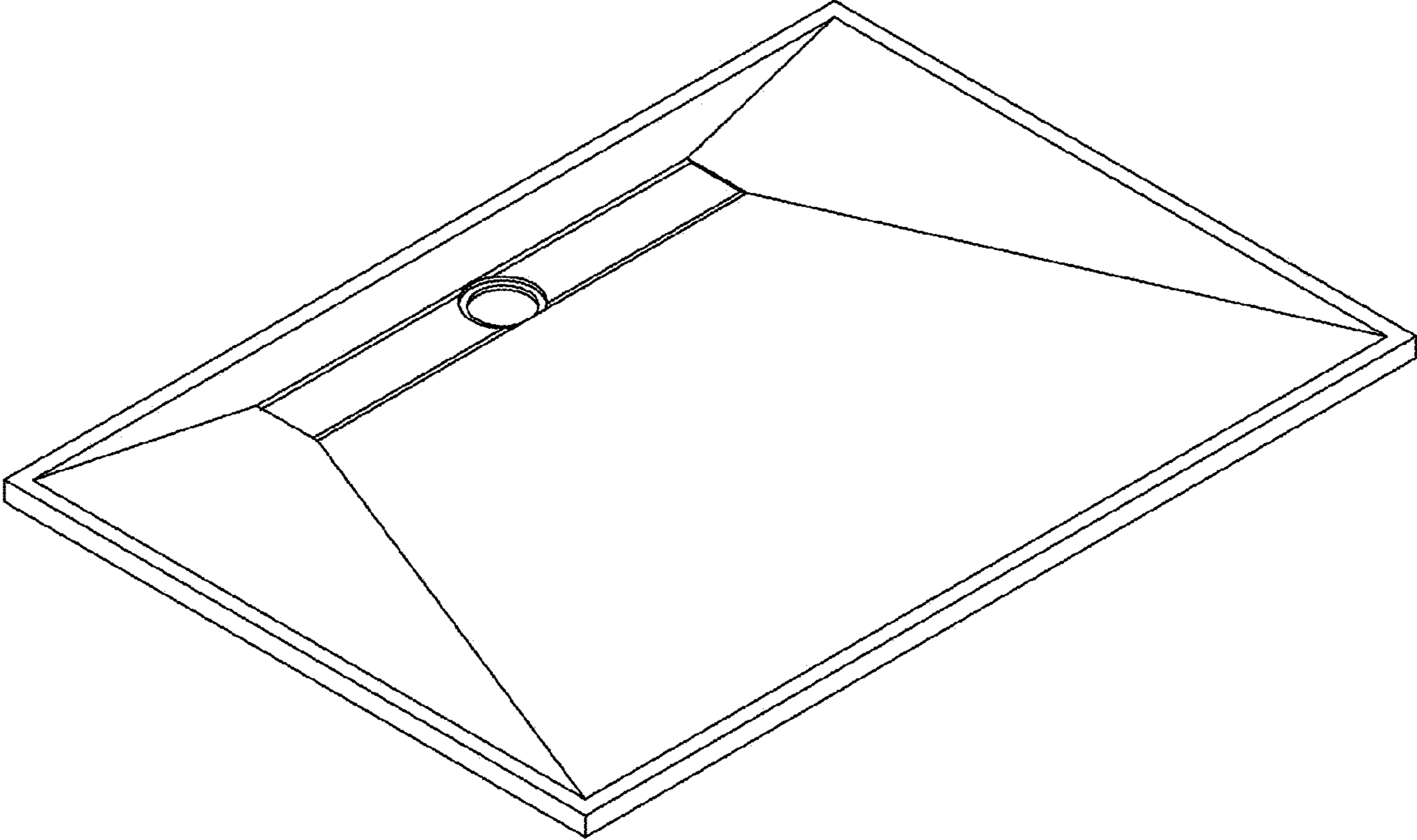


FIG. 1



FIG. 2

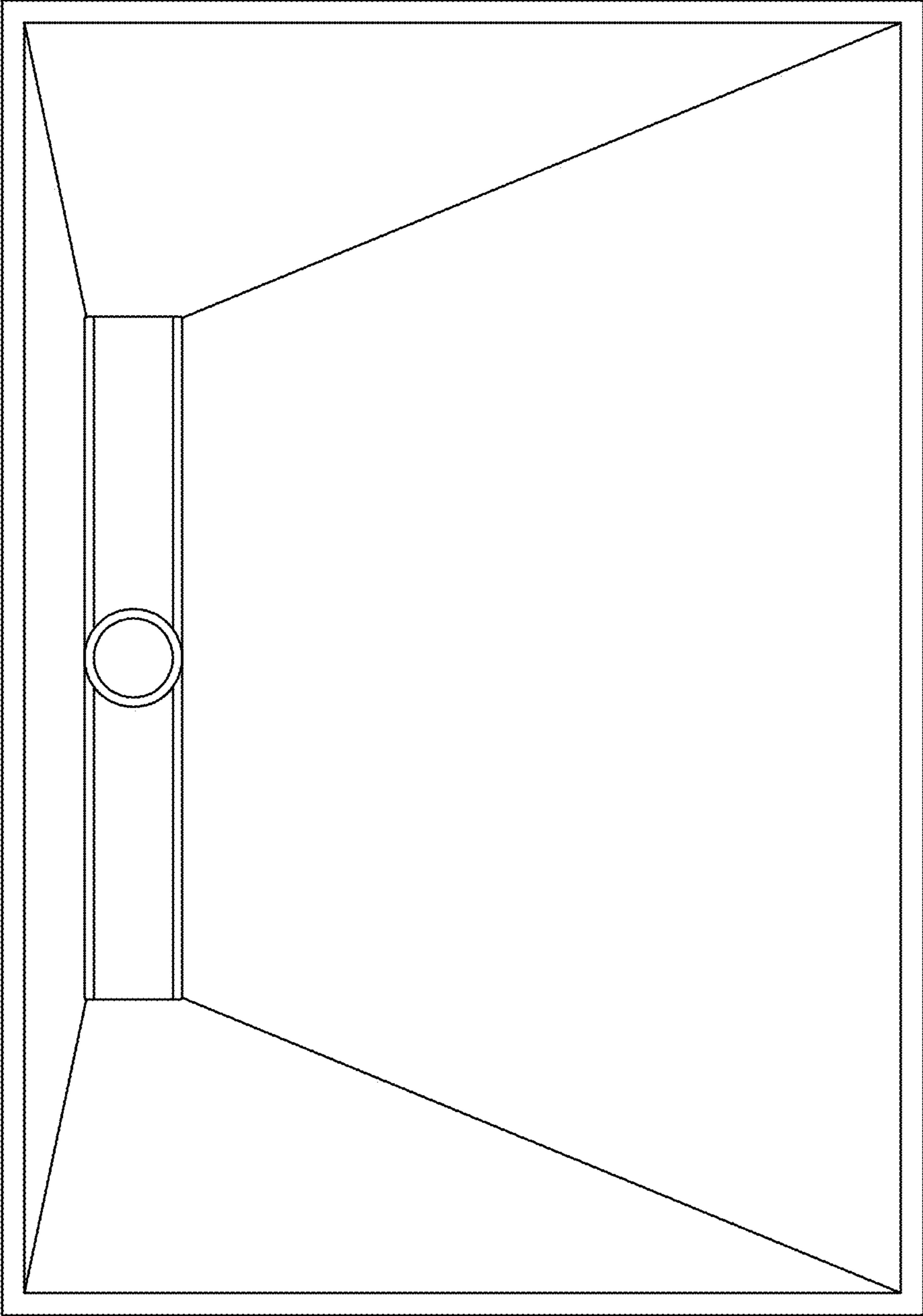


FIG. 3



FIG. 4



FIG. 5

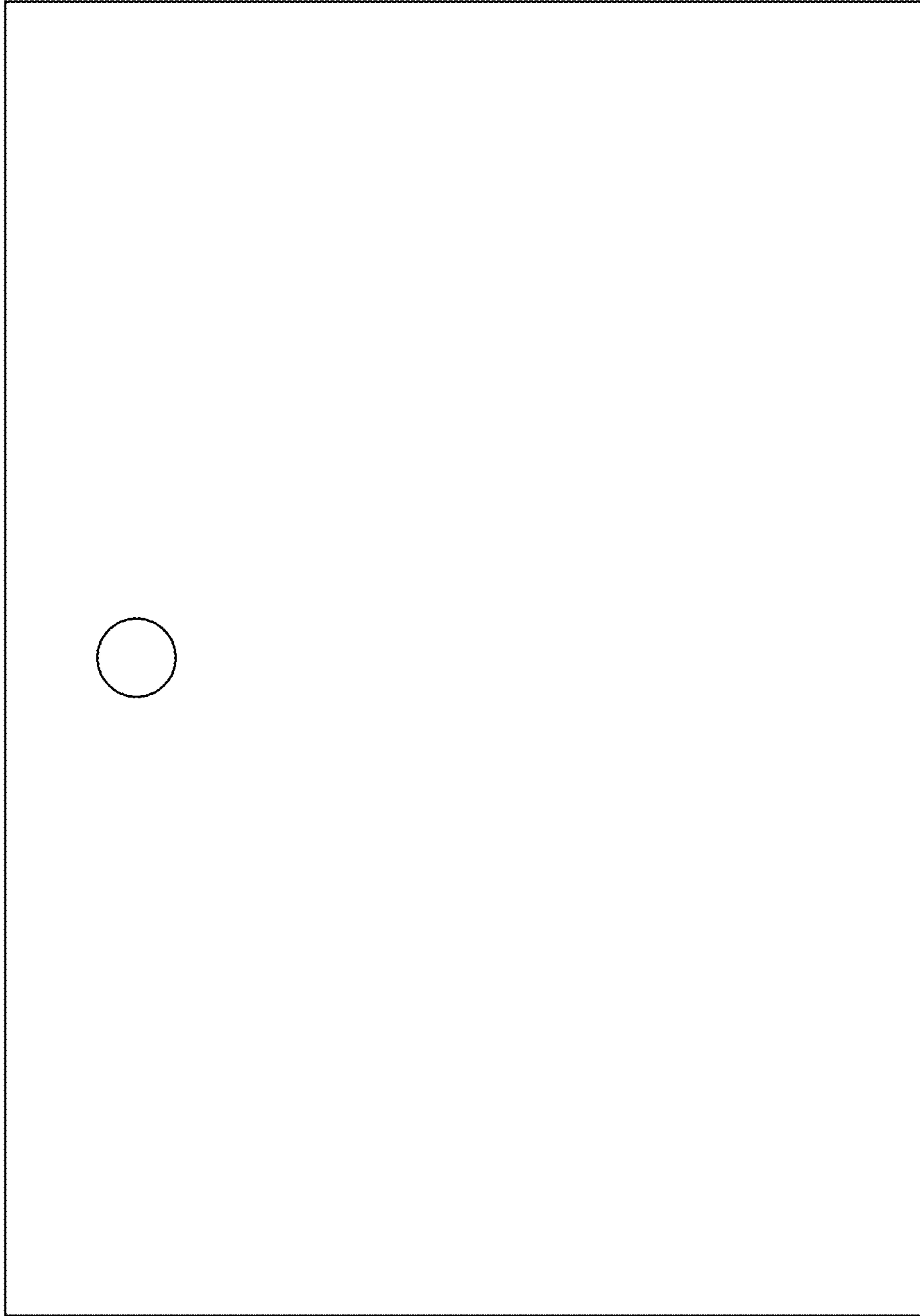


FIG. 6



FIG. 7