



US00D875225S

(12) **United States Design Patent** (10) **Patent No.:** **US D875,225 S**  
**McKeone et al.** (45) **Date of Patent:** **\*\* Feb. 11, 2020**

(54) **TOILET**

(71) Applicant: **Kohler Co.**, Kohler, WI (US)

(72) Inventors: **William C. McKeone**, Sheboygan, WI (US); **Seth M. Stevens**, Tarrytown, NY (US); **Coralee S. Sandee**, Sheboygan, WI (US); **Jovello T. Gomez**, Kohler, WI (US)

(73) Assignee: **KOHLER CO.**, Kohler, WI (US)

(\*\*) Term: **15 Years**

(21) Appl. No.: **29/644,900**

(22) Filed: **Apr. 20, 2018**

(51) **LOC (12) Cl.** ..... **23-02**

(52) **U.S. Cl.**  
USPC ..... **D23/301**

(58) **Field of Classification Search**  
USPC ..... D23/295–301, 303, 309, 311–313  
CPC ..... A47K 11/02; A47K 11/026; A47K 11/00;  
A47K 13/00; E03D 11/18; E03D 5/10;  
E03D 13/00

See application file for complete search history.

(56) **References Cited**

**U.S. PATENT DOCUMENTS**

D353,658 S	12/1994	McKeone et al.	
D387,858 S	12/1997	McKeone et al.	
D412,742 S	8/1999	Soulier	
D441,437 S	5/2001	McKeone	
D451,175 S	11/2001	Smith	
D514,673 S	2/2006	Lanius	
D515,185 S	2/2006	Daikubara	
D532,875 S	11/2006	Kaule	
D536,771 S	2/2007	Chenesseau	
D539,881 S	4/2007	Bates	
D542,396 S	5/2007	Bates	
D558,313 S *	12/2007	Igarashi	D23/295
D582,530 S *	12/2008	Cummings	D23/301
D594,944 S *	6/2009	Starck	D23/301

D601,233 S	9/2009	Kergoet	
D602,137 S	10/2009	Kergoet	
D615,635 S *	5/2010	Hanna	D23/301
D624,165 S *	9/2010	Yokoyama	D23/301
D637,702 S	5/2011	Rexach	
D641,459 S	7/2011	Corpuz, Jr. et al.	
D646,366 S *	10/2011	Palomba	D23/301
D649,627 S	11/2011	Corpuz, Jr. et al.	
D653,314 S *	1/2012	Yoshioka	D23/301
D653,315 S *	1/2012	Yoshioka	D23/301

(Continued)

**OTHER PUBLICATIONS**

Hometure Dual Flush Elongated One Piece Toilet [Jul. 29, 2019] found online [Jul. 27, 2019]—<https://www.ebay.com/itm/Hometure-Dual-Flush-Elongated-One-Piece-Toilet-with-Soft-Closing-Seat-Modern-/223005214305>.\*

*Primary Examiner* — Lakiya G Rogers

*Assistant Examiner* — John A Voytek

(74) *Attorney, Agent, or Firm* — Foley & Lardner LLP

(57) **CLAIM**

We claim the ornamental design for a toilet, as shown and described.

**DESCRIPTION**

FIG. 1 is a top, front, right perspective view of the claimed design;

FIG. 2 is a right side elevation view thereof;

FIG. 3 is a left side elevation view thereof;

FIG. 4 is a front elevation view thereof;

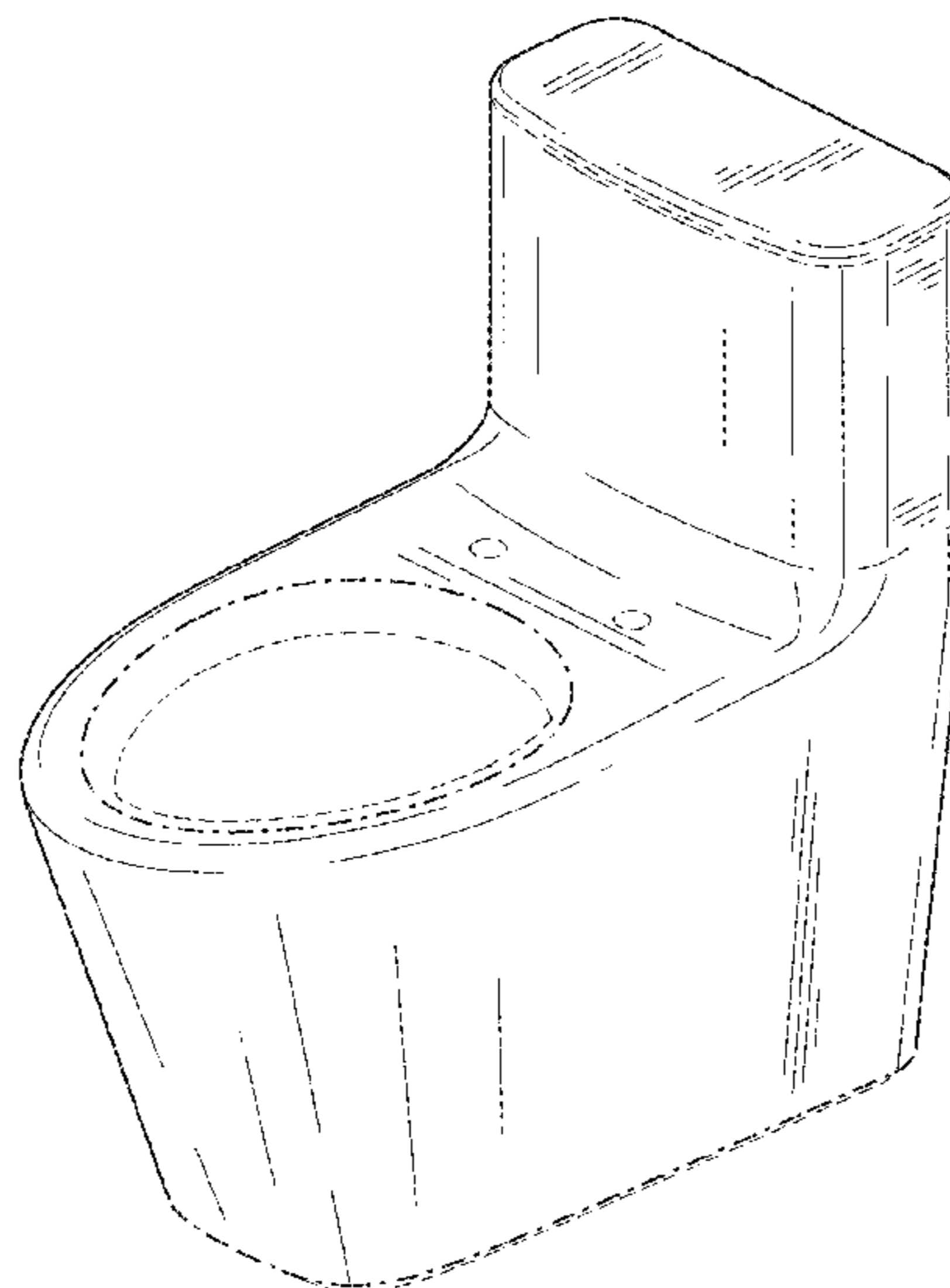
FIG. 5 is a rear elevation view thereof;

FIG. 6 is a top plan view thereof; and,

FIG. 7 is a bottom plan view thereof.

The broken lines in the drawings form no part of the claimed design. Broken lines in the drawings formed by equal length dashes show unclaimed subject matter. Broken lines formed by unequal length dashes (i.e., dash-dot) define bounds of the claimed design.

**1 Claim, 4 Drawing Sheets**



(56)

**References Cited**

U.S. PATENT DOCUMENTS

D654,993 S	*	2/2012	Ando .....	D23/301
D657,030 S		4/2012	Bates	
D690,402 S		9/2013	Bates et al.	
D694,378 S		11/2013	Bates	
D694,379 S		11/2013	Bates	
D695,384 S		12/2013	Bates	
D767,742 S		9/2016	Bates et al.	
D781,405 S		3/2017	Bates	
D798,424 S		9/2017	Mesun et al.	
D801,490 S		10/2017	Stevenson et al.	
D801,491 S		10/2017	Stevenson et al.	
D801,493 S	*	10/2017	Bates .....	D23/309
D802,105 S		11/2017	Stevenson et al.	
D802,106 S		11/2017	Stevenson et al.	
D807,480 S	*	1/2018	Chuk .....	D23/301
D831,799 S	*	10/2018	Obara .....	D23/301

\* cited by examiner

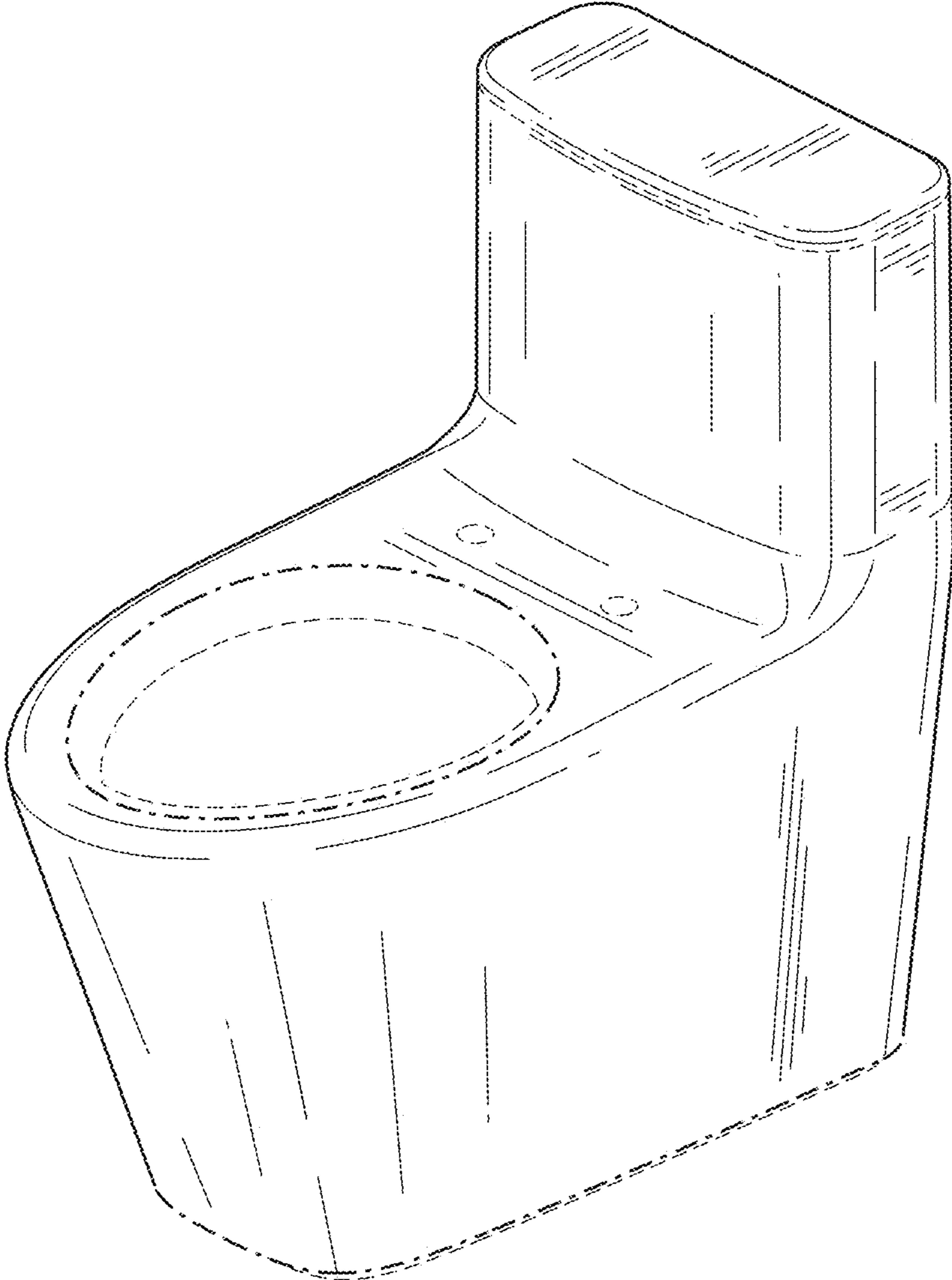


FIG. 1

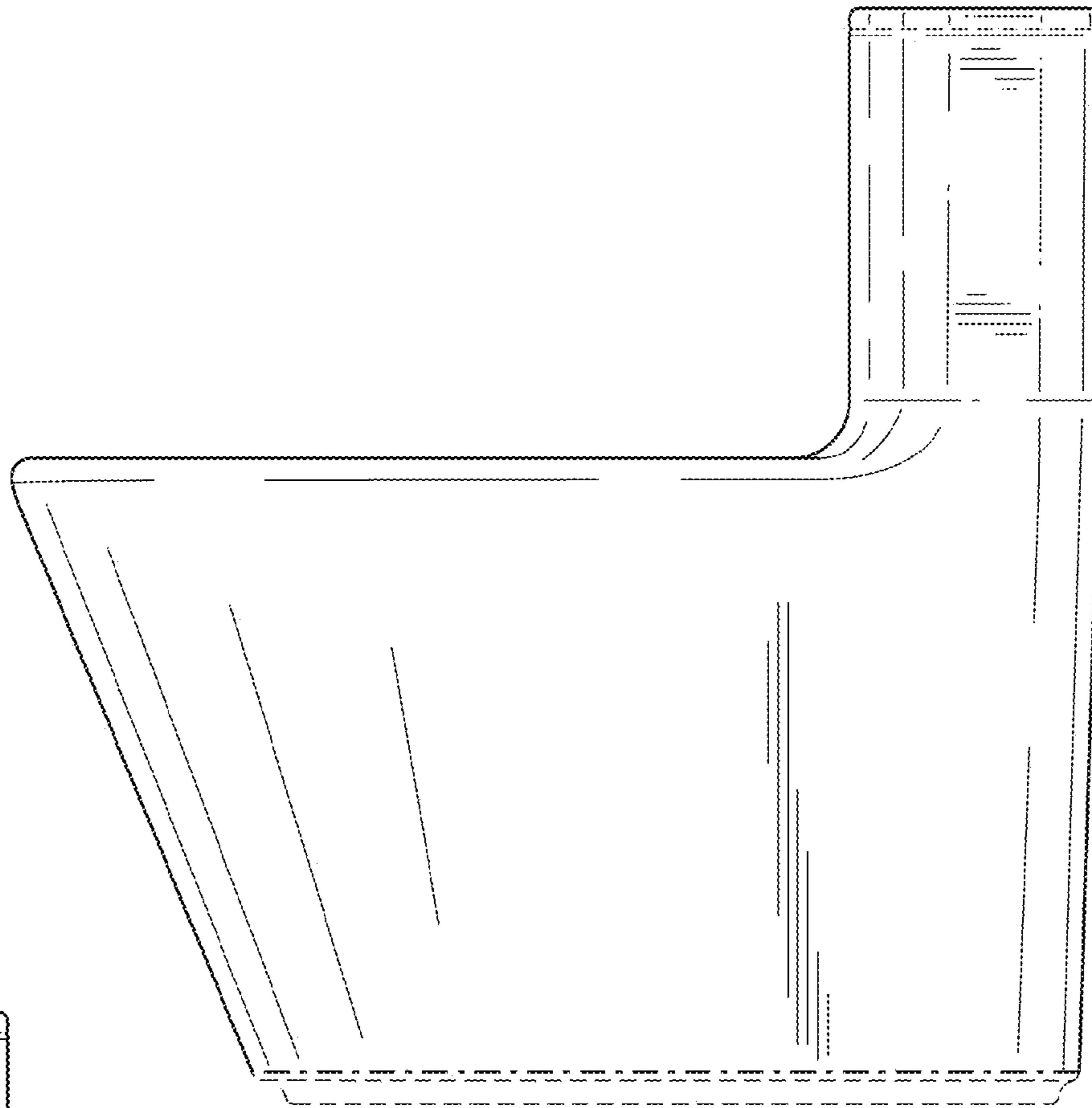


FIG. 2

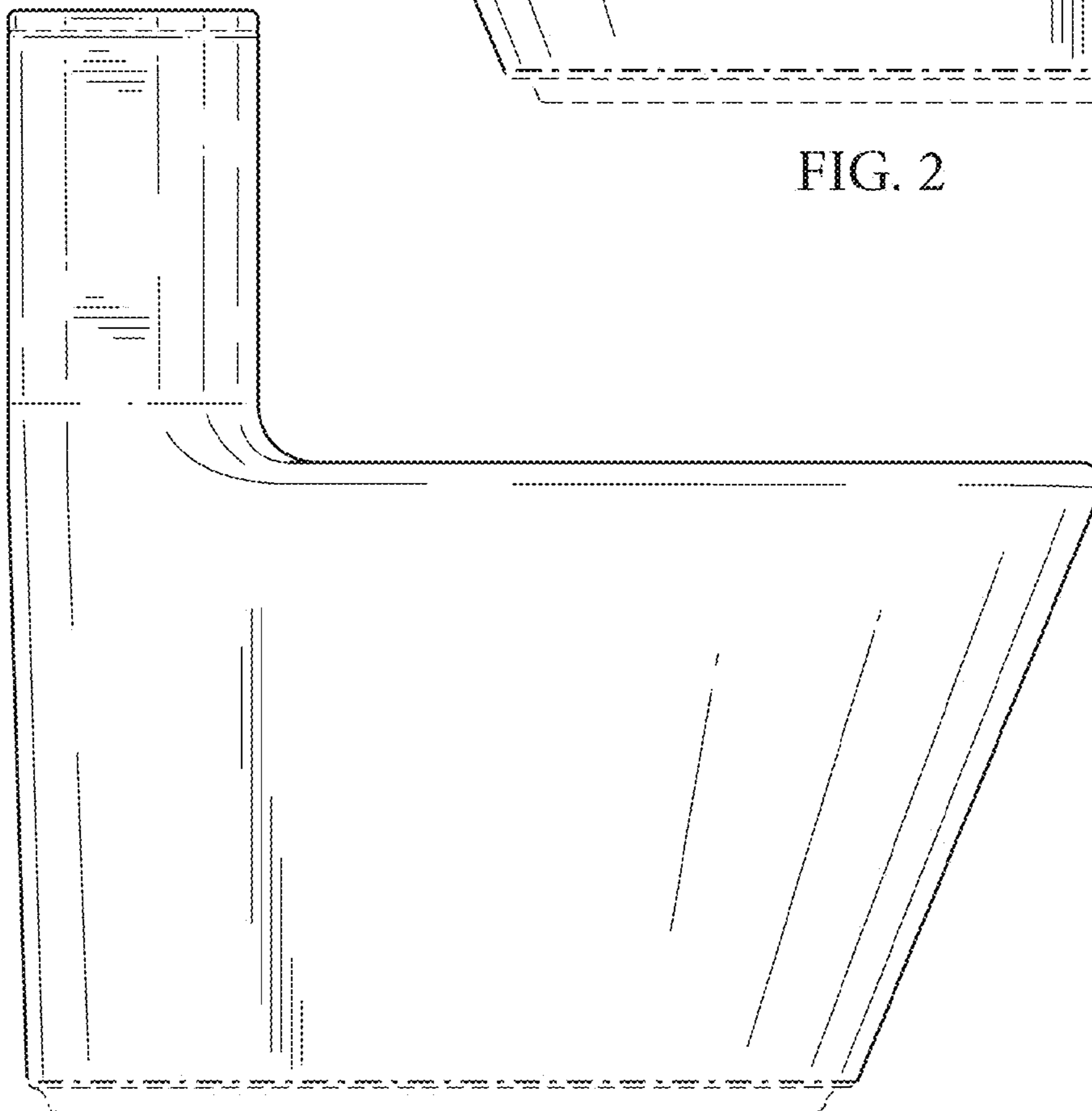


FIG. 3

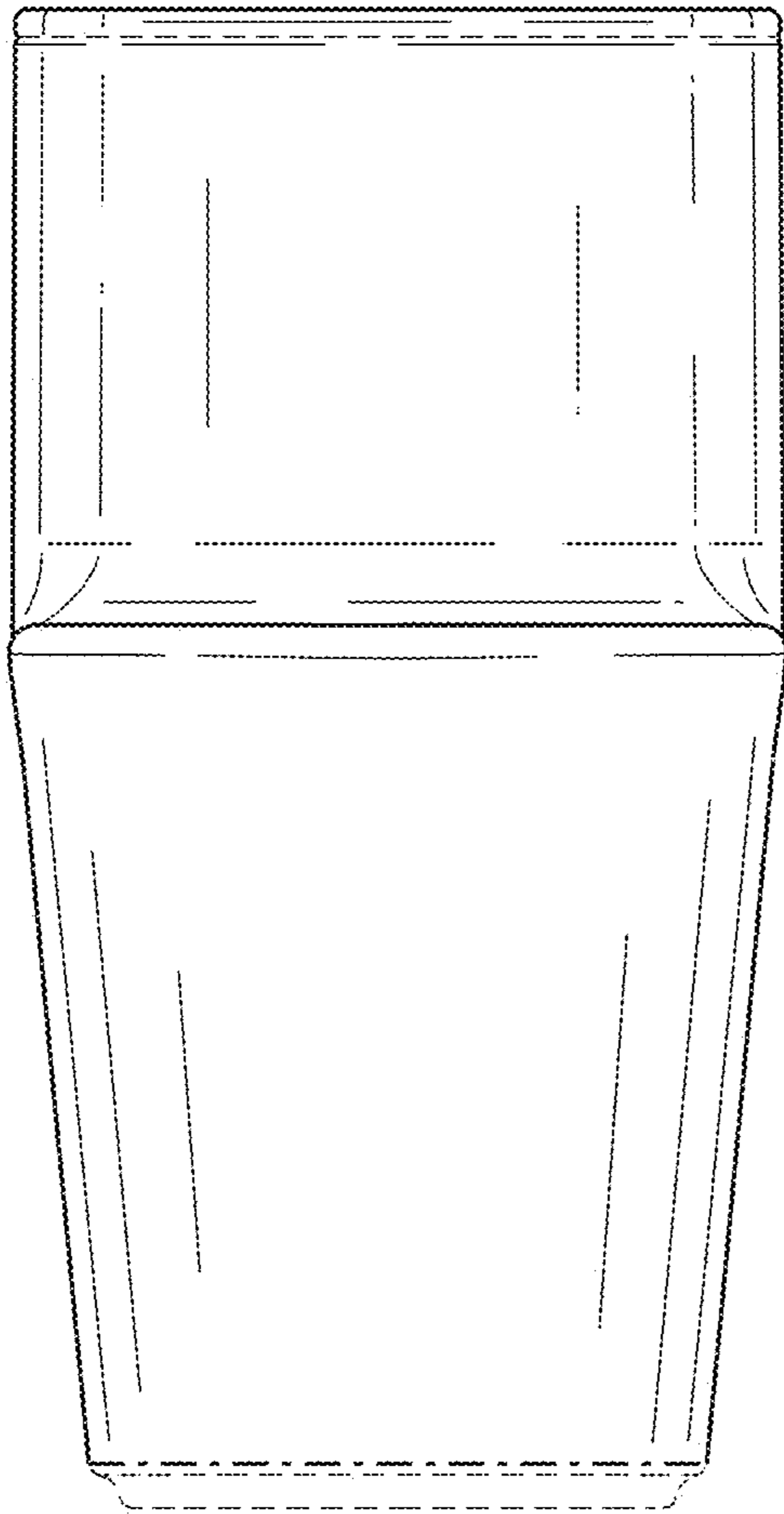


FIG. 4

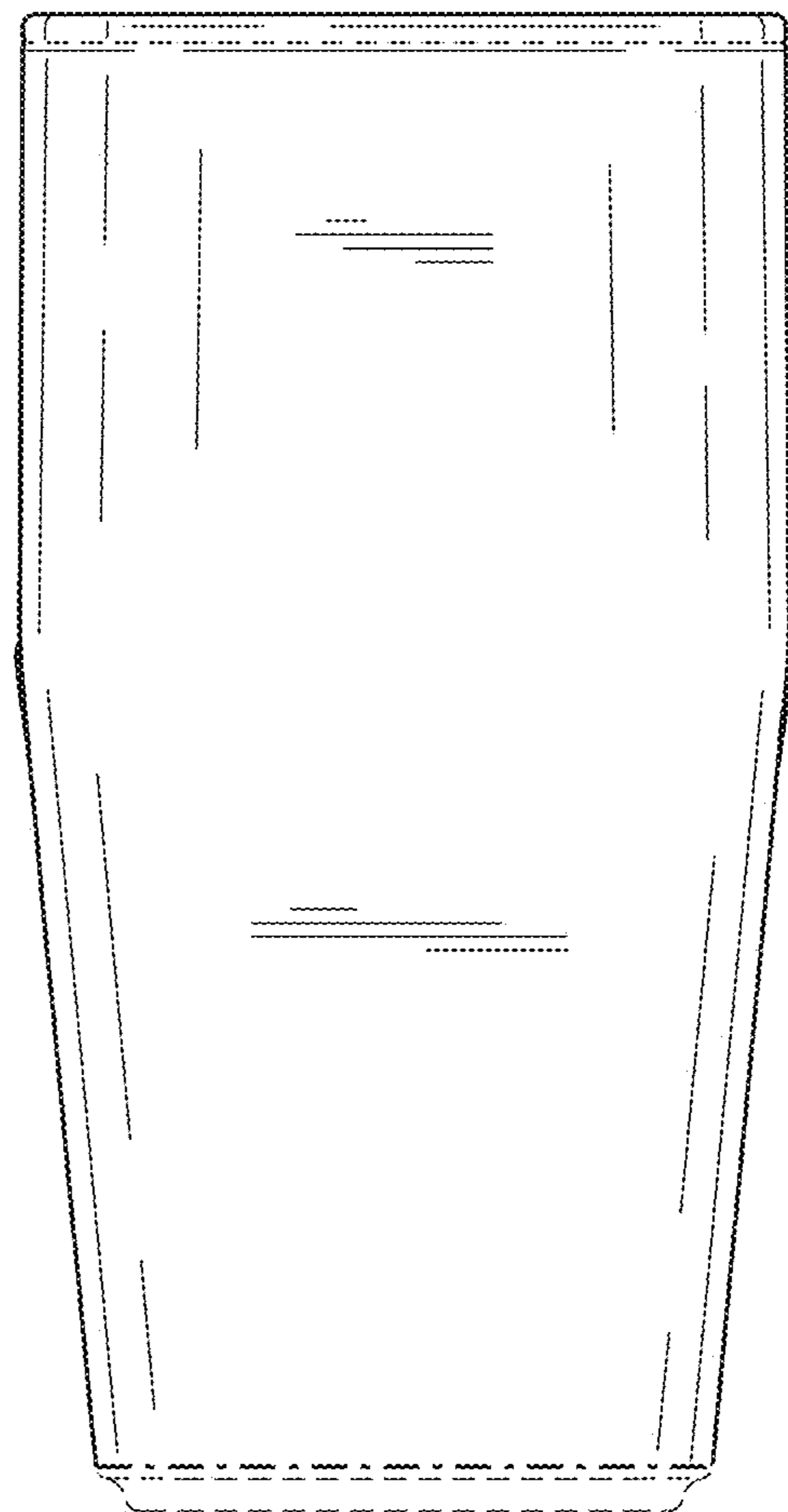


FIG. 5

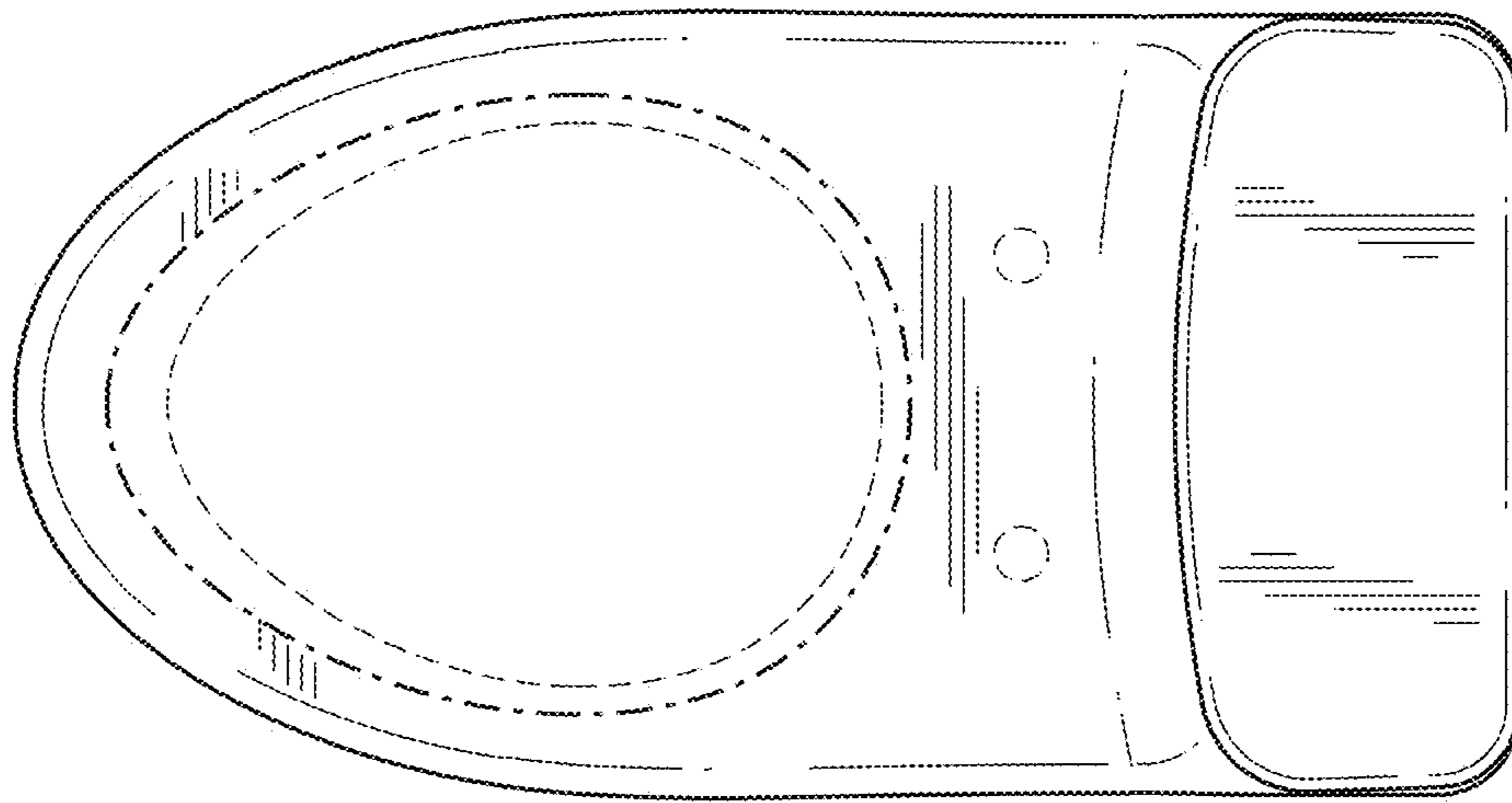


FIG. 6

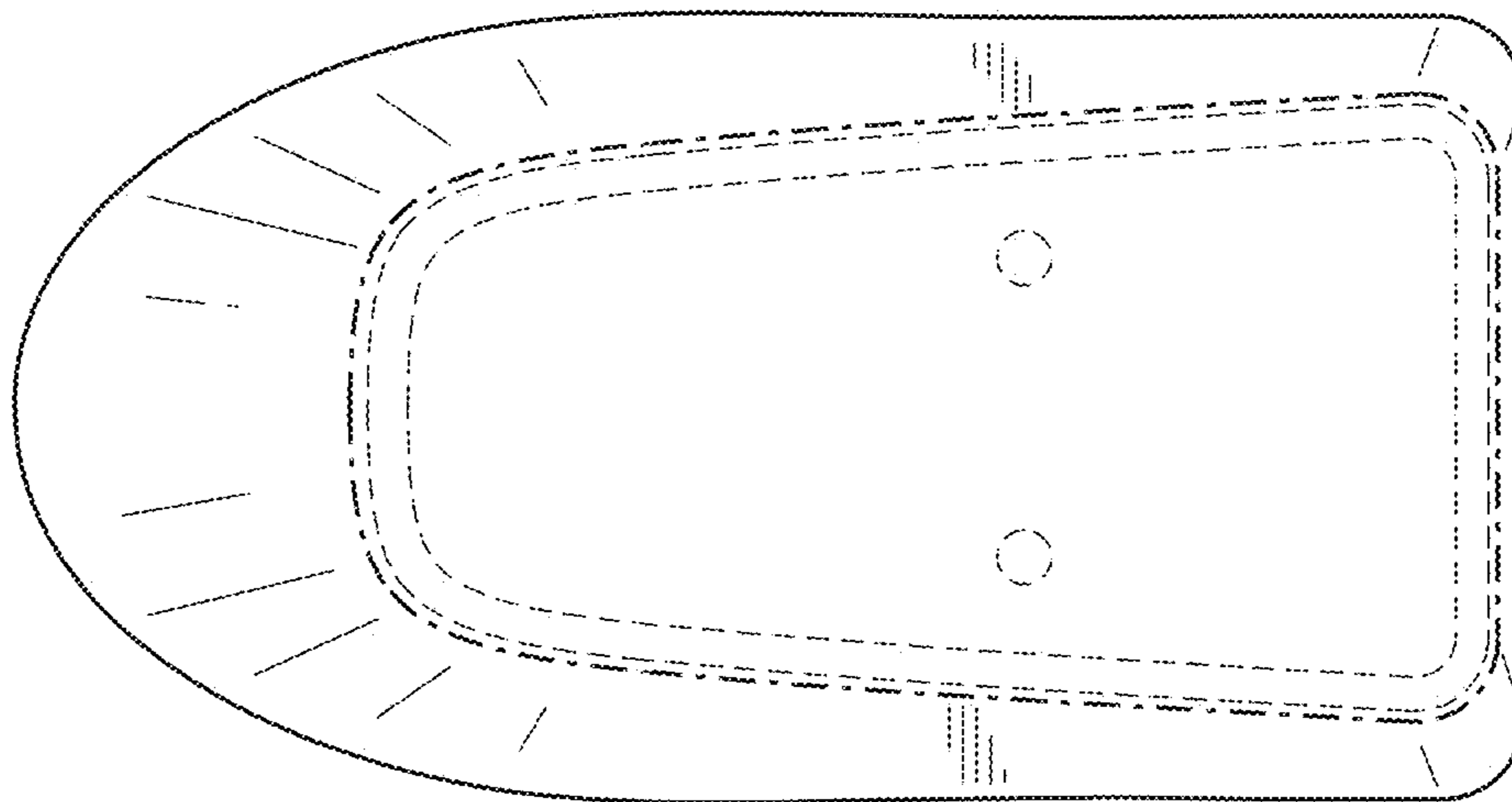


FIG. 7