



US00D875224S

(12) **United States Design Patent** (10) **Patent No.:** **US D875,224 S**  
**Bucher et al.** (45) **Date of Patent:** **\*\* Feb. 11, 2020**

(54) **WALL-HUNG TOILET**  
(71) Applicant: **AS AMERICA, INC.**, Piscataway, NJ (US)  
(72) Inventors: **Christophe Bucher**, Hillsborough, NJ (US); **David Grover**, Stockton, NJ (US)  
(73) Assignee: **AS AMERICA, INC.**, Piscataway, NJ (US)  
(\*\*) Term: **15 Years**  
(21) Appl. No.: **29/685,702**  
(22) Filed: **Mar. 29, 2019**

D355,711 S 2/1995 Nagato  
D502,765 S \* 3/2005 Bucher ..... D23/301  
6,979,027 B2 12/2005 Hetzler et al.  
(Continued)

**FOREIGN PATENT DOCUMENTS**

KR 2010007395 U 7/2010

**OTHER PUBLICATIONS**

Adjustable Fixture Supports for Siphon Jet Water Closets, Smith Mfg. Co. Apr. 3, 2012 (1 page).  
(Continued)

*Primary Examiner* — Robert A Delehanty  
(74) *Attorney, Agent, or Firm* — Venable LLP; Michele V. Frank

(57) **CLAIM**

The ornamental design for a wall-hung toilet, as shown and described.

**DESCRIPTION**

FIG. 1 is a perspective view of an embodiment of the wall-hung toilet;  
FIG. 2 is a front view thereof;  
FIG. 3 is a rear view thereof;  
FIG. 4 is a right view thereof;  
FIG. 5 is a left view thereof;  
FIG. 6 is a top view thereof;  
FIG. 7 is a bottom view thereof;  
FIG. 8 is a perspective view of an embodiment of the wall-hung toilet;  
FIG. 9 is a front view thereof;  
FIG. 10 is a rear view thereof;  
FIG. 11 is a right view thereof;  
FIG. 12 is a left view thereof;  
FIG. 13 is a top view thereof; and,  
FIG. 14 is a bottom view thereof.  
The features shown in broken lines form no part of the claimed design.

**Related U.S. Application Data**

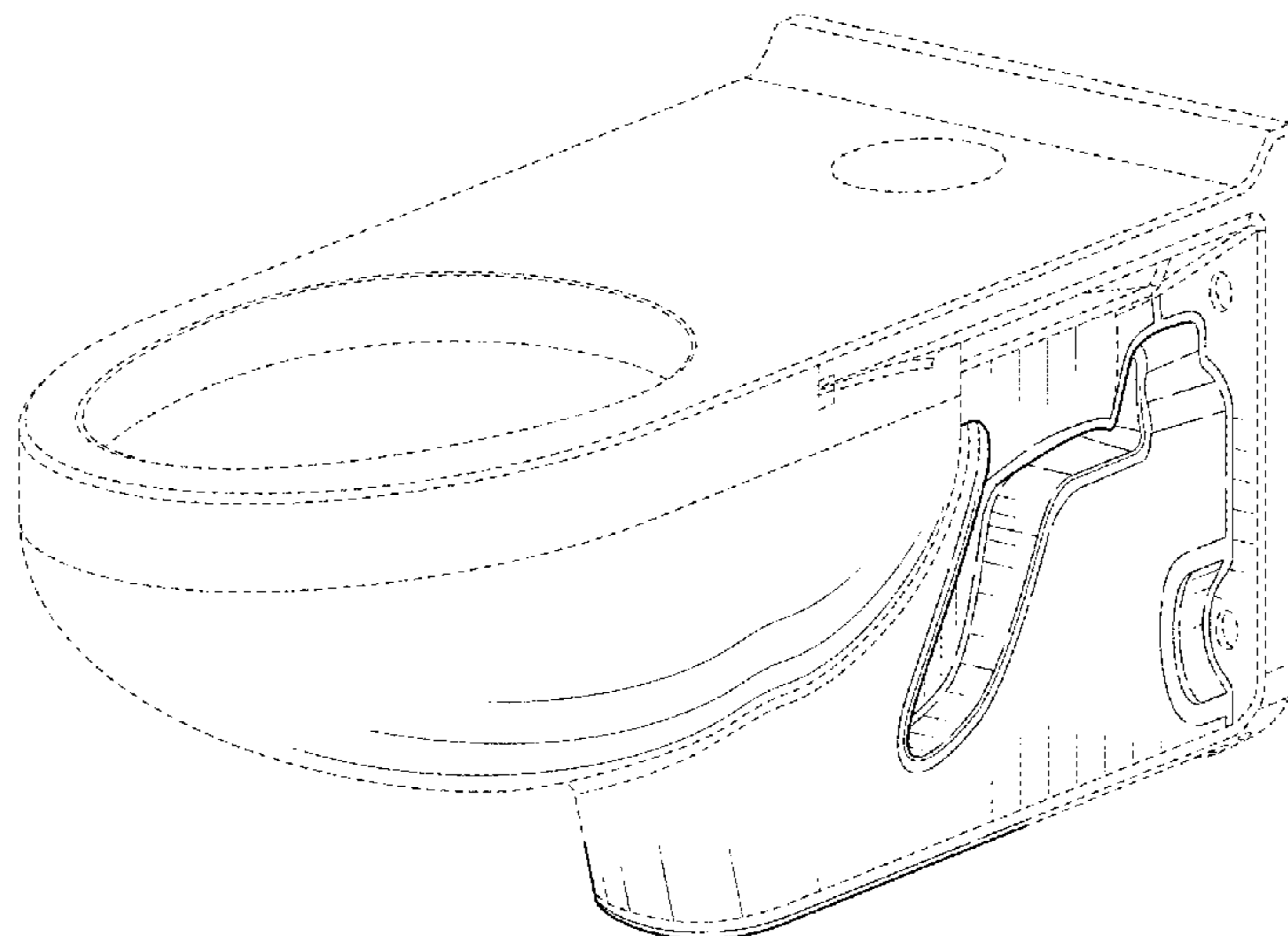
(63) Continuation of application No. 15/646,513, filed on Jul. 11, 2017, which is a continuation of application No. 14/522,413, filed on Oct. 23, 2014, now Pat. No. 9,732,507.  
(51) **LOC (12) Cl.** ..... **23-02**  
(52) **U.S. Cl.**  
USPC ..... **D23/300**  
(58) **Field of Classification Search**  
USPC ..... D23/295, 300–301, 309, 313  
CPC .. E03D 1/00; E03D 1/01; E03D 1/012; E03D 1/04; E03D 1/06; E03D 1/08; E03D 1/28; E03D 1/13; E03D 2201/30; E03D 11/08; E03D 11/18; E03D 13/00; D03D 5/10; A47K 11/00  
See application file for complete search history.

(56) **References Cited**

**U.S. PATENT DOCUMENTS**

2,071,337 A 2/1937 Groeniger  
D187,854 S 5/1960 Dreyfuss  
3,181,178 A 5/1965 Lerou et al.  
3,576,038 A 4/1971 Dirks et al.

**1 Claim, 10 Drawing Sheets**



(56)

**References Cited**

U.S. PATENT DOCUMENTS

7,020,908	B2 *	4/2006	Kuru .....	E03D 11/02 4/420
D596,276	S	7/2009	Espinoza	
D606,178	S	12/2009	Cummings et al.	
D621,487	S	8/2010	Toyohara	
7,827,628	B2	11/2010	Ichiki et al.	
8,032,956	B2	10/2011	Prokopenko et al.	
8,037,552	B2	10/2011	Ichiki et al.	
8,122,524	B2	2/2012	Brescia	
D658,278	S *	4/2012	Wang .....	D23/295
8,321,967	B2	12/2012	Mesun et al.	
8,544,121	B1	10/2013	Majocka et al.	
D703,797	S	4/2014	Shinozaki	
D712,529	S *	9/2014	Bucher .....	D23/309
D760,366	S	6/2016	Cummings	
D765,228	S	8/2016	Cummings	
9,732,507	B2 *	8/2017	Bucher .....	E03D 11/14
2003/0213055	A1 *	11/2003	Yoneda .....	E03D 11/16 4/420
2007/0277302	A1	12/2007	Ichiki et al.	
2012/0186008	A1	7/2012	Sneve et al.	
2013/0219605	A1	8/2013	Grover et al.	
2014/0259351	A1	9/2014	Spankowski et al.	
2015/0107011	A1	4/2015	Bucher et al.	

OTHER PUBLICATIONS

Carriers, Fixtures, & Piping, William M. Smith, [www.pmengineer.com](http://www.pmengineer.com) <<http://www.pmengineer.com>>, p. 28-33, Feb. 2007 (5 pages).  
 Final Office Action in related U.S. Appl. No. 15/646,513 dated Mar. 7, 2019.  
 Non-Final Office Action in related U.S. Appl. No. 14/522,413 dated Oct. 7, 2016.  
 Non-Final Office Action in related U.S. Appl. No. 15/646,513 dated Aug. 9, 2018.  
 Notice of Allowance, Notice of Allowability and Supplemental Notice of Allowability in related U.S. Appl. No. 14/522,413 dated Apr. 11 and Jun. 13, 2017.  
 Notice on the First Office Action issued in Chinese Application No. 2014800580147 dated Dec. 19, 2016.  
 Notice on the Second Office Action issued in Chinese Application No. 2014800580147 dated Sep. 4, 2017, with English translation (8 pages).  
 PCT International Preliminary Report on Patentability in Application No. PCT/US2014/062046 dated Apr. 26, 2016 (6 pages).  
 PCT International Search Report and Written Opinion in Application No. PCT/US2014/062046 dated Feb. 18, 2015 (8 pages).  
 Smith Water Closet Supports Technical Data, Smith Mfg. Co. (5 pages).

\* cited by examiner

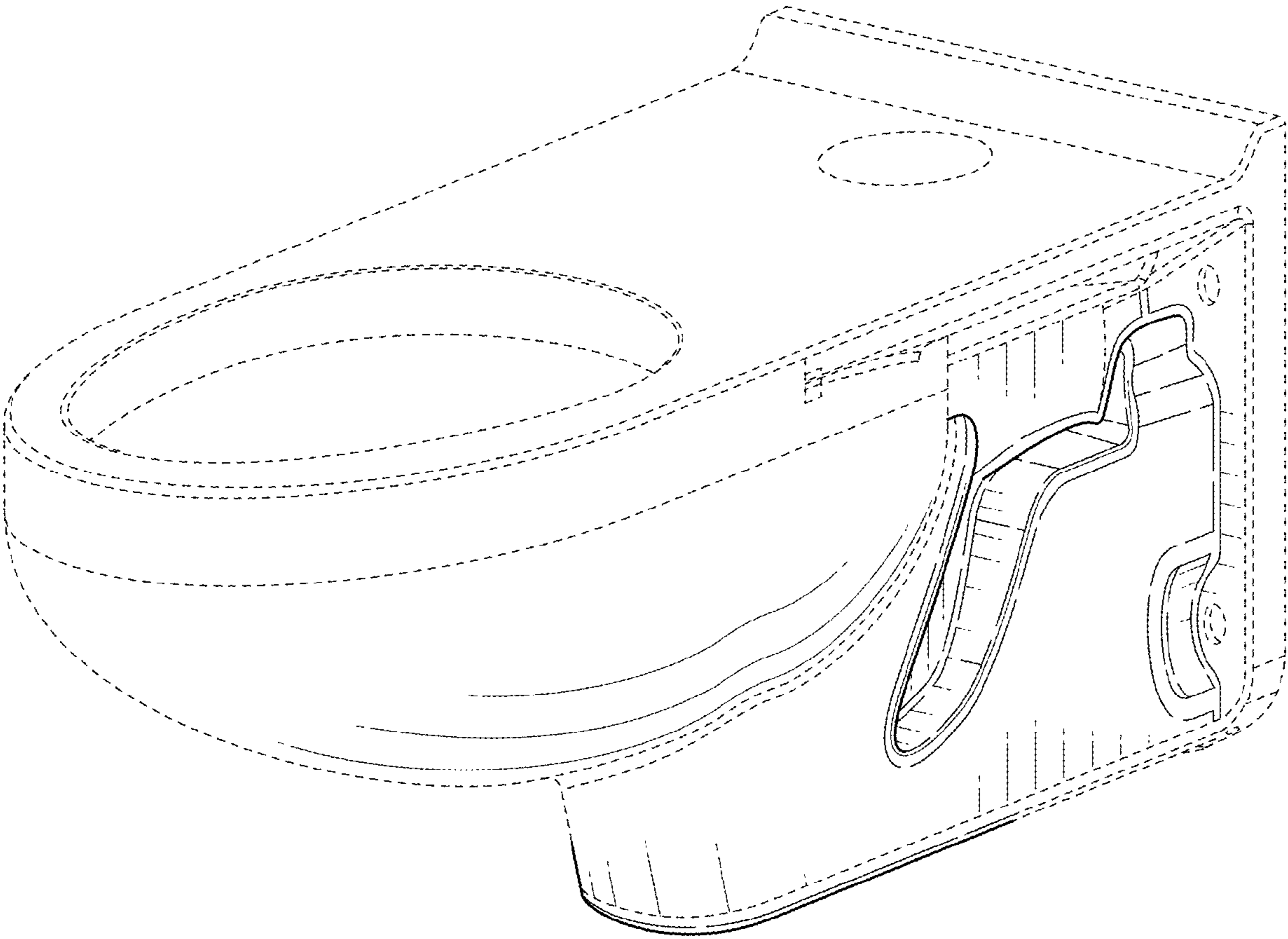


FIG. 1

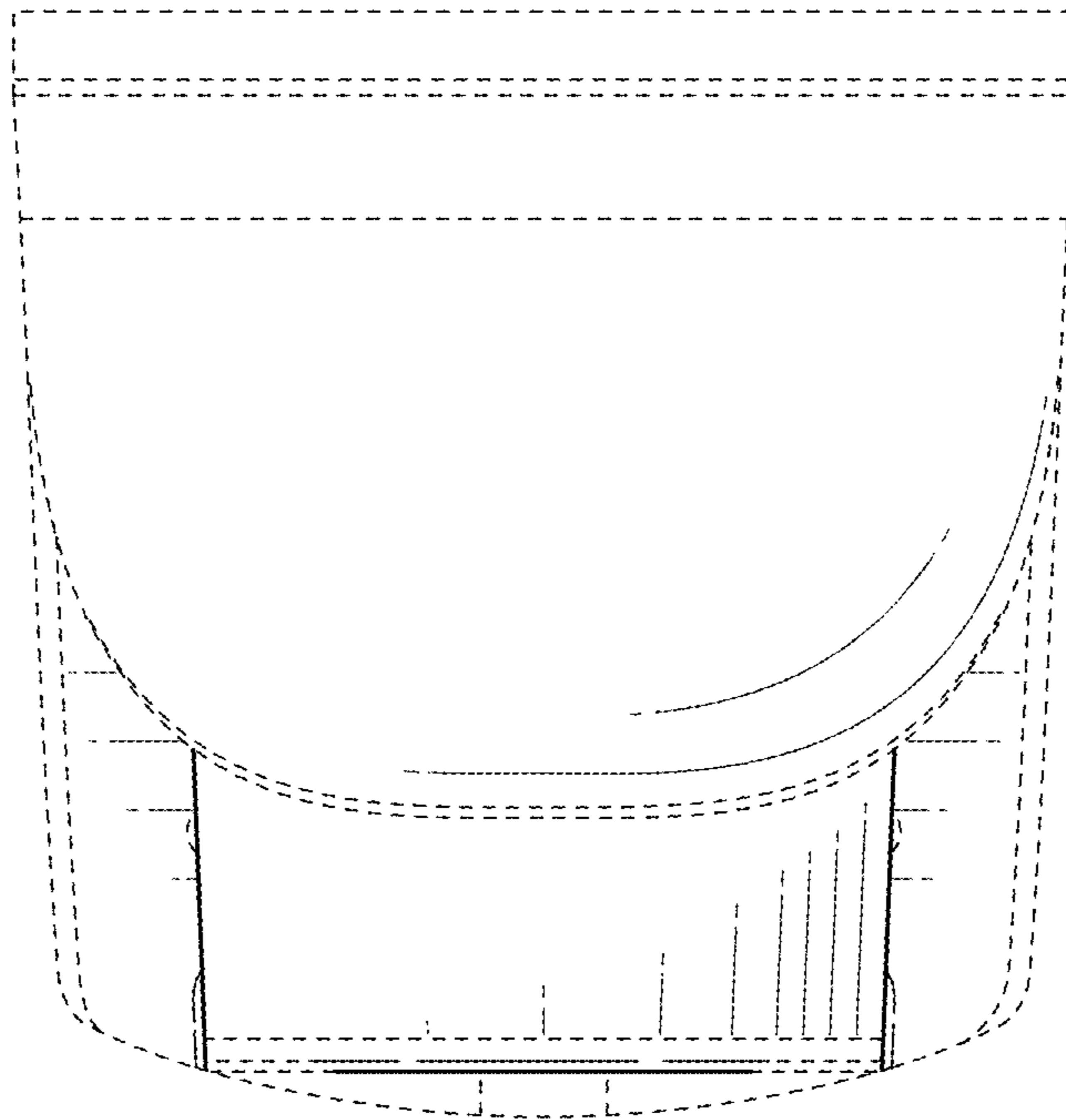


FIG. 2

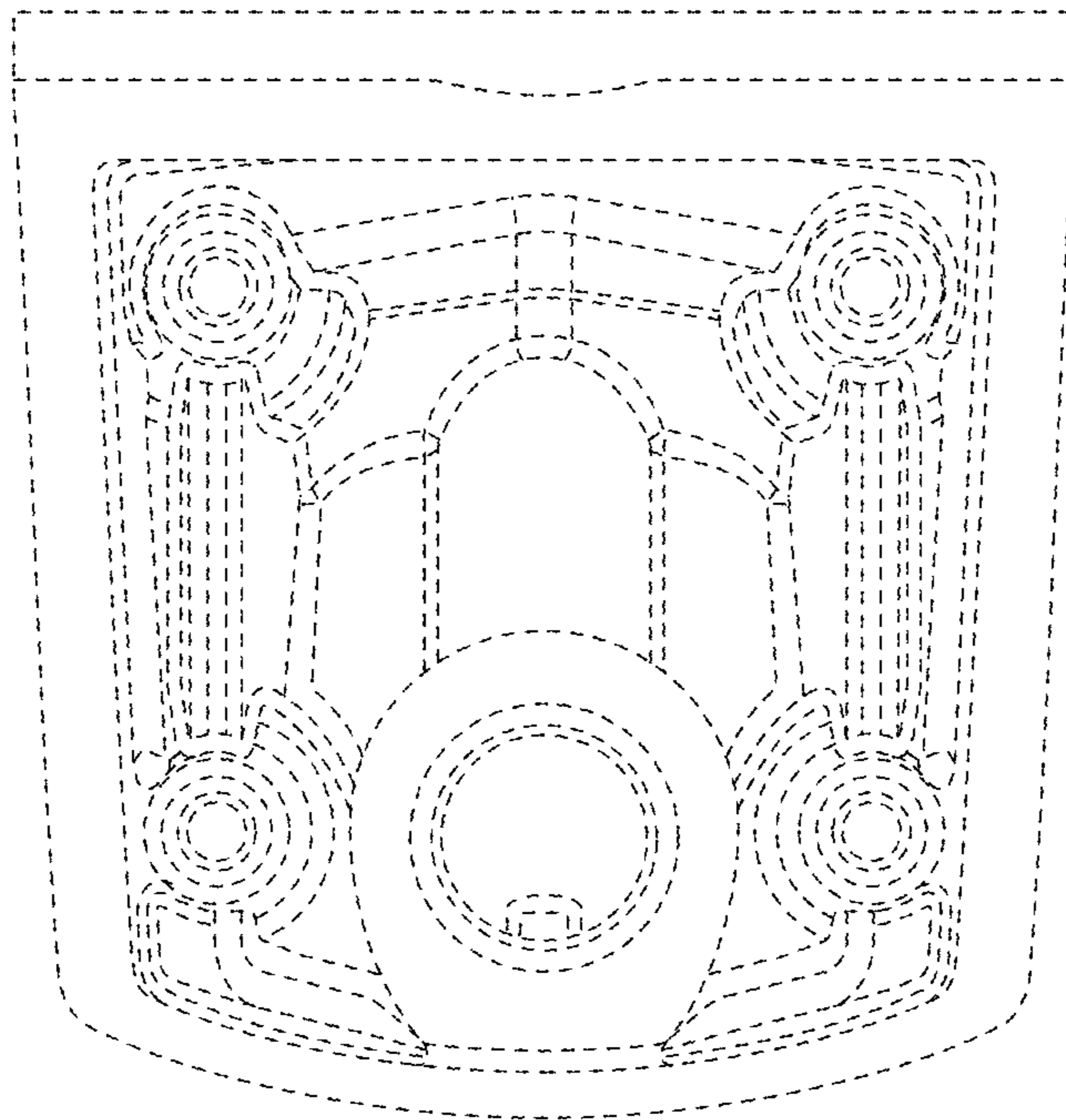


FIG. 3



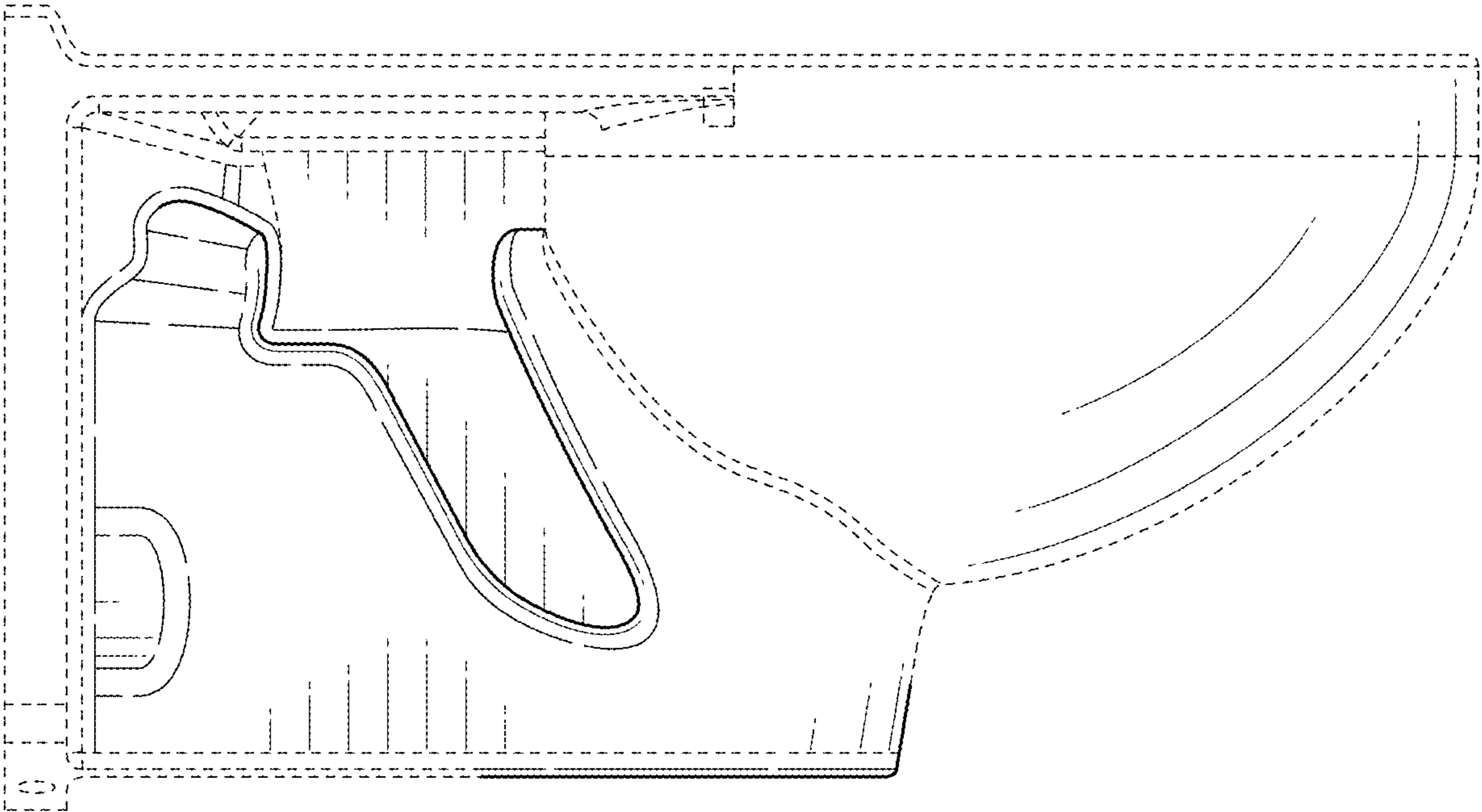


FIG. 4

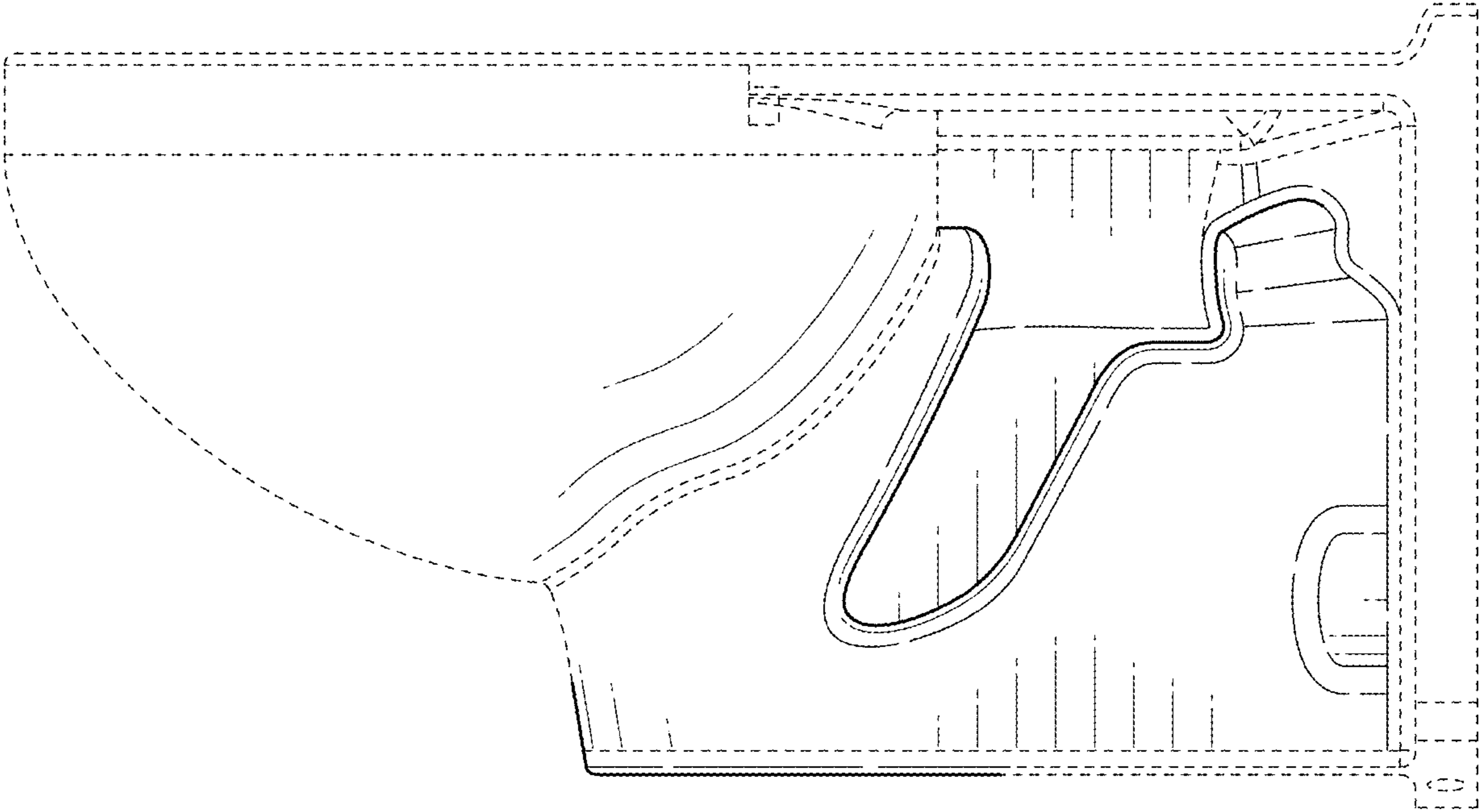


FIG. 5

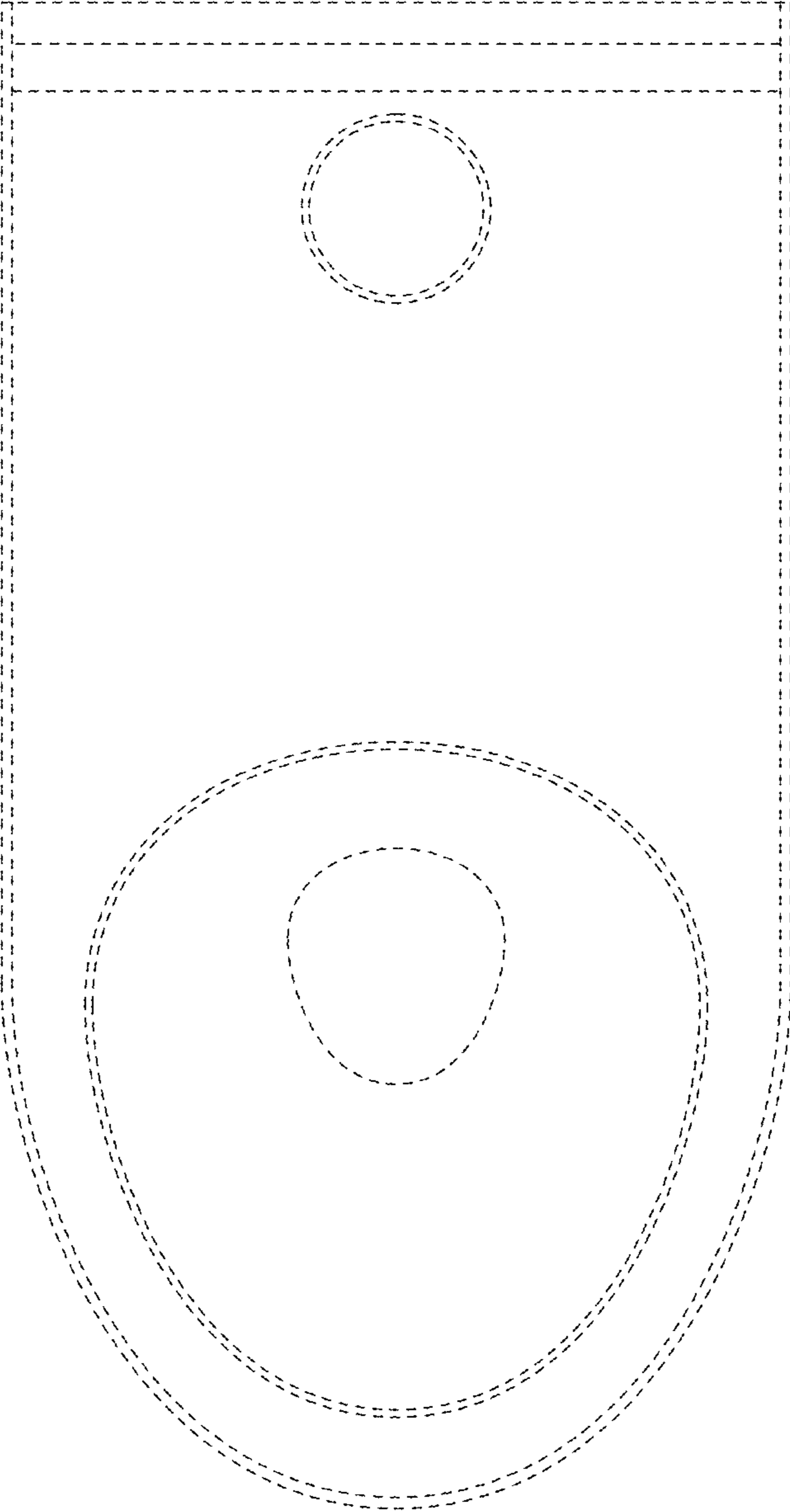


FIG. 6

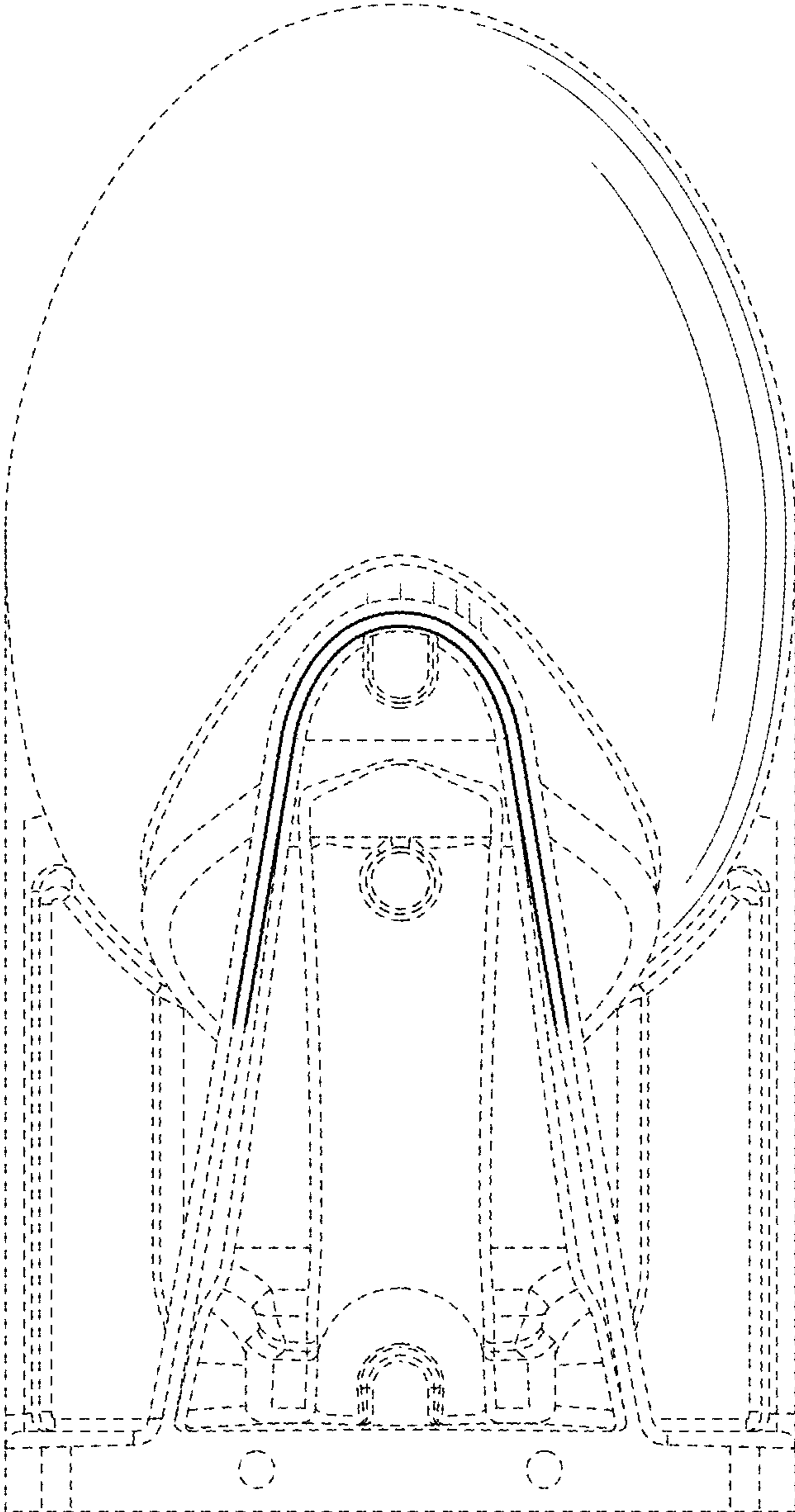


FIG. 7

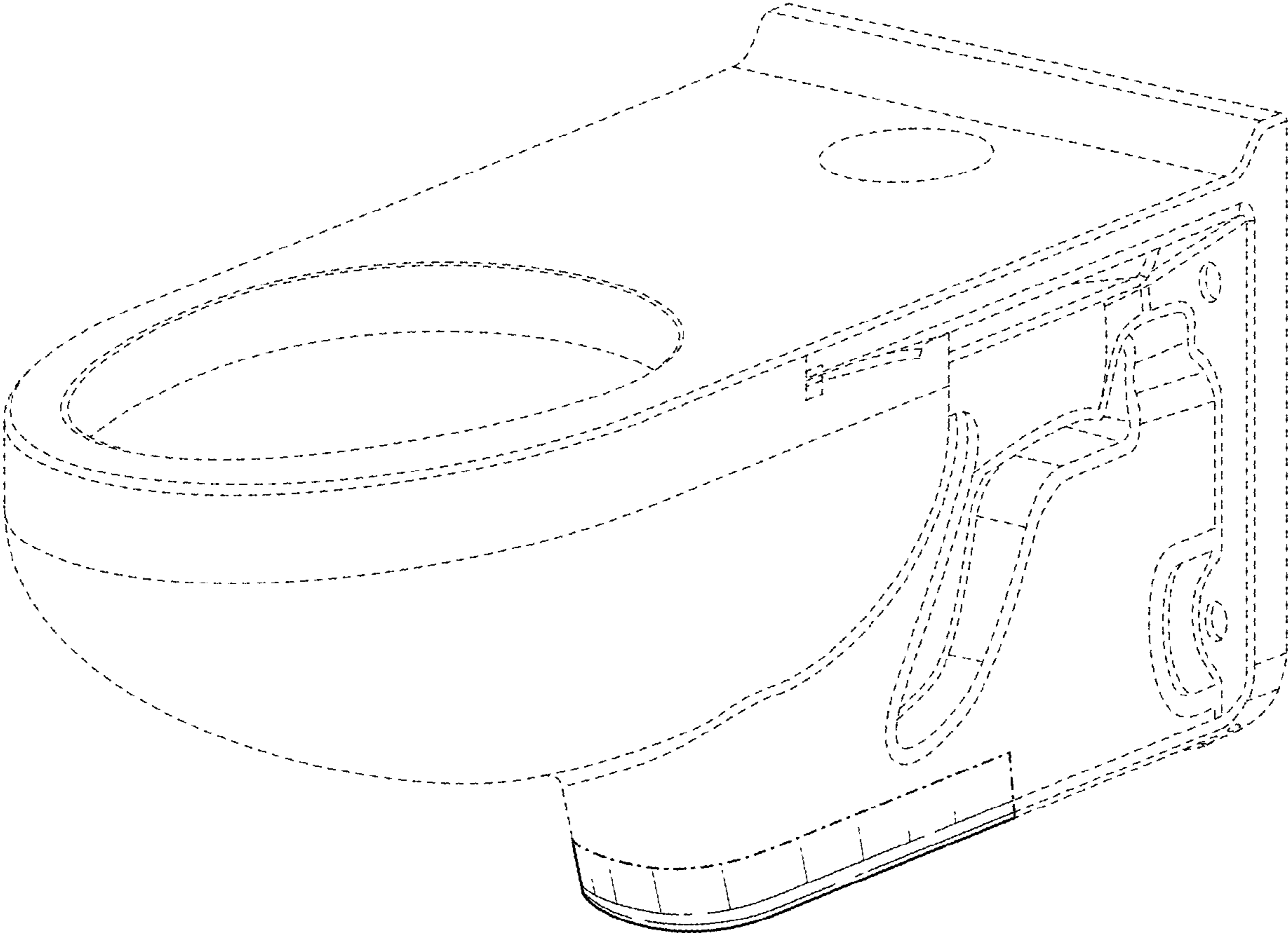


FIG. 8



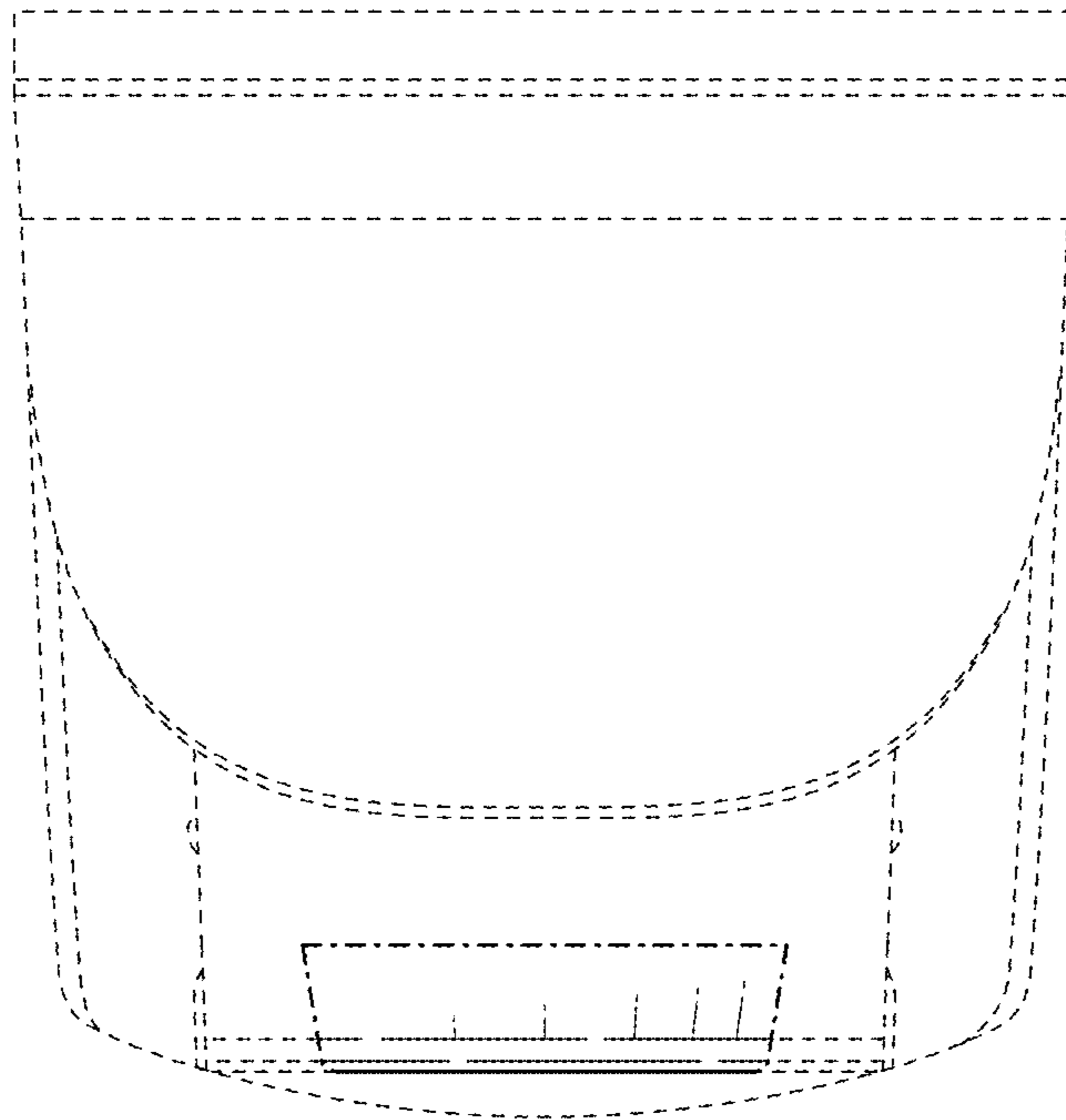


FIG. 9

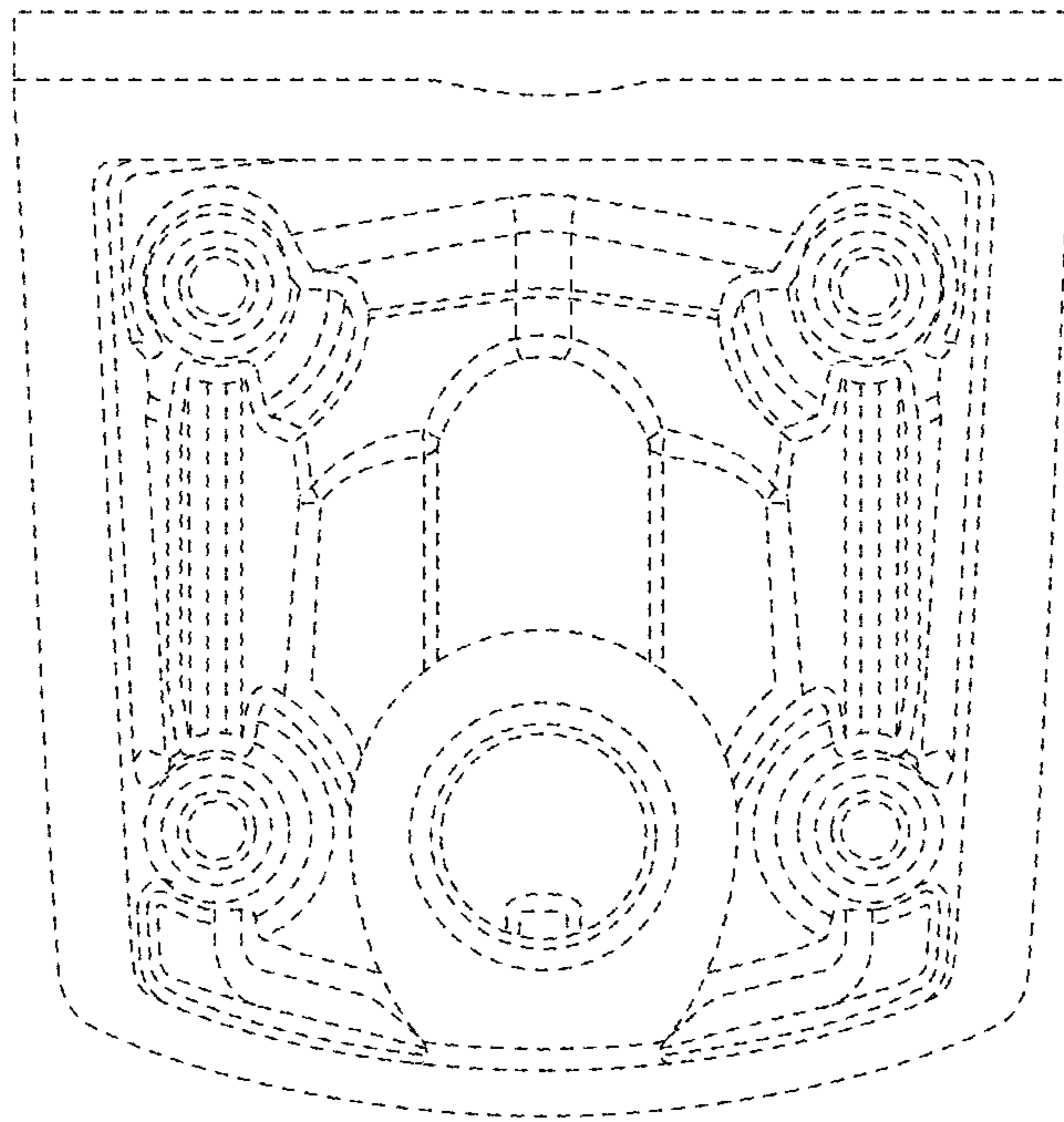


FIG. 10

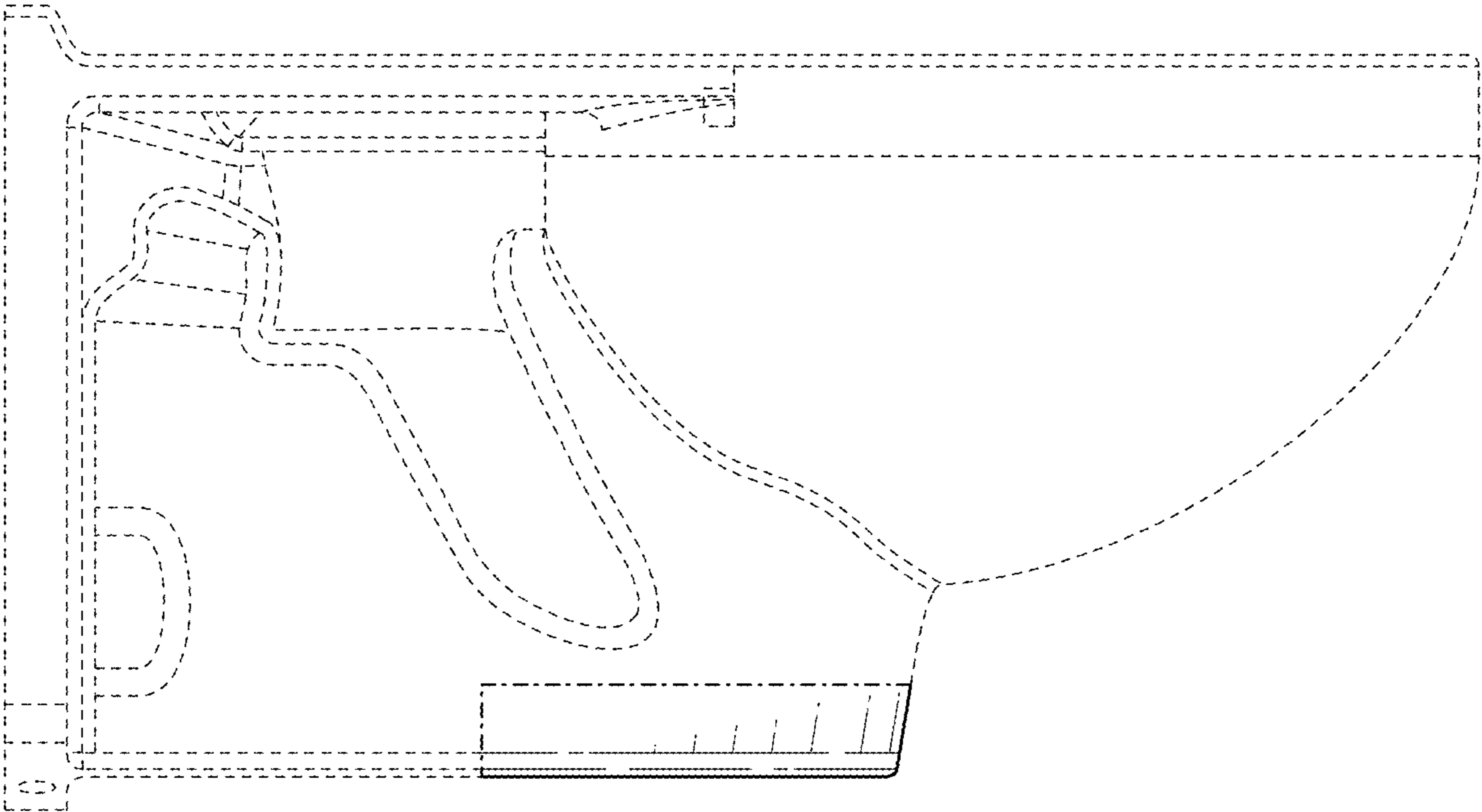


FIG. 11

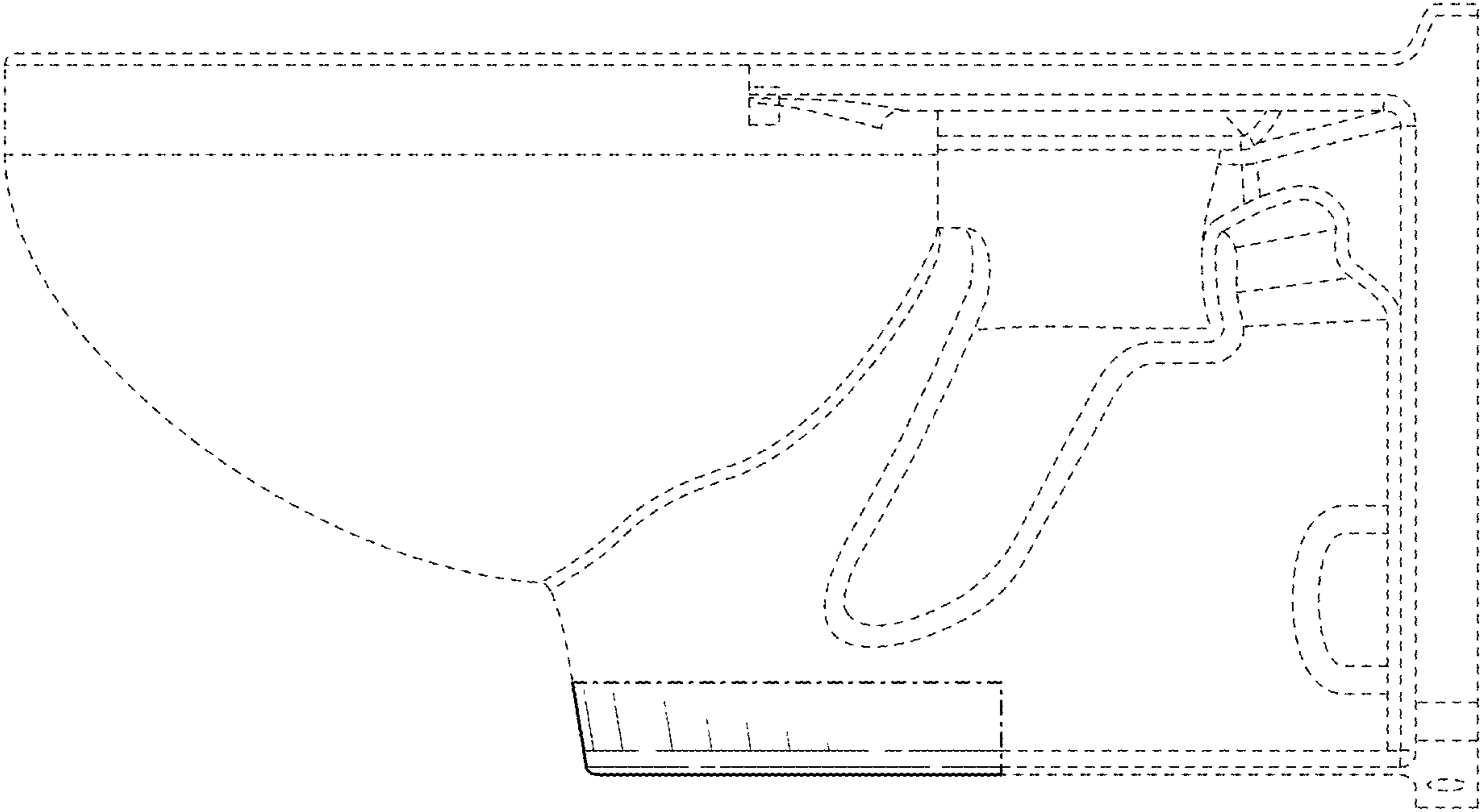


FIG. 12

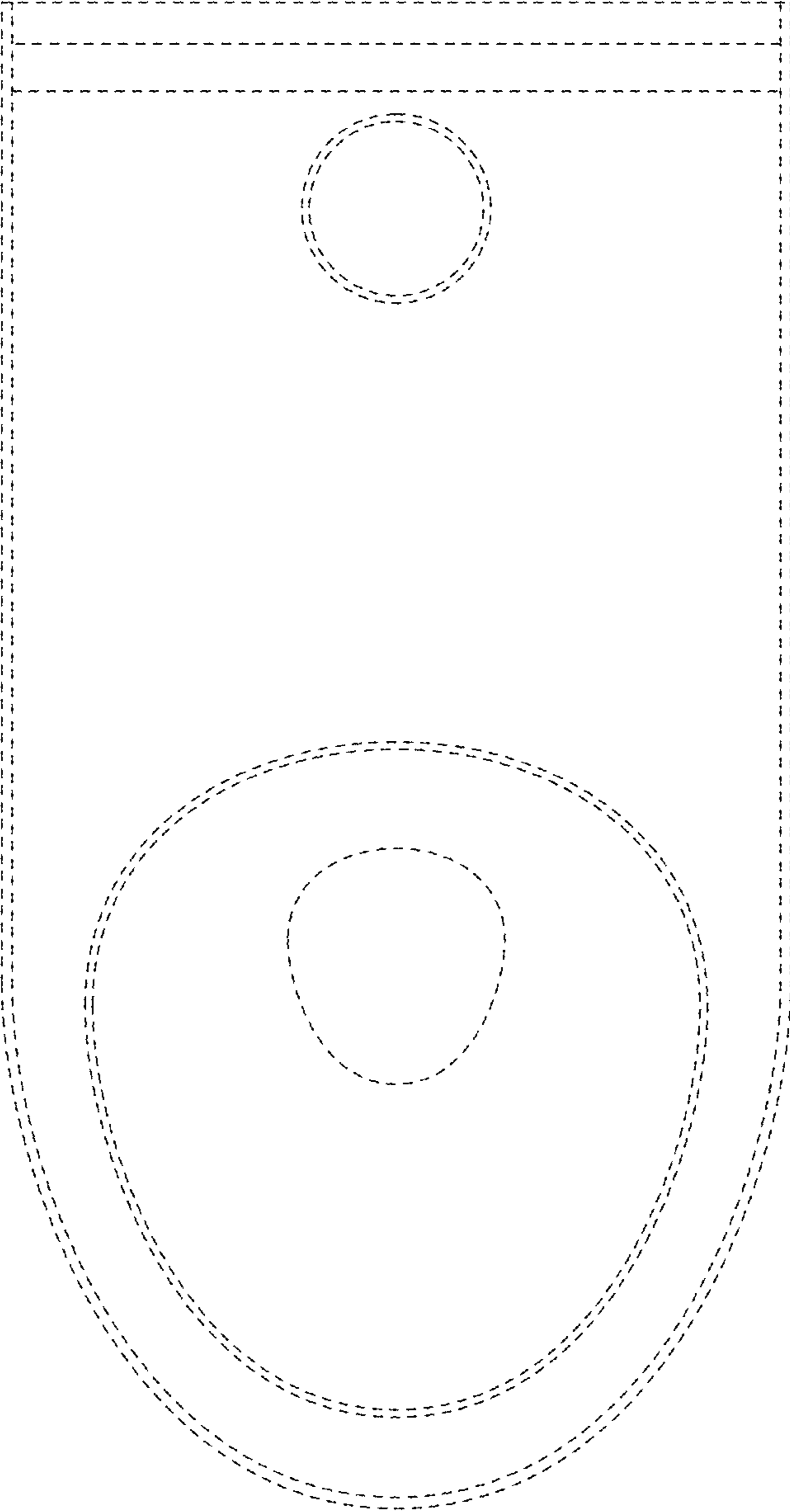


FIG. 13

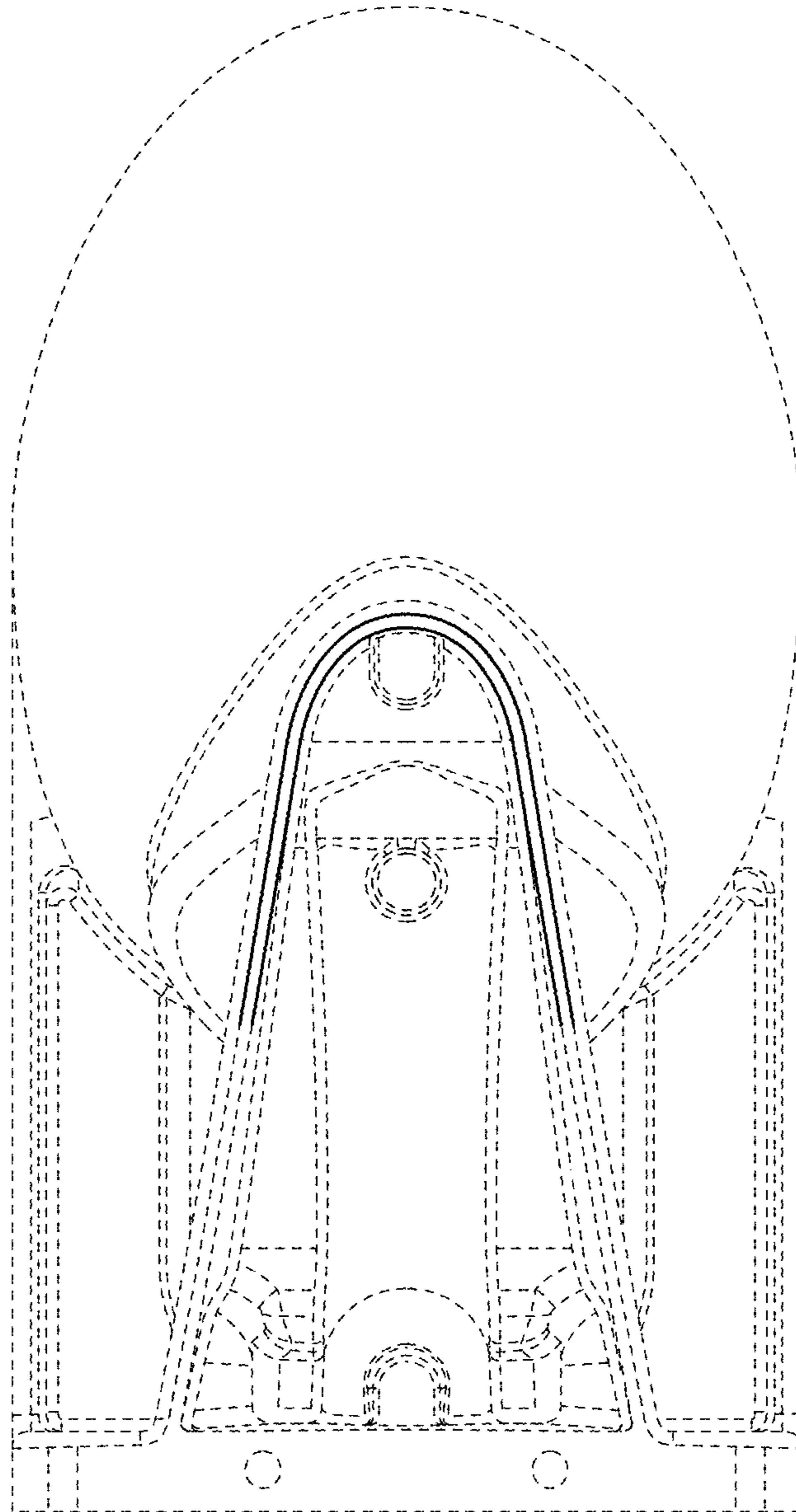


FIG. 14