



US00D875221S

(12) **United States Design Patent** (10) **Patent No.:** **US D875,221 S**
Huettemann et al. (45) **Date of Patent:** **** Feb. 11, 2020**

(54) **PIPE COUPLING**

(71) Applicant: **Victaulic Company**, Easton, PA (US)

(72) Inventors: **Matthew K. Huettemann**, Allentown, PA (US); **Joseph C. Ramirez**, Breinigsville, PA (US); **Philip W. Bancroft**, Belvidere, NJ (US)

(73) Assignee: **Victaulic Company**, Easton, PA (US)

(**) Term: **15 Years**

(21) Appl. No.: **29/643,561**

(22) Filed: **Apr. 10, 2018**

Related U.S. Application Data

(62) Division of application No. 29/598,952, filed on Mar. 30, 2017, now Pat. No. Des. 820,074.

(51) **LOC (12) Cl.** **23-01**

(52) **U.S. Cl.**
USPC **D23/262**

(58) **Field of Classification Search**
USPC D8/394-396, 71-72, 79, 367;
D23/259-265; D6/217; D13/102
CPC H01L 31/042; A47H 1/00; A47H 1/16;
F41C 33/00; F41C 33/02; A45C 13/10
See application file for complete search history.

(56) **References Cited**

U.S. PATENT DOCUMENTS

D142,057 S 8/1945 Baxter
2,752,173 A * 6/1956 Krooss F16L 17/04
285/232
D189,229 S * 11/1960 Bowne D23/265
4,784,363 A 11/1988 Brown
D298,802 S 12/1988 Tekirian
5,058,931 A 10/1991 Bowsher
D322,026 S * 12/1991 Kanao D8/396
5,230,537 A 7/1993 Newman
D396,801 S 8/1998 Petty

D420,569 S * 2/2000 Evans D8/382
D427,052 S * 6/2000 Nagato D8/396
D540,158 S * 4/2007 Smith D8/396
D553,971 S 10/2007 Krueger
D568,970 S 5/2008 Gibb
D568,971 S * 5/2008 Gibb D23/262
D577,423 S 9/2008 Dole
D583,444 S 12/2008 Nagle

(Continued)

FOREIGN PATENT DOCUMENTS

KR 300595318.0000 * 4/2011

OTHER PUBLICATIONS

Victaulic Pipe Fitting QuickVic Coupling, <https://www.ebay.com/p/Victaulic-Pipe-Fitting-QuickVic-Coupling-107N-2-or-60-3mm/1975761331?iid=311808129873&chn=ps>, site visited Apr. 15, 2019.*

(Continued)

Primary Examiner — Eric L Goodman

Assistant Examiner — John R Yeh

(74) *Attorney, Agent, or Firm* — Ballard Spahr LLP

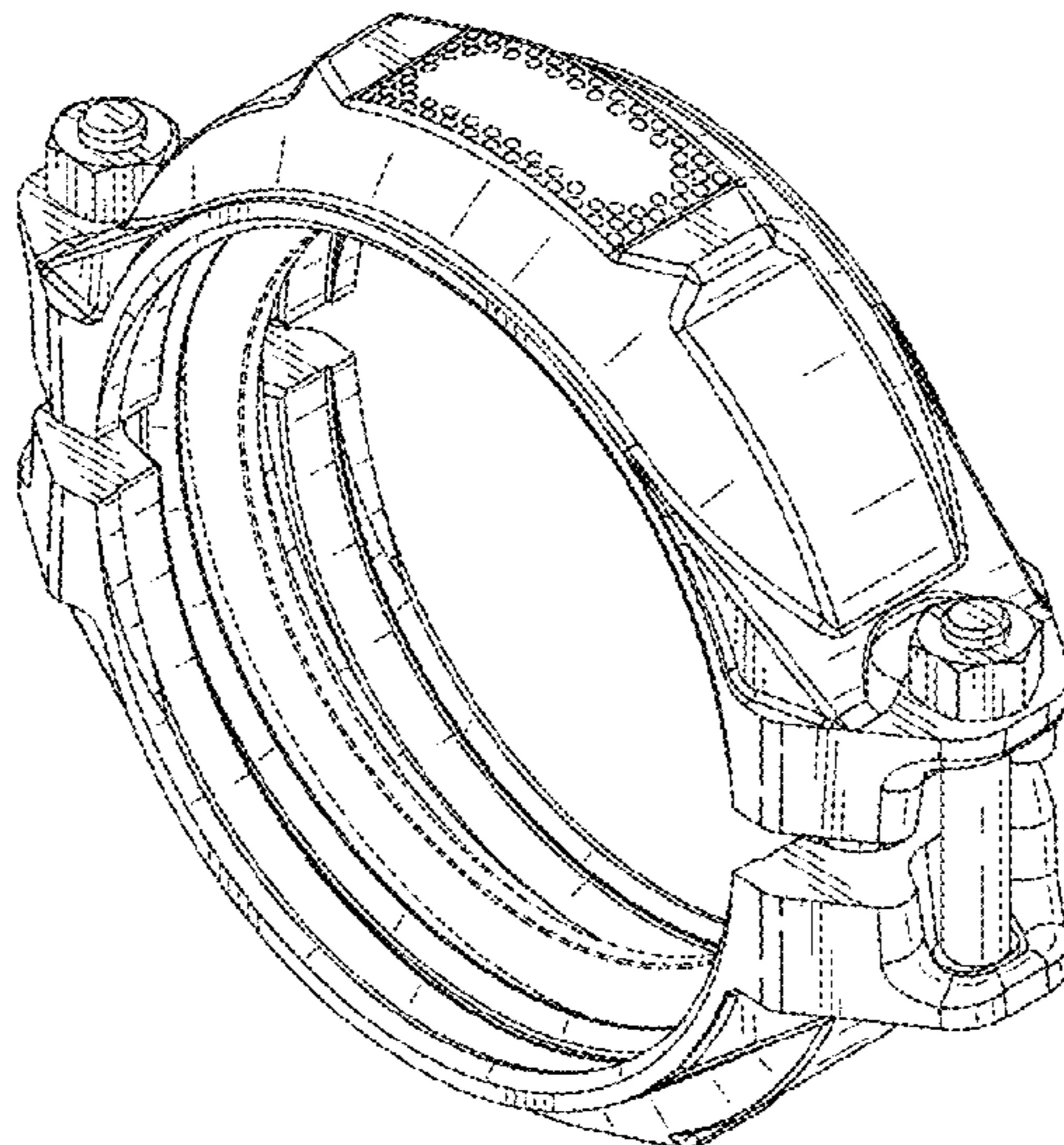
(57) **CLAIM**

We claim the ornamental design for a pipe coupling, as shown and described.

DESCRIPTION

FIG. 1 is an isometric view for our design for a pipe coupling;
FIG. 2 is a front view thereof, the rear view being a mirror image thereof;
FIG. 3 is a left side view thereof, the right side view being a mirror image thereof;
FIG. 4 is a top view thereof; and,
FIG. 5 is a bottom view thereof.
The broken lines depict portions of the pipe coupling that form no part of the claimed design.

1 Claim, 3 Drawing Sheets



(56)

References Cited

U.S. PATENT DOCUMENTS

D583,914 S * 12/2008 Pierce D23/262
 D583,916 S * 12/2008 Madara D23/265
 D587,347 S * 2/2009 Madara D23/265
 D587,349 S 2/2009 Madara
 D590,924 S * 4/2009 Nagle D23/262
 D597,635 S 8/2009 Dole
 D602,127 S * 10/2009 Shah D23/262
 D605,734 S * 12/2009 Henry D23/262
 D605,736 S * 12/2009 Porter D23/262
 D607,549 S * 1/2010 Shah D23/262
 D618,312 S * 6/2010 Madara D23/262
 D618,314 S * 6/2010 Bowman D23/262
 D626,200 S * 10/2010 Bowman D23/262
 D629,072 S * 12/2010 Madara D23/262
 D629,074 S 12/2010 Shah
 D629,075 S * 12/2010 Madara D23/262
 D629,076 S 12/2010 Madara
 D629,080 S * 12/2010 Dole D23/262
 D629,496 S 12/2010 Madara
 D633,600 S * 3/2011 Madara D23/262
 D636,470 S * 4/2011 Dole D23/262
 D651,290 S * 12/2011 Shah D23/262
 D653,103 S 1/2012 Tomasi
 D681,440 S 5/2013 Yu
 D692,294 S 10/2013 Koeniger
 D721,950 S * 2/2015 Quinlan D8/396
 D750,957 S * 3/2016 Cuvo D8/396

D755,621 S 5/2016 Madara
 D756,612 S 5/2016 Broderick
 9,361,746 B2 6/2016 Otzen
 D767,103 S * 9/2016 Sewell D23/262
 D769,384 S * 10/2016 Altemus, Jr. D21/753
 9,631,746 B2 * 4/2017 Beagen, Jr. F16L 17/025
 D805,888 S 12/2017 De Los Santos
 D813,657 S * 3/2018 Bowman D8/395
 D828,748 S * 9/2018 Bancroft D8/396
 D836,184 S * 12/2018 Lippka D23/262
 D839,399 S * 1/2019 Lippka D23/262
 D850,900 S * 6/2019 Yesavage D8/396
 D858,266 S * 9/2019 Bowman D8/395
 2004/0036291 A1 2/2004 Dole
 2005/0242585 A1 11/2005 Dole
 2008/0048444 A1 * 2/2008 Porter F16L 17/04
 285/367
 2015/0369405 A1 12/2015 Vandal
 2016/0186902 A1 * 6/2016 Lee F16L 21/06
 285/420

OTHER PUBLICATIONS

Swivel Duo Purpose I-Bolt Clamp, https://www.scaffoldexpress.com/...0ARIsAAcYycFh9wJh1Y-p_fBnsgetBFJUsGzAdWN3ydaKj17hGKZ7UJ-hMUOtK6waAgixEALw_wcB, site visited Mar. 29, 2019.*

* cited by examiner

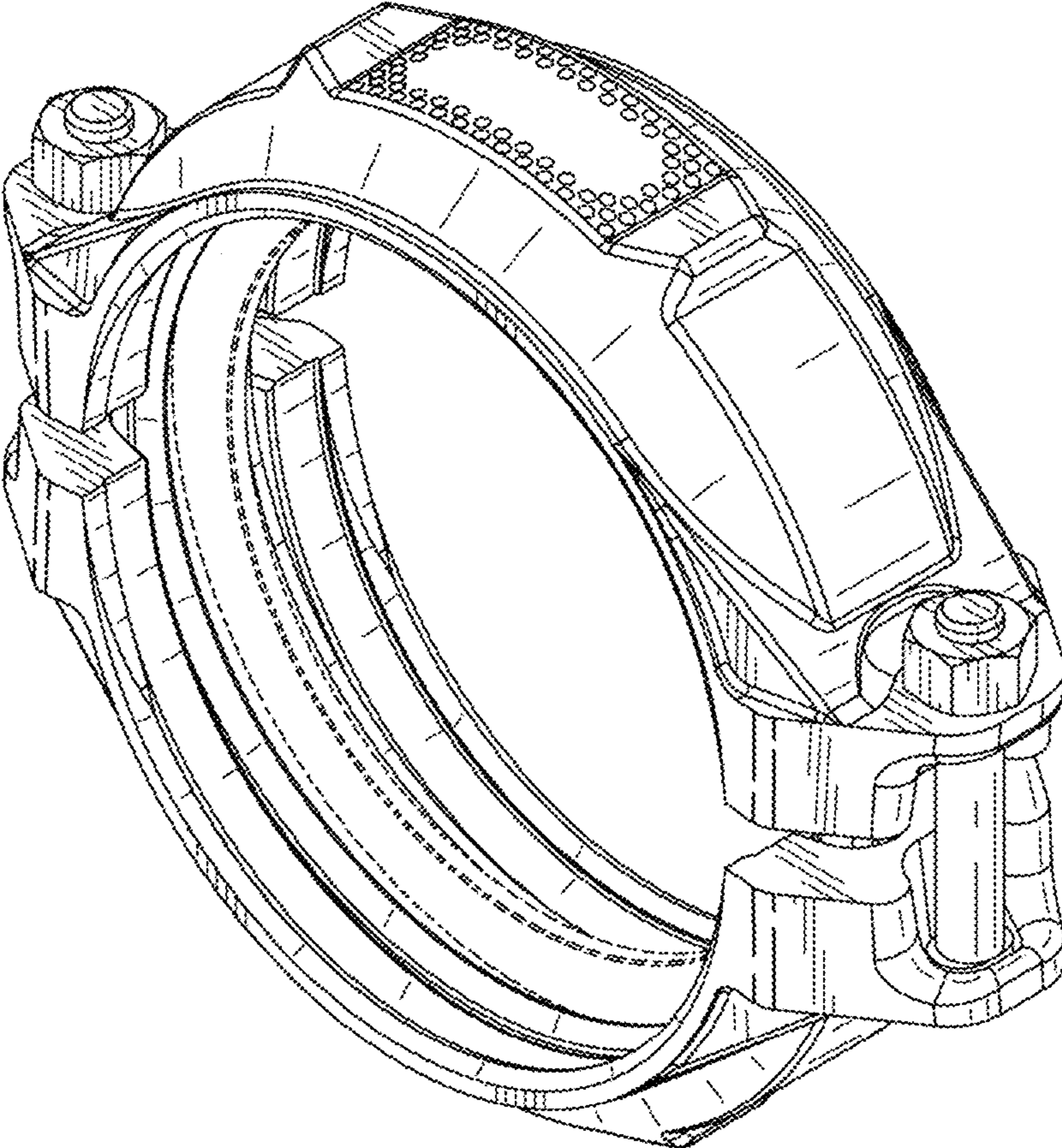


FIG. 1

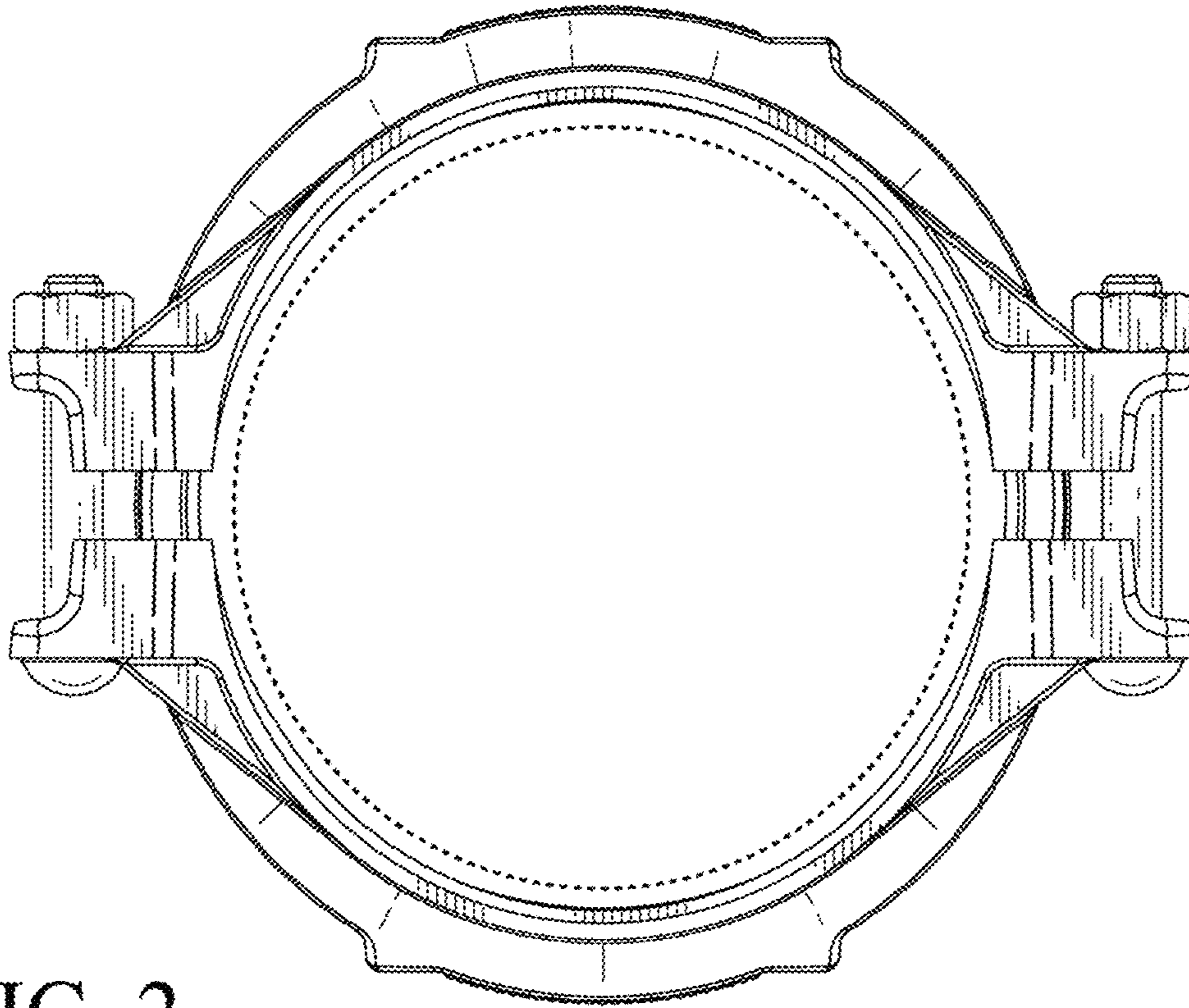


FIG. 2

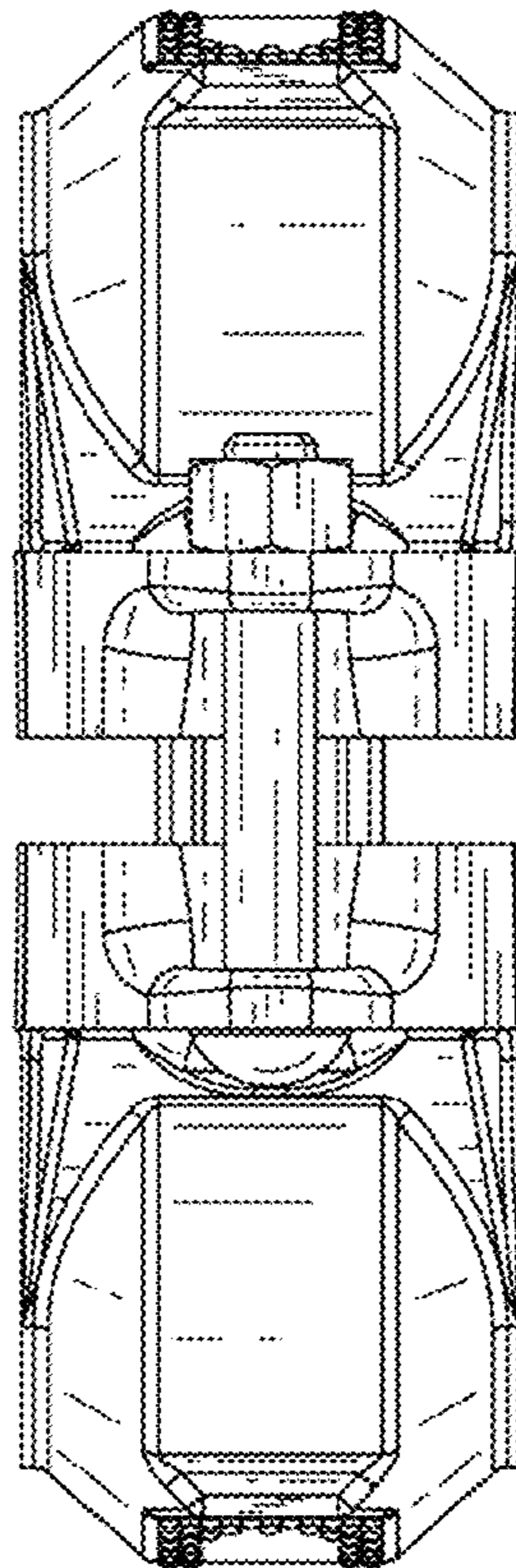


FIG. 3

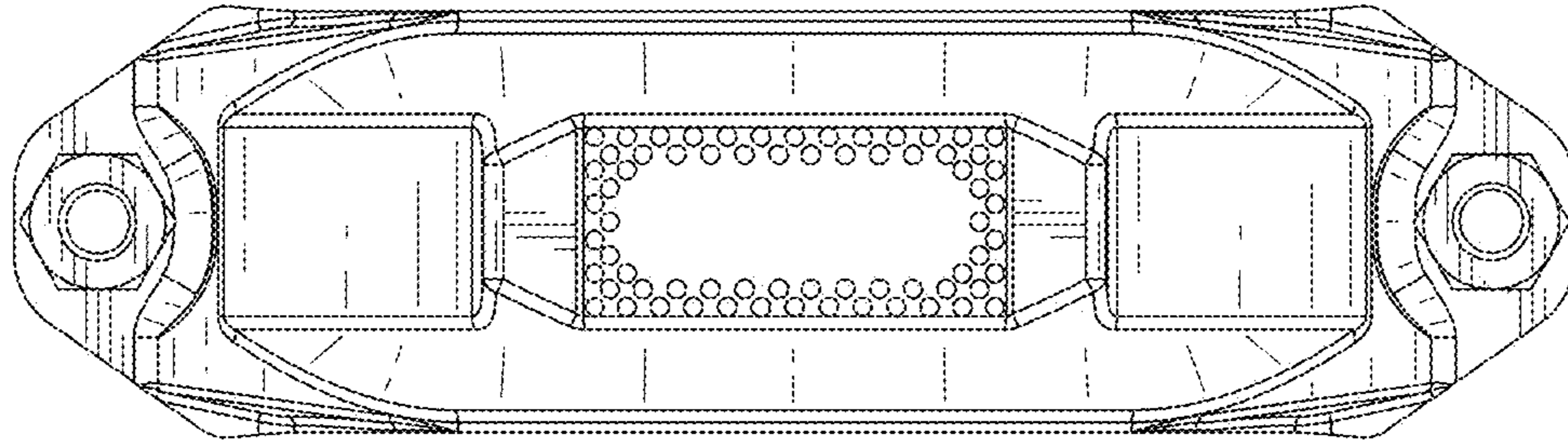


FIG. 4

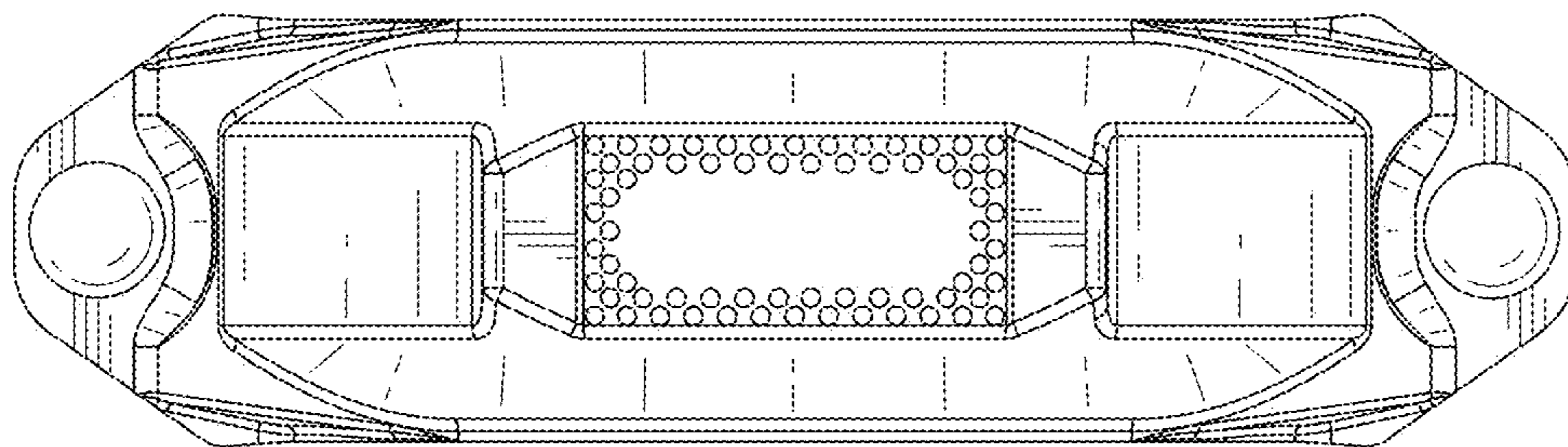


FIG. 5