



US00D875217S

(12) **United States Design Patent**
Bahler

(10) **Patent No.:** **US D875,217 S**

(45) **Date of Patent:** **** Feb. 11, 2020**

(54) **FAUCET BODY**

D491,637 S * 6/2004 Lin D23/255
D708,713 S * 7/2014 Yu D23/238
D756,486 S * 5/2016 Schoenherr D23/238

(71) Applicant: **DELTA FAUCET COMPANY,**
Indianapolis, IN (US)

* cited by examiner

(72) Inventor: **Jordan Bahler,** Frankfort, IN (US)

Primary Examiner — Robert A Delehanty

(73) Assignee: **DELTA FAUCET COMPANY,**
Indianapolis, IN (US)

(74) *Attorney, Agent, or Firm* — Edgar A. Zarins; Nirav
D. Parikh

(**) Term: **15 Years**

(57) **CLAIM**

(21) Appl. No.: **29/642,452**

The ornamental design for a faucet body, as shown and
described.

(22) Filed: **Mar. 29, 2018**

DESCRIPTION

(51) **LOC (12) Cl.** **23-01**

(52) **U.S. Cl.**
USPC **D23/238**

(58) **Field of Classification Search**
USPC D23/238–243, 255, 257
CPC E03C 1/0412
See application file for complete search history.

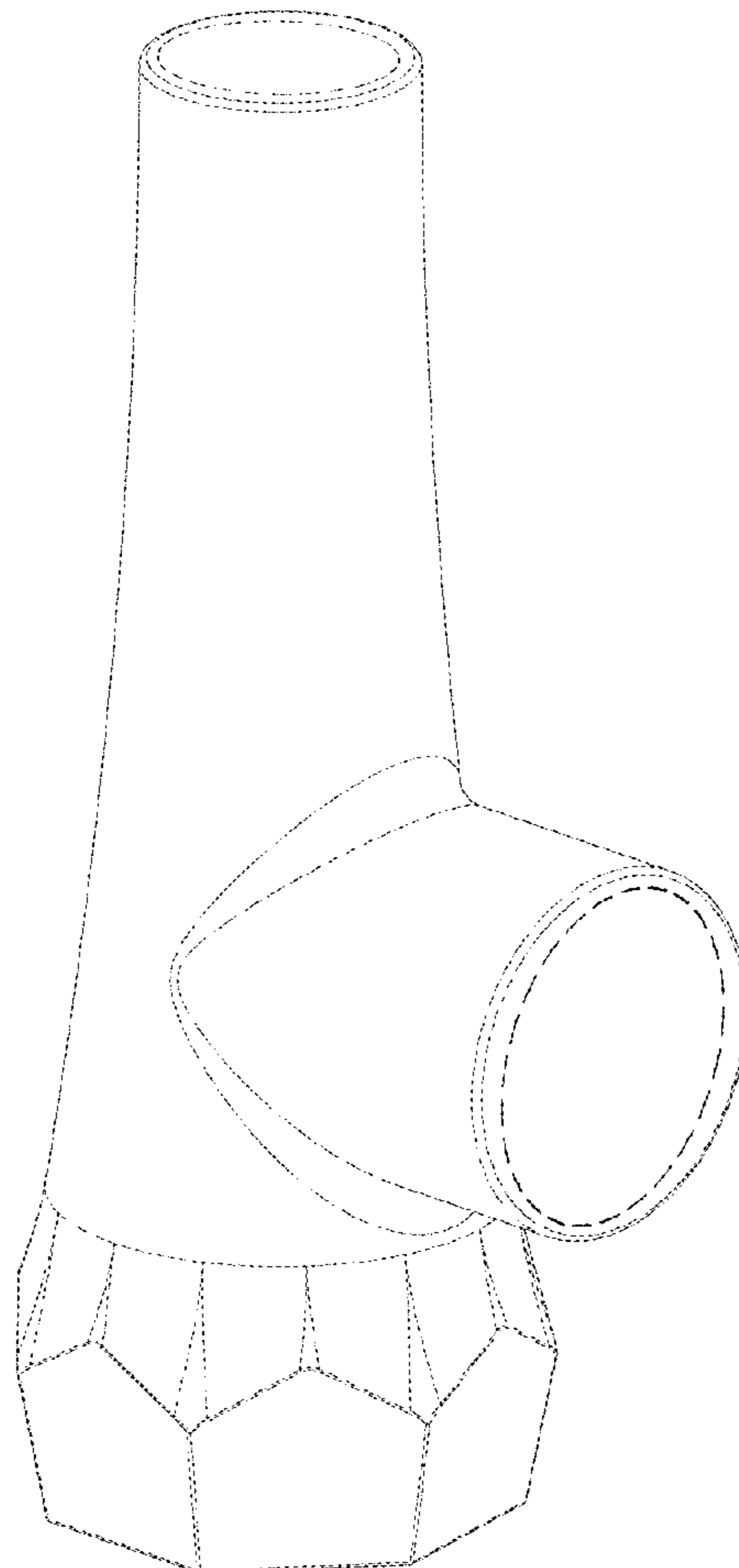
FIG. 1 is a first perspective view of a faucet body showing
my new design;
FIG. 2 is a second perspective view thereof;
FIG. 3 is a front elevational view thereof;
FIG. 4 is a left side view thereof;
FIG. 5 is a rear view thereof;
FIG. 6 is a right side view thereof;
FIG. 7 is a top plan view thereof; and,
FIG. 8 is a bottom view thereof.
Portions of the article shown in phantom lines form no part
of the claimed design.

(56) **References Cited**

U.S. PATENT DOCUMENTS

D163,236 S * 5/1951 Young D23/249
D490,881 S * 6/2004 Lin D23/255

1 Claim, 4 Drawing Sheets



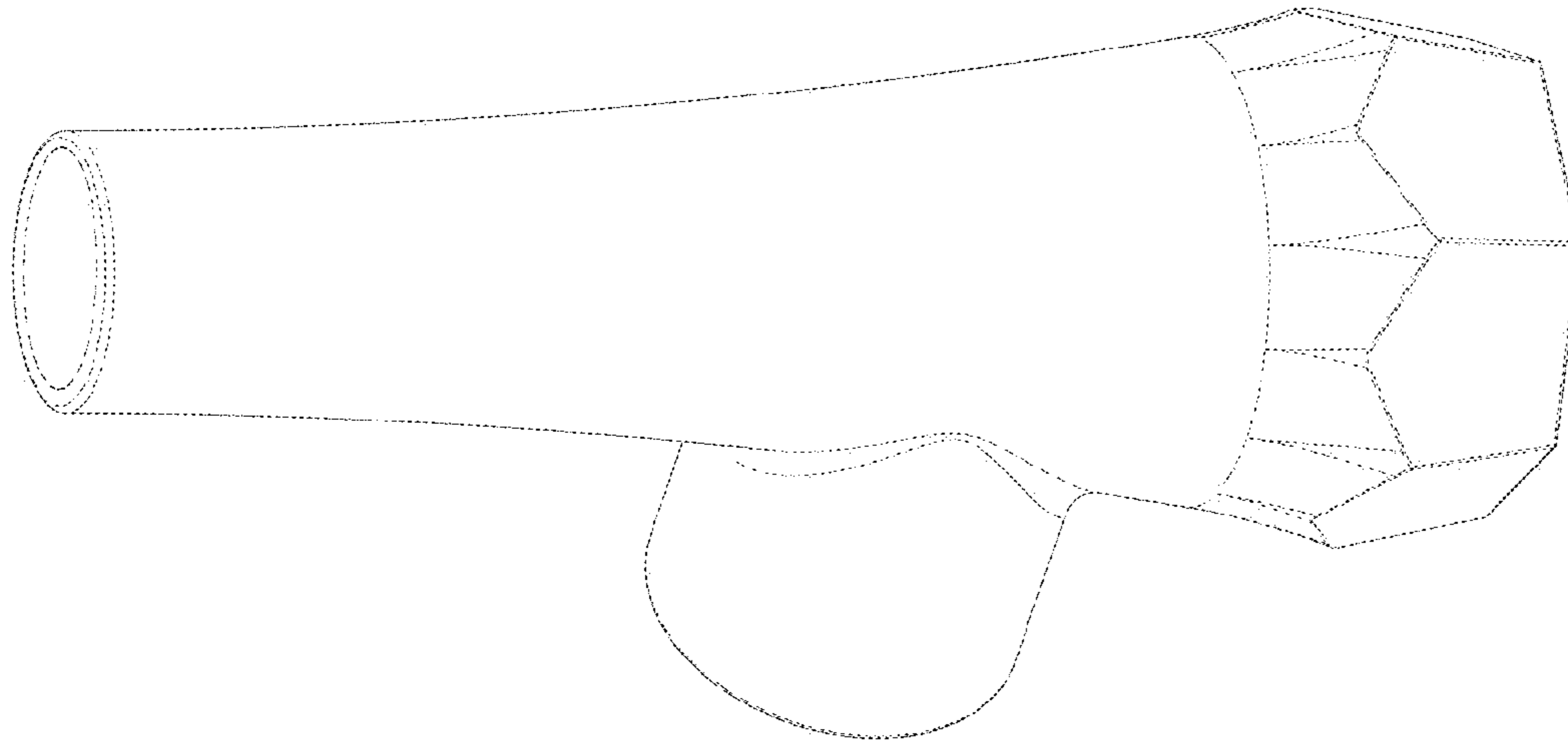


Fig. 2

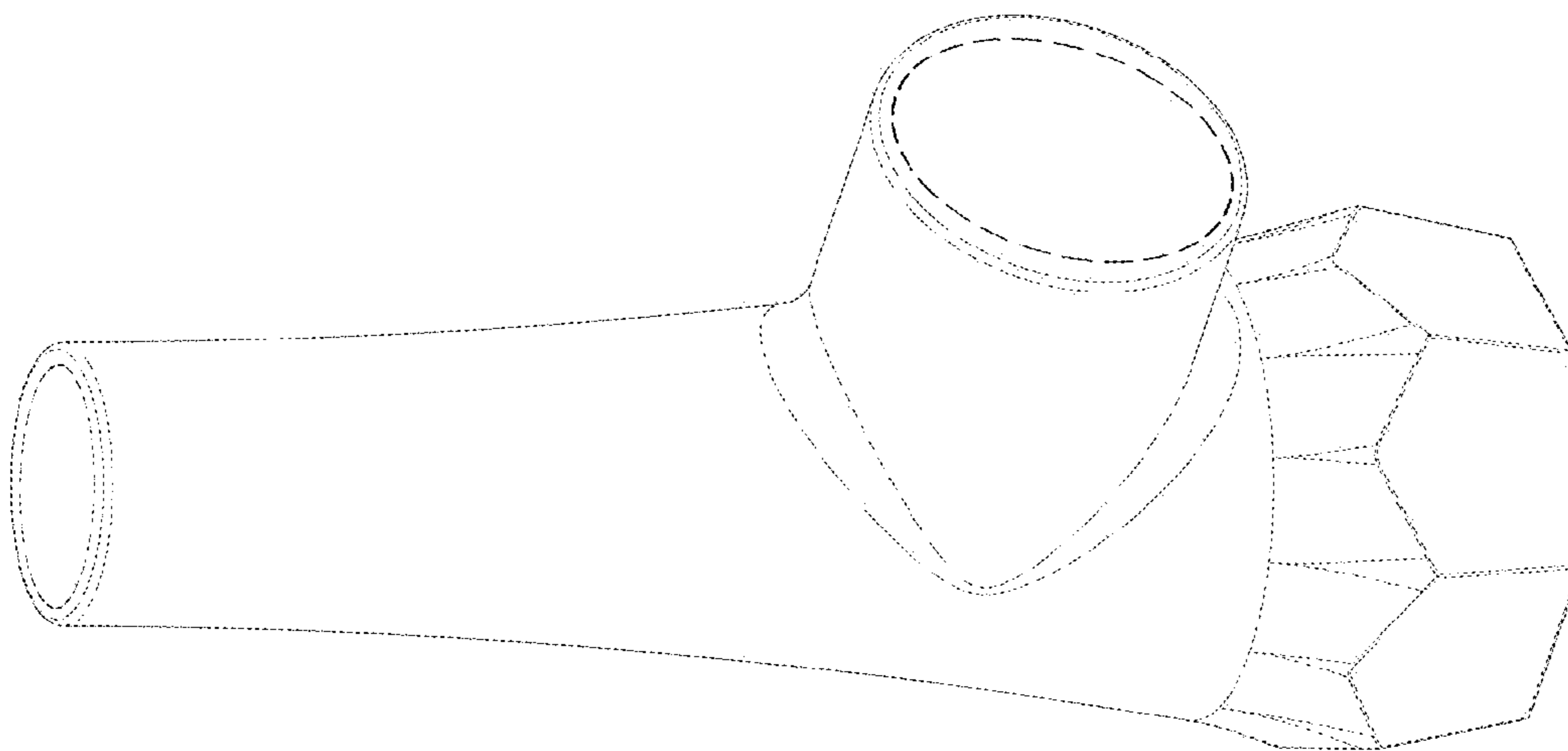


Fig. 1

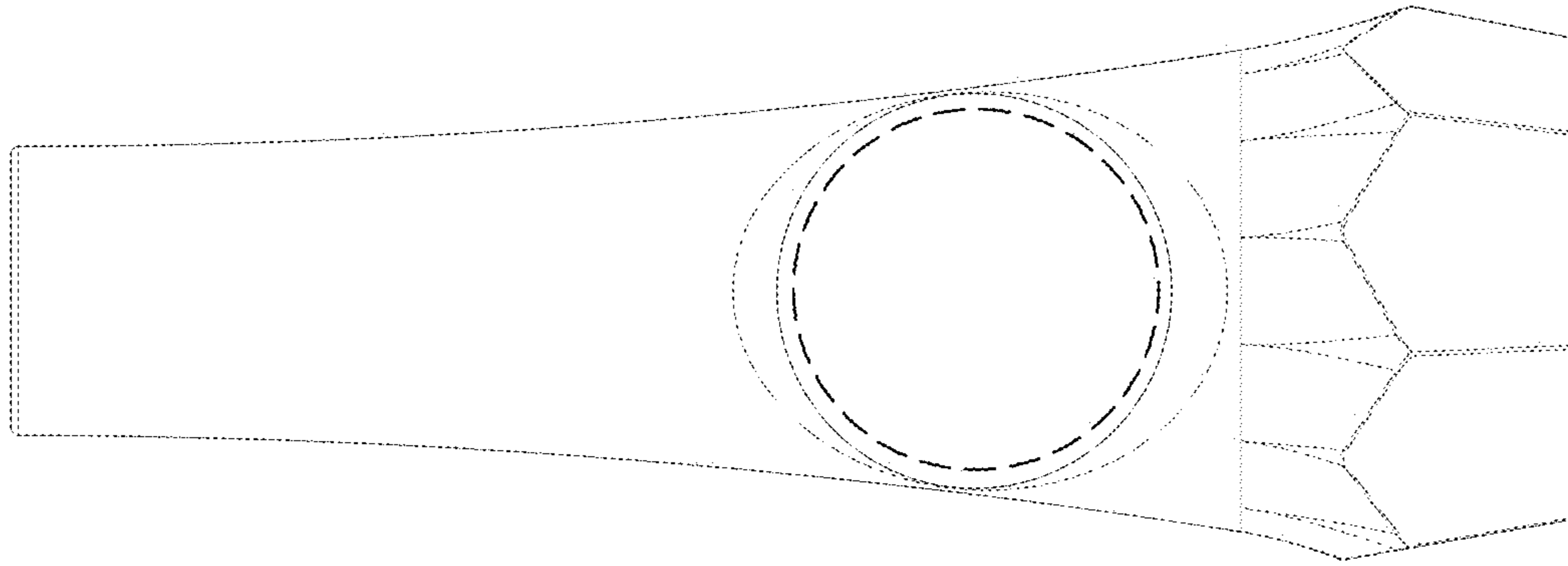


Fig. 4

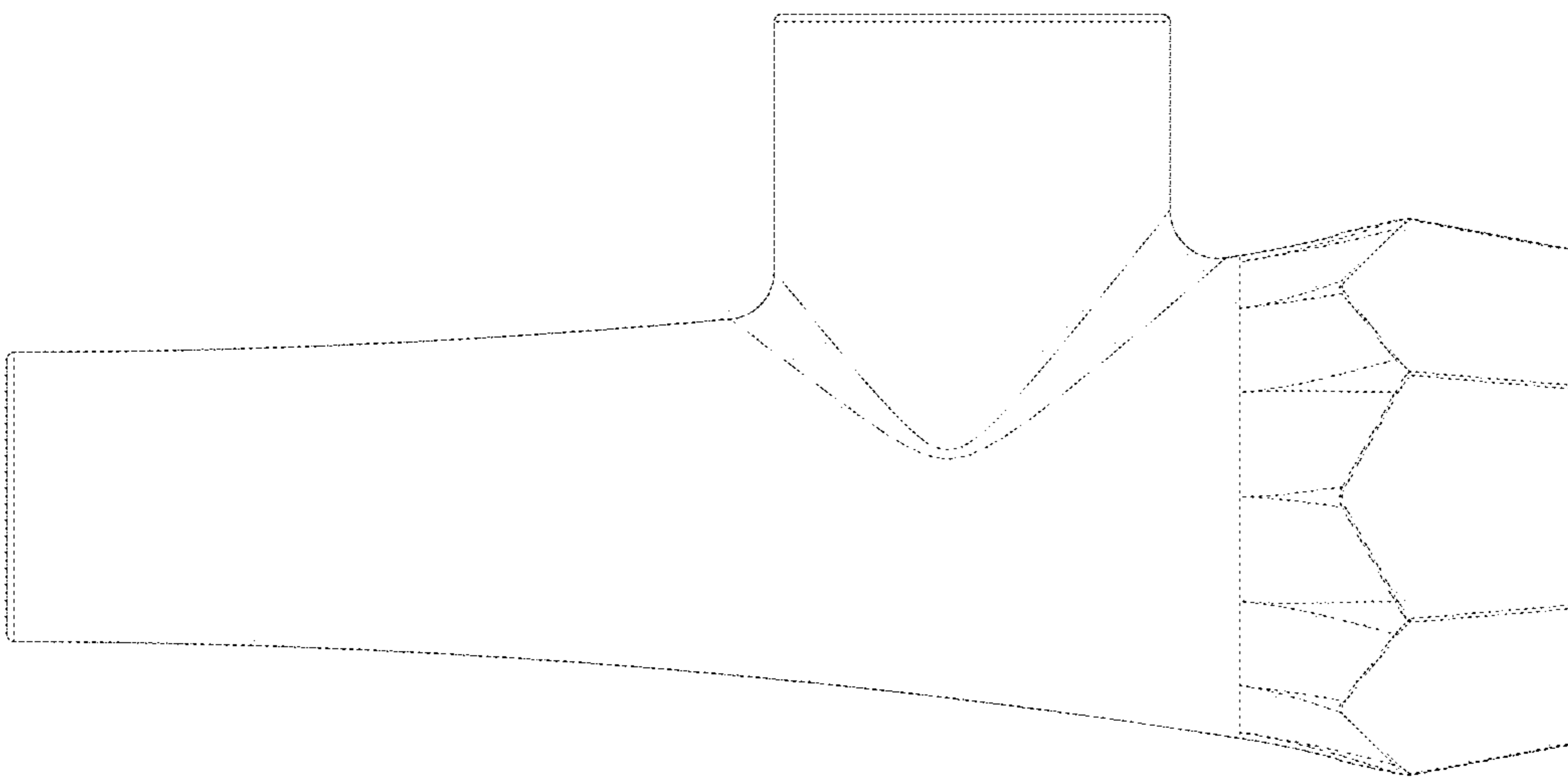


Fig. 3

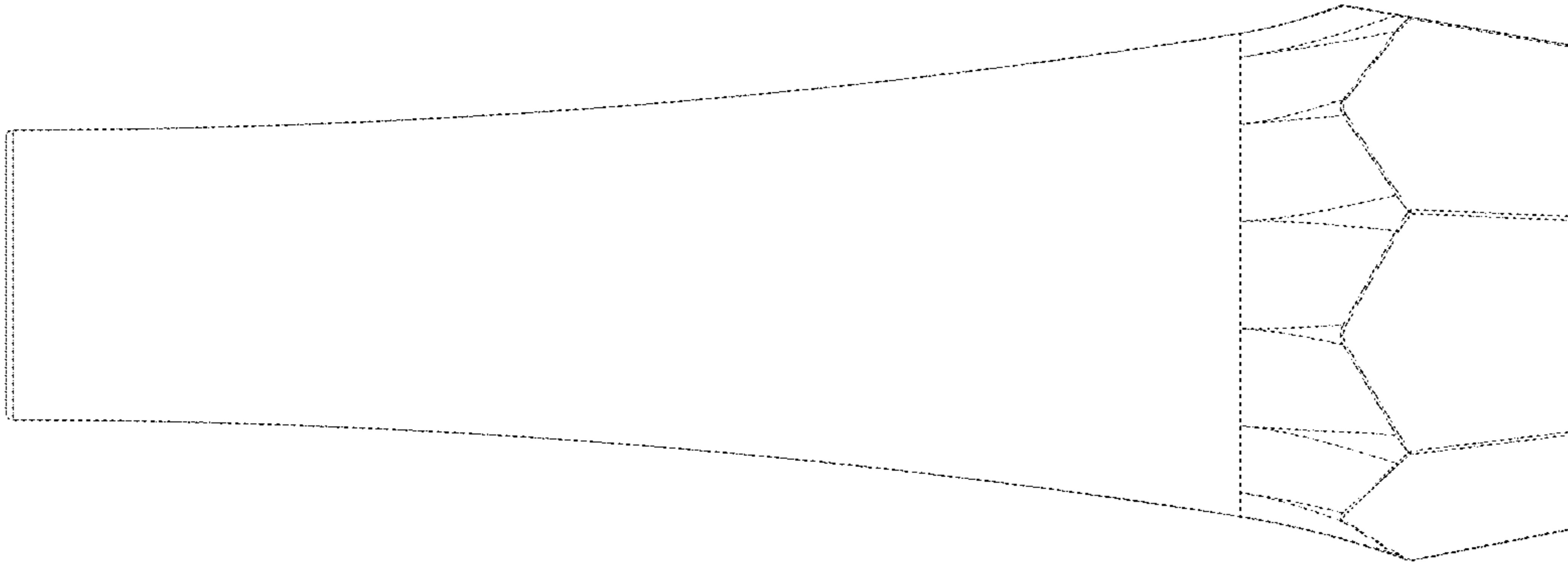


Fig. 6

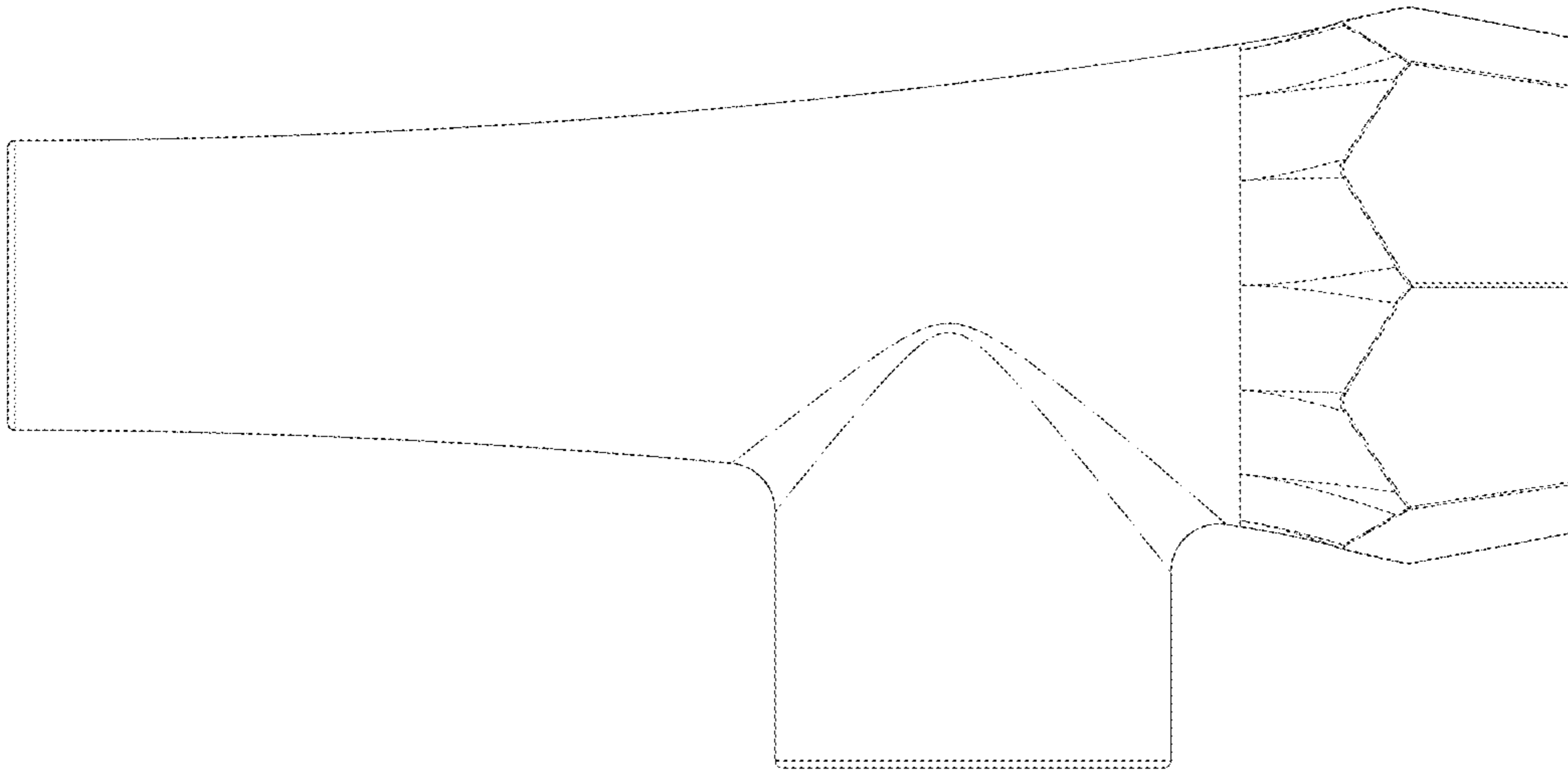


Fig. 5

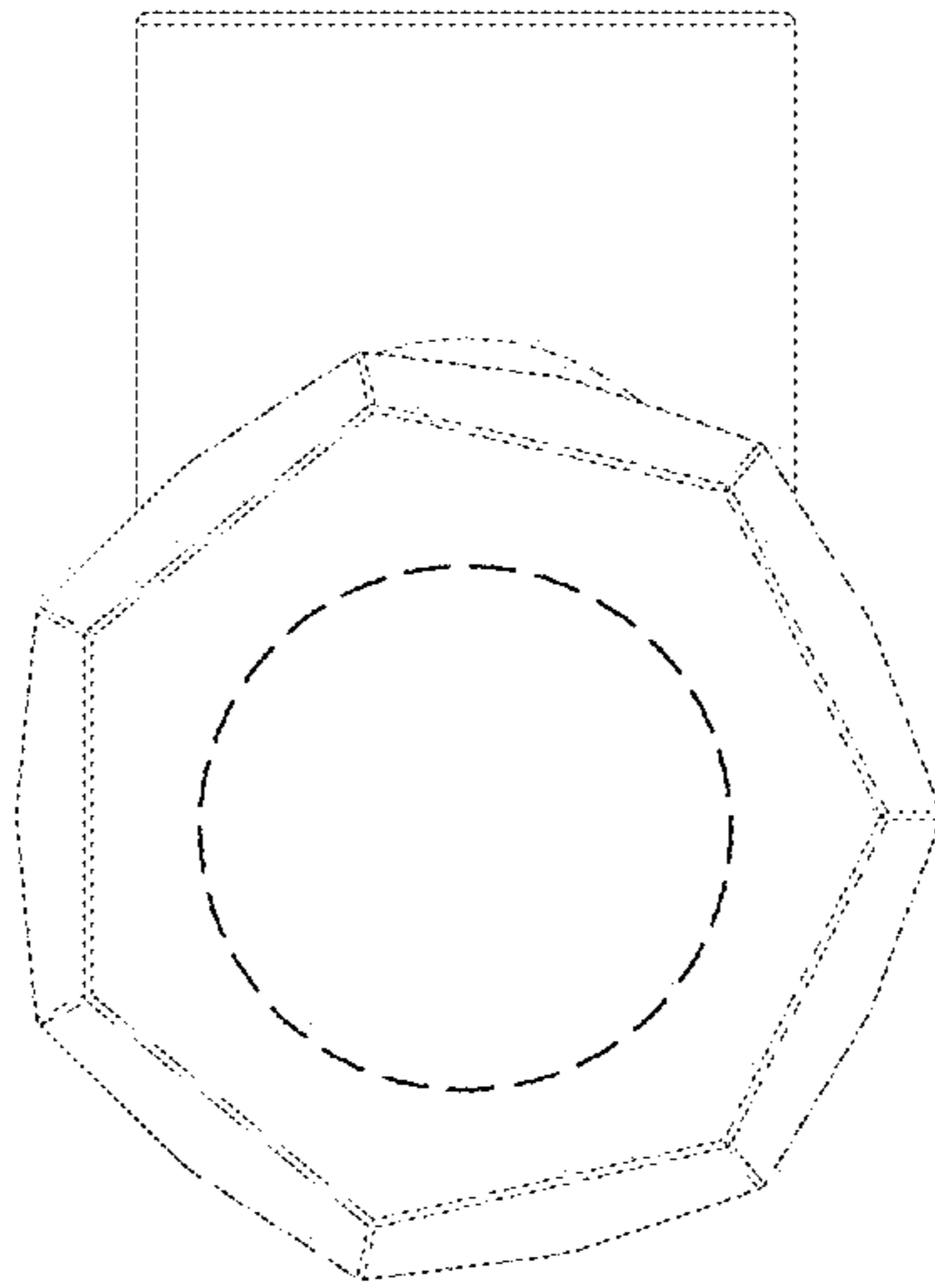


Fig. 8

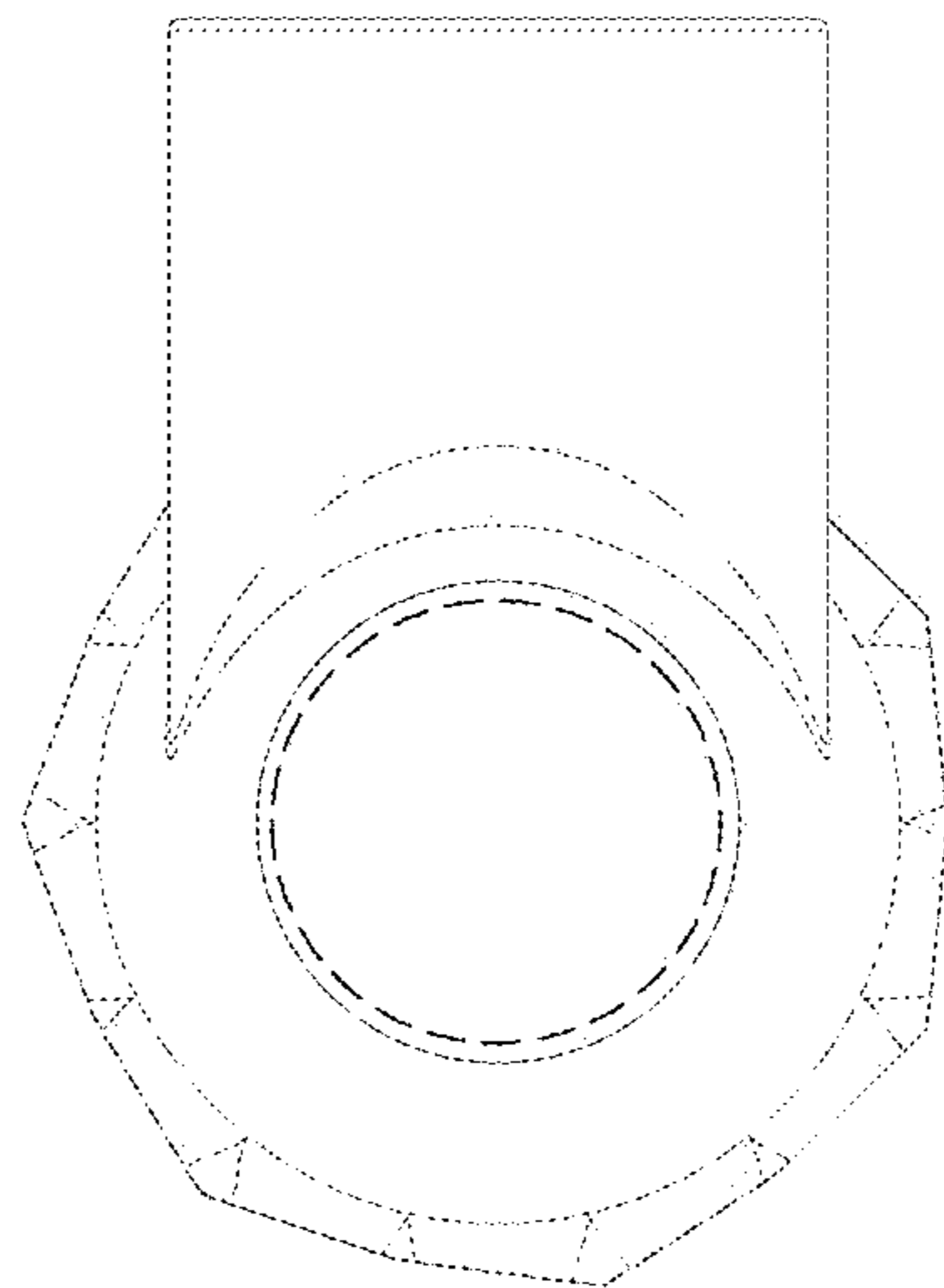


Fig. 7