



US00D875215S

(12) **United States Design Patent**
Bahler

(10) **Patent No.:** **US D875,215 S**

(45) **Date of Patent:** **** Feb. 11, 2020**

(54) **FAUCET**

(71) Applicant: **DELTA FAUCET COMPANY,**
Indianapolis, IN (US)

(72) Inventor: **Jordan Bahler,** Frankfort, IN (US)

(73) Assignee: **DELTA FAUCET COMPANY,**
Indianapolis, IN (US)

(**) Term: **15 Years**

(21) Appl. No.: **29/637,983**

(22) Filed: **Feb. 23, 2018**

(51) **LOC (12) Cl.** **23-01**

(52) **U.S. Cl.**
USPC **D23/238**

(58) **Field of Classification Search**
USPC D23/238, 241–243, 255, 257, 213, 226,
D23/252, 254, 245; D8/307–308
CPC F16K 31/60; F16K 31/602; F16K 31/605;
F16K 31/607; E03C 1/0405; E03C
2001/0415; E03C 1/0412; E03C 1/0409
See application file for complete search history.

(56) **References Cited**

U.S. PATENT DOCUMENTS

6,619,567 B1 * 9/2003 Ouyoung E03C 1/0404
137/625.48
D786,405 S * 5/2017 Schaubach D23/238

D802,091 S * 11/2017 Bahler D23/213
D825,031 S * 8/2018 Haug D23/238
D826,382 S * 8/2018 Spangler D23/254
10,113,739 B2 * 10/2018 Schneider, II E03C 1/0401
D835,236 S * 12/2018 Ziemann D23/238
D839,391 S * 1/2019 Eads D23/252

* cited by examiner

Primary Examiner — Robert A Delehanty

(74) *Attorney, Agent, or Firm* — Edgar A. Zarins; Nirav
D. Parikh

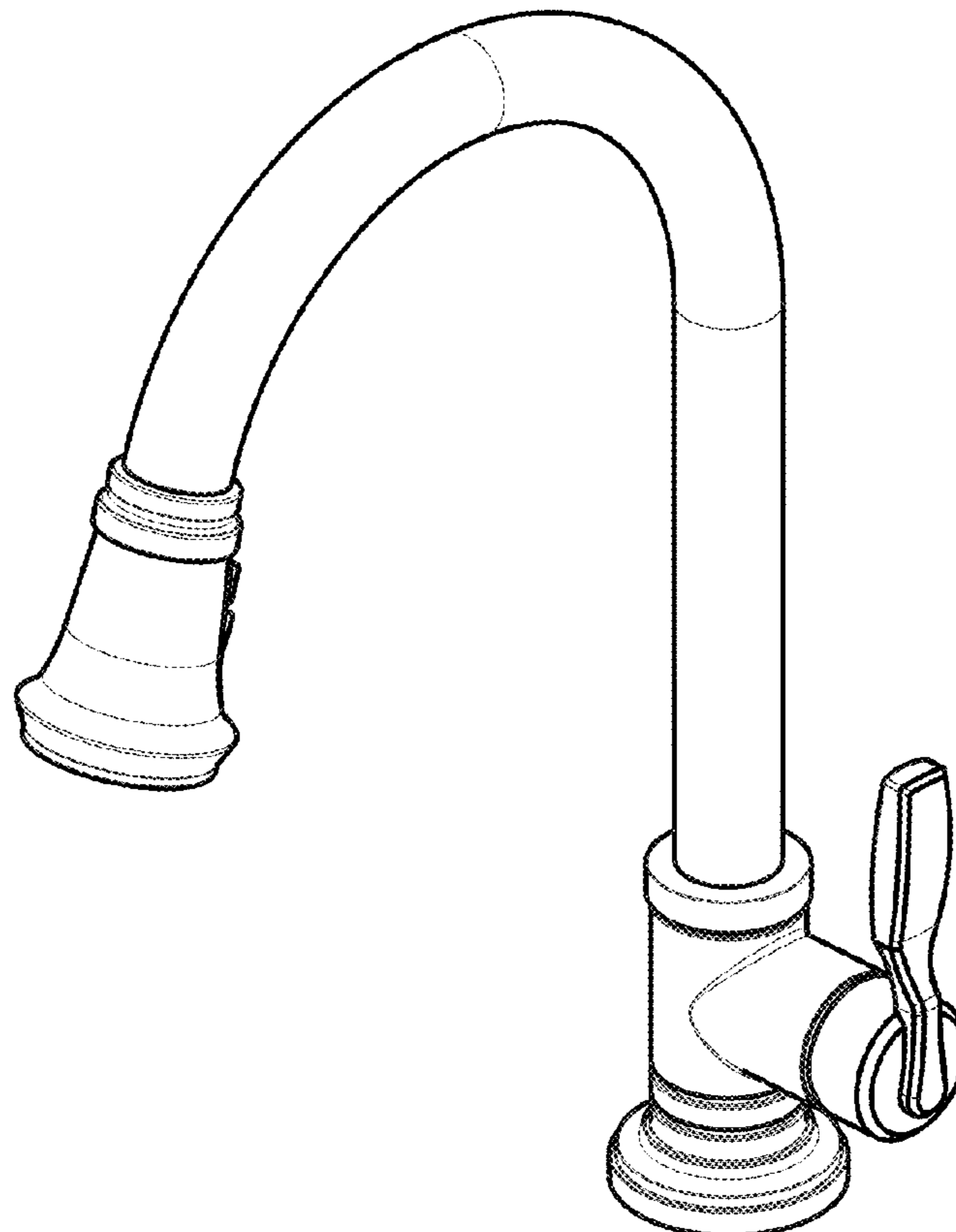
(57) **CLAIM**

The ornamental design for a faucet, as shown and described.

DESCRIPTION

FIG. 1 is a front perspective view of a faucet showing my new design;
FIG. 2 is a rear perspective view thereof;
FIG. 3 is a front elevational view thereof;
FIG. 4 is a right side view thereof;
FIG. 5 is a rear view thereof;
FIG. 6 is a left side view thereof;
FIG. 7 is a top plan view thereof; and,
FIG. 8 is a bottom view thereof.
Portions of the article shown in phantom lines form no part of the claimed design.

1 Claim, 4 Drawing Sheets



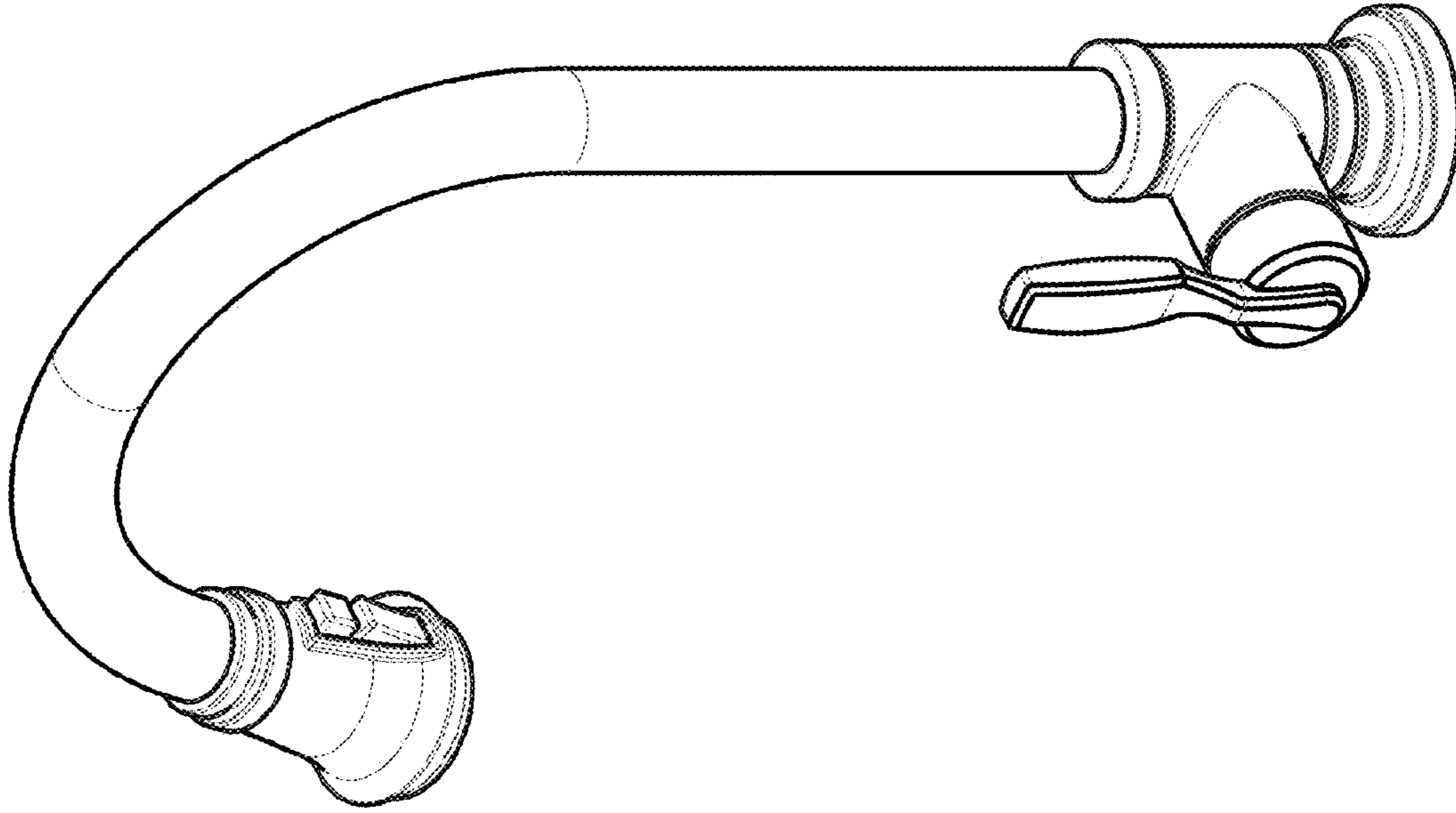


Fig. 2

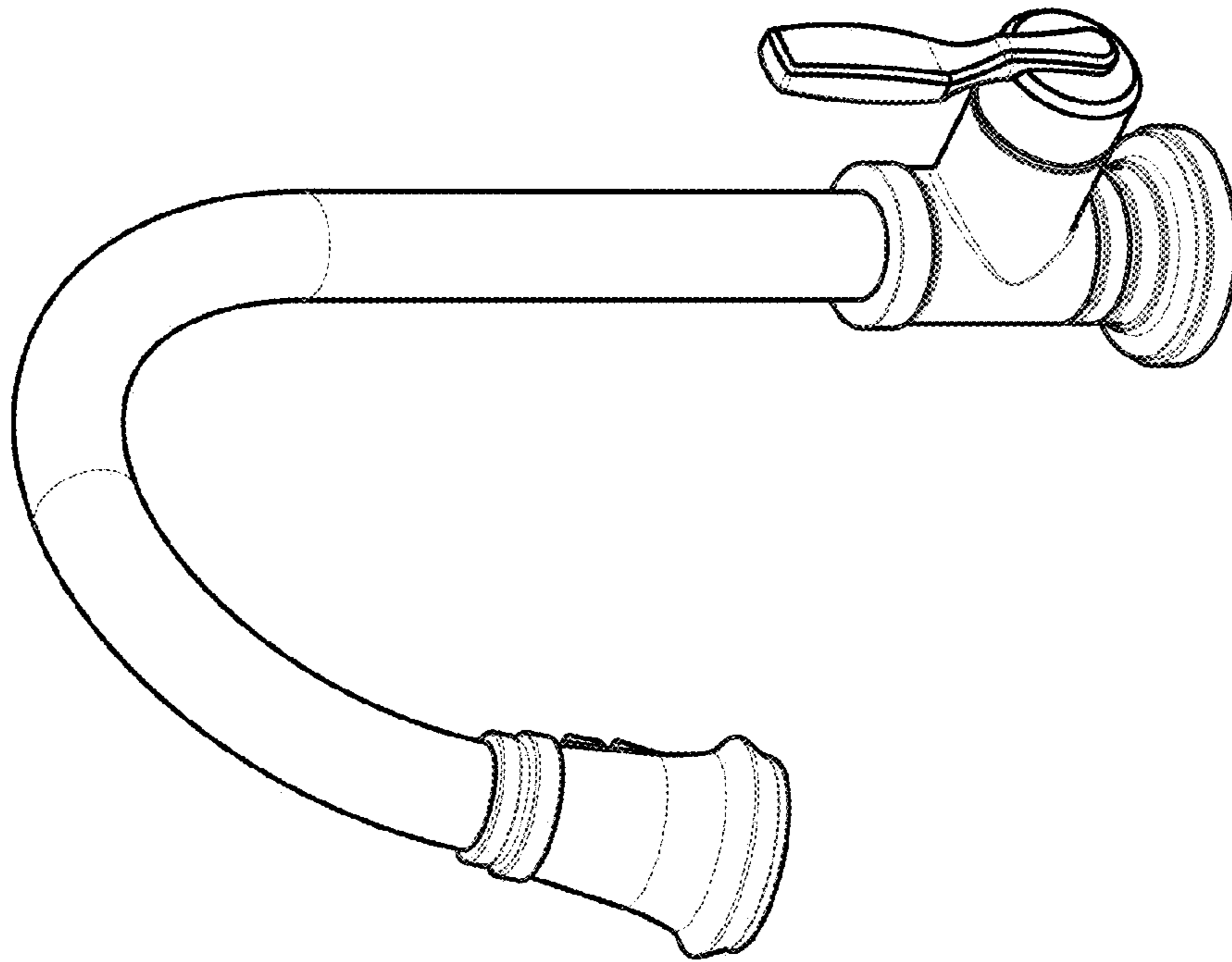


Fig. 1

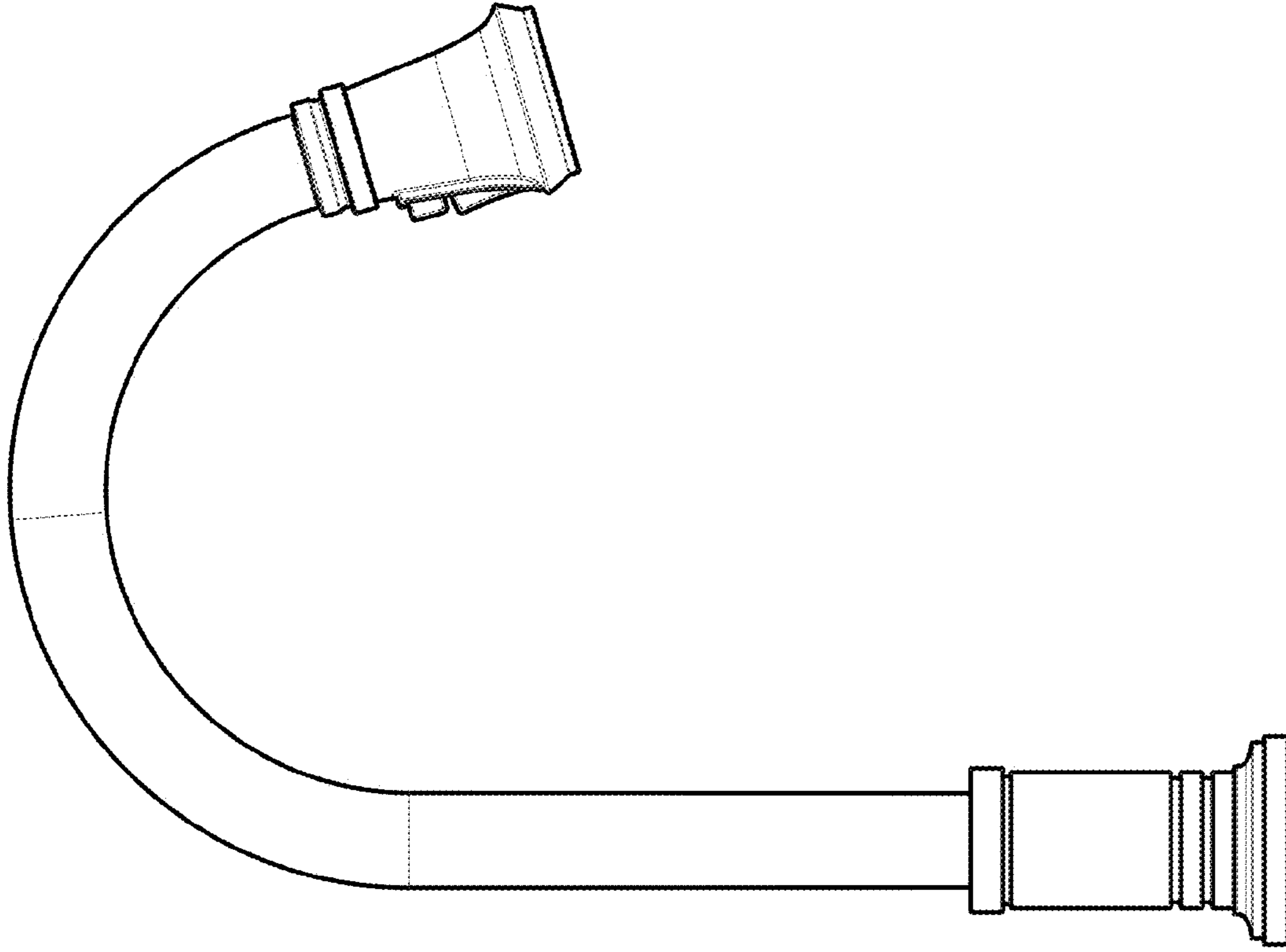


Fig. 4

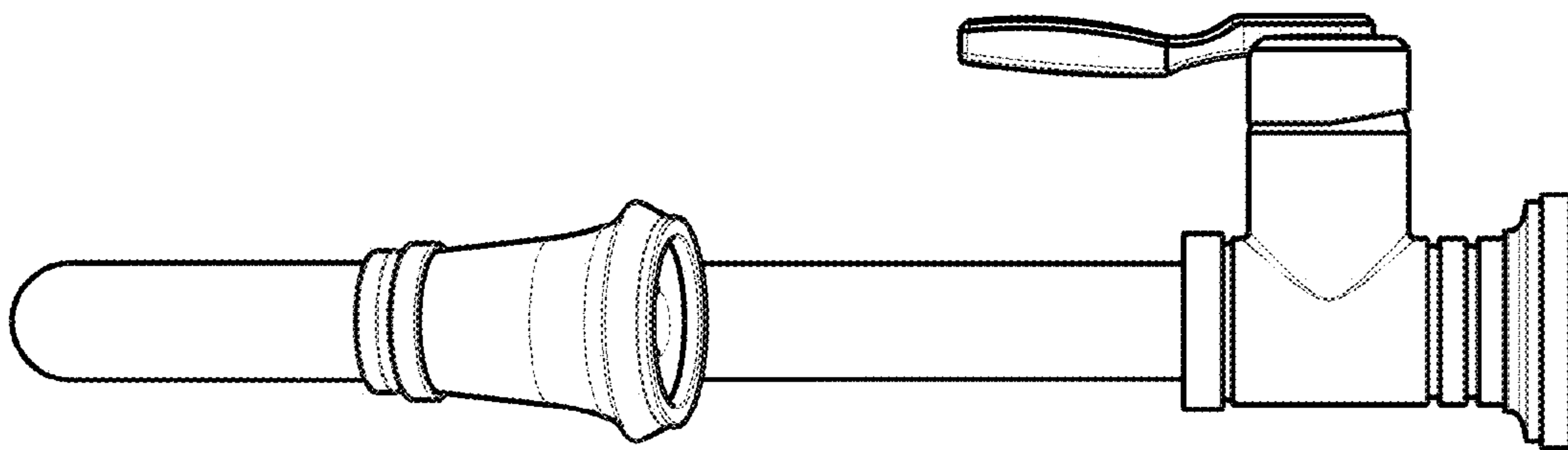


Fig. 3

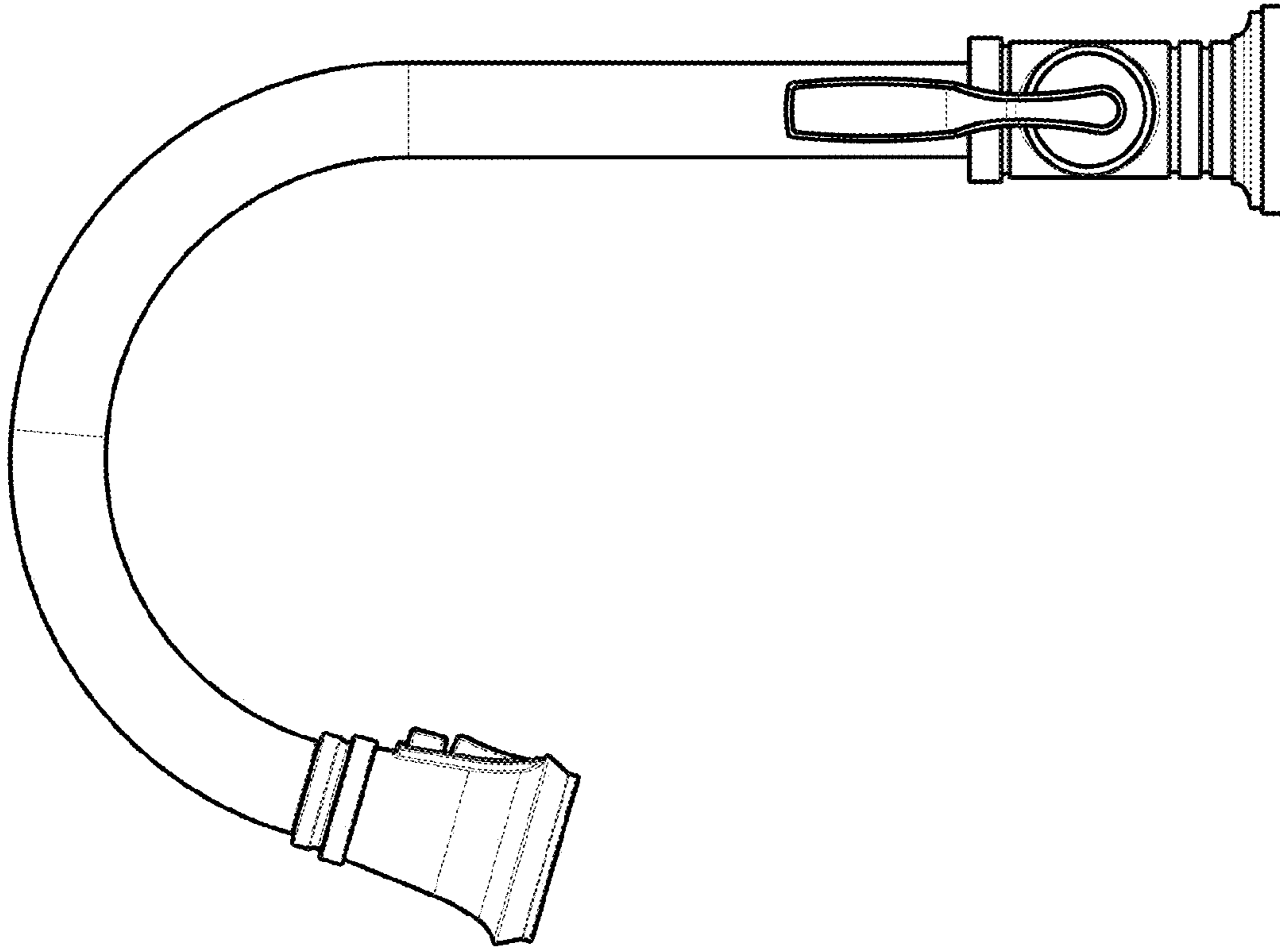


Fig. 6

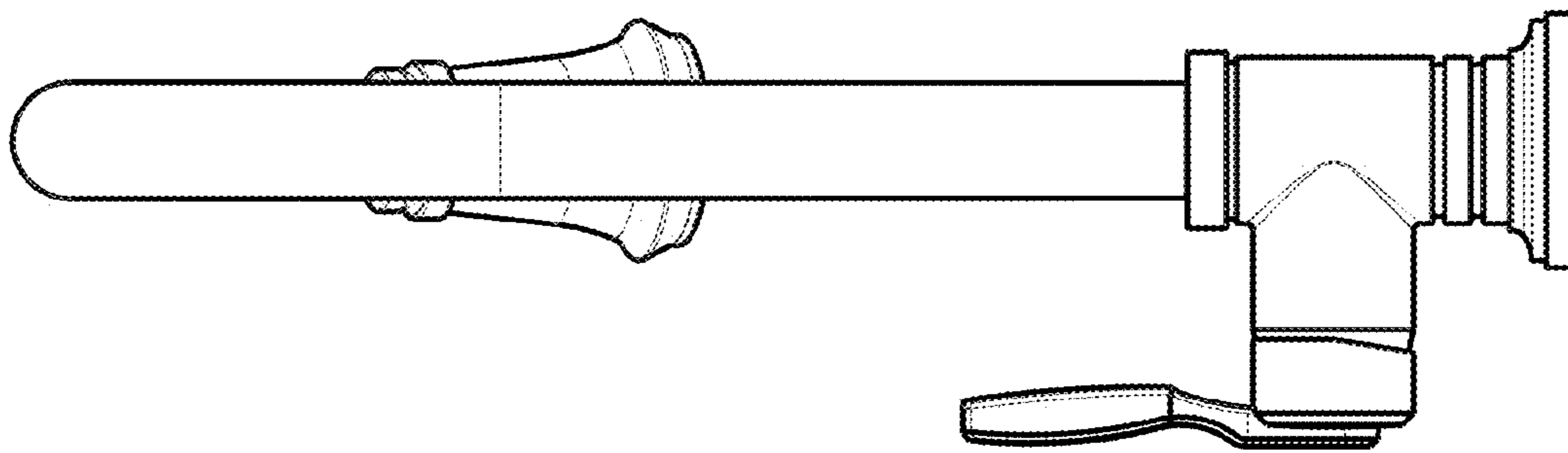


Fig. 5

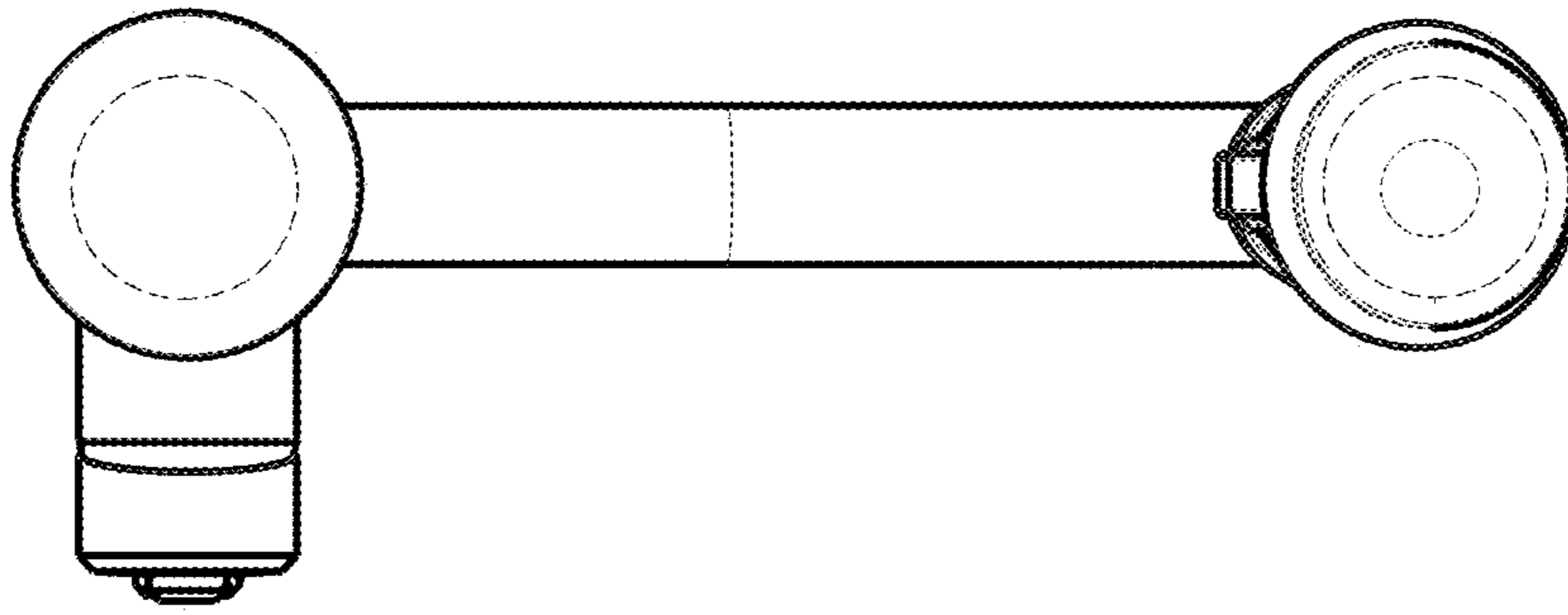


Fig. 8

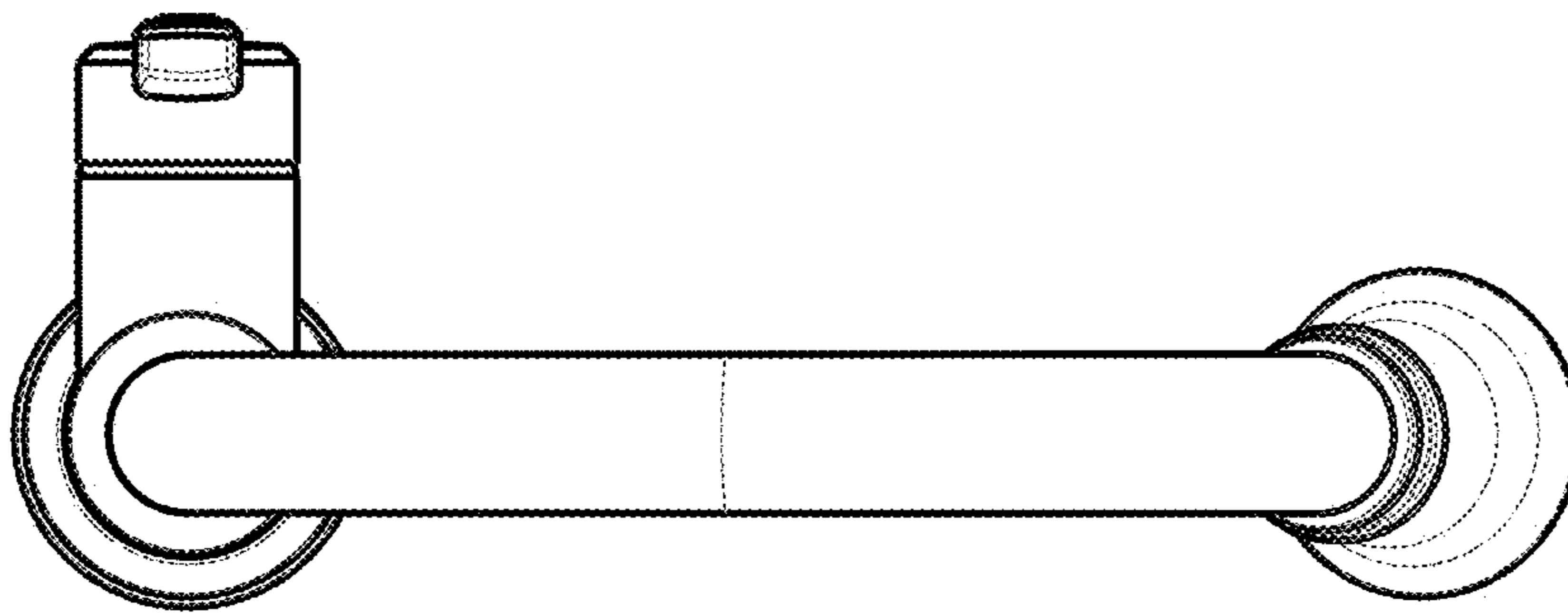


Fig. 7