

US00D875213S

(12) **United States Design Patent**
Svendsen et al.

(10) **Patent No.:** **US D875,213 S**

(45) **Date of Patent:** **** Feb. 11, 2020**

(54) **NOZZLE**

(71) Applicant: **MELNOR, INC.**, Winchester, VA (US)

(72) Inventors: **Sean Wesley Svendsen**, Columbus, OH (US); **Donald Collins Meves**, Columbus, OH (US); **Eric James Fickas**, Plain City, OH (US)

(73) Assignee: **MELNOR, INC.**, Winchester, VA (US)

(**) Term: **15 Years**

(21) Appl. No.: **29/670,352**

(22) Filed: **Nov. 15, 2018**

D558,858 S	1/2008	Chih	
D559,353 S	1/2008	Chih	
D559,354 S	1/2008	Chih	
D569,478 S *	5/2008	Cichy	D23/223
D694,360 S *	11/2013	Gaetano	D23/223
D746,945 S	1/2016	Naslund	
D746,946 S	1/2016	Naslund	
D746,947 S *	1/2016	Naslund	D23/223
D767,091 S	9/2016	Chen	
D767,094 S	9/2016	Chen	
D768,817 S	10/2016	Chen	
D771,773 S	11/2016	Chen	
D771,774 S *	11/2016	Chen	D23/223
D779,035 S	2/2017	Chen	
D779,036 S	2/2017	Chen	
D782,007 S *	3/2017	Naslund	D23/226
D782,008 S *	3/2017	Naslund	D23/226
D792,944 S *	7/2017	Cheng	D23/224

(Continued)

Related U.S. Application Data

(62) Division of application No. 29/598,116, filed on Mar. 23, 2017, now Pat. No. Des. 838,340.

(51) **LOC (12) Cl.** **23-01**

(52) **U.S. Cl.**
USPC **D23/226**

(58) **Field of Classification Search**
USPC D23/226, 223
CPC B05B 1/3013; B05B 1/06
See application file for complete search history.

(56) **References Cited**

U.S. PATENT DOCUMENTS

D370,713 S	6/1996	Guo	
D373,813 S	9/1996	Guo	
5,806,770 A *	9/1998	Wang	B05B 1/1681
			239/391
D447,539 S *	9/2001	Tse	D23/226
D522,088 S *	5/2006	Roman	D23/223
D534,241 S *	12/2006	Wang	D23/226
D548,392 S	8/2007	Lo et al.	
D553,713 S *	10/2007	Chih	D23/226
D557,767 S	12/2007	Chih	

Primary Examiner — Kevin K Rudzinski

(74) *Attorney, Agent, or Firm* — Westerman, Hattori, Daniels & Adrian, LLP; Stephen B. Parker

(57) **CLAIM**

The ornamental design for a nozzle, as shown and described.

DESCRIPTION

FIG. 1 is a rear perspective view of a nozzle, showing our new design;

FIG. 2 is a front elevational view thereof;

FIG. 3 is a rear elevational view thereof;

FIG. 4 is a right side elevational view thereof;

FIG. 5 is a left side elevational view thereof;

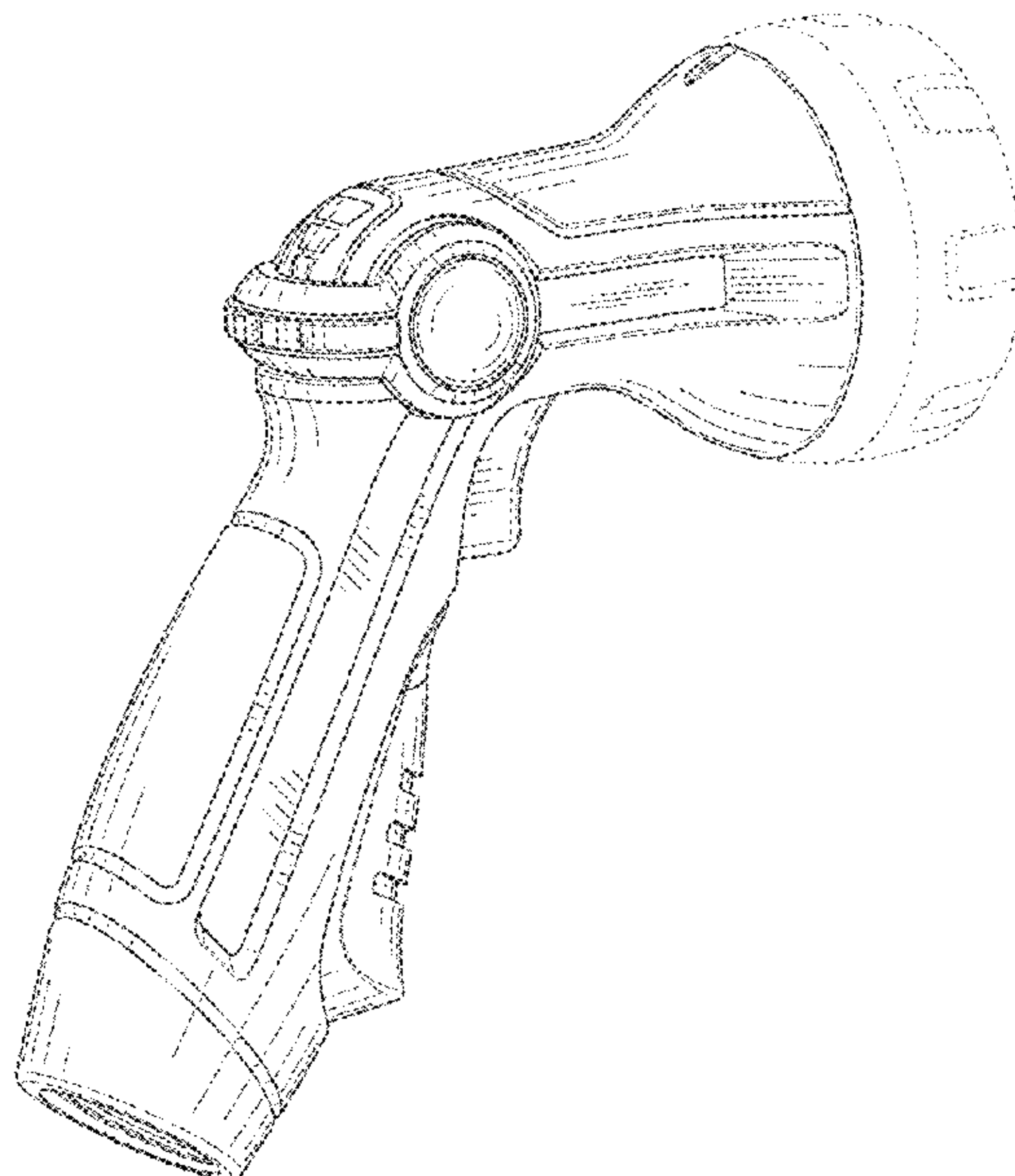
FIG. 6 is a top plan view thereof;

FIG. 7 is a bottom plan view thereof; and,

FIG. 8 is a front perspective view thereof.

The broken line showing of portions of the nozzle is for the purpose of illustrating environmental structure and forms no part of the claimed design.

1 Claim, 6 Drawing Sheets



(56)

References Cited

U.S. PATENT DOCUMENTS

D792,947 S *	7/2017	Hung	D23/226
D824,487 S *	7/2018	Montoya	D23/223
D824,491 S *	7/2018	Montoya	D23/223
D838,340 S *	1/2019	Svensen	D23/223
D838,809 S *	1/2019	Svensen	D23/223
D849,889 S *	5/2019	Pease	D23/226
D851,209 S *	6/2019	Cheng	D23/223

* cited by examiner

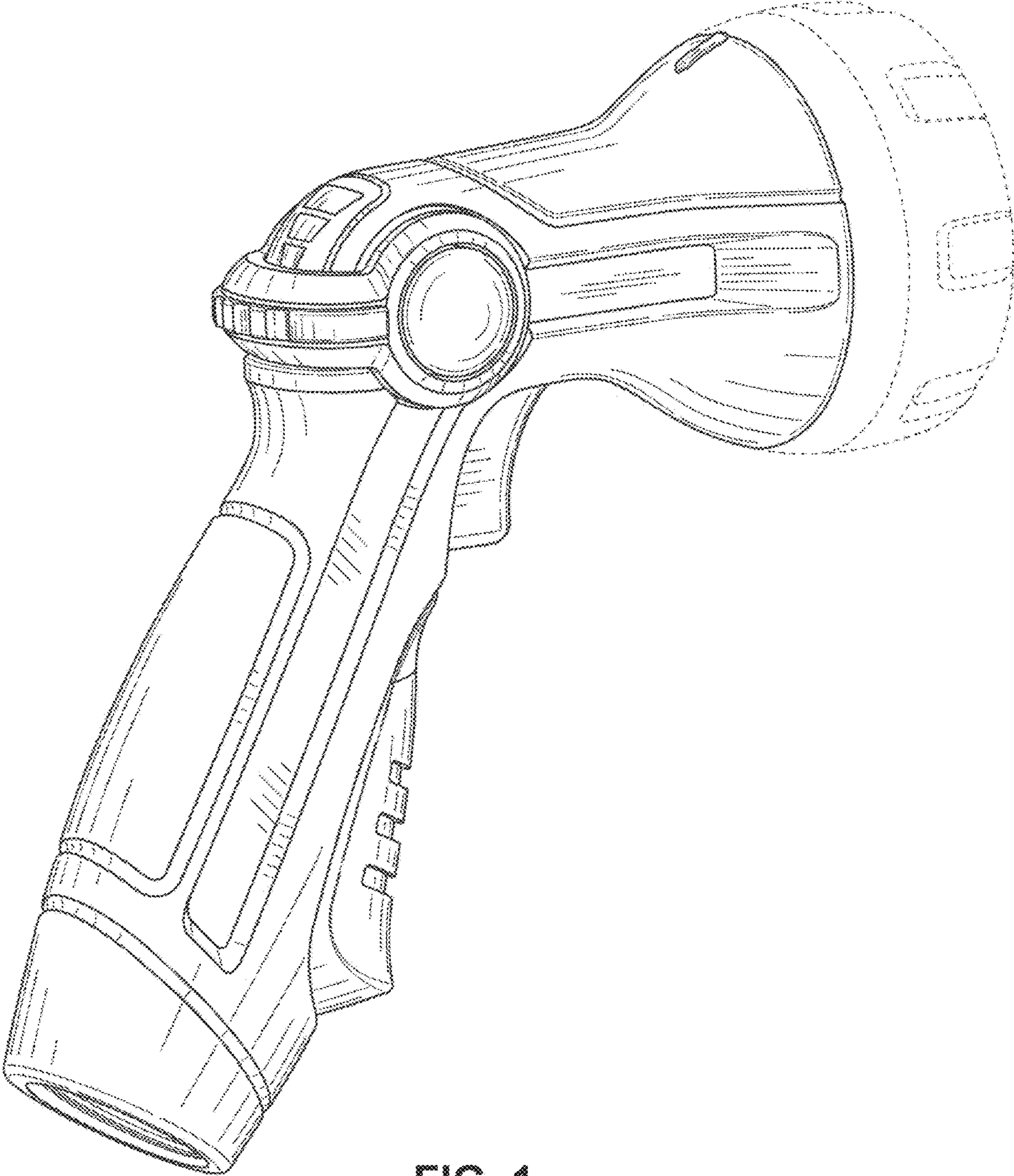


FIG. 1

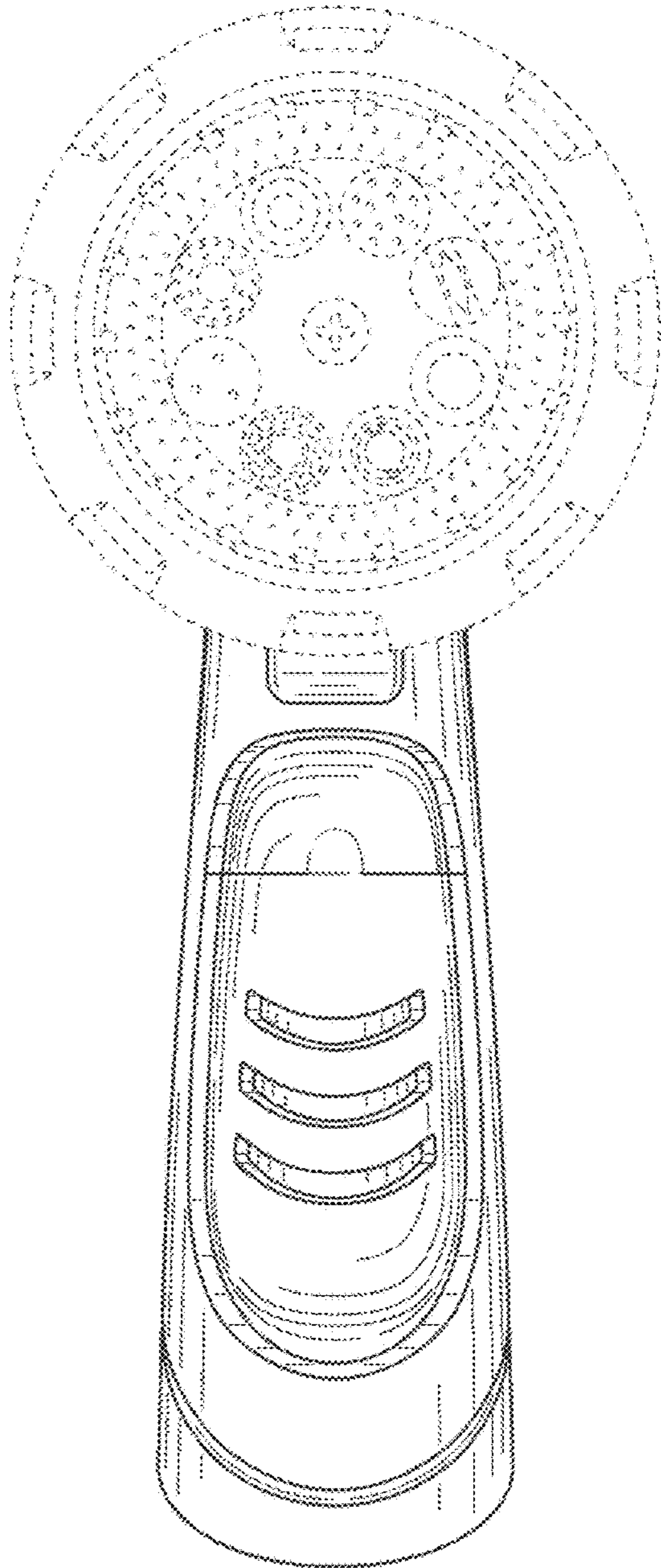


FIG. 2

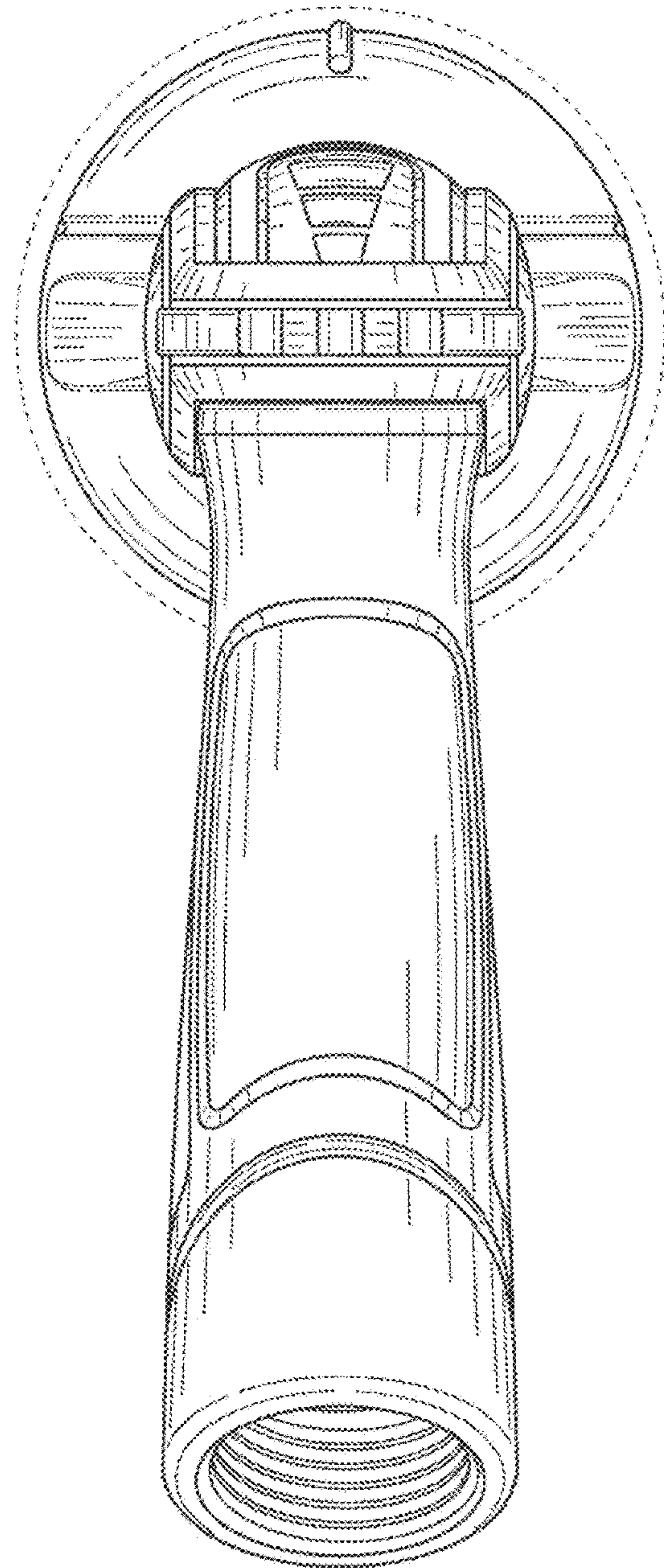


FIG. 3

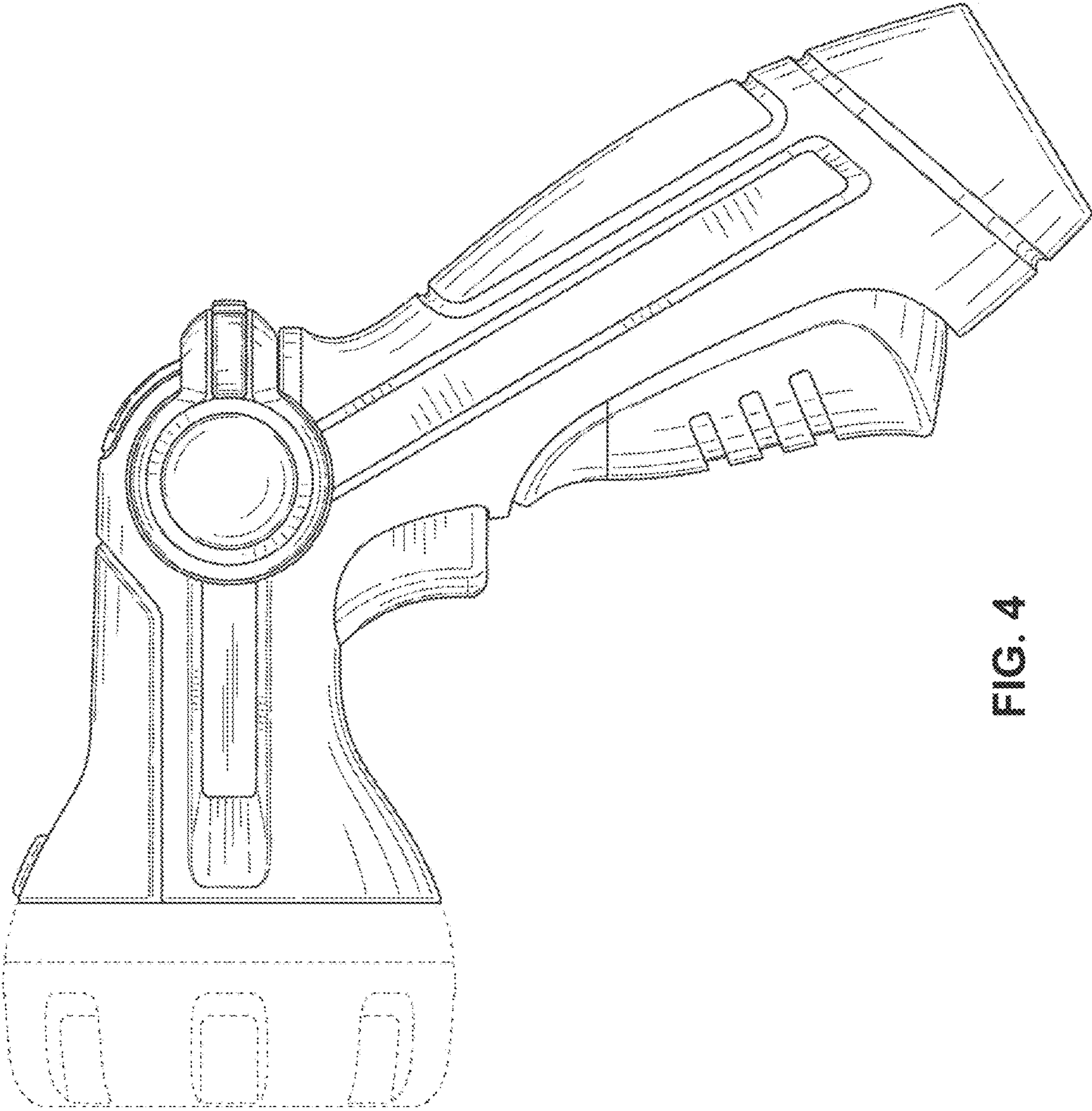


FIG. 4

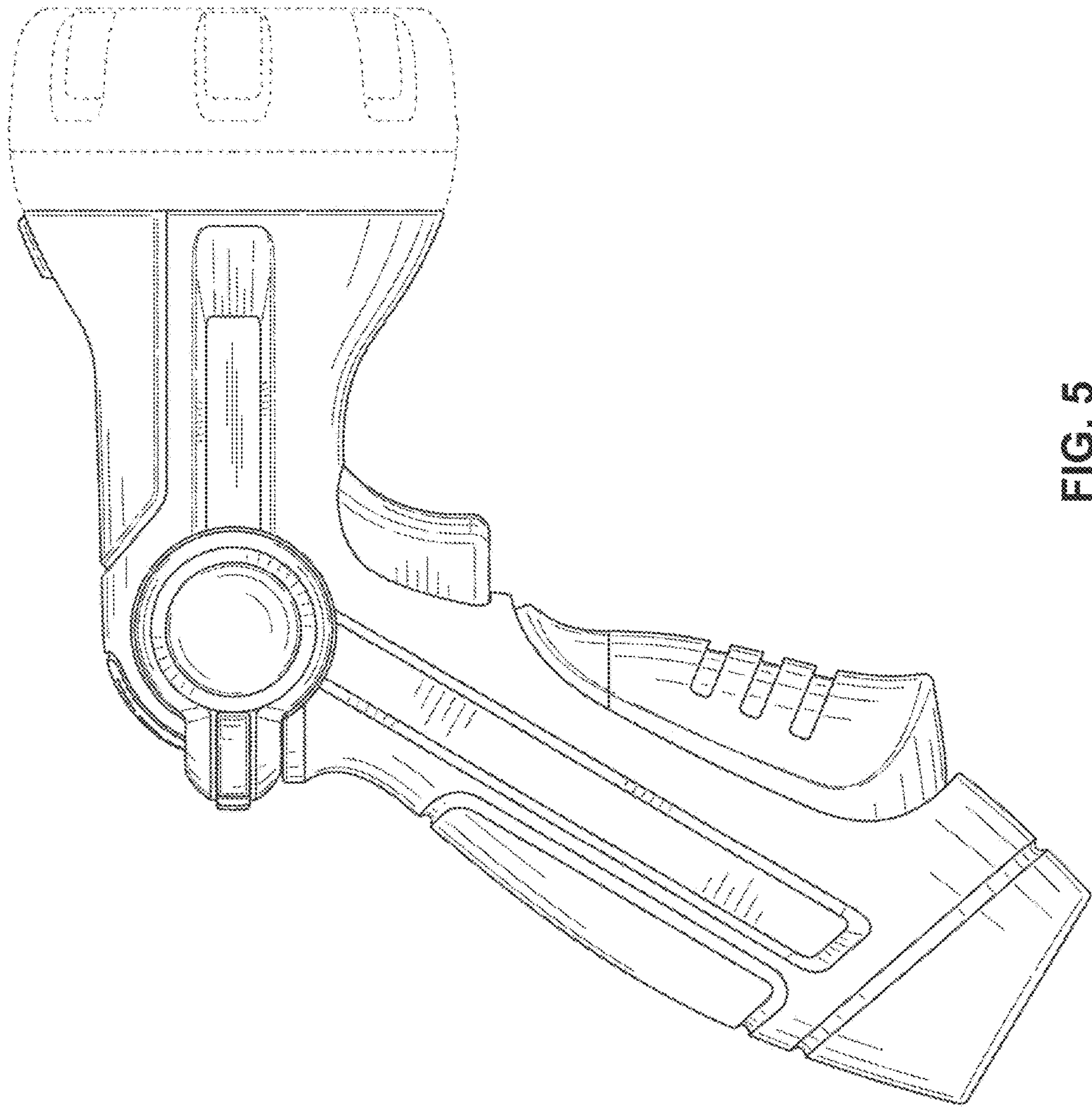


FIG. 5

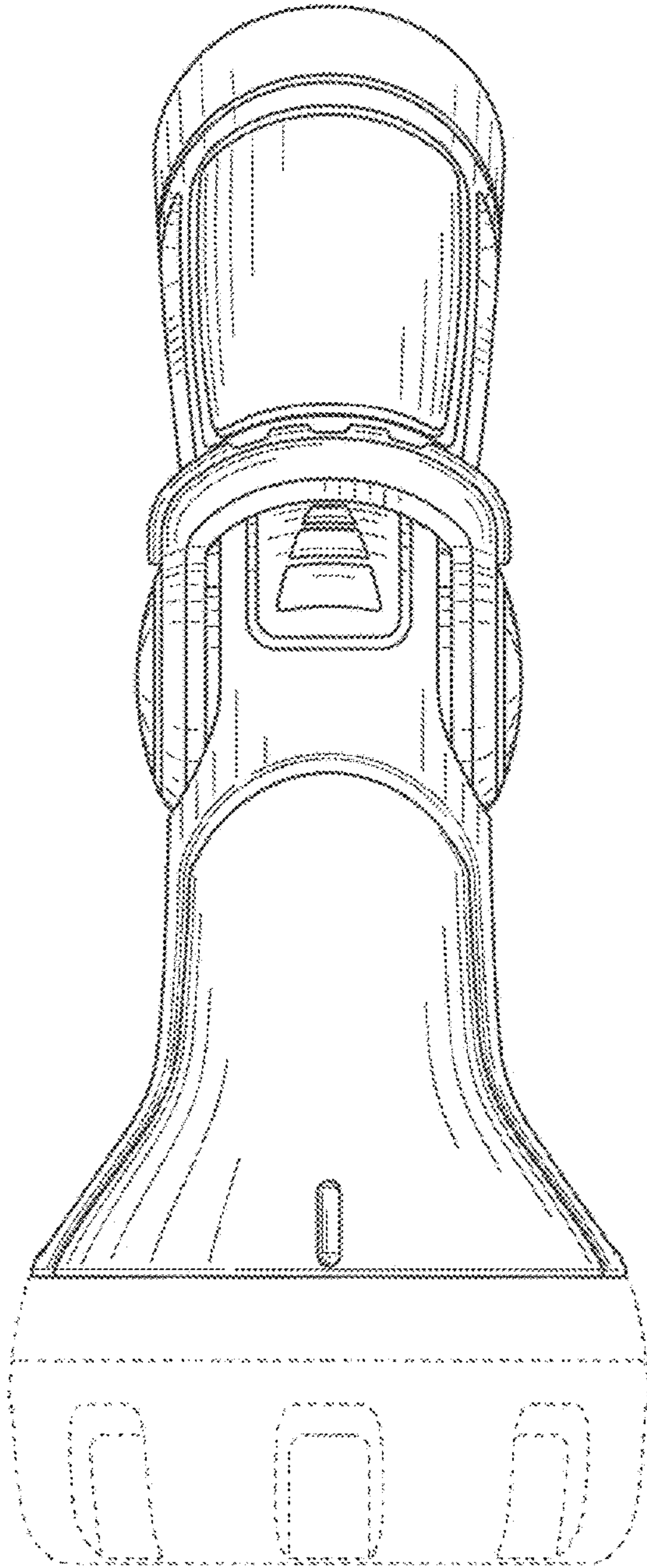


FIG. 6

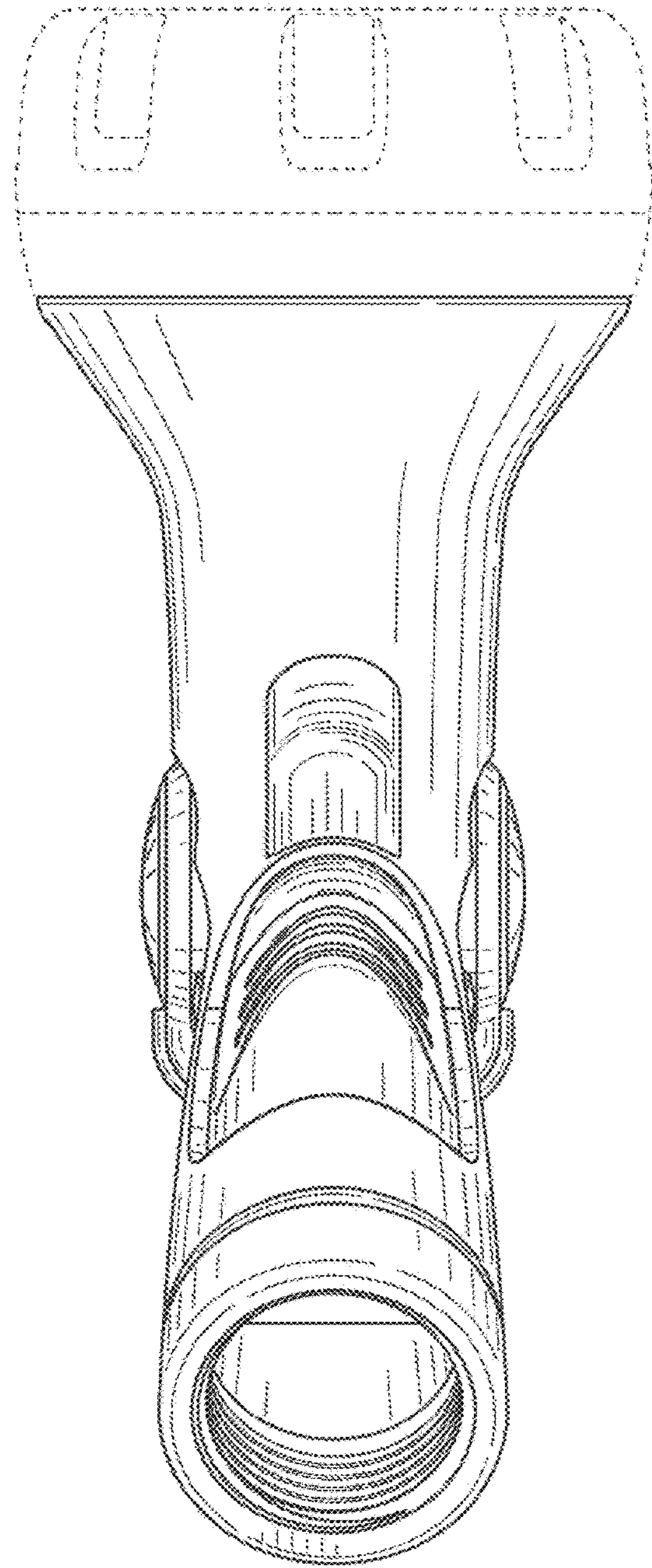


FIG. 7

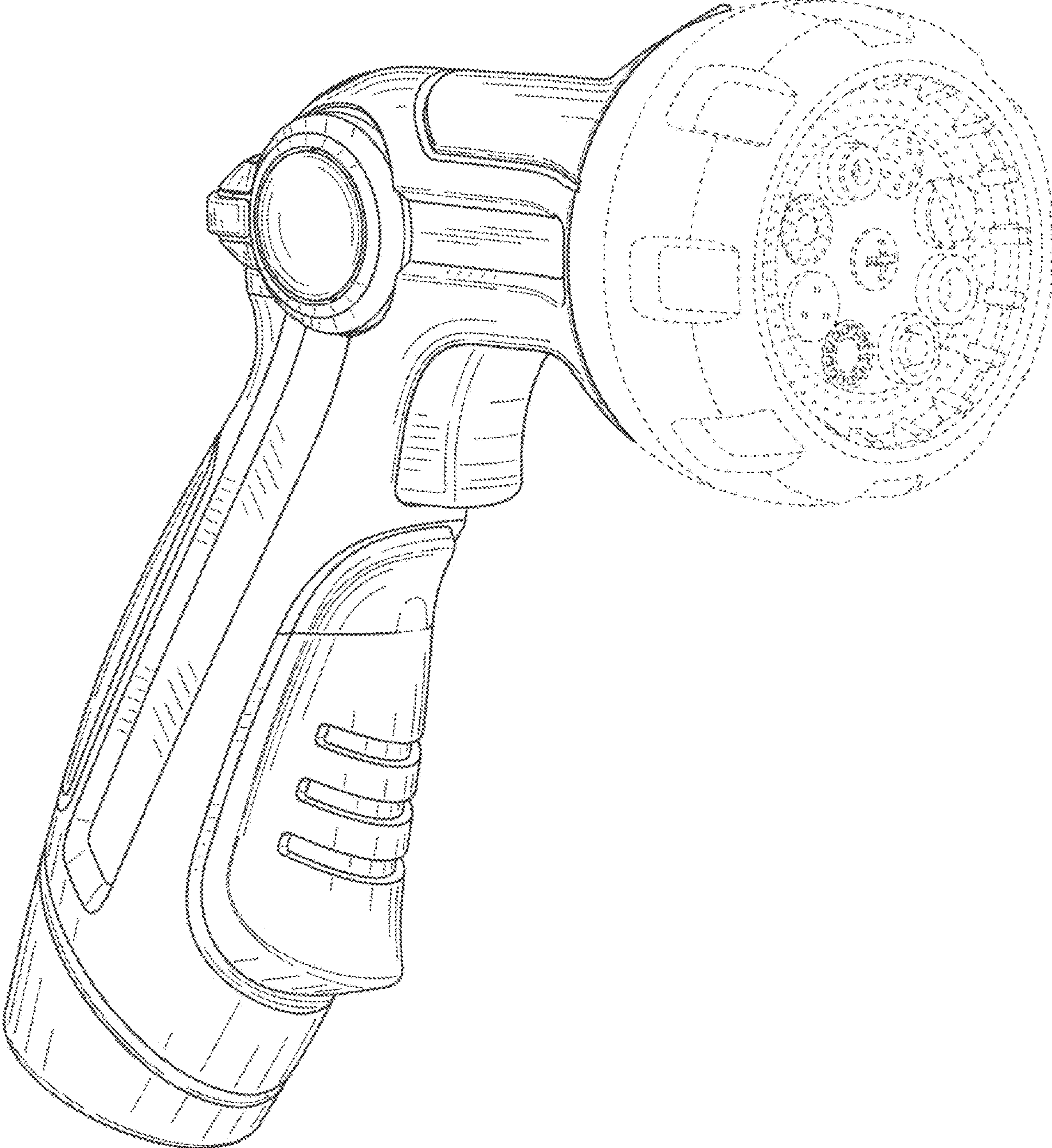


FIG. 8