



US00D875212S

(12) **United States Design Patent**  
**Svendsen et al.**

(10) **Patent No.:** **US D875,212 S**

(45) **Date of Patent:** **\*\* Feb. 11, 2020**

- (54) **NOZZLE**
- (71) Applicant: **MELNOR, INC.**, Winchester, VA (US)
- (72) Inventors: **Sean Wesley Svendsen**, Columbus, OH (US); **Donald Collins Meves**, Columbus, OH (US); **Eric James Fickas**, Plain City, OH (US)
- (73) Assignee: **MELNOR, INC.**, Winchester, VA (US)
- (\*\*) Term: **15 Years**
- (21) Appl. No.: **29/670,349**
- (22) Filed: **Nov. 15, 2018**

- D585,109 S \* 1/2009 Cheng ..... D23/223
- D614,729 S \* 4/2010 Cheng ..... D23/223
- D650,045 S \* 12/2011 Nies ..... D23/223
- D681,777 S \* 5/2013 Nies ..... D23/226
- D704,801 S \* 5/2014 Chen ..... D23/223
- D736,350 S \* 8/2015 Cheng ..... D23/226
- D746,945 S 1/2016 Naslund
- D746,946 S 1/2016 Naslund
- D746,947 S \* 1/2016 Naslund ..... D23/223
- D748,758 S \* 2/2016 Duong ..... D23/223
- D767,091 S 9/2016 Chen
- D767,094 S 9/2016 Chen
- D768,817 S 10/2016 Chen
- D771,773 S 11/2016 Chen
- D771,775 S \* 11/2016 Chen ..... D23/223
- D779,035 S 2/2017 Chen
- D779,036 S 2/2017 Chen
- D782,005 S \* 3/2017 Naslund ..... D23/223

(Continued)

**Related U.S. Application Data**

- (62) Division of application No. 29/598,136, filed on Mar. 23, 2017, now Pat. No. Des. 838,809.
- (51) **LOC (12) Cl.** ..... **23-01**
- (52) **U.S. Cl.**  
USPC ..... **D23/226**
- (58) **Field of Classification Search**  
USPC ..... D23/226, 223  
CPC ..... B05B 1/3013; B05B 1/06  
See application file for complete search history.

*Primary Examiner* — Kevin K Rudzinski

(74) *Attorney, Agent, or Firm* — Westerman, Hattori, Daniels & Adrian, LLP; Stephen B. Parker

(57) **CLAIM**

The ornamental design for a nozzle, as shown and described.

**DESCRIPTION**

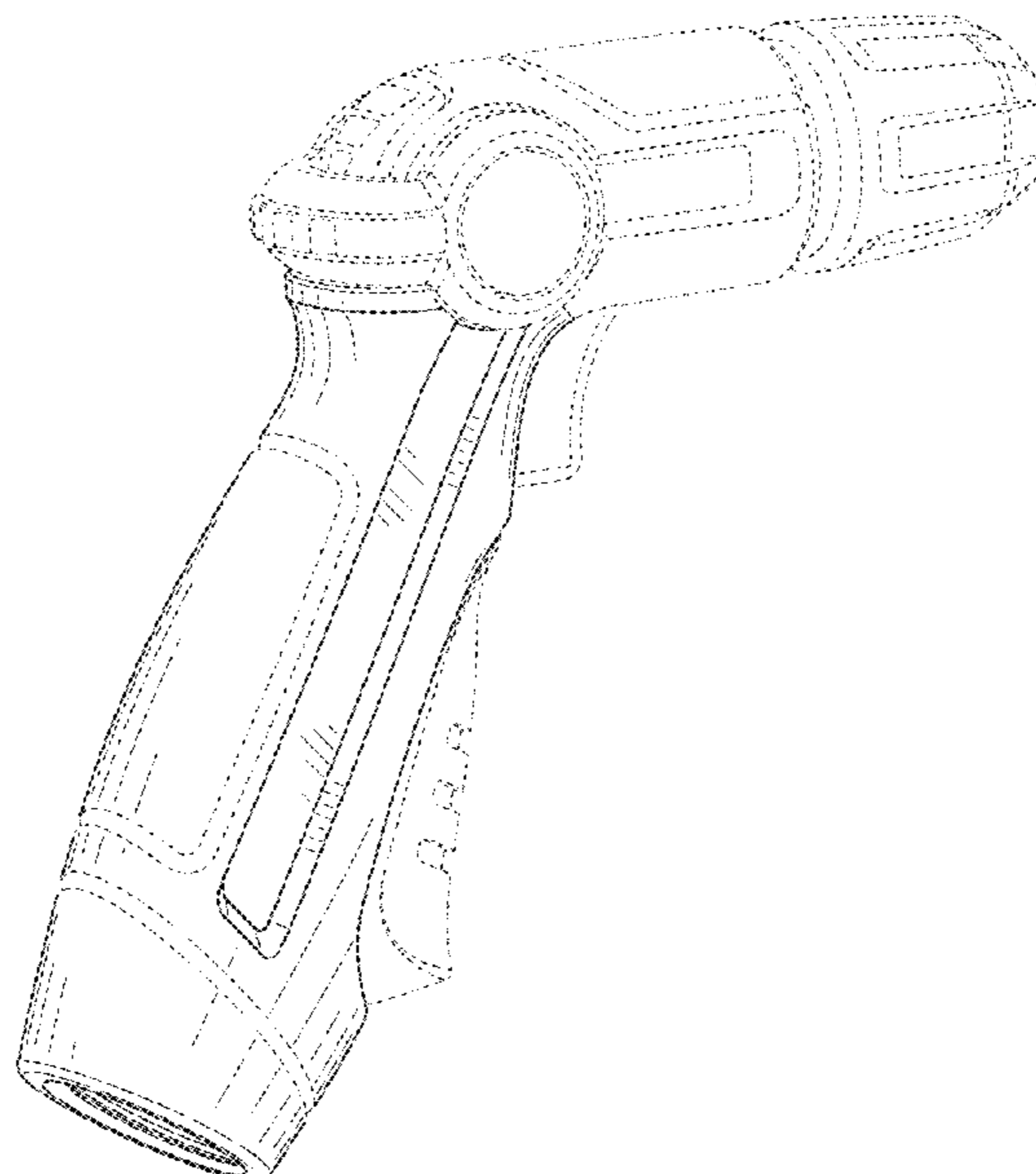
FIG. 1 is a rear perspective view of a nozzle, showing our new design;  
 FIG. 2 is a front elevational view thereof;  
 FIG. 3 is a rear elevational view thereof;  
 FIG. 4 is a right side elevational view thereof;  
 FIG. 5 is a left side elevational view thereof;  
 FIG. 6 is a top plan view thereof;  
 FIG. 7 is a bottom plan view thereof; and,  
 FIG. 8 is a front perspective view thereof.  
 The broken line showing of portions of the nozzle is for the purpose of illustrating environmental structure and forms no part of the claimed design.

(56) **References Cited**

U.S. PATENT DOCUMENTS

- D370,713 S 6/1996 Guo
- D373,813 S 9/1996 Guo
- D451,981 S \* 12/2001 Ericksen ..... D23/226
- D534,241 S \* 12/2006 Wang ..... D23/226
- D548,392 S 8/2007 Lo et al.
- D557,767 S 12/2007 Chih
- D558,858 S 1/2008 Chih
- D559,353 S 1/2008 Chih
- D559,354 S 1/2008 Chih
- D584,380 S \* 1/2009 Cheng ..... D23/223

**1 Claim, 6 Drawing Sheets**



(56)

**References Cited**

U.S. PATENT DOCUMENTS

|              |        |               |         |
|--------------|--------|---------------|---------|
| D792,947 S * | 7/2017 | Hung .....    | D23/226 |
| D824,487 S * | 7/2018 | Montoya ..... | D23/223 |
| D838,340 S * | 1/2019 | Svensen ..... | D23/223 |
| D838,809 S * | 1/2019 | Svensen ..... | D23/223 |
| D851,209 S * | 6/2019 | Cheng .....   | D23/223 |

\* cited by examiner

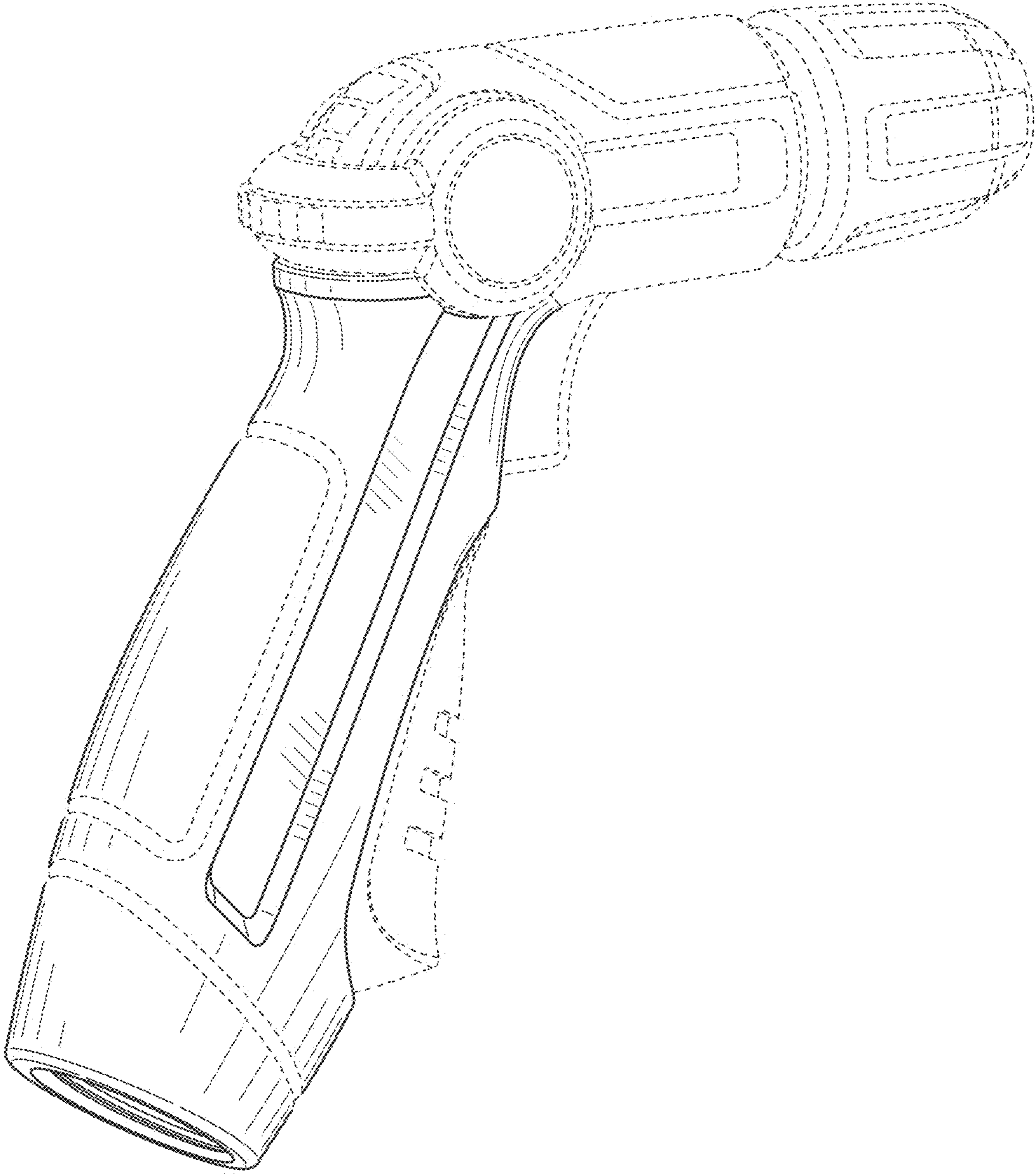


FIG. 1

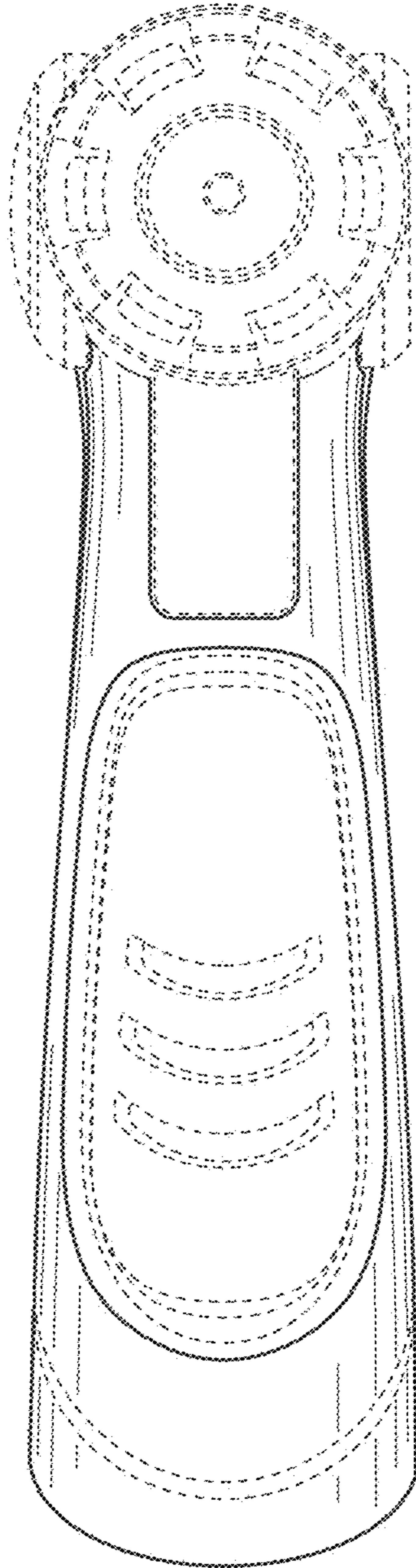


FIG. 2

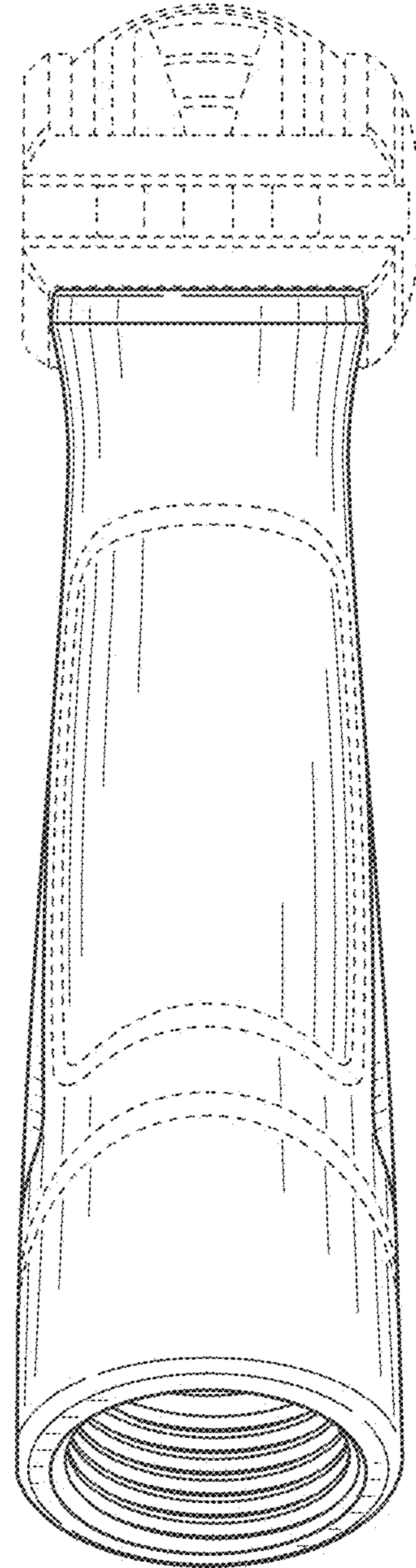


FIG. 3

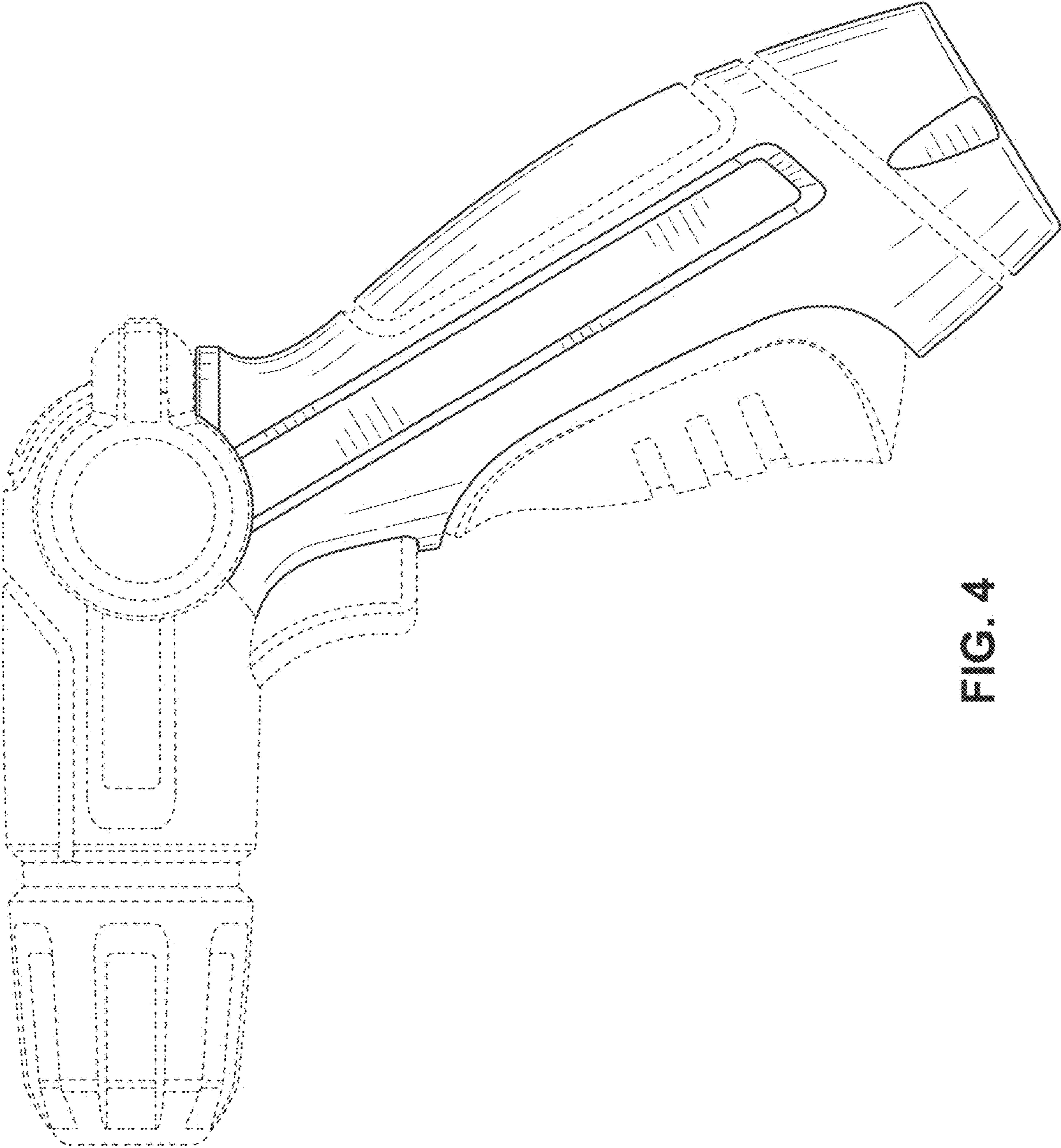


FIG. 4

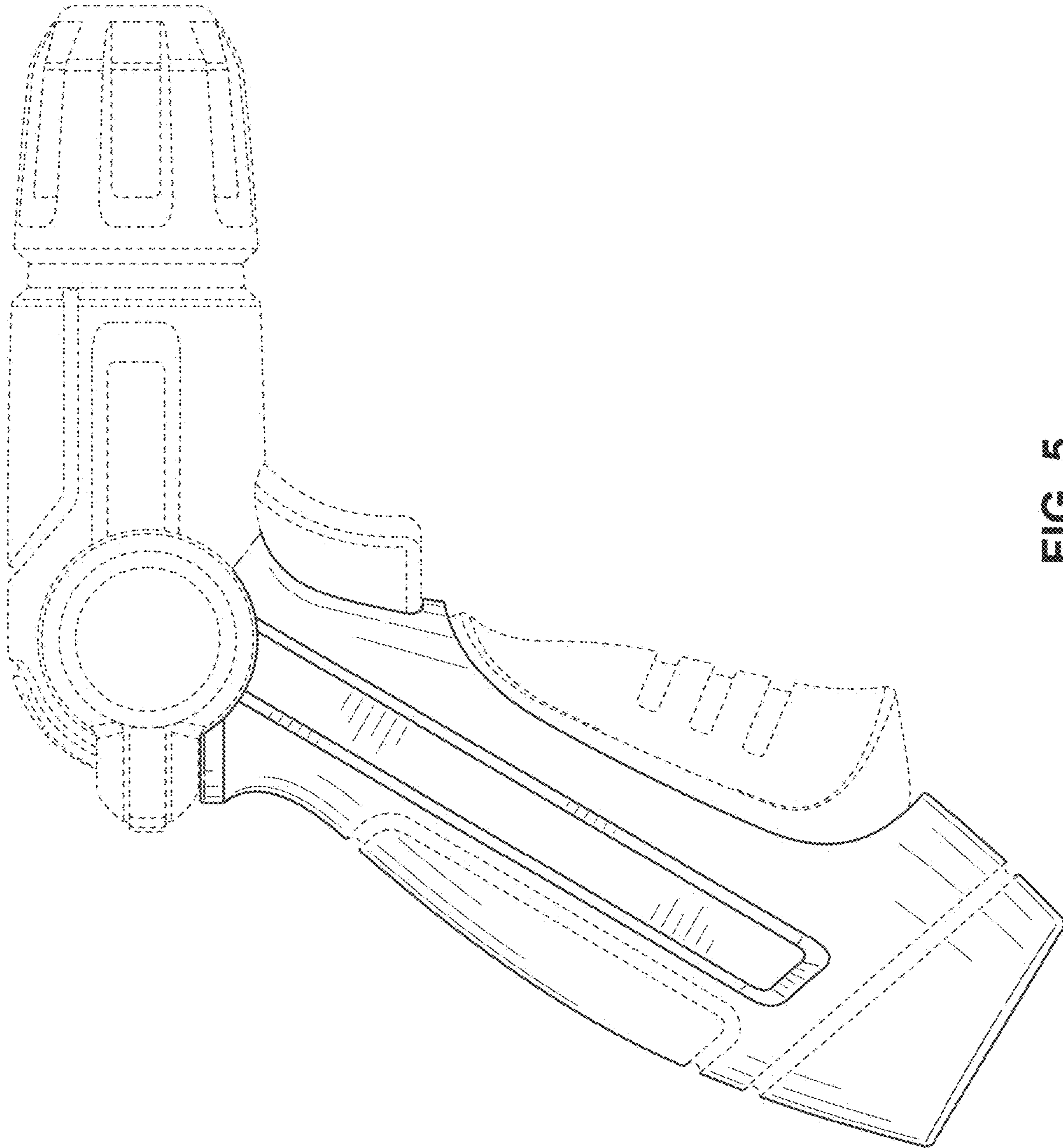


FIG. 5

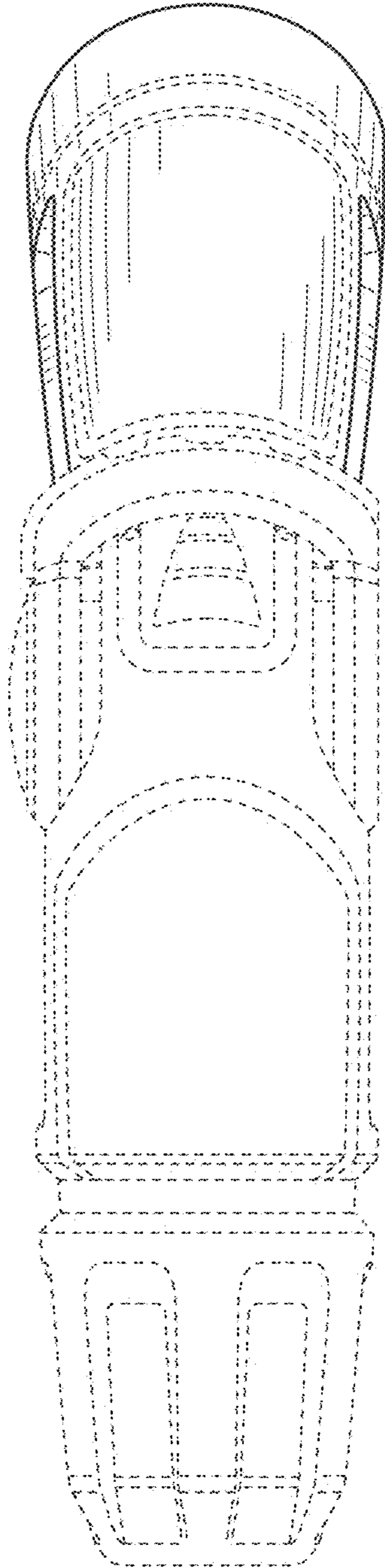


FIG. 6

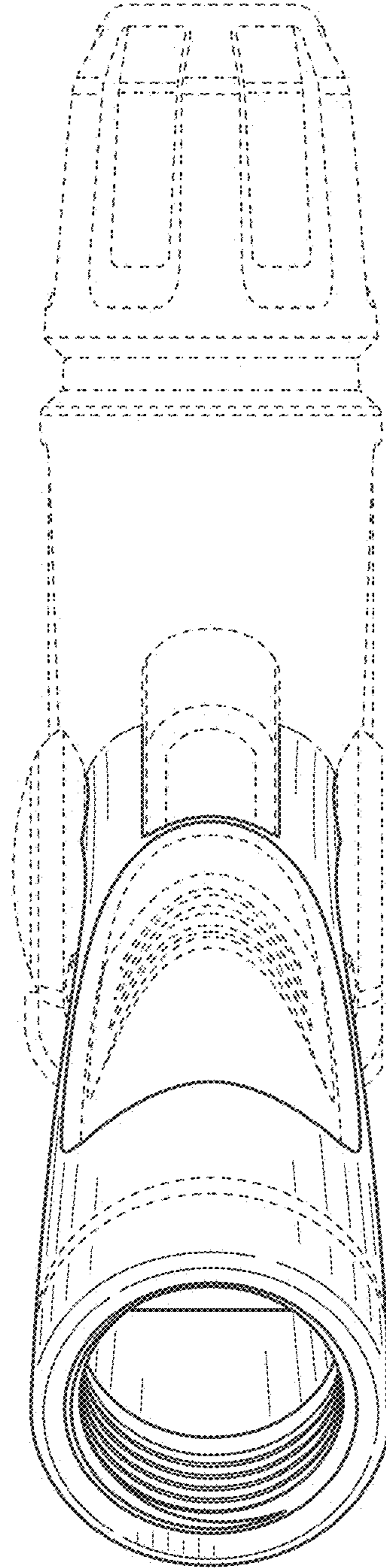


FIG. 7

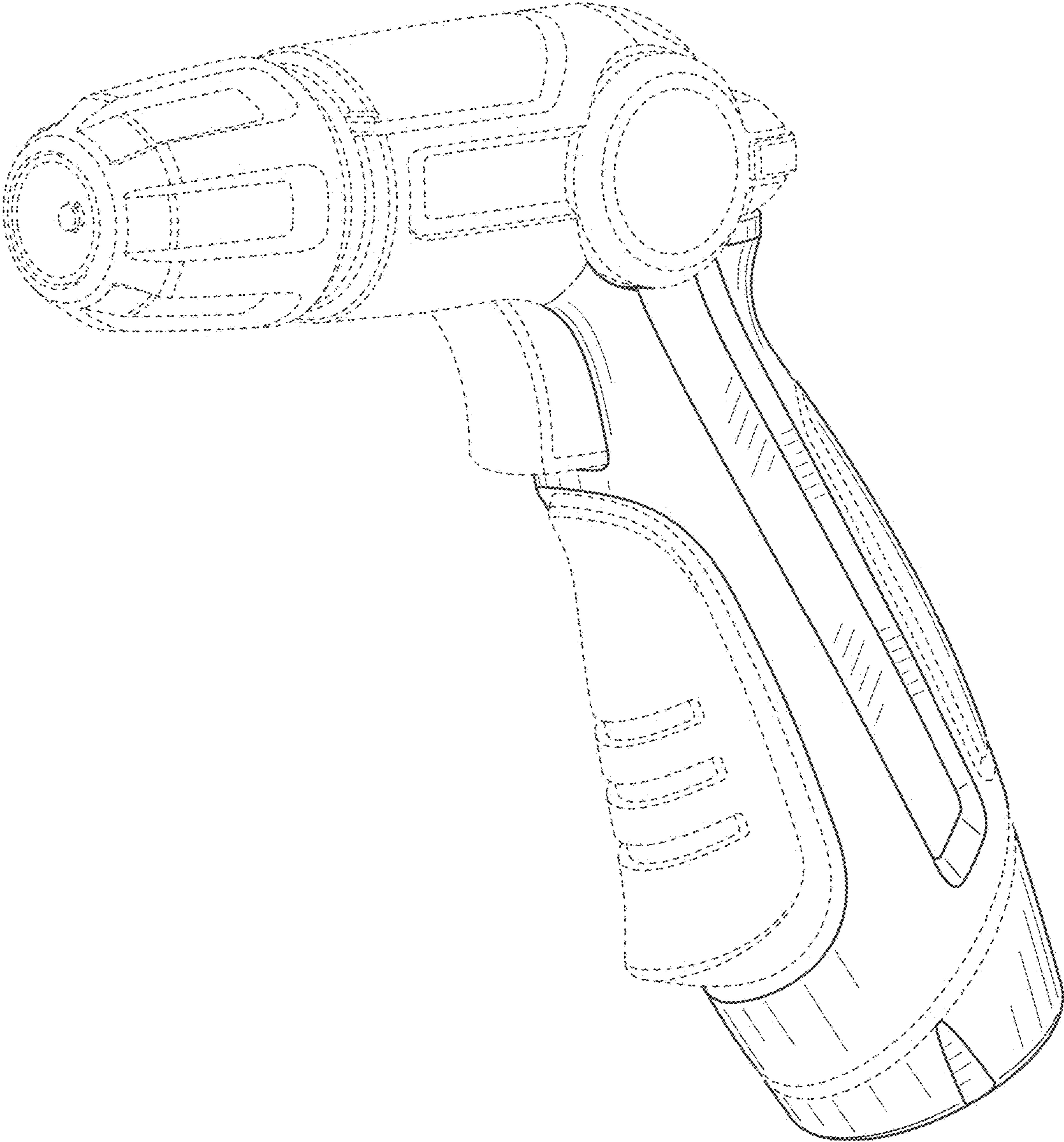


FIG. 8