



US00D875211S

(12) **United States Design Patent** (10) **Patent No.:** **US D875,211 S**
Svendsen et al. (45) **Date of Patent:** **** Feb. 11, 2020**

- (54) **NOZZLE**
- (71) Applicant: **MELNOR, INC.**, Winchester, VA (US)
- (72) Inventors: **Sean Wesley Svendsen**, Columbus, OH (US); **Donald Collins Meves**, Columbus, OH (US); **Eric James Fickas**, Plain City, OH (US)
- (73) Assignee: **MELNOR, INC.**, Winchester, VA (US)
- (**) Term: **15 Years**
- (21) Appl. No.: **29/670,344**
- (22) Filed: **Nov. 15, 2018**

- D475,763 S 6/2003 Kuo
- 6,644,625 B1 * 11/2003 Jacobs B05B 1/3013
251/209
- D517,645 S 3/2006 Chang
- D554,233 S * 10/2007 Chih D23/226
- D557,769 S * 12/2007 Chih D23/226
- D599,884 S * 9/2009 Zore D23/226
- D605,251 S * 12/2009 Zore D23/226
- D606,625 S * 12/2009 Zore D23/226
- D678,980 S * 3/2013 Nies D23/223
- D714,423 S * 9/2014 Mammen D23/226
- D748,758 S * 2/2016 Duong D23/223
- D766,400 S 9/2016 Chen
- D769,415 S 10/2016 Chen
- D770,017 S 10/2016 Chen
- D774,164 S * 12/2016 Chen D23/226
- D779,040 S 2/2017 Chen
- D779,041 S * 2/2017 Chen D23/226
- D779,634 S 2/2017 Chen

(Continued)

Related U.S. Application Data

- (62) Division of application No. 29/598,179, filed on Mar. 23, 2017, now Pat. No. Des. 838,341.
- (51) **LOC (12) Cl.** **23-01**
- (52) **U.S. Cl.**
USPC **D23/226**
- (58) **Field of Classification Search**
USPC D23/226, 223
CPC B05B 1/3013; B05B 1/06
See application file for complete search history.

Primary Examiner — Kevin K Rudzinski
(74) *Attorney, Agent, or Firm* — Westerman, Hattori, Daniels & Adrian, LLP; Stephen B. Parker

(57) **CLAIM**

The ornamental design for a nozzle, as shown and described.

DESCRIPTION

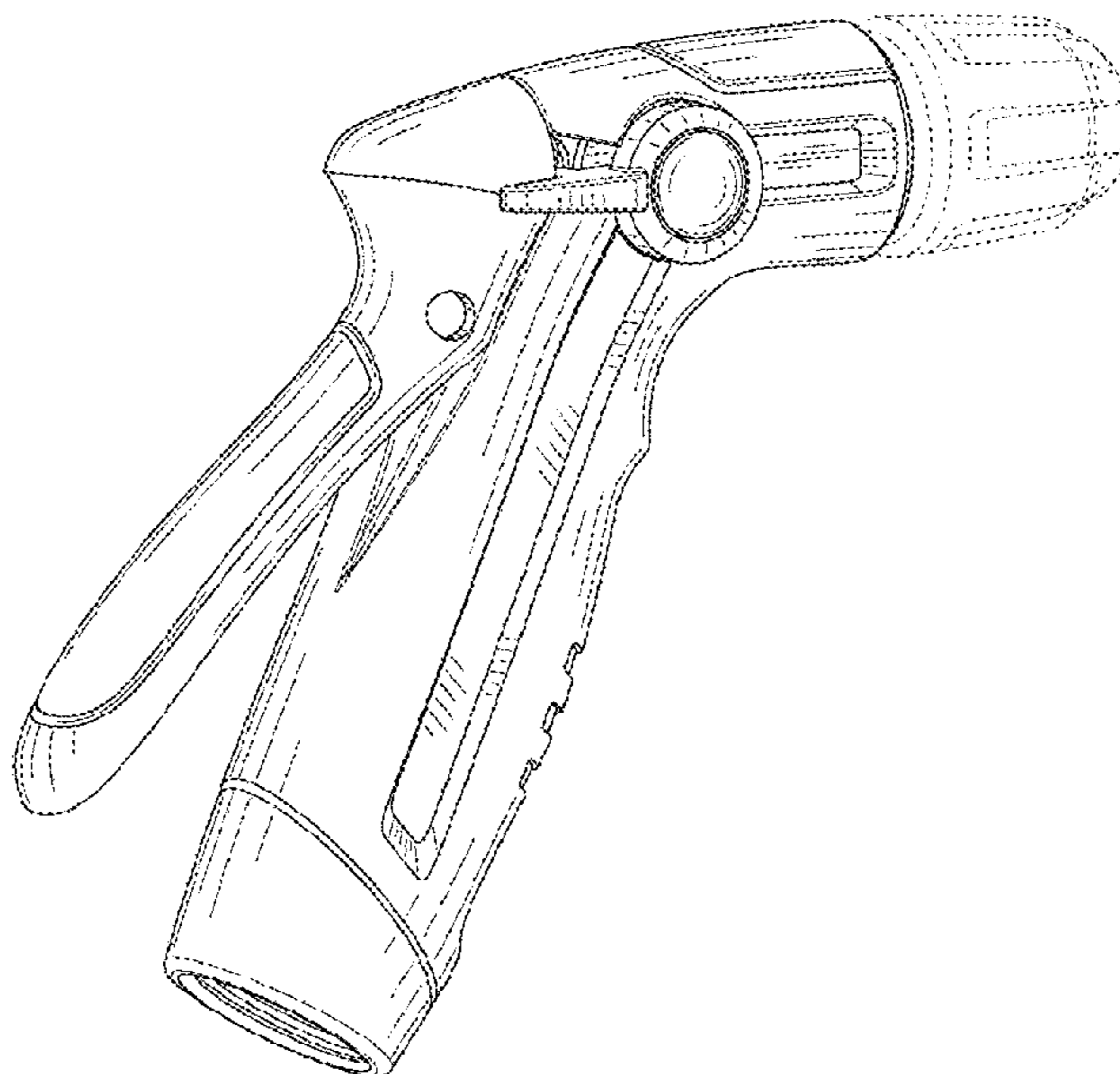
FIG. 1 is a front perspective view of a nozzle, showing our new design;
FIG. 2 is a front elevational view thereof;
FIG. 3 is a rear elevational view thereof;
FIG. 4 is a right side elevational view thereof;
FIG. 5 is a left side elevational view thereof;
FIG. 6 is a top plan view thereof; and,
FIG. 7 is a bottom plan view thereof.
The broken line showing of portions of the nozzle is for the purpose of illustrating environmental structure and forms no part of the claimed design.

(56) **References Cited**

U.S. PATENT DOCUMENTS

- D355,953 S 2/1995 Wang
- D408,496 S * 4/1999 Wang D23/226
- D408,497 S * 4/1999 Wang D23/226
- D409,720 S * 5/1999 Guo D23/226
- D431,069 S * 9/2000 Heren D23/226
- D431,280 S * 9/2000 Kuo D23/226
- D454,619 S * 3/2002 Wang D23/226
- D461,227 S * 8/2002 Guo D23/226
- D475,122 S * 5/2003 Kuo D23/226
- D475,762 S 6/2003 Kuo

1 Claim, 5 Drawing Sheets



(56)

References Cited

U.S. PATENT DOCUMENTS

D780,293	S	*	2/2017	Chen	D23/226
D783,123	S	*	4/2017	Chen	D23/226
D783,125	S	*	4/2017	Chen	D23/226
D800,254	S	*	10/2017	Chen	D23/226
D800,255	S	*	10/2017	Chen	D23/226
D824,488	S	*	7/2018	Montoya	D23/223
D824,489	S	*	7/2018	Montoya	D23/223
D838,341	S	*	1/2019	Svensen	D23/226
D839,992	S	*	2/2019	Svensen	D23/226
D846,074	S	*	4/2019	Pease	D23/226
2013/0015271	A1	*	1/2013	Chen	B05B 1/06 239/526

* cited by examiner

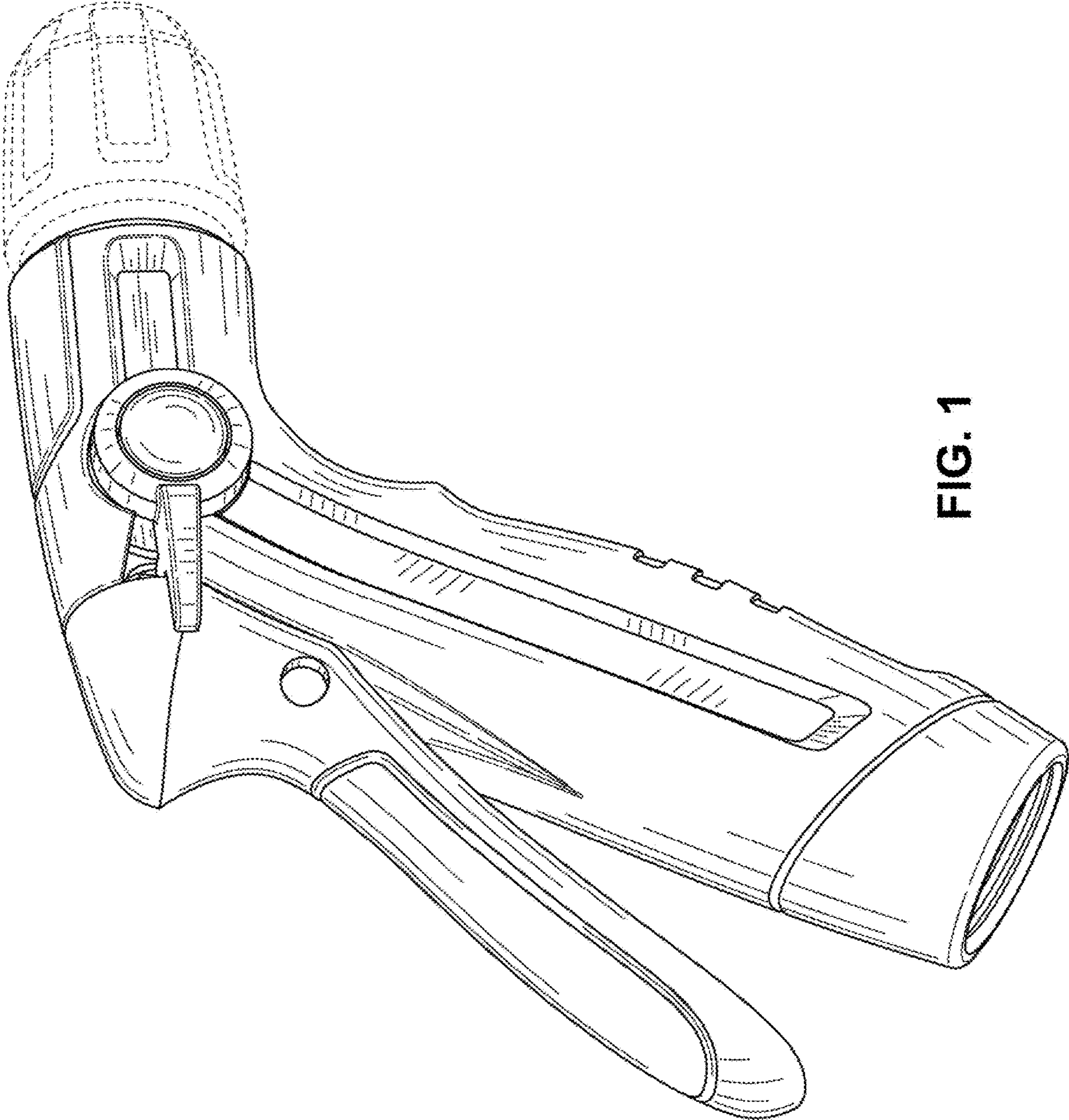


FIG. 1

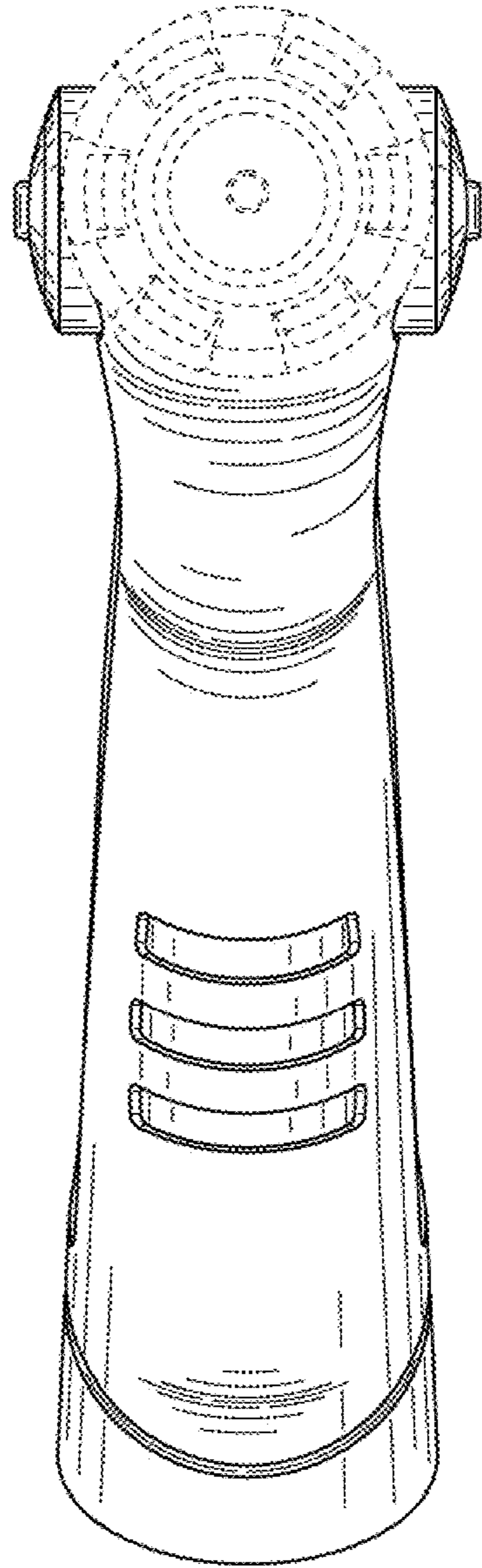


FIG. 2

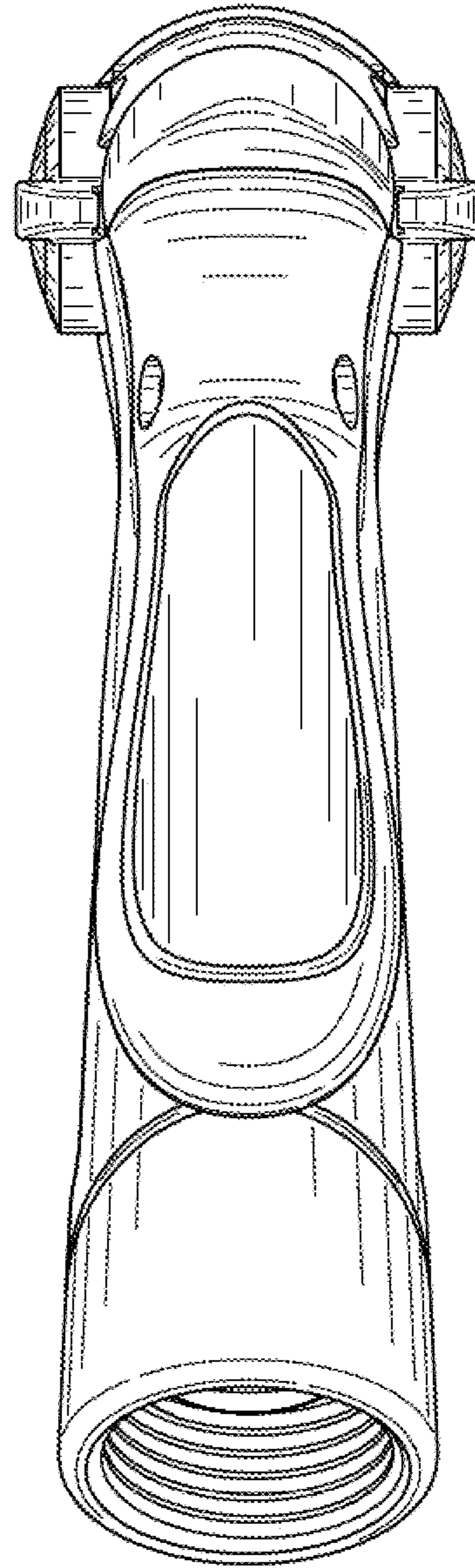


FIG. 3

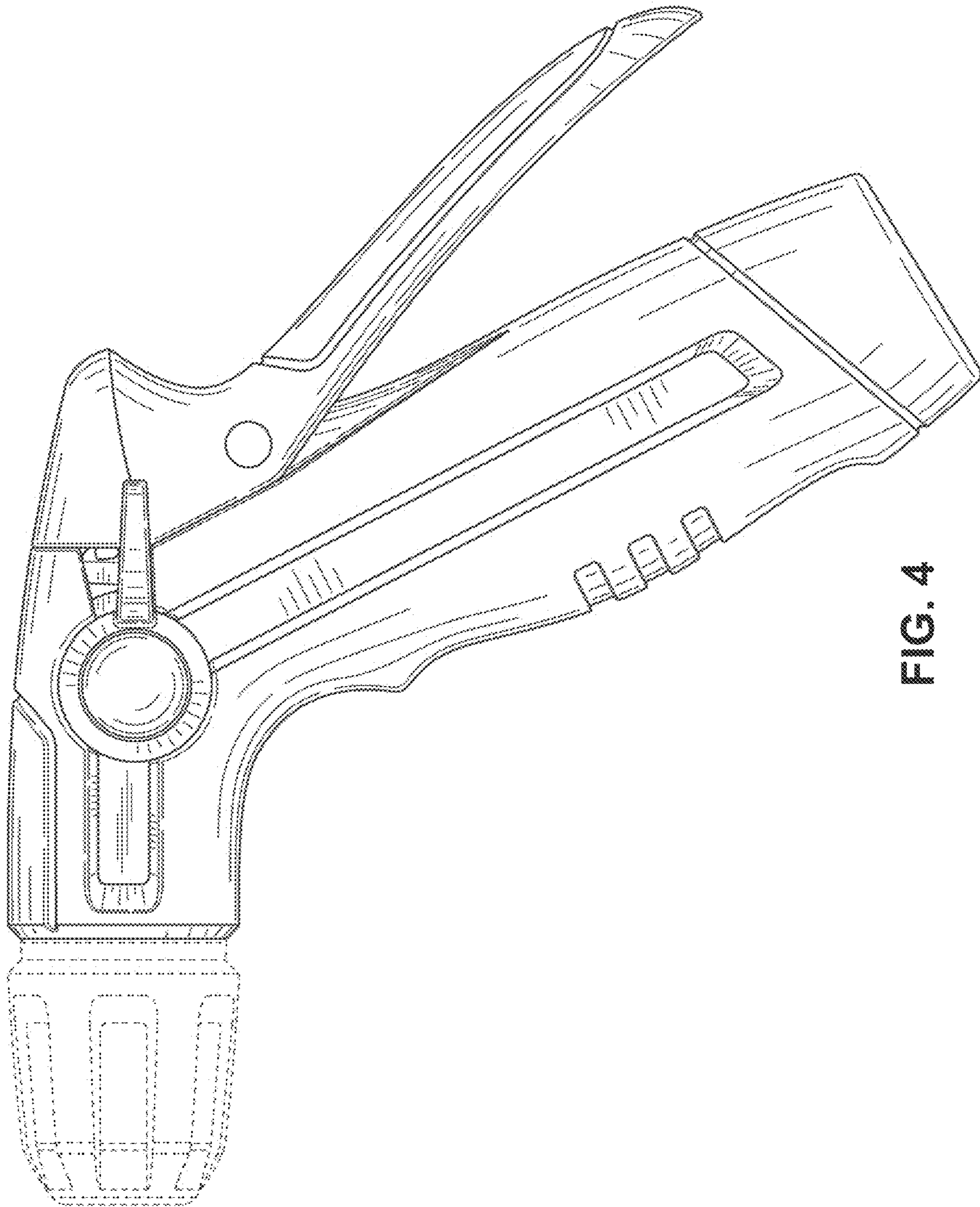


FIG. 4

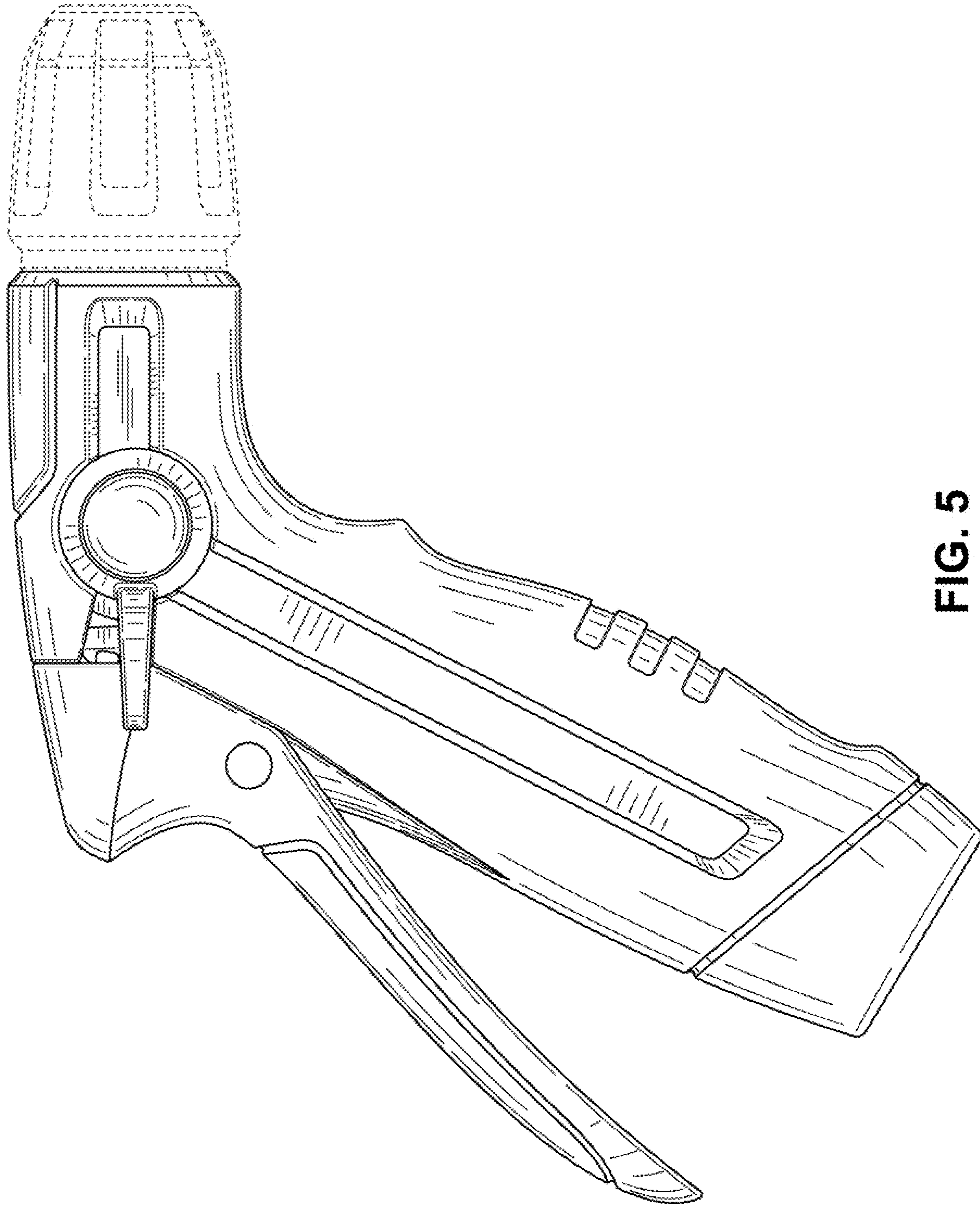


FIG. 5

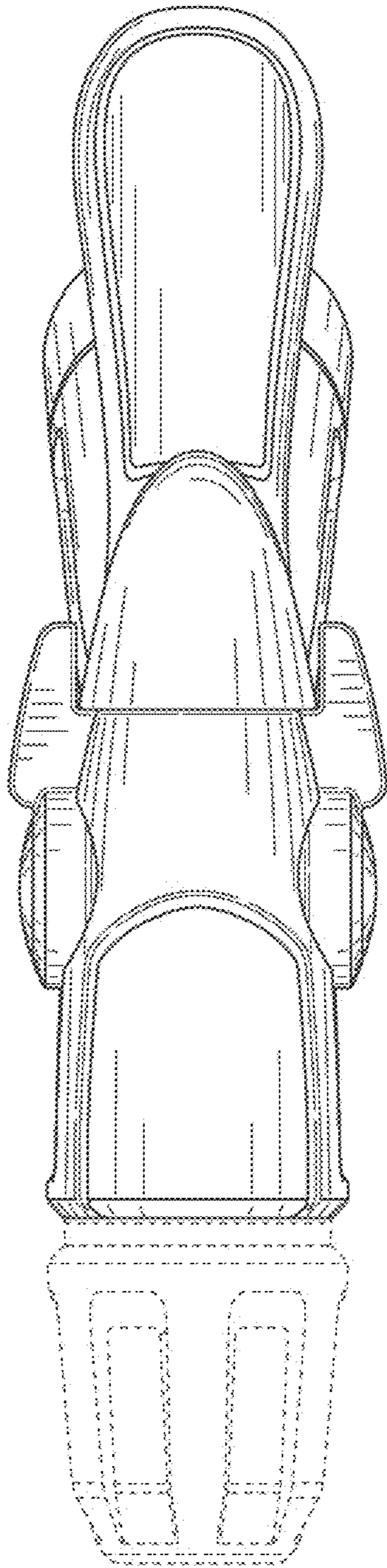


FIG. 6

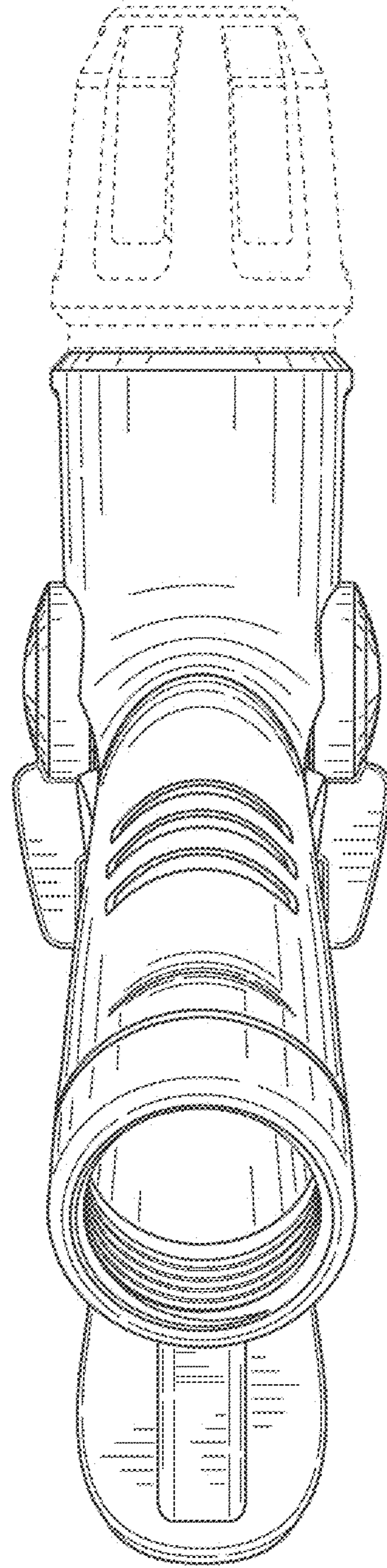


FIG. 7