



US00D875207S

(12) **United States Design Patent** (10) **Patent No.:** **US D875,207 S**  
**Babanova et al.** (45) **Date of Patent:** **\*\* Feb. 11, 2020**

(54) **BIOELECTROCHEMICAL REACTOR**

D357,056 S \* 4/1995 Linton ..... D23/200  
D758,527 S \* 6/2016 Quiblier ..... D23/207  
D771,769 S \* 11/2016 Pin ..... D23/207  
2004/0045899 A1 \* 3/2004 Humphrey ..... C02F 3/02  
210/620

(71) Applicant: **Aquacycl LLC**, San Diego, CA (US)

(72) Inventors: **Sofia Malinova Babanova**, San Diego, CA (US); **Orianna Bretschger**, San Diego, CA (US); **Carlo Abraham Angulo Rodriguez**, Lakeside, CA (US); **Jaime Octavio Garcia Cornejo**, La Mesa, CA (US)

(Continued)

(73) Assignee: **AQUACYCL LLC**, San Diego, CA (US)

(\*\*) Term: **15 Years**

(21) Appl. No.: **29/658,500**

(22) Filed: **Jul. 31, 2018**

(51) **LOC (12) Cl.** ..... **23-01**

(52) **U.S. Cl.**  
USPC ..... **D23/207**

(58) **Field of Classification Search**  
USPC ..... D24/216, 219, 223, 224, 227, 229, 230, D24/231, 232, 233, 234, 107, 186, 217, D24/220, 225, 226; D10/81, 97; D23/207-209; 210/435, 241, 266, 80, 210/232  
CPC ..... G01N 2035/00306; G01N 2035/00326; G01N 2035/00336; G01N 33/53; G01N 33/5302; G01N 33/569; B01L 7/52; C02F 11/00; C02F 11/006; C02F 3/00; C02F 3/05; C02F 3/06; C02F 3/025; C02F 2003/001; C02F 2003/008; E03F 5/14  
See application file for complete search history.

(56) **References Cited**

U.S. PATENT DOCUMENTS

D236,463 S \* 8/1975 Giovagnoli ..... D23/207  
4,978,429 A \* 12/1990 Sears ..... B01D 1/221  
159/17.1

OTHER PUBLICATIONS

AquamTechnologies\_SBIO'18, posted at youtube.com, posted Apr. 19, 2018, online, URL:https://www.youtube.com/watch?v=Sp795\_Erp4c (Year: 2018).\*

*Primary Examiner* — Barbara Fox  
*Assistant Examiner* — Mary Shannon Malley  
(74) *Attorney, Agent, or Firm* — Perkins Coie LLP

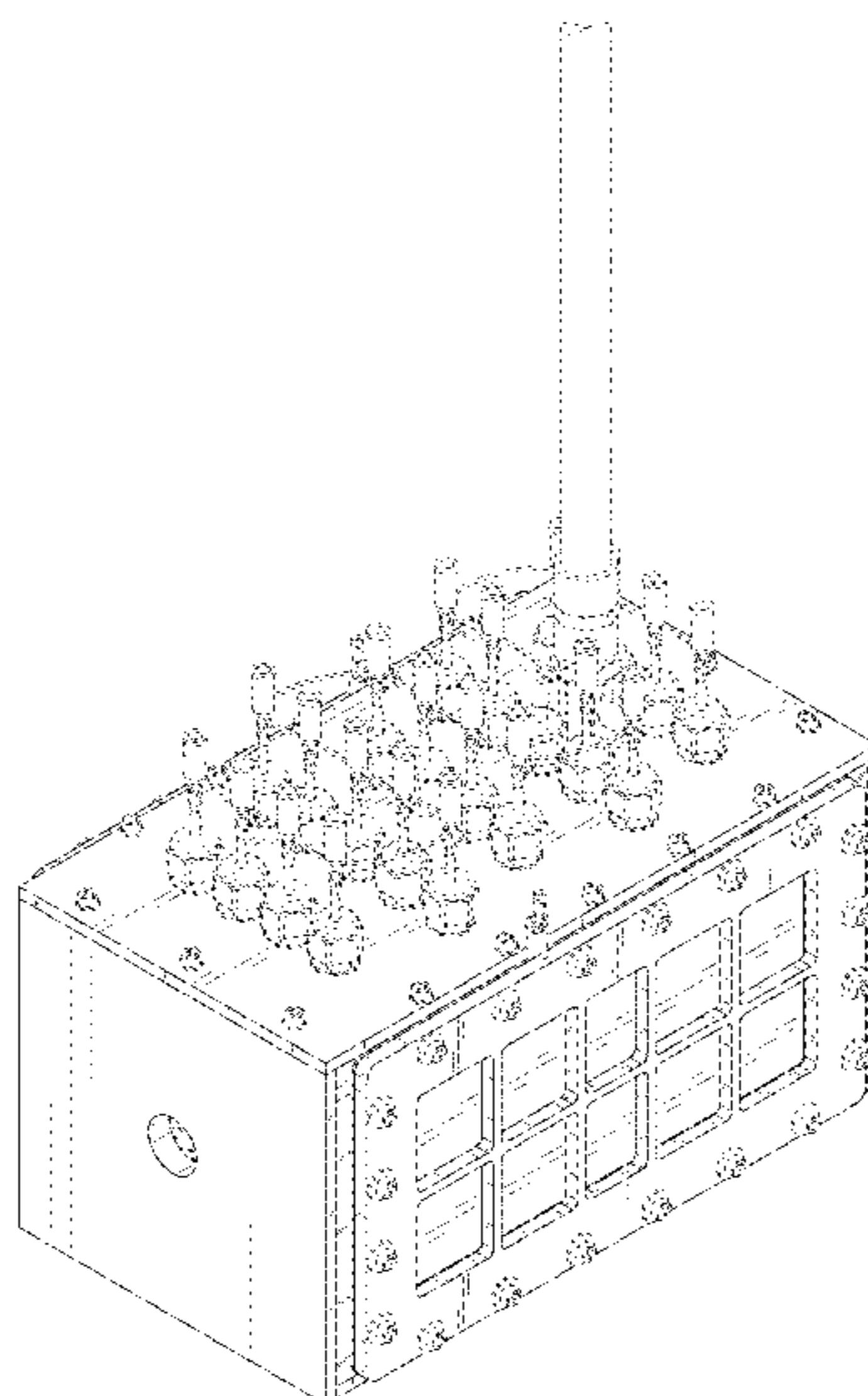
(57) **CLAIM**

The ornamental design for a bioelectrochemical reactor, as shown and described.

**DESCRIPTION**

FIG. 1 is a perspective view of a bioelectrochemical reactor showing the new design;  
FIG. 2 is a side view of the bioelectrochemical reactor of FIG. 1;  
FIG. 3 is a side view of the bioelectrochemical reactor of FIG. 1 opposite the side view shown in FIG. 2;  
FIG. 4 is an end view of the bioelectrochemical reactor of FIG. 1;  
FIG. 5 is an end view of the bioelectrochemical reactor of FIG. 1 opposite the end view shown in FIG. 4;  
FIG. 6 is a top view of the bioelectrochemical reactor of FIG. 1;  
FIG. 7 is a bottom view of the bioelectrochemical reactor of FIG. 1; and,  
FIG. 8 is an exploded view of the bioelectrochemical reactor of FIG. 1.  
The broken-lines shown in the drawings illustrate structures or environment that form no part of the claimed design.

**1 Claim, 8 Drawing Sheets**



(56)

**References Cited**

U.S. PATENT DOCUMENTS

2004/0060857 A1\* 4/2004 Pattee ..... B01D 21/0003  
210/232  
2012/0093692 A1\* 4/2012 Blomberg ..... G01N 30/88  
422/129  
2016/0083952 A1\* 3/2016 Lee ..... E03F 5/14  
210/298  
2016/0115062 A1\* 4/2016 Krieger ..... C02F 9/00  
210/241  
2017/0275193 A1\* 9/2017 Graves ..... C02F 9/00  
2017/0342698 A1\* 11/2017 Fink ..... E03F 5/14

\* cited by examiner

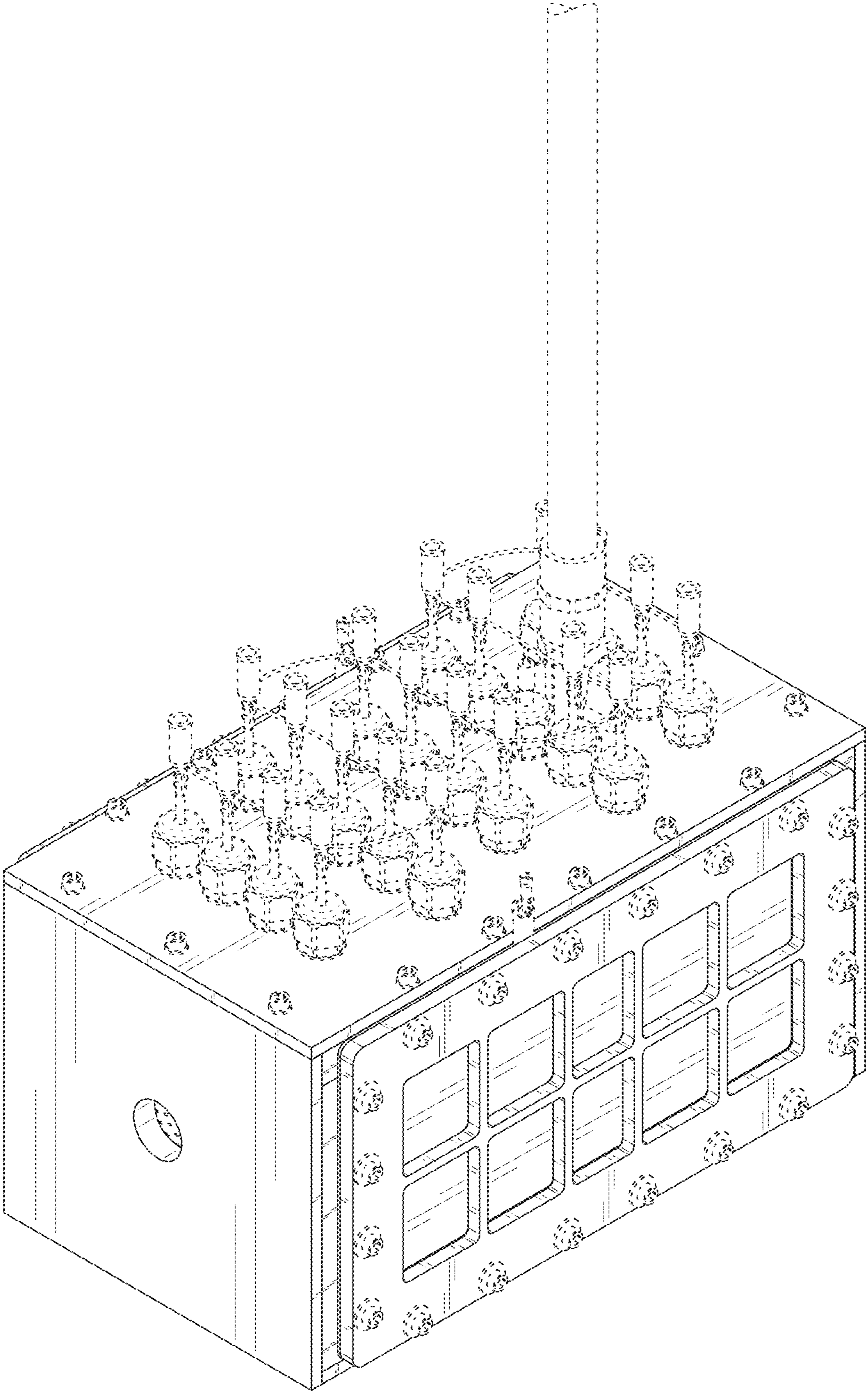


FIG. 1

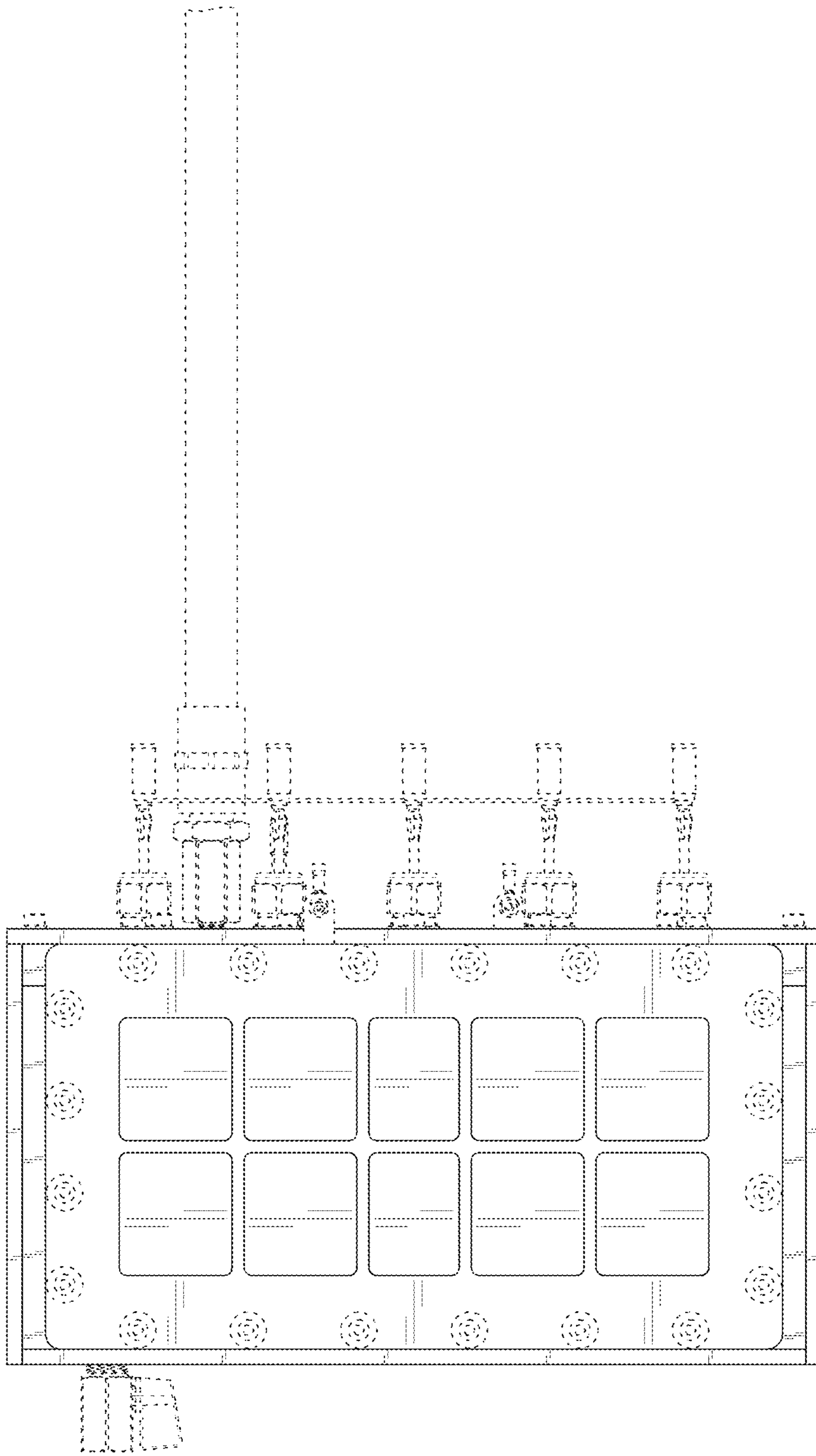


FIG. 2

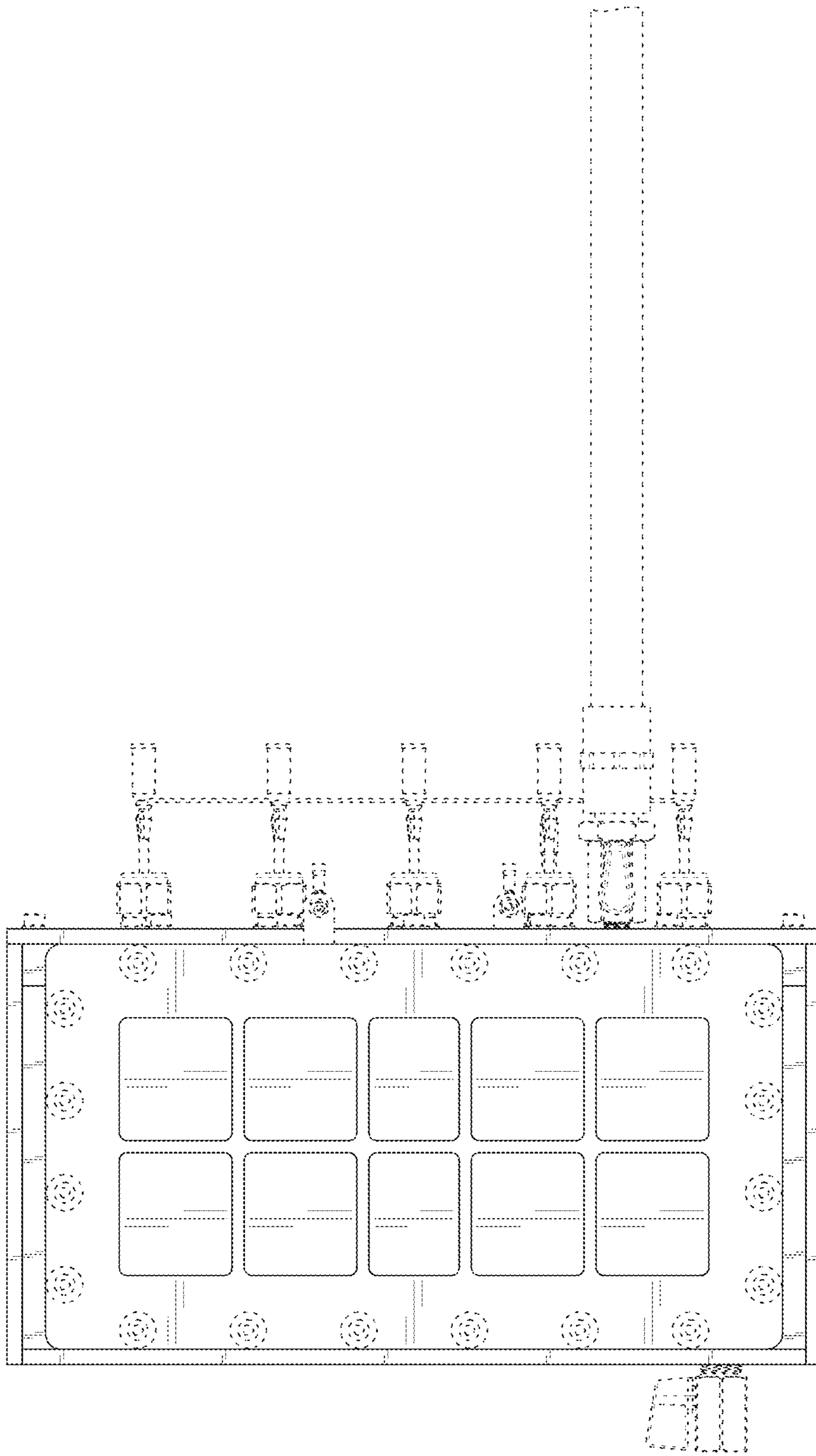


FIG. 3

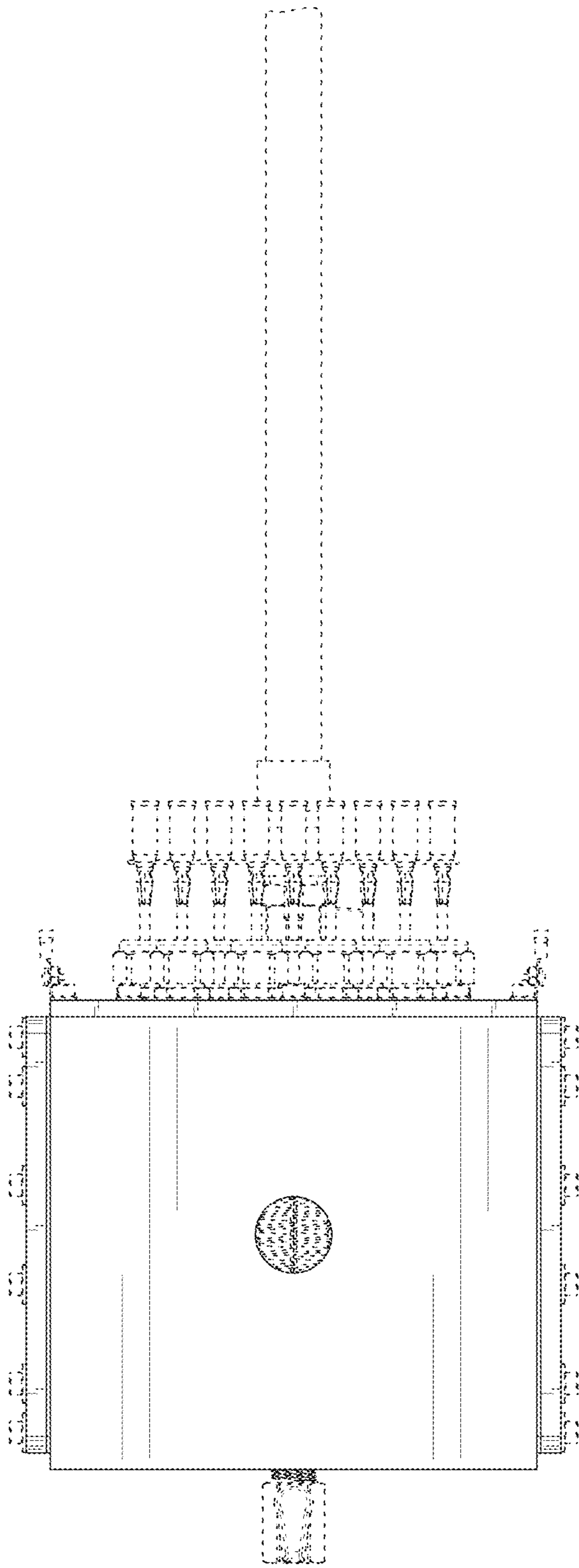


FIG. 4

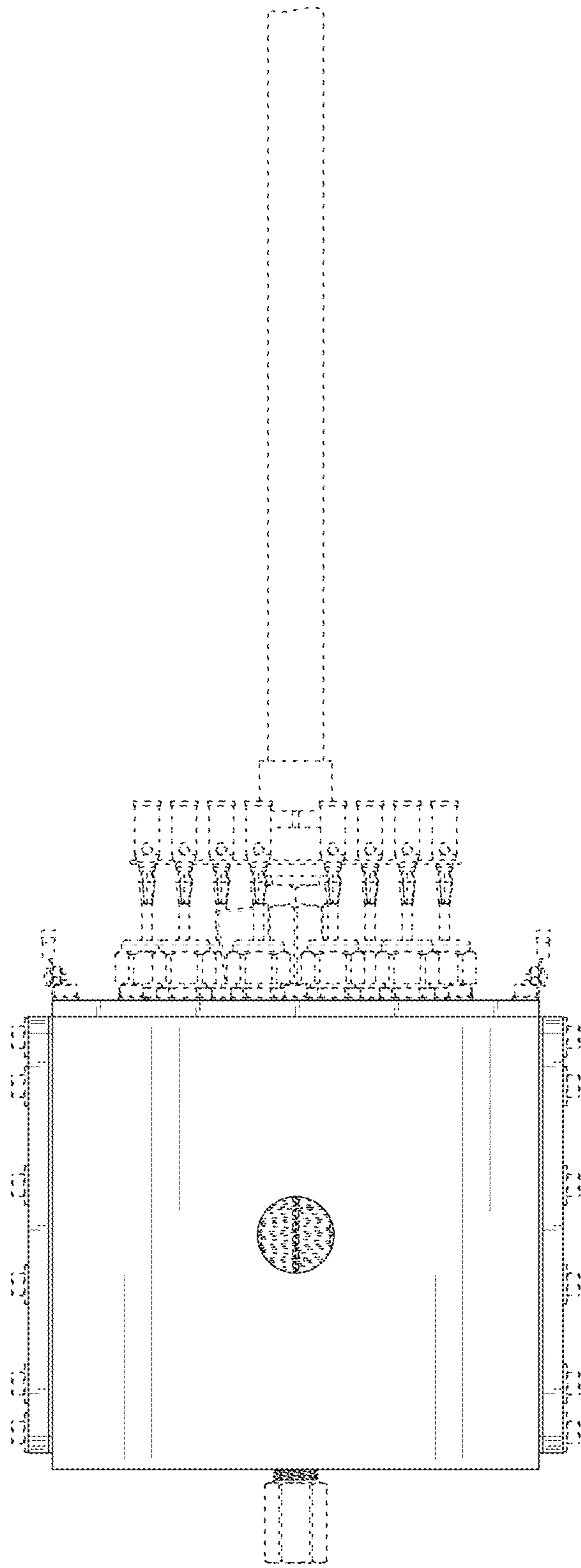


FIG. 5

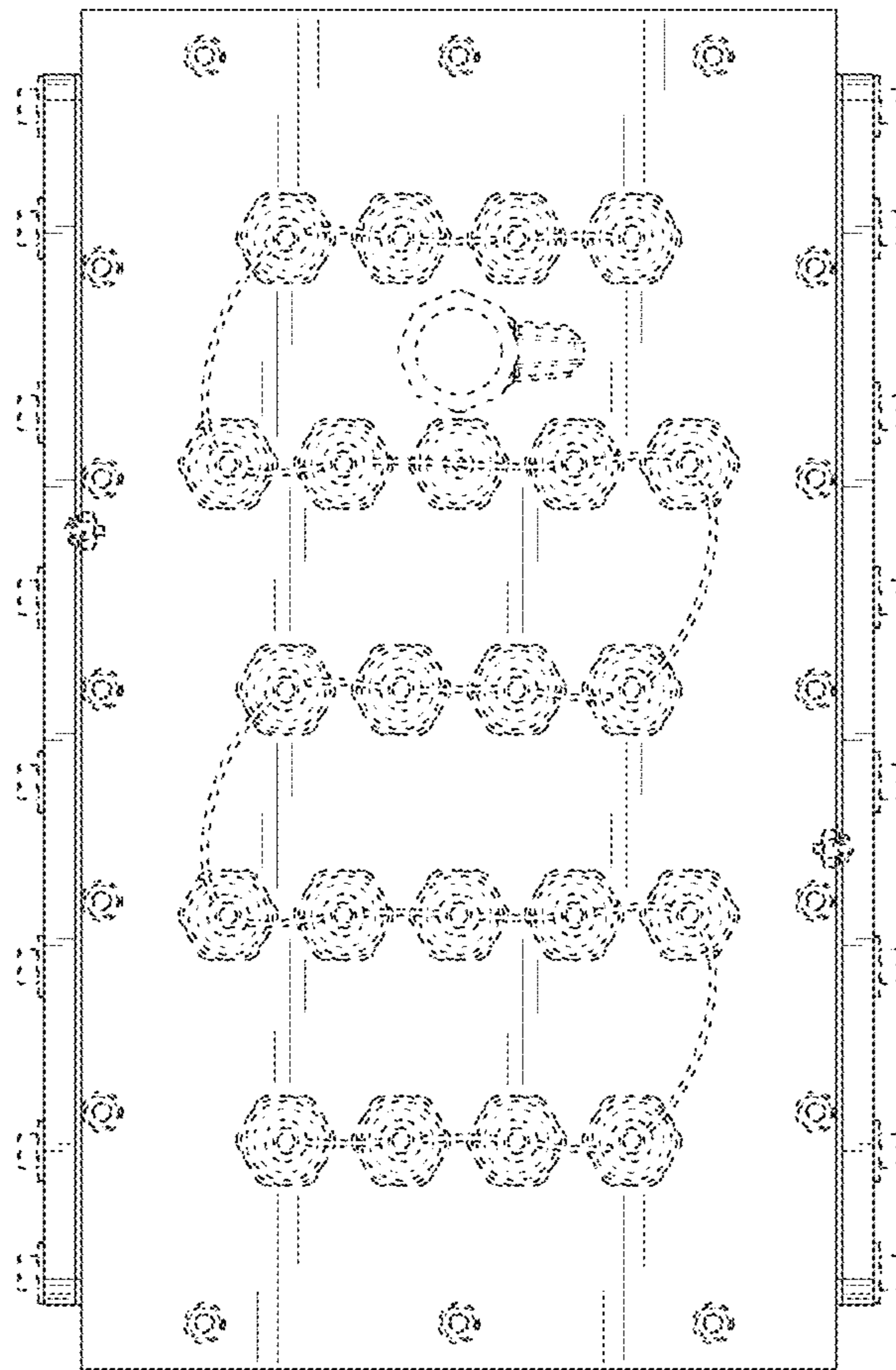


FIG. 6



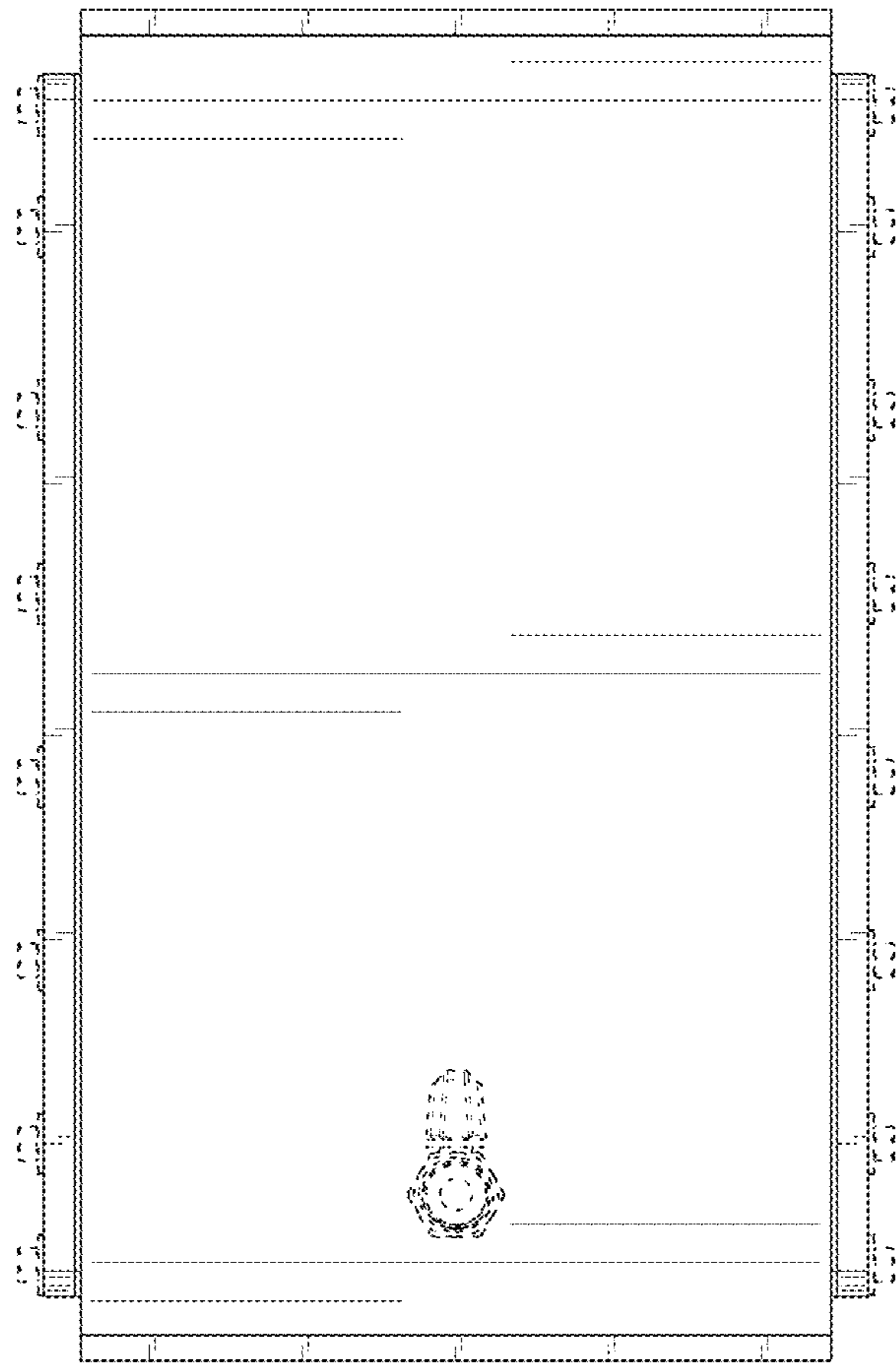


FIG. 7

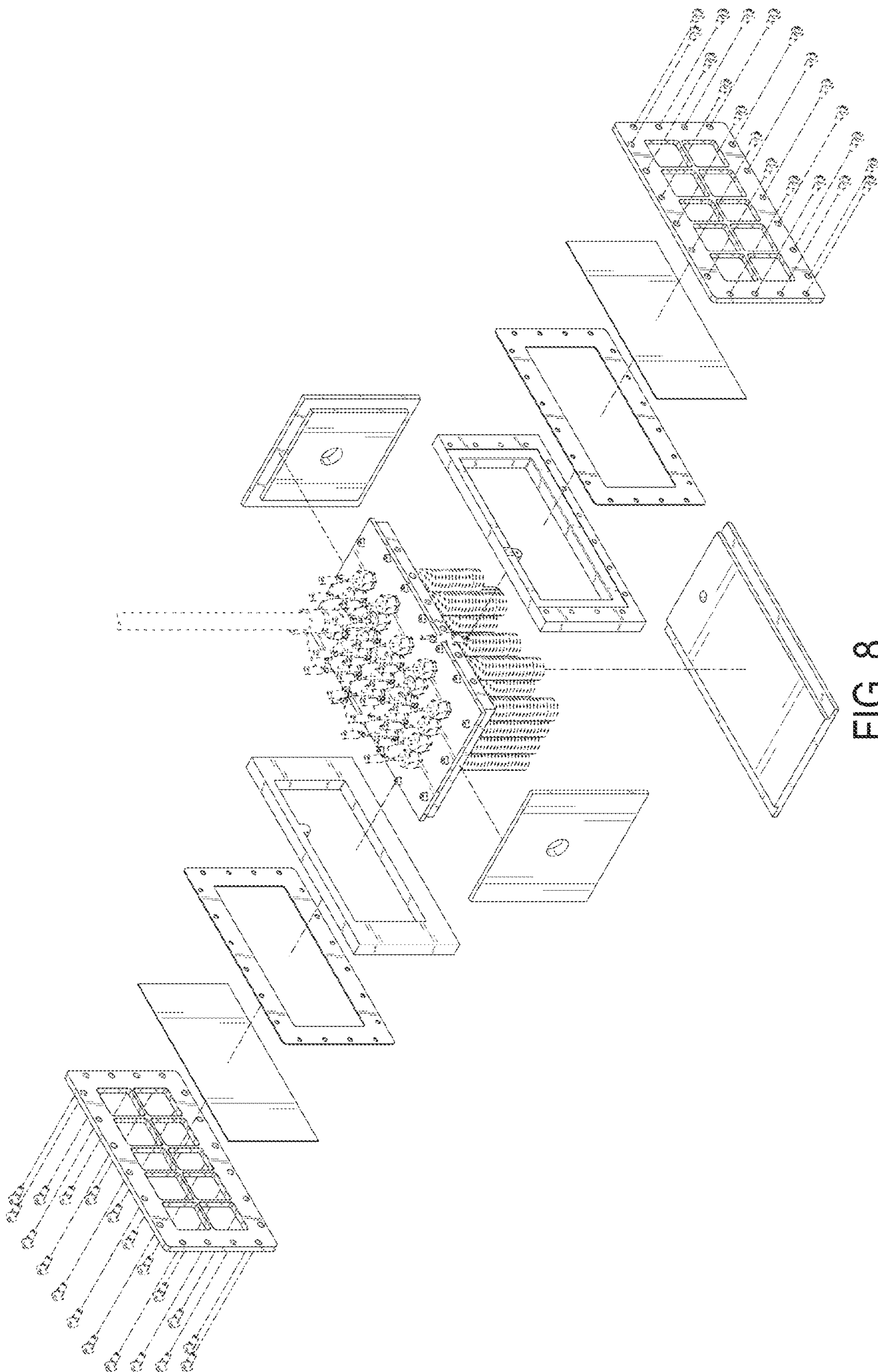


FIG. 8