



US00D875206S

(12) **United States Design Patent** (10) **Patent No.:** **US D875,206 S**
Gourgel et al. (45) **Date of Patent:** **** Feb. 11, 2020**

(54) **STORAGE CONTAINER**

- (71) Applicant: **Western Global Holdings Limited**, Bristol (GB)
- (72) Inventors: **Andre Gourgel**, Bristol (GB); **Malcolm Gash**, Dubai (AE)
- (73) Assignee: **WESTERN GLOBAL HOLDINGS LIMITED** (GB)
- (**) Term: **15 Years**

- (21) Appl. No.: **29/669,621**
- (22) Filed: **Nov. 9, 2018**

(30) **Foreign Application Priority Data**

- Jun. 13, 2018 (EM) 005309366
- (51) **LOC (12) Cl.** **23-01**
- (52) **U.S. Cl.**
USPC **D23/202; D3/272**
- (58) **Field of Classification Search**
USPC D25/1, 3-35, 56, 61; 52/79.5; D3/321, D3/272; D23/202-207
CPC E04H 1/00-1277; E04H 2001/1283; E04H 5/00-08; E04H 9/00; E04H 9/04-16; E04H 15/48; E04B 1/3444; E04B 1/3442; E04B 1/344; B65D 88/121; B65D 88/00; B65D 88/30
See application file for complete search history.

(56) **References Cited**

- U.S. PATENT DOCUMENTS**
 - 3,457,698 A * 7/1969 Albers E04B 1/24 52/223.7
 - D370,780 S * 6/1996 Bungler D3/272
- (Continued)

OTHER PUBLICATIONS

AU Design Examination Report for App. No. 201817467; dated Sep. 9, 2019; 4 pgs.
(Continued)

Primary Examiner — Brett Miller
(74) *Attorney, Agent, or Firm* — Gardner Groff & Greenwald, PC

(57) **CLAIM**

The ornamental design for a storage container, substantially as shown and described.

DESCRIPTION

FIG. 1 is a perspective view of a storage container according to an embodiment of the design, in a doors-closed configuration.

FIG. 2 is a front view of the storage container of FIG. 1.

FIG. 3 is a back view of the storage container of FIG. 1.

FIG. 4 is a first side view of the storage container of FIG. 1.

FIG. 5 is a second side view of the storage container of FIG. 1.

FIG. 6 is a top view of the storage container of FIG. 1.

FIG. 7 is a bottom view of the storage container of FIG. 1.

FIG. 8 is another perspective view of the storage container of FIG. 1, in a doors-open configuration.

FIG. 9 is a front view of the storage container of FIG. 8.

FIG. 10 is a back view of the storage container of FIG. 8.

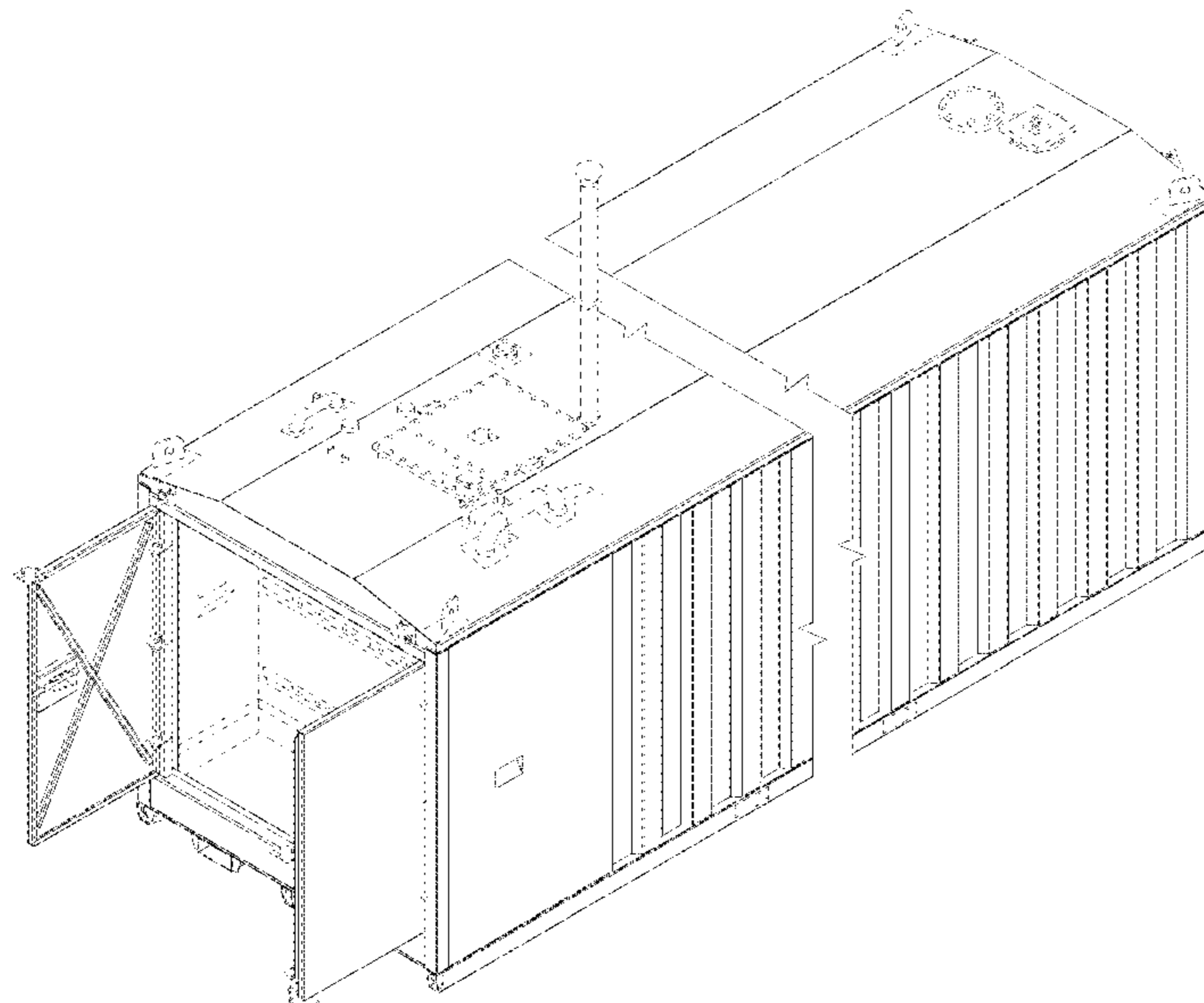
FIG. 11 is a first side view of the storage container of FIG. 8.

FIG. 12 is a second side view of the storage container of FIG. 8.

FIG. 13 is a top view of the storage container of FIG. 8; and, FIG. 14 is a bottom view of the storage container of FIG. 8.

In the drawings, the broken lines depict environmental subject matter only and form no part of the claimed design. The drawings include symbolic break lines. Any portion of the storage container between the break lines forms no part of the claimed design.

1 Claim, 14 Drawing Sheets



(56)

References Cited

U.S. PATENT DOCUMENTS

5,624,049 A * 4/1997 Kovash B65D 88/121
 220/1.5
 5,735,639 A * 4/1998 Payne B65D 88/121
 206/386
 D403,153 S * 12/1998 Martineau D3/272
 D594,232 S * 6/2009 Wyse D3/321
 D631,559 S * 1/2011 Gibson D25/33
 D655,019 S * 2/2012 Colless D25/15
 D688,351 S * 8/2013 Oren B65D 88/30
 D23/202
 D708,348 S * 7/2014 Yoder D25/33
 D739,556 S * 9/2015 Yoder D25/33
 D750,803 S * 3/2016 Chan D25/16
 9,534,370 B2 * 1/2017 Kokoschka F02B 63/044
 D780,883 S * 3/2017 Schaffner D23/202
 9,776,223 B2 * 10/2017 Rankin B05B 16/60
 D823,798 S * 7/2018 Gleave D13/110
 D844,830 S * 4/2019 Lucht D25/33
 2006/0043090 A1 * 3/2006 Ferrini B65D 88/522
 220/6
 2018/0238770 A1 * 8/2018 Annunen E04B 1/3483

OTHER PUBLICATIONS

Facebook—Western Global Envirocube; <https://www.facebook.com/westernglobal/>; May 4, 2018; 1 pg.

Western Global introduces Envirocube stationary fuel tank; https://www.facebook.com/westernglobal/?_tn_+%2Cd2CP-R&eid=ARCF-m-ycEnnbXN1flp01P7JVAu34Rq9voKdIfj7SyD51yFh91CO-hpfsZFG4VbwBO1oAEJW7mk-JdB; Apr. 28, 2018; 1 pg.

* cited by examiner

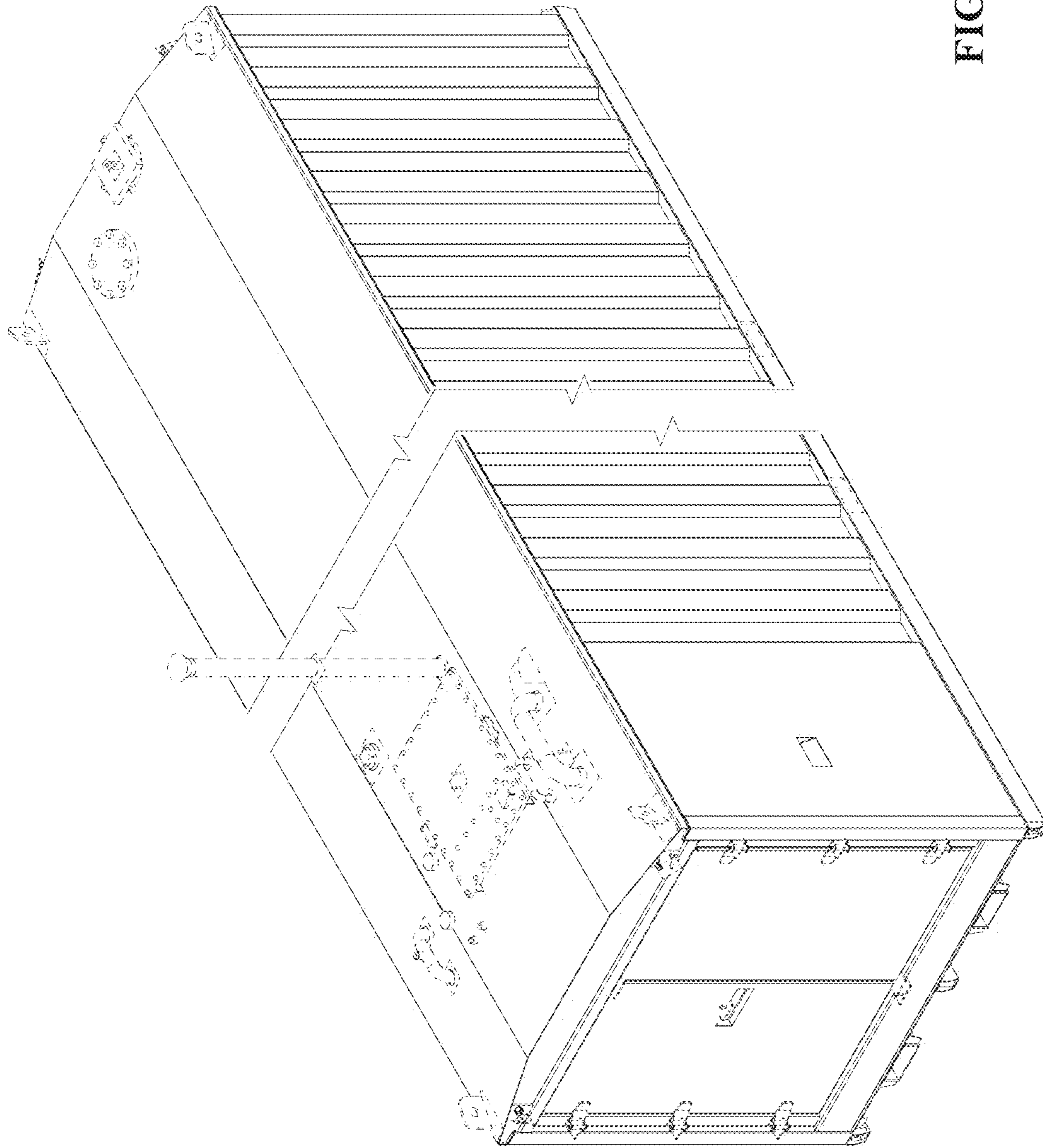


FIG. 1

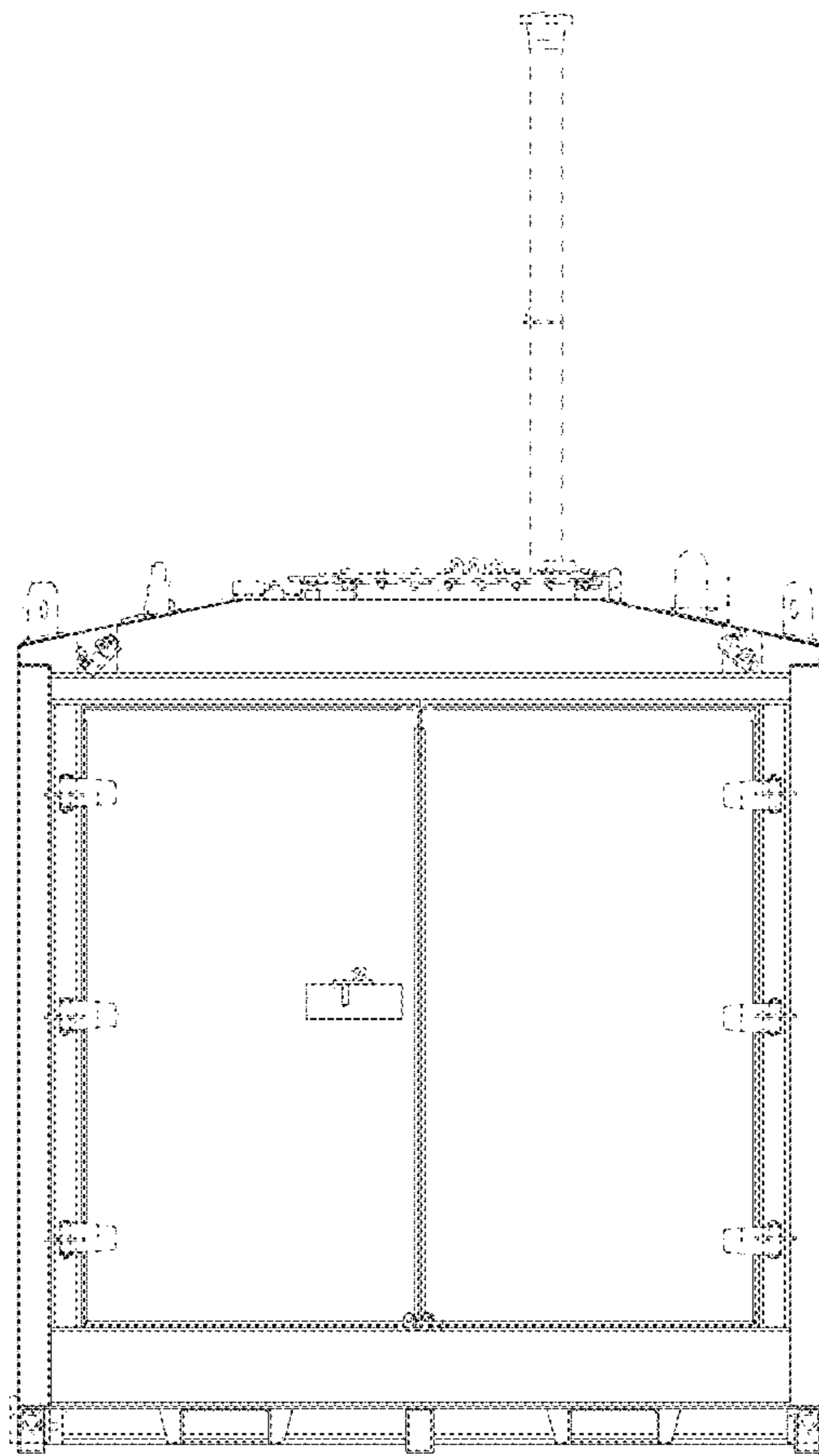


FIG. 2

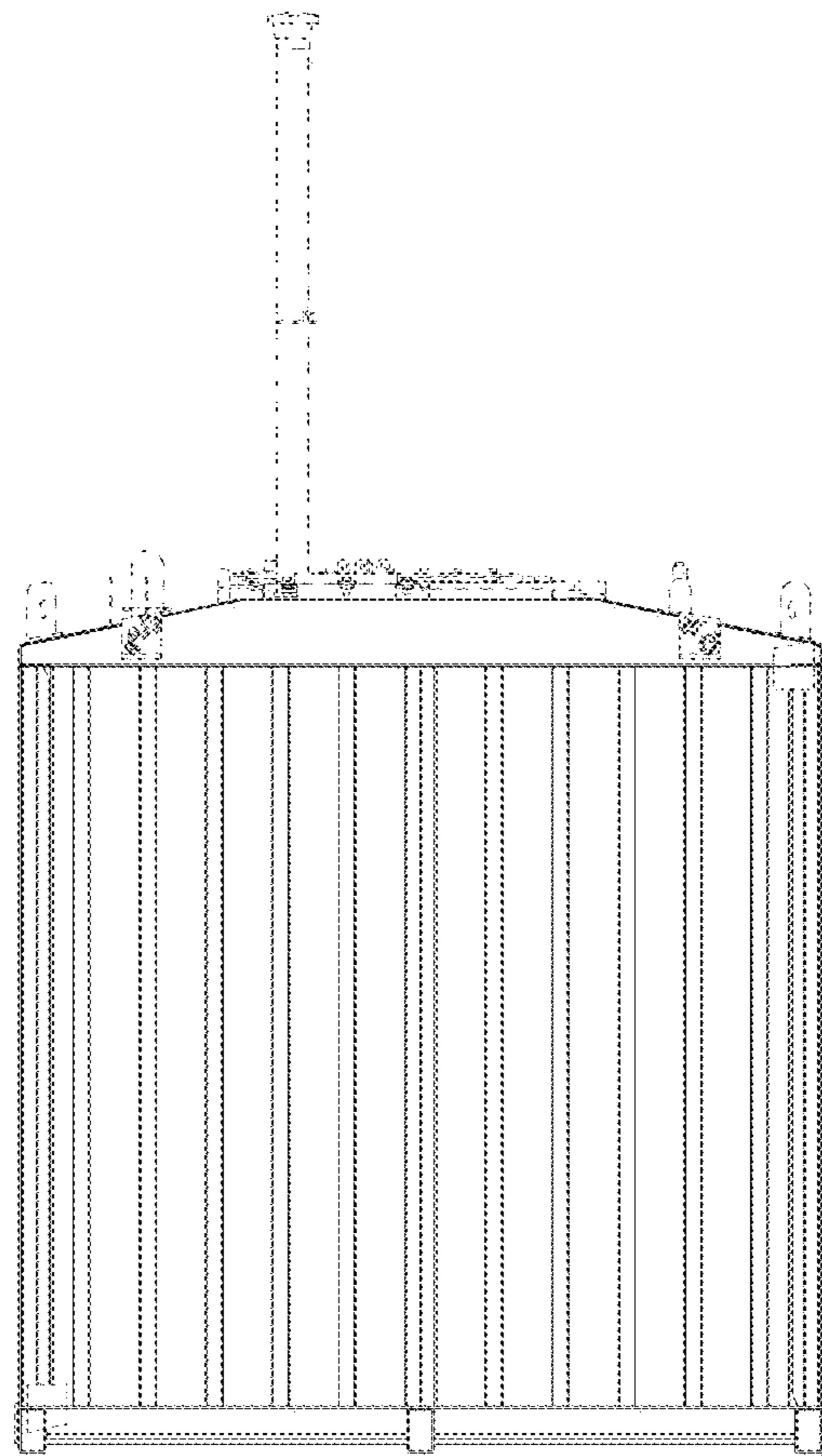


FIG. 3

FIG. 4

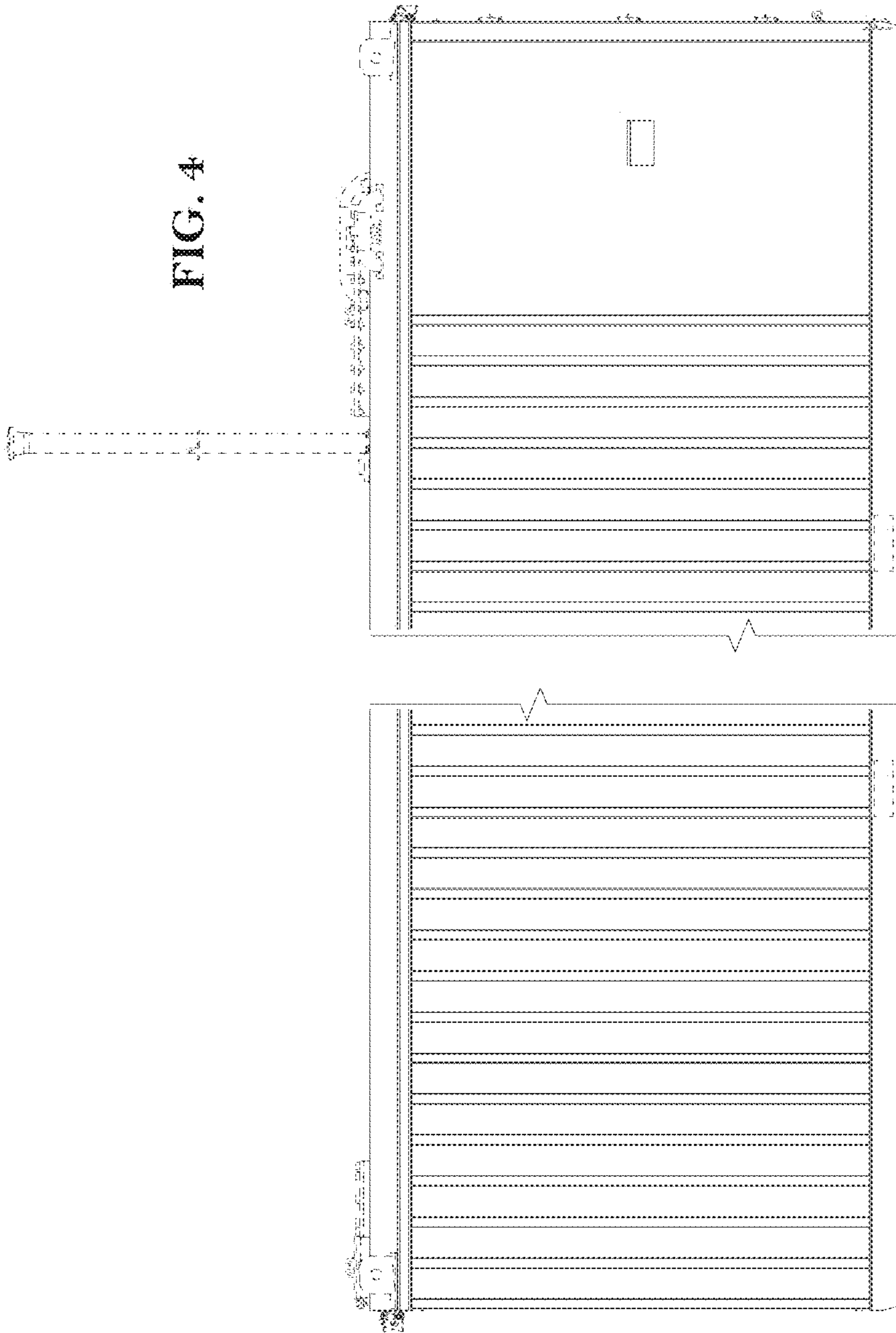
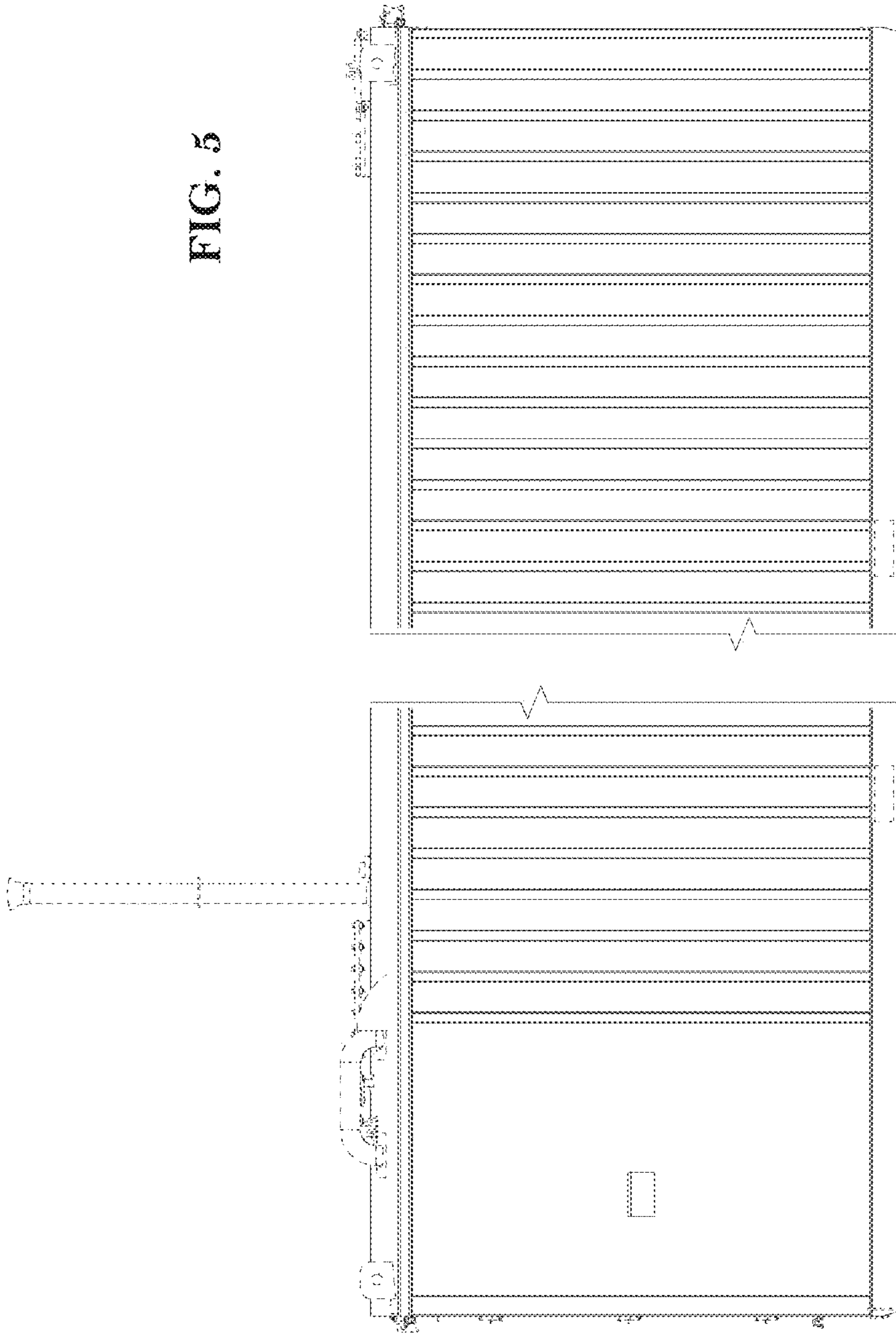


FIG. 5



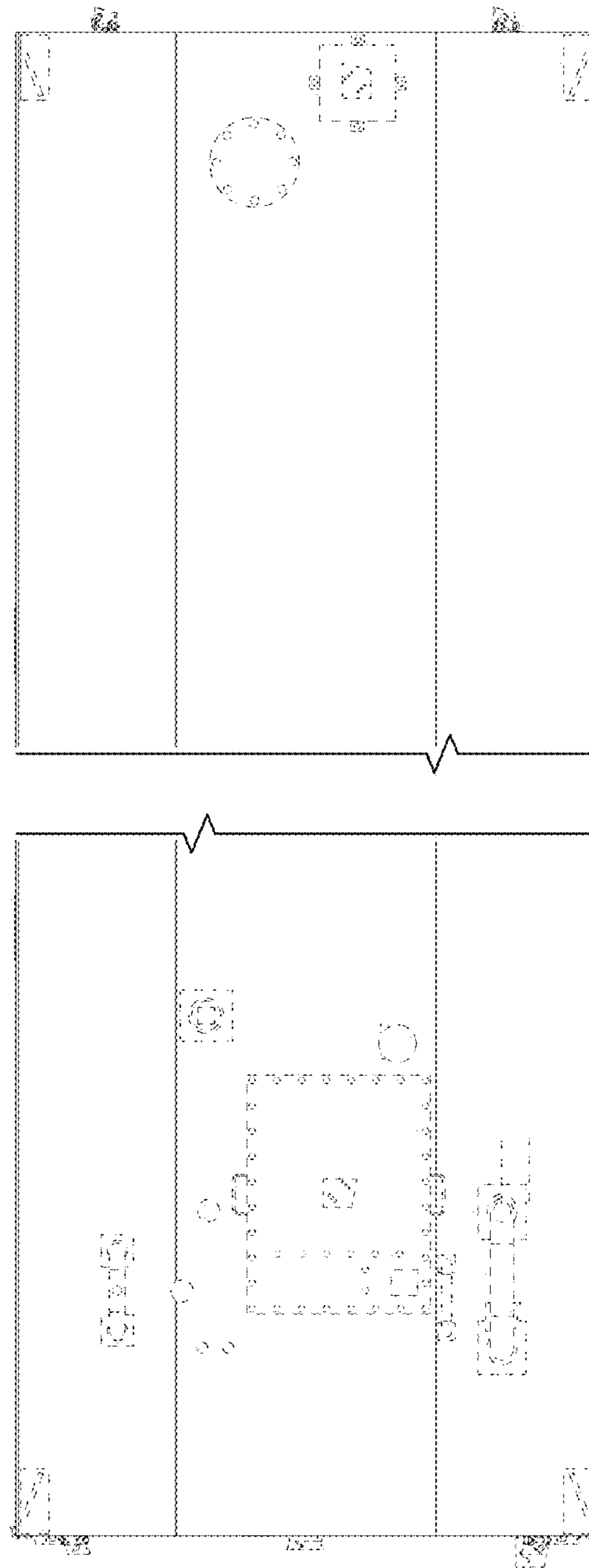


FIG. 6

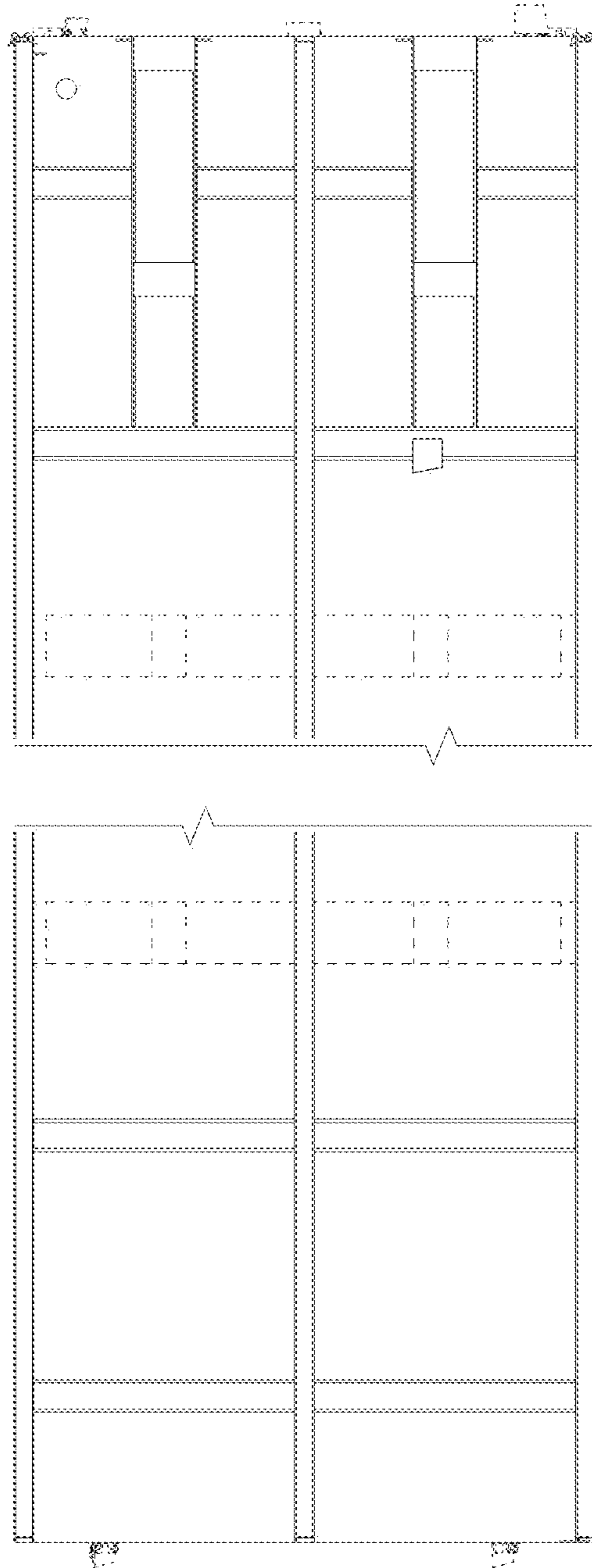


FIG. 7

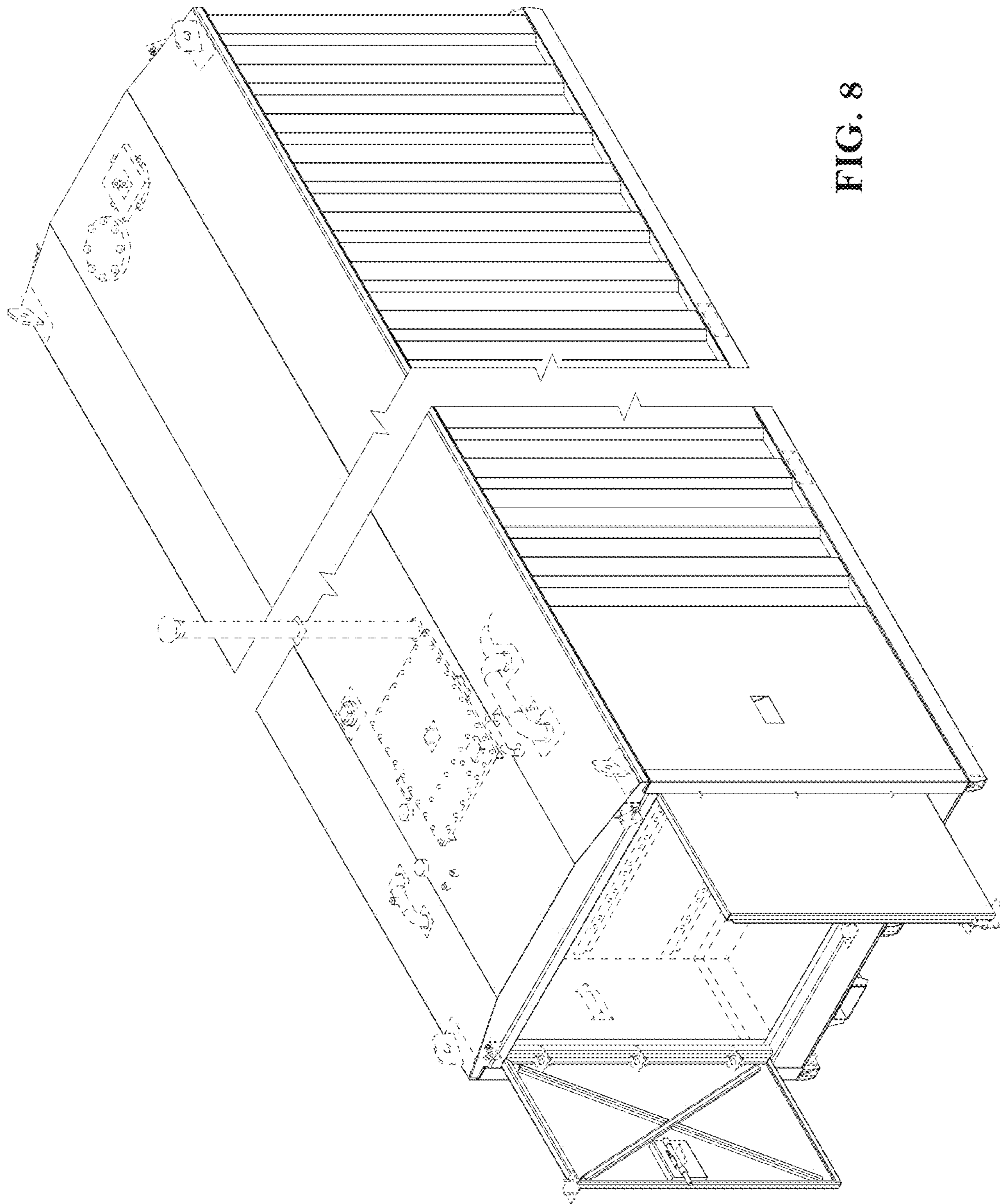


FIG. 8

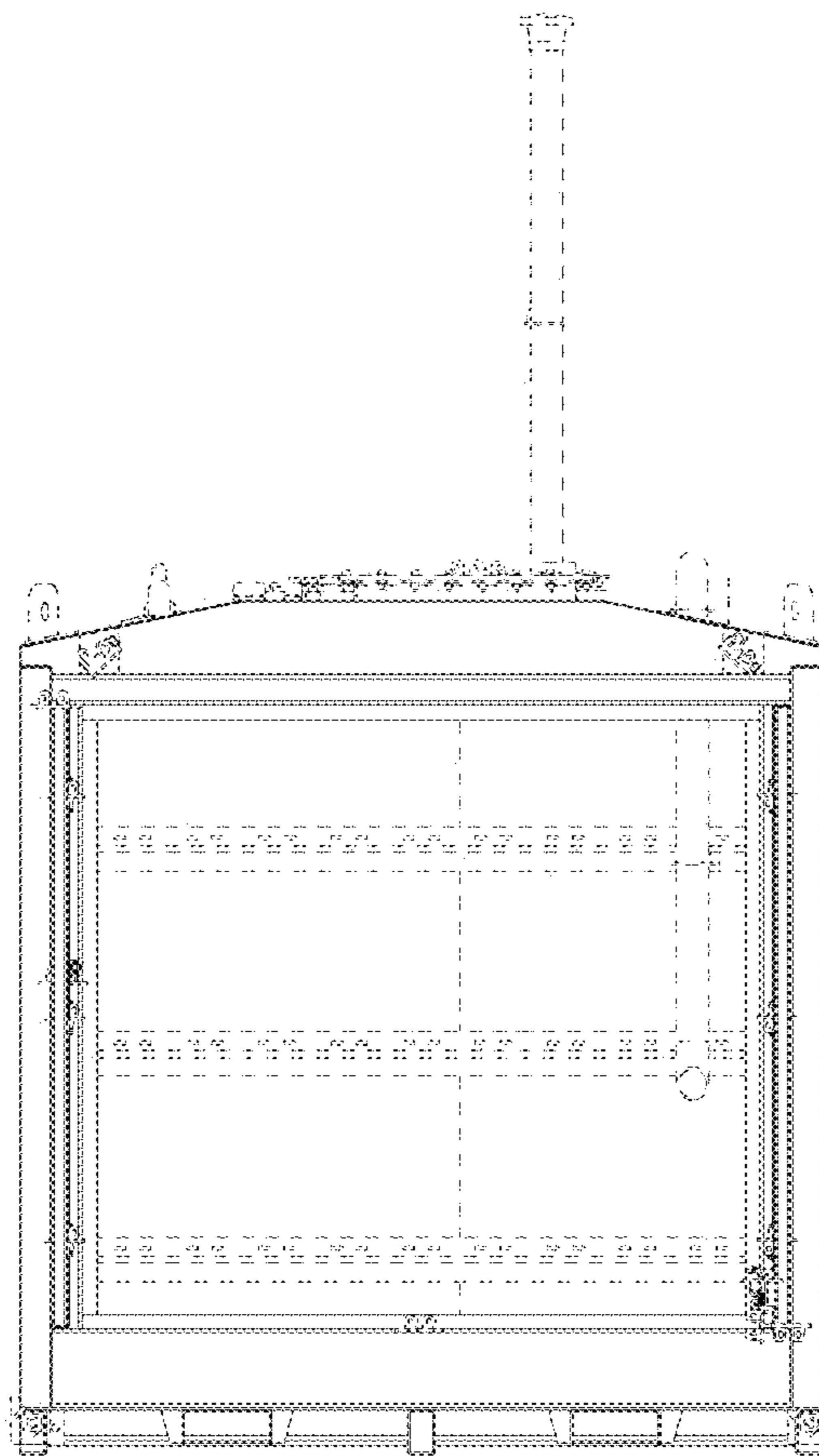


FIG. 9

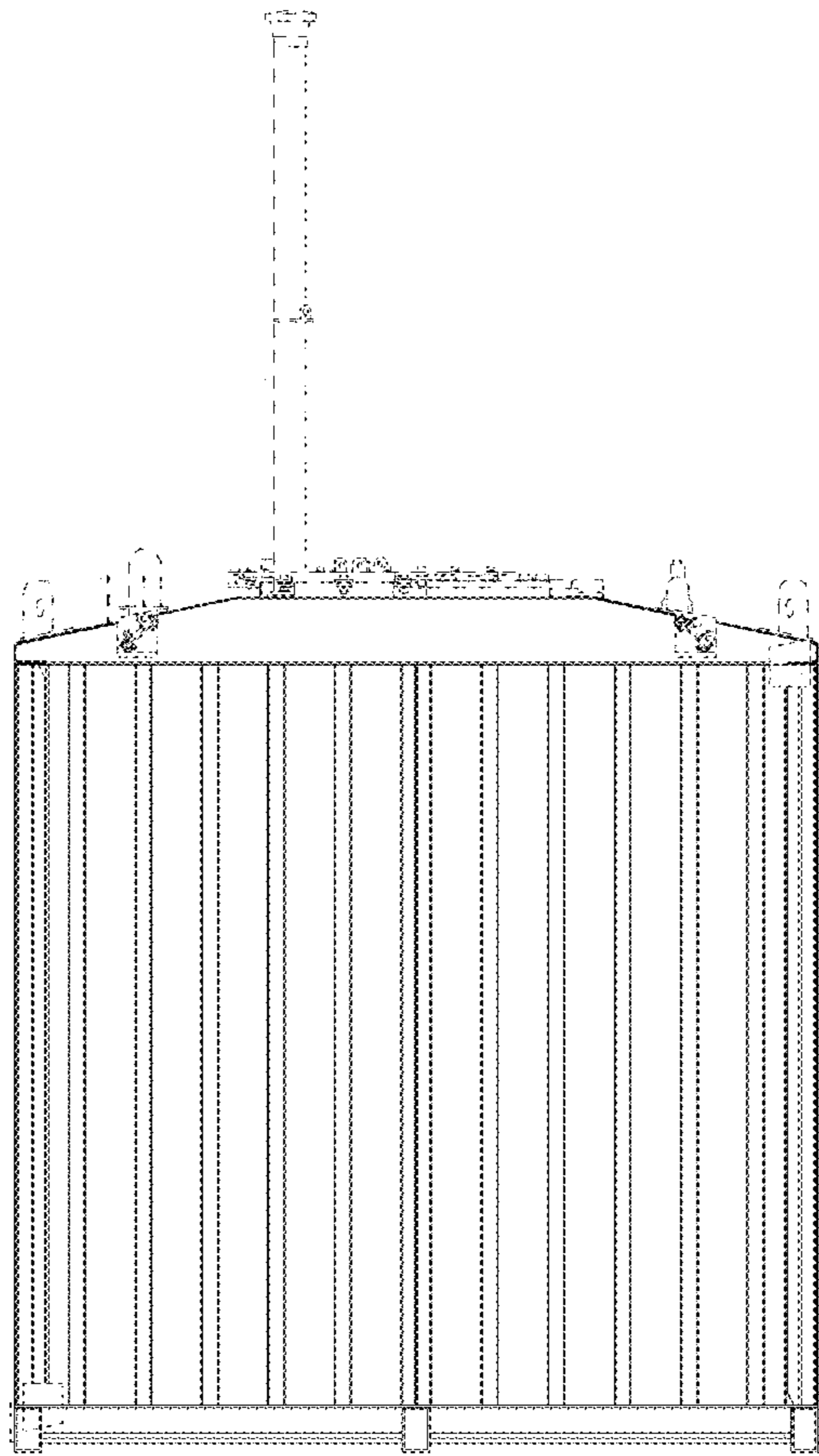


FIG. 10

FIG. 11

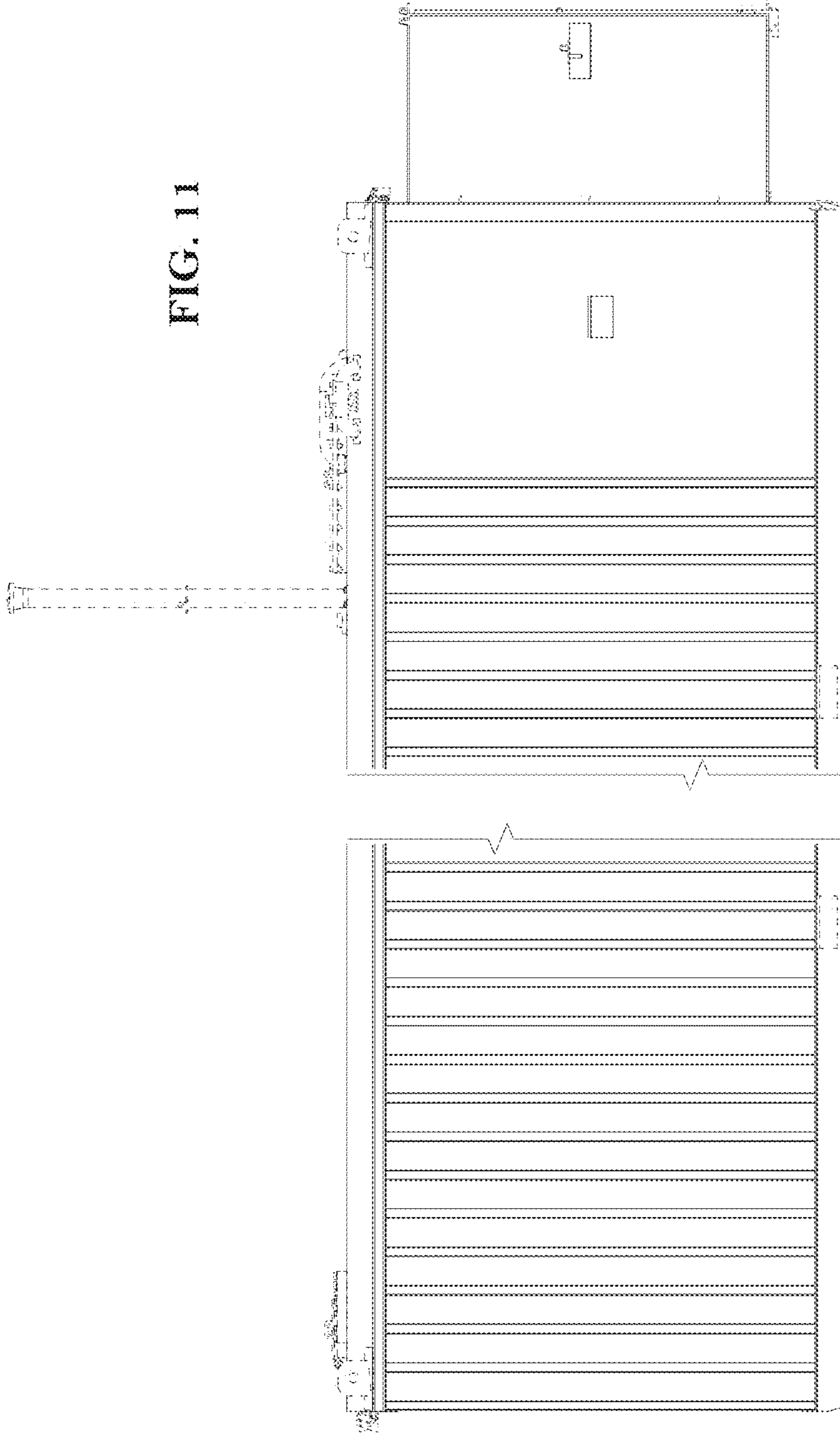
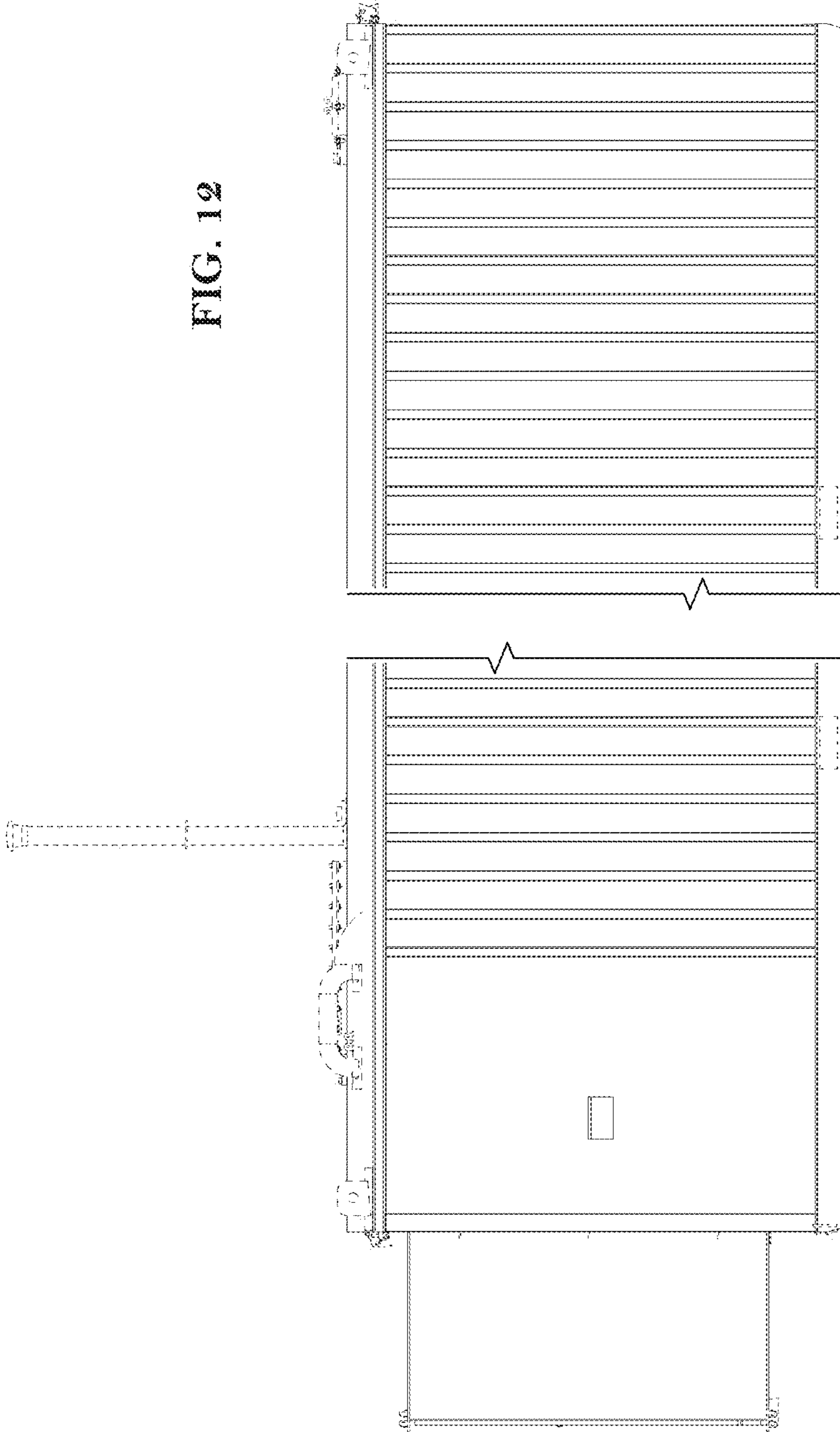


FIG. 12



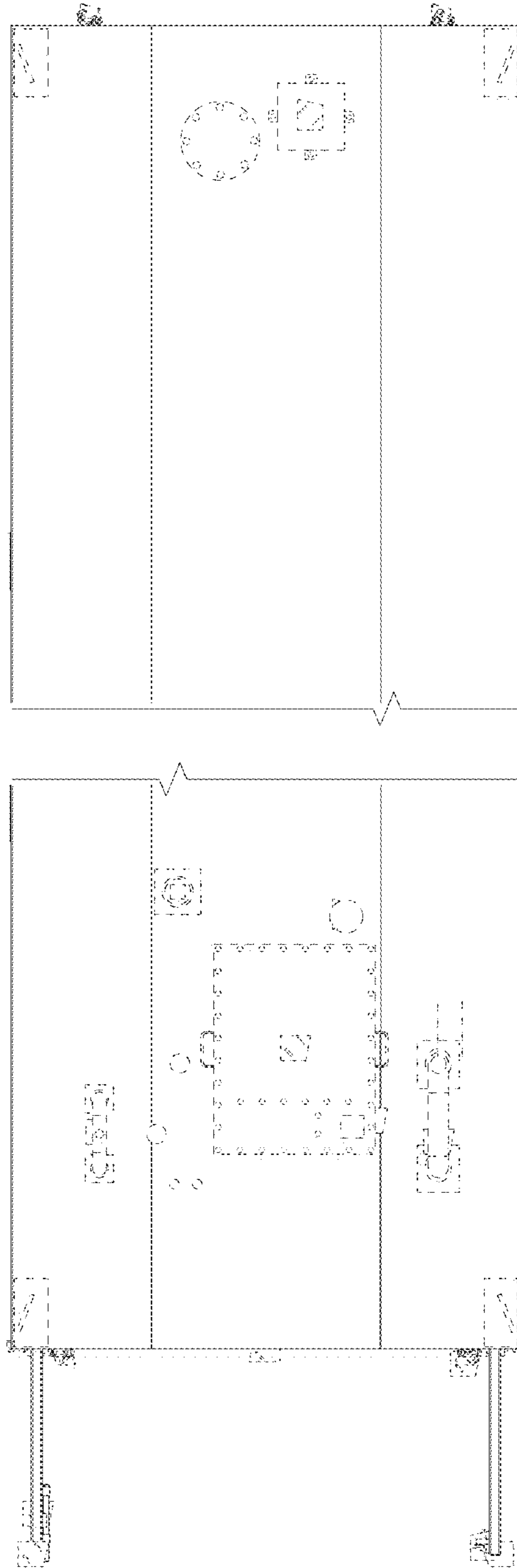


FIG. 13

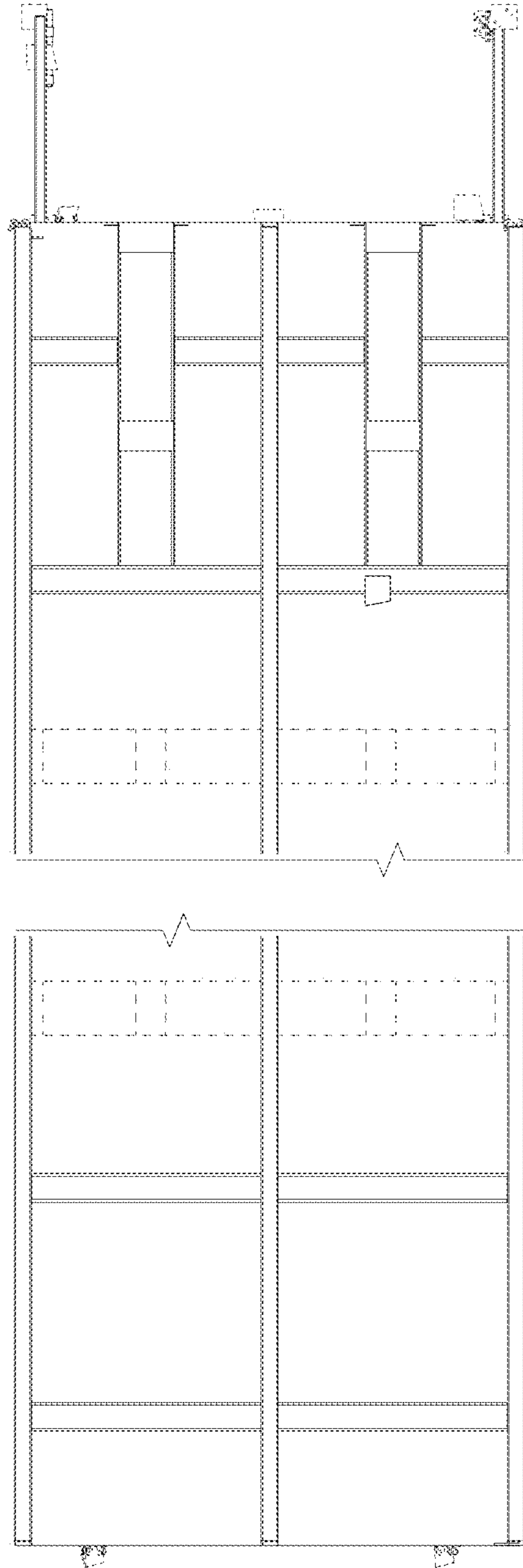


FIG. 14