



US00D875205S

(12) **United States Design Patent** (10) **Patent No.:** **US D875,205 S**
Takezawa et al. (45) **Date of Patent:** **** Feb. 11, 2020**

(54) **FILLING NOZZLE**

(71) Applicant: **TATSUNO CORPORATION**, Tokyo (JP)

(72) Inventors: **Masahiro Takezawa**, Tokyo (JP); **Makoto Arai**, Tokyo (JP); **Takeshi Ozeki**, Tokyo (JP); **Norikazu Osawa**, Tokyo (JP)

(73) Assignee: **TATSUNO CORPORATION**, Tokyo (JP)

(**) Term: **15 Years**

(21) Appl. No.: **29/651,487**

(22) Filed: **Aug. 17, 2018**

(51) **LOC (12) Cl.** **23-01**

(52) **U.S. Cl.**
USPC **D23/201**

(58) **Field of Classification Search**
USPC D23/213, 214, 215, 223, 224, 226, 229, D23/230
CPC .. B05B 1/00; B05B 1/14; B05B 1/185; B05B 1/08; B05B 1/02; B05B 1/26; B05B 12/002; B05B 1/18; B05B 9/01
See application file for complete search history.

(56) **References Cited**

U.S. PATENT DOCUMENTS

D248,041 S *	5/1978	Persson	D23/226
D261,547 S *	10/1981	Parke	D23/223
D372,072 S *	7/1996	Hutcherson	D23/223
D391,349 S *	2/1998	Chih	D23/229
D414,244 S *	9/1999	Hui-Chen	D23/213
D415,554 S *	10/1999	Hui-Chen	D23/213
6,449,975 B1 *	9/2002	Moreno	B60H 3/0007 62/314
D535,721 S *	1/2007	Ford	D23/213
D552,714 S *	10/2007	Lu	D19/174
D725,749 S *	3/2015	Mezzalira	D23/259

D837,933 S *	1/2019	Carroll	D23/213
2014/0239095 A1 *	8/2014	Short	B05B 1/14 239/404
2014/0319246 A1 *	10/2014	Lehmann	B05B 1/14 239/437

* cited by examiner

Primary Examiner — Manpreet S Matharu

Assistant Examiner — Keith J Wilson

(74) *Attorney, Agent, or Firm* — Stetina Brunda Garred and Brucker; Mark B. Garred

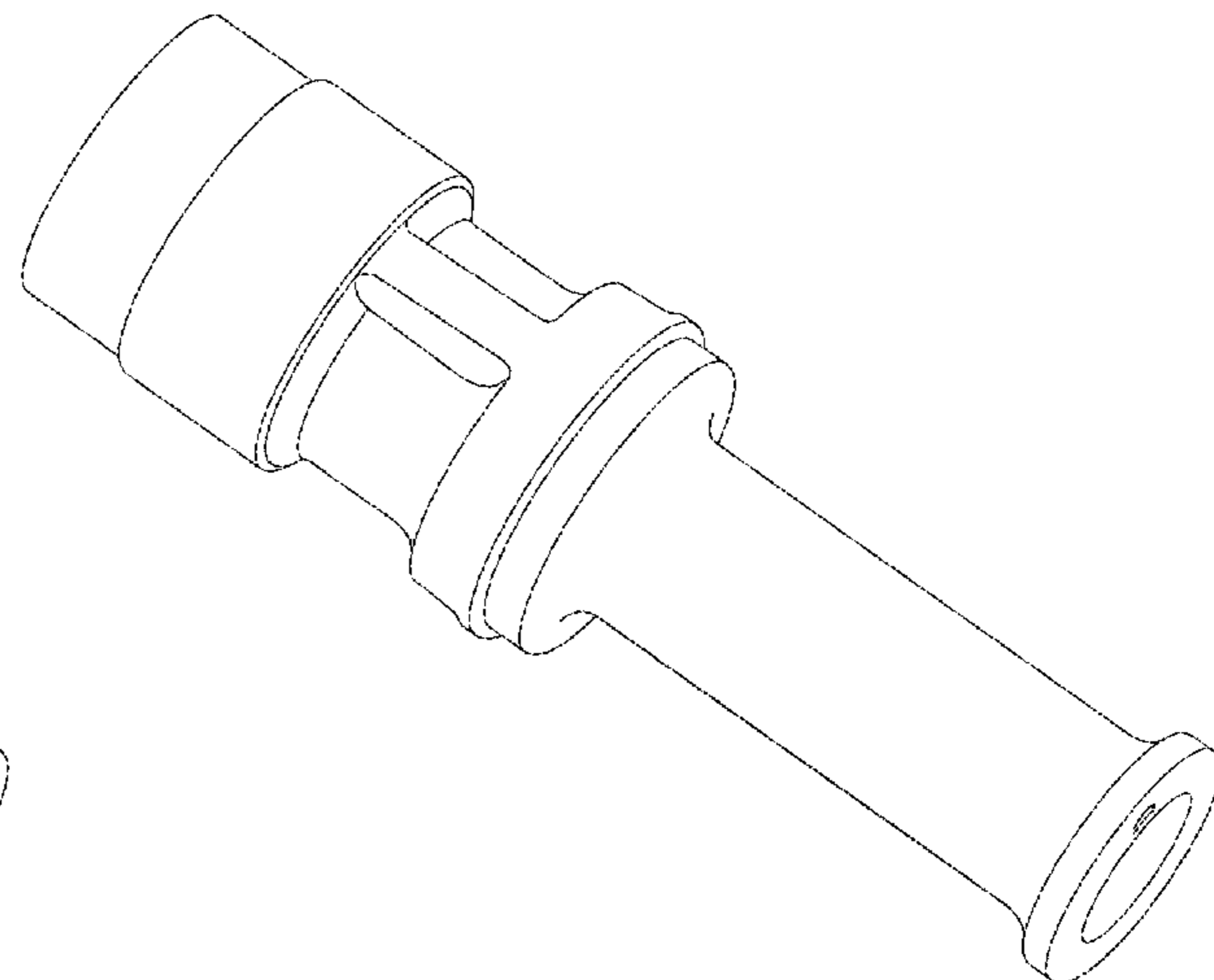
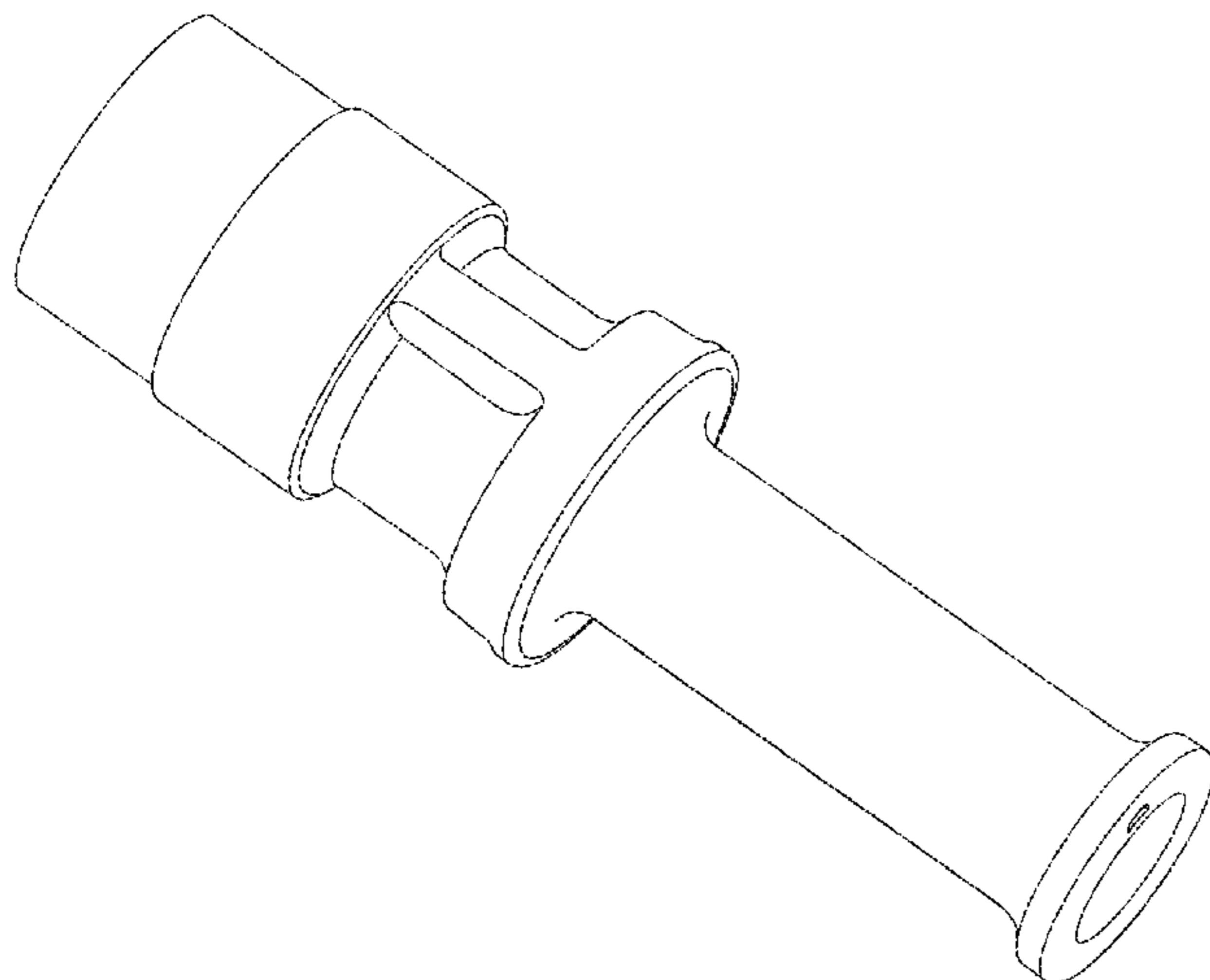
(57) **CLAIM**

The ornamental design for a filling nozzle, as shown and described.

DESCRIPTION

FIG. 1 is a front elevational view of the filling nozzle of the present invention showing our new design;
 FIG. 2 is a right side elevational view thereof;
 FIG. 3 is a left side elevational view thereof;
 FIG. 4 is a top plan view thereof;
 FIG. 5 is a cross-sectional view thereof taken along line A-A of FIG. 1;
 FIG. 6 is a cross-sectional view thereof taken along line B-B of FIG. 1;
 FIG. 7 is a cross-sectional view thereof taken along line C-C of FIG. 1;
 FIG. 8 is a cross-sectional view thereof taken along line D-D of FIG. 3;
 FIG. 9 is a cross-sectional view thereof taken along line A-A of FIG. 1;
 FIG. 10 is a perspective view thereof; and,
 FIG. 11 is a perspective view of an alternative embodiment of the filling nozzle shown in FIGS. 1-10.

1 Claim, 3 Drawing Sheets



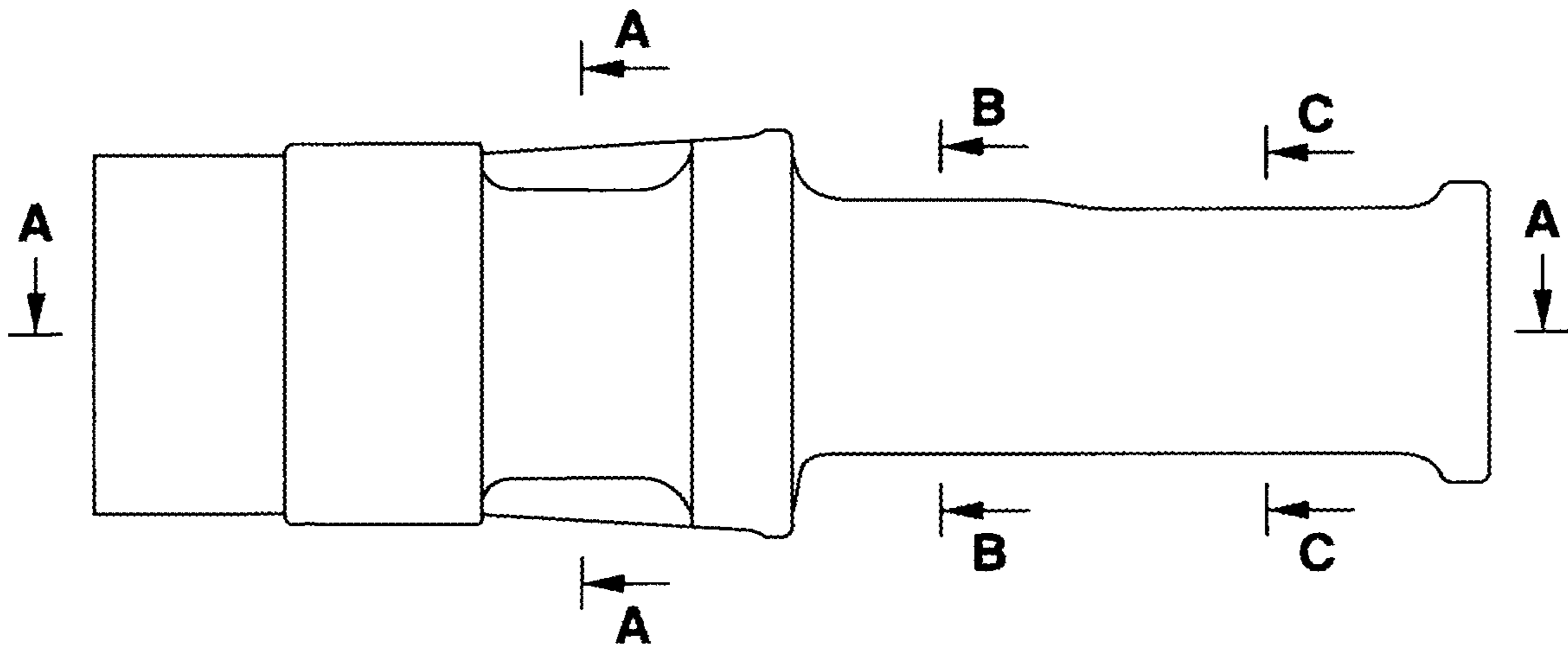


Fig. 1

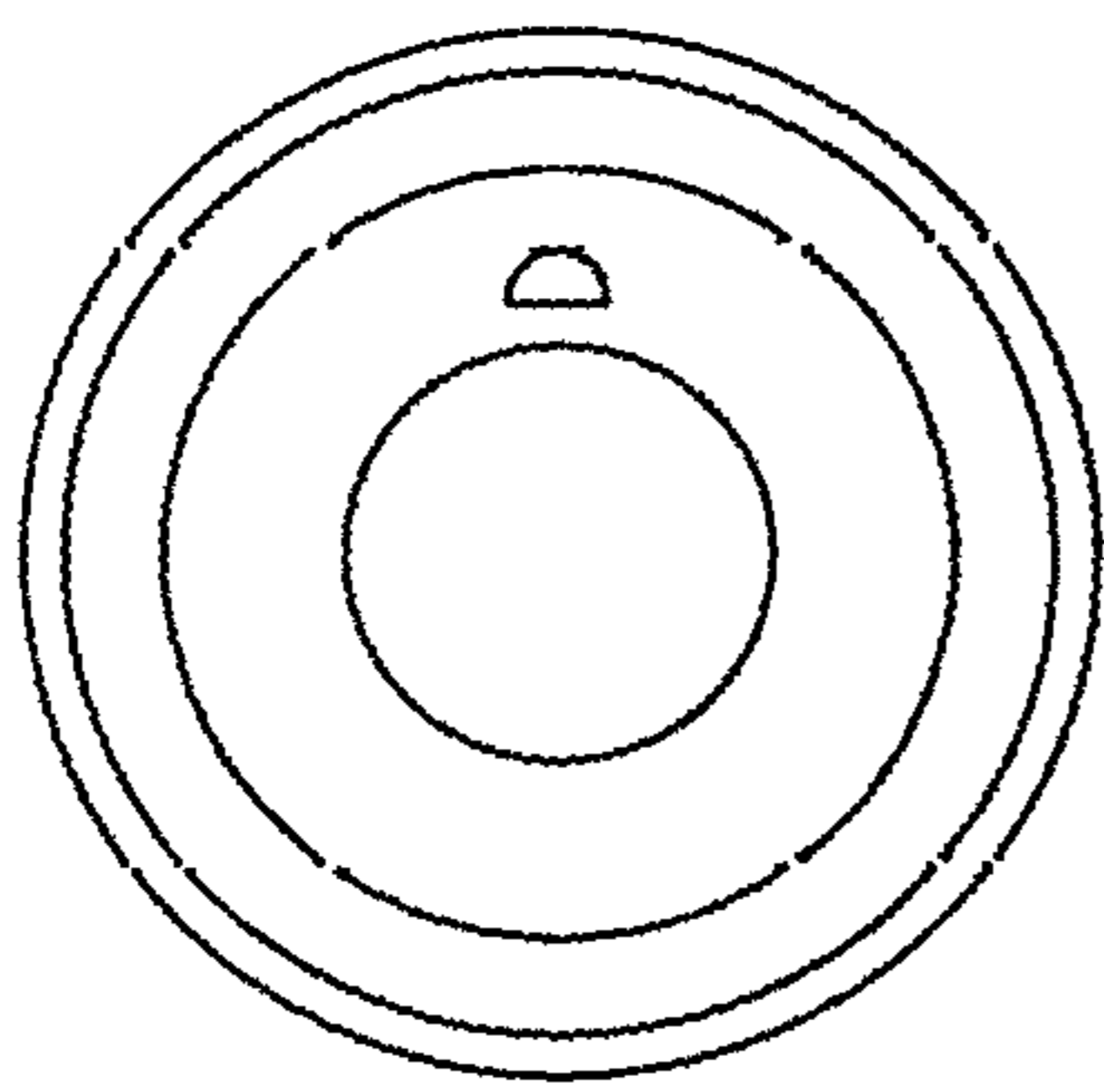


Fig. 2

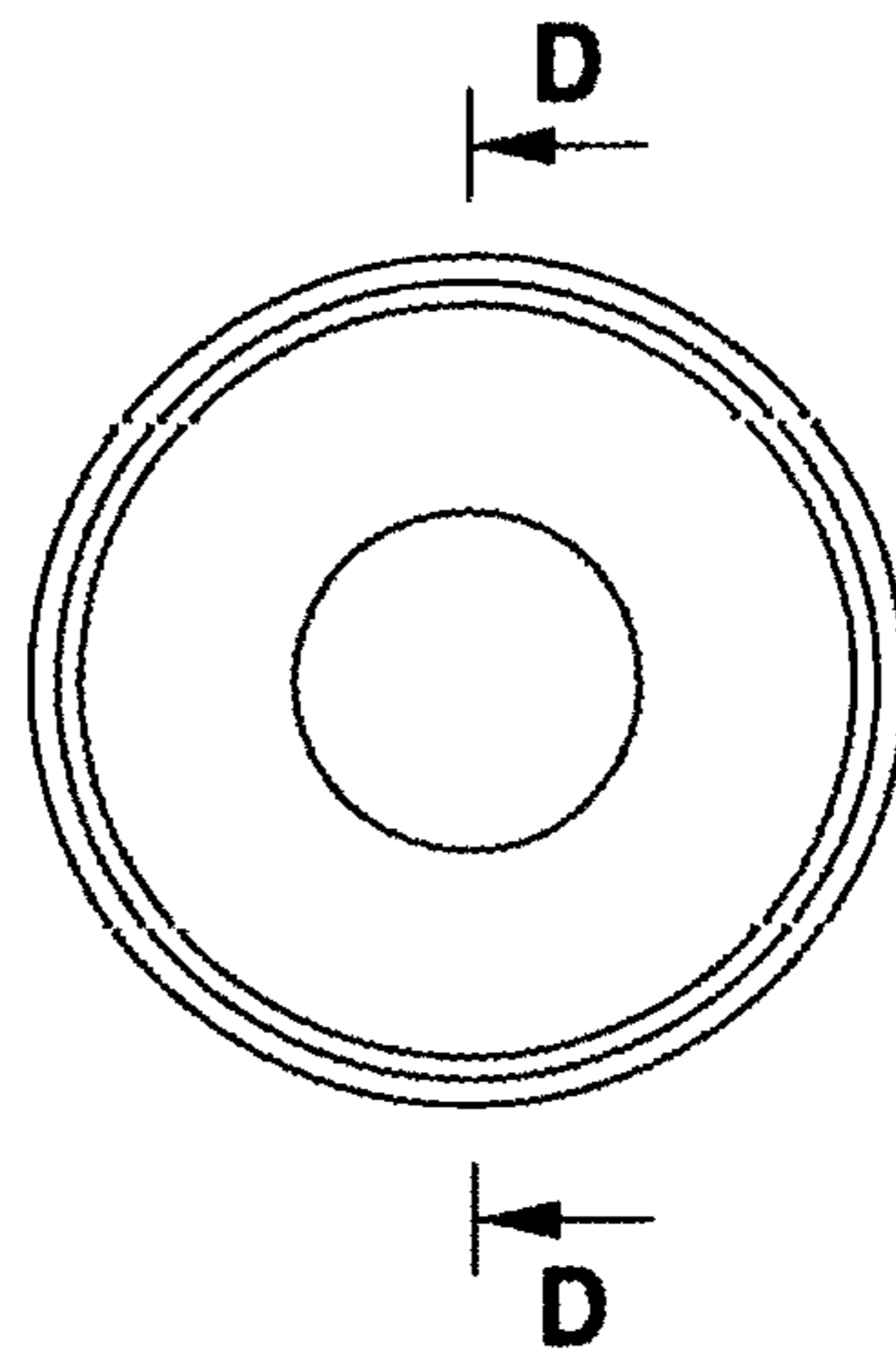


Fig. 3

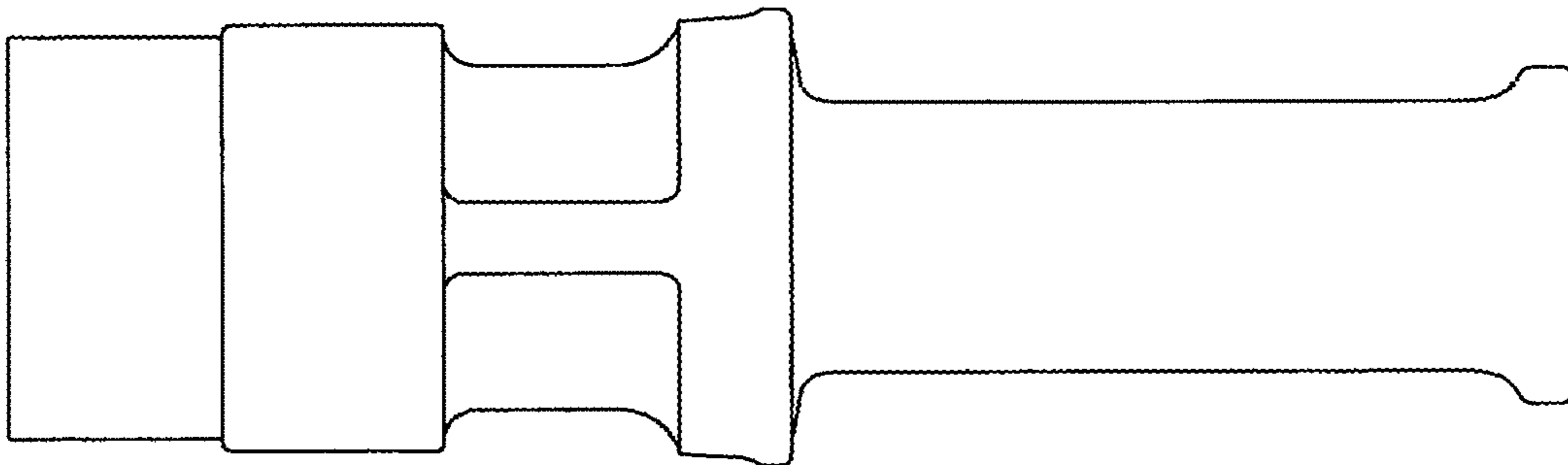


Fig. 4

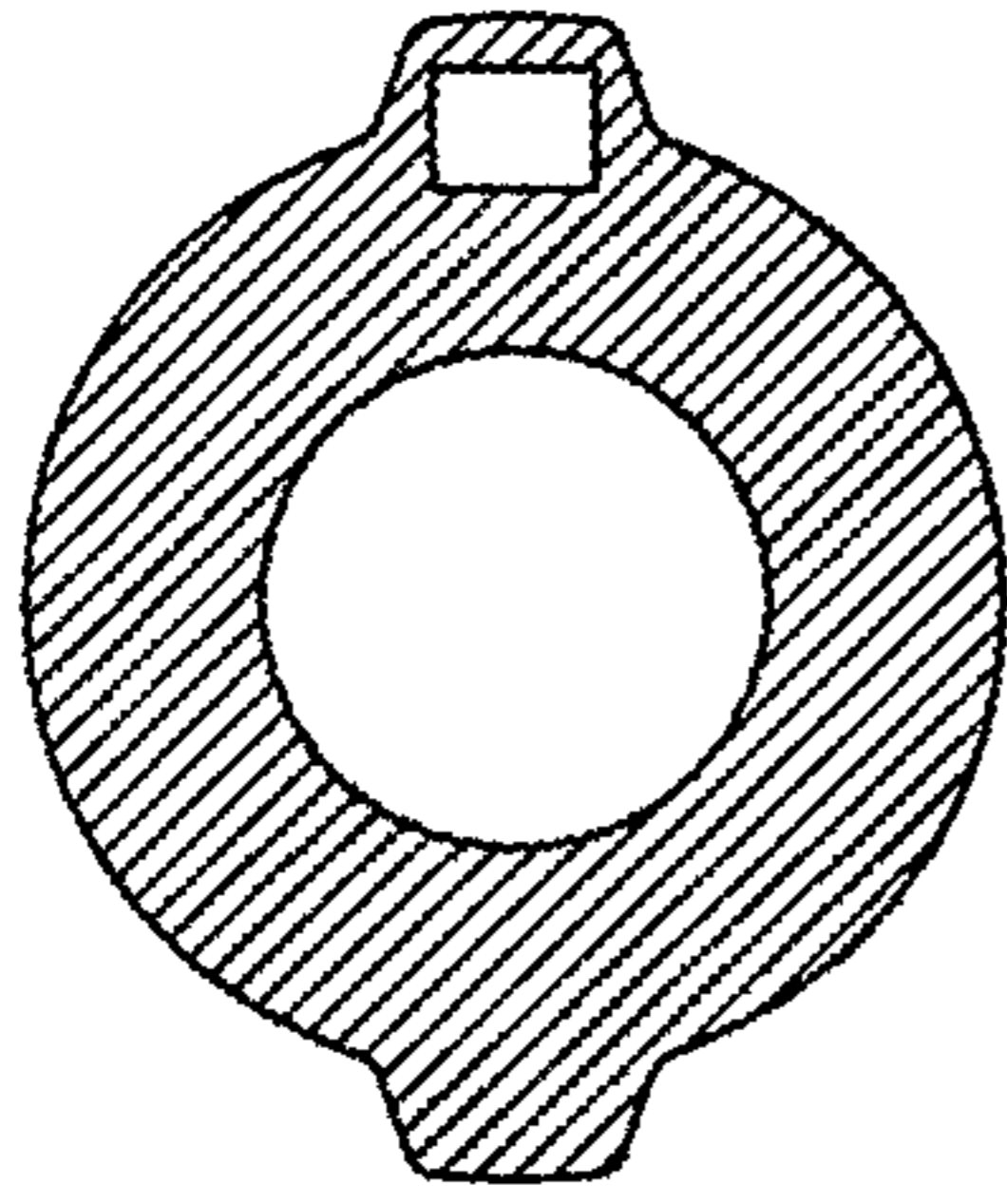


Fig. 5

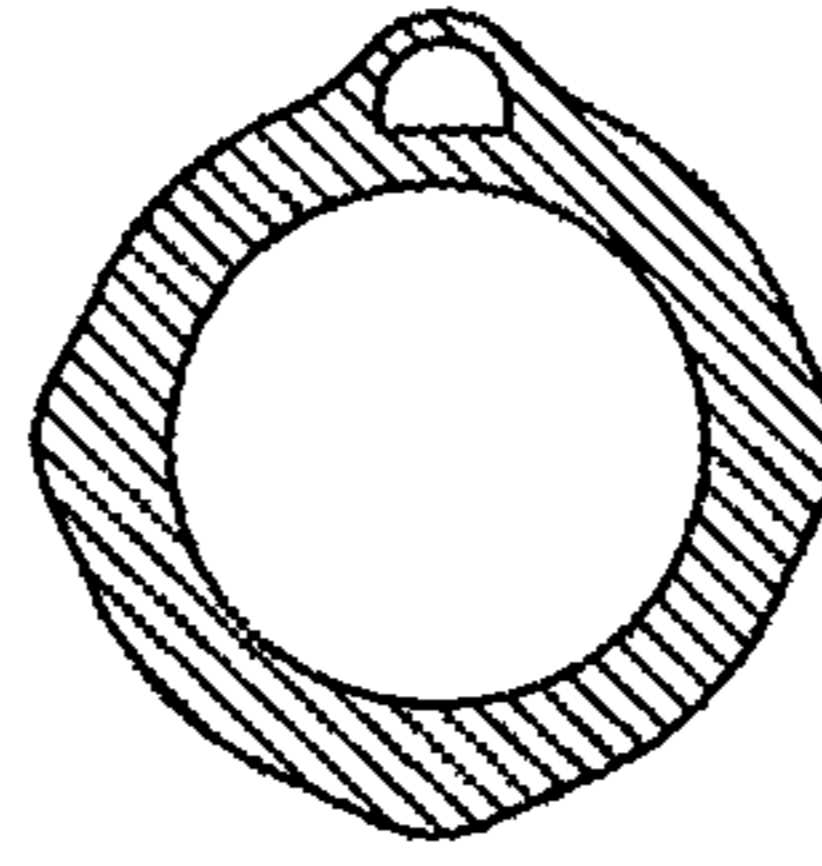


Fig. 6

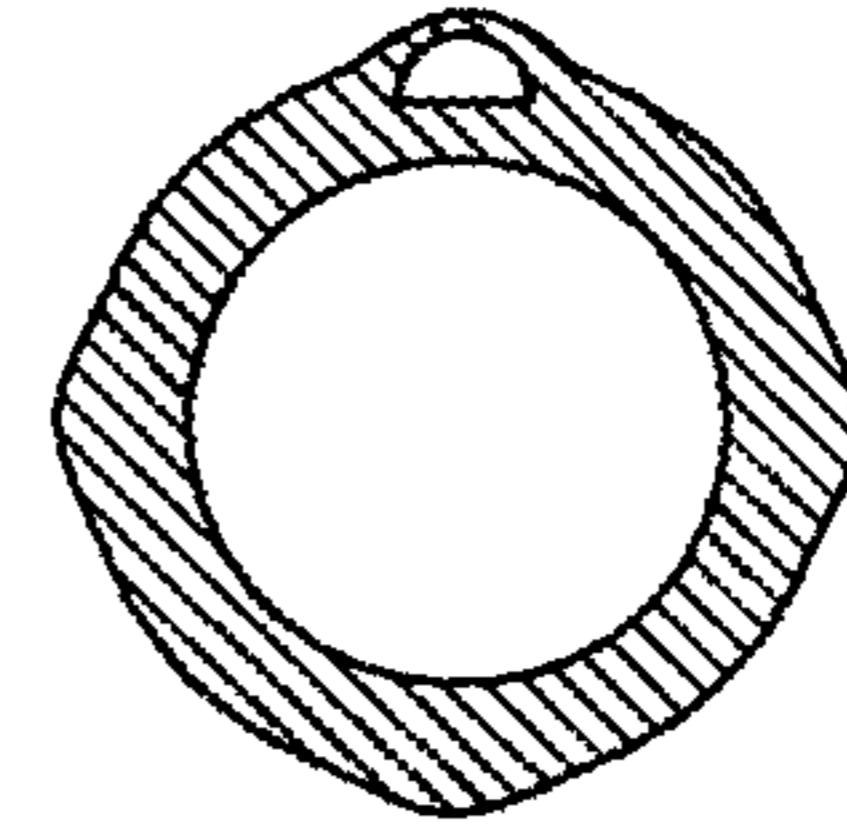


Fig. 7

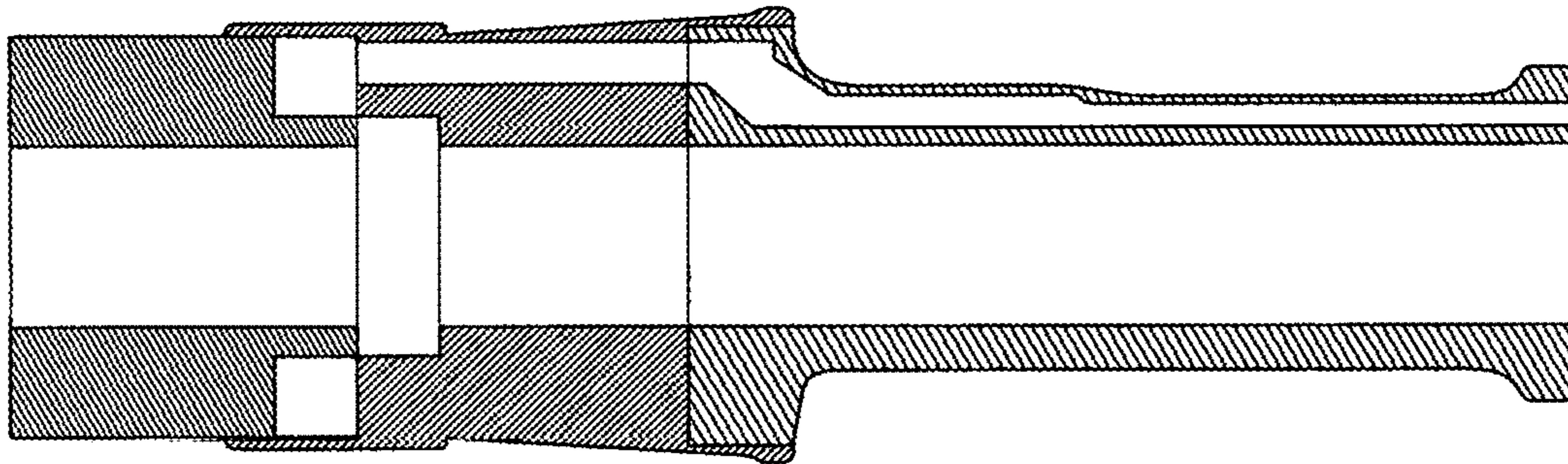


Fig. 8

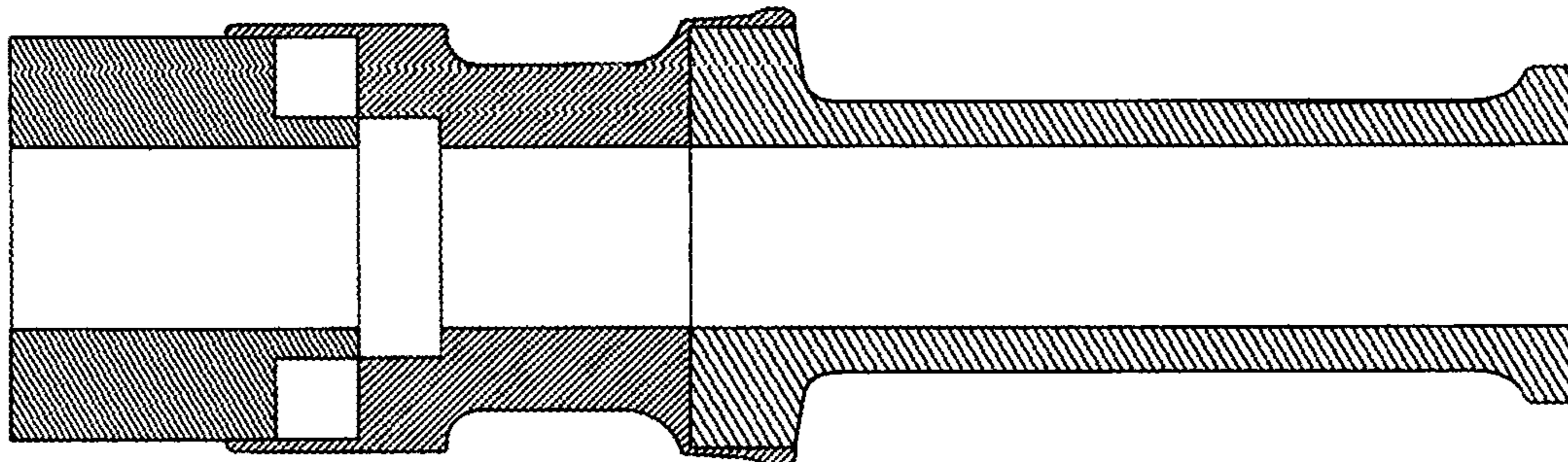


Fig. 9

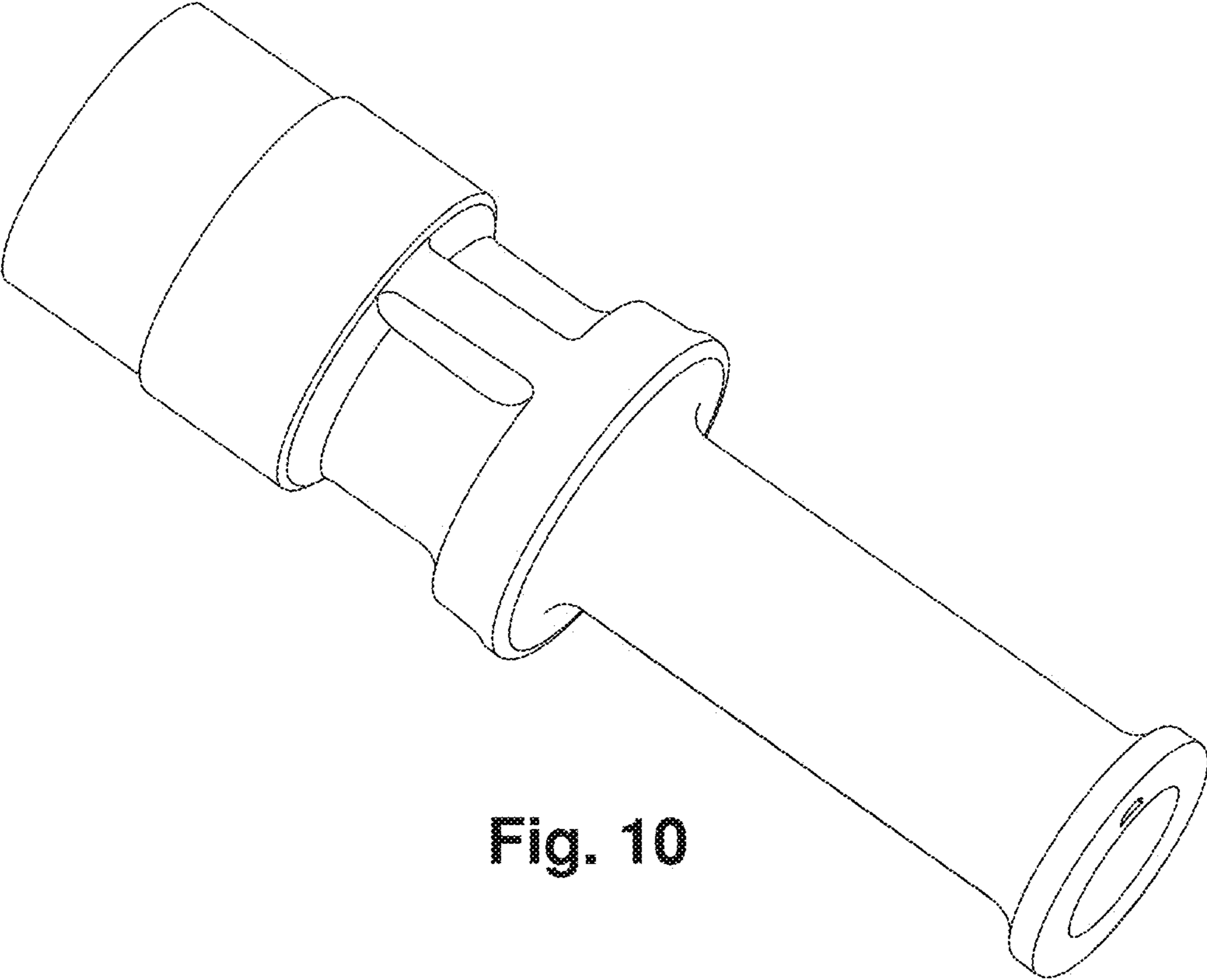


Fig. 10

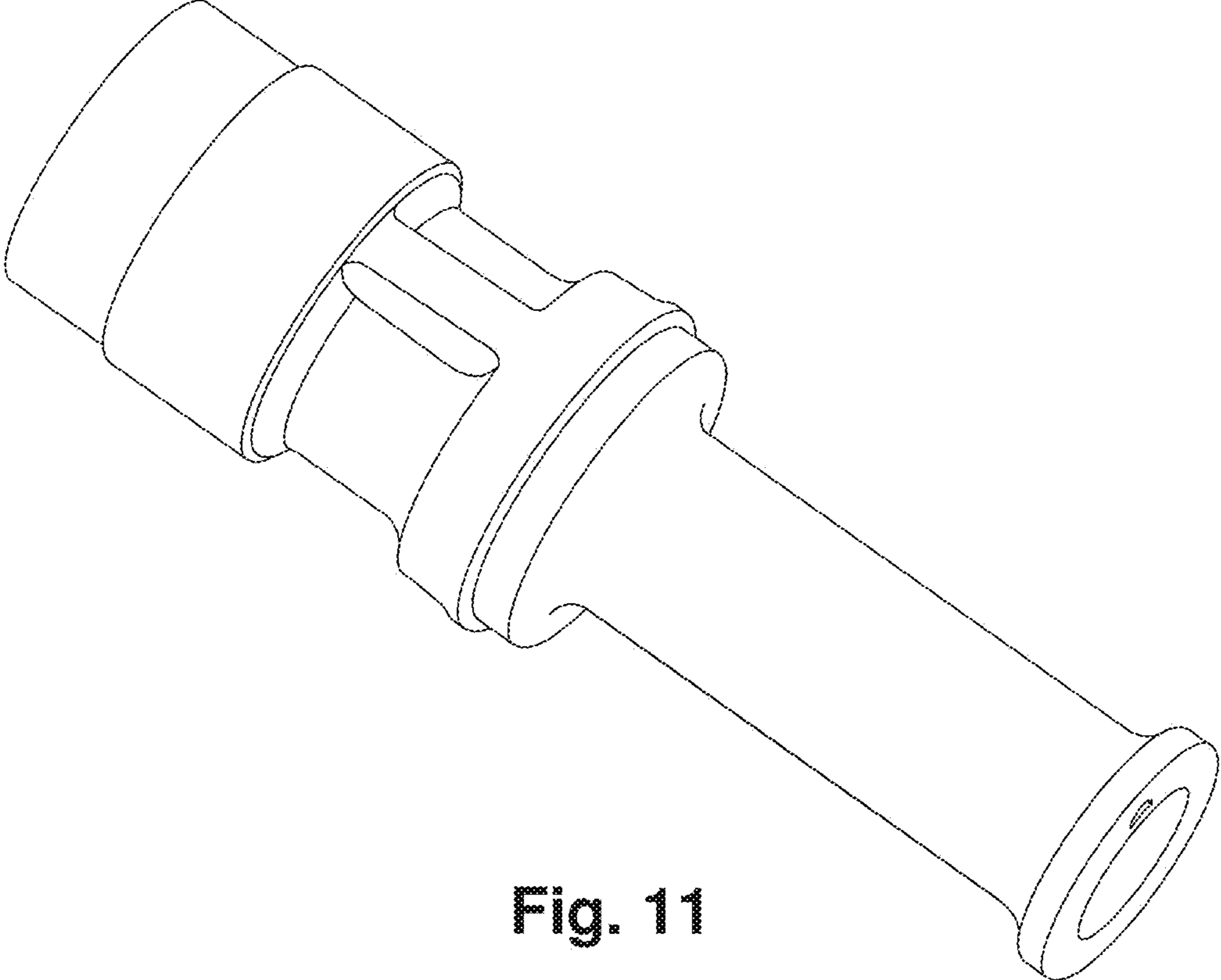


Fig. 11