



US00D875204S

(12) **United States Design Patent**
Naig

(10) **Patent No.:** **US D875,204 S**

(45) **Date of Patent:** **** Feb. 11, 2020**

(54) **GLOW IN THE DARK JIG FISHING LURE WITH A SLOT THAT RECEIVES A GLOW IN THE DARK CARTRIDGE**

(71) Applicant: **Eric Naig**, Bemidji, MN (US)

(72) Inventor: **Eric Naig**, Bemidji, MN (US)

(73) Assignee: **BIG FISH AMERICA LLC**, Bemidji, MN (US)

(**) Term: **15 Years**

(21) Appl. No.: **29/660,462**

(22) Filed: **Aug. 21, 2018**

(51) **LOC (12) Cl.** **22-05**

(52) **U.S. Cl.**
USPC **D22/144**

(58) **Field of Classification Search**
USPC D22/144, 126-133; 43/17.6, 42.19, 43/42.31, 44.9, 43.41, 42.05, 42.06, 42.36
CPC A01K 85/00; A01K 85/01
See application file for complete search history.

(56) **References Cited**

U.S. PATENT DOCUMENTS

3,040,462	A *	6/1962	Guida	A01K 85/01 43/17.6
3,175,324	A *	3/1965	Blackwell	A01K 85/14 43/42.03
4,610,103	A *	9/1986	Steinman	A01K 85/01 43/17.6
4,777,756	A *	10/1988	Mattison	A01K 69/06 43/17.6
4,823,497	A *	4/1989	Pierce	A01K 85/01 43/17.6
6,079,146	A *	6/2000	Larsen	A01K 85/01 43/42.06

6,668,482	B1 *	12/2003	Ruffin	A01K 85/01 43/42.06
8,931,204	B1 *	1/2015	Thomson	A01K 85/01 43/17.6
9,691,309	B2	6/2017	Ashby	
2004/0244265	A1 *	12/2004	Miyata	A01K 85/01 43/17.6
2007/0062094	A1 *	3/2007	Senter	A01K 85/00 43/17.6

* cited by examiner

Primary Examiner — Catherine R Oliver-Garcia
(74) *Attorney, Agent, or Firm* — Christopher A. Proskey;
BrownWinick Law Firm

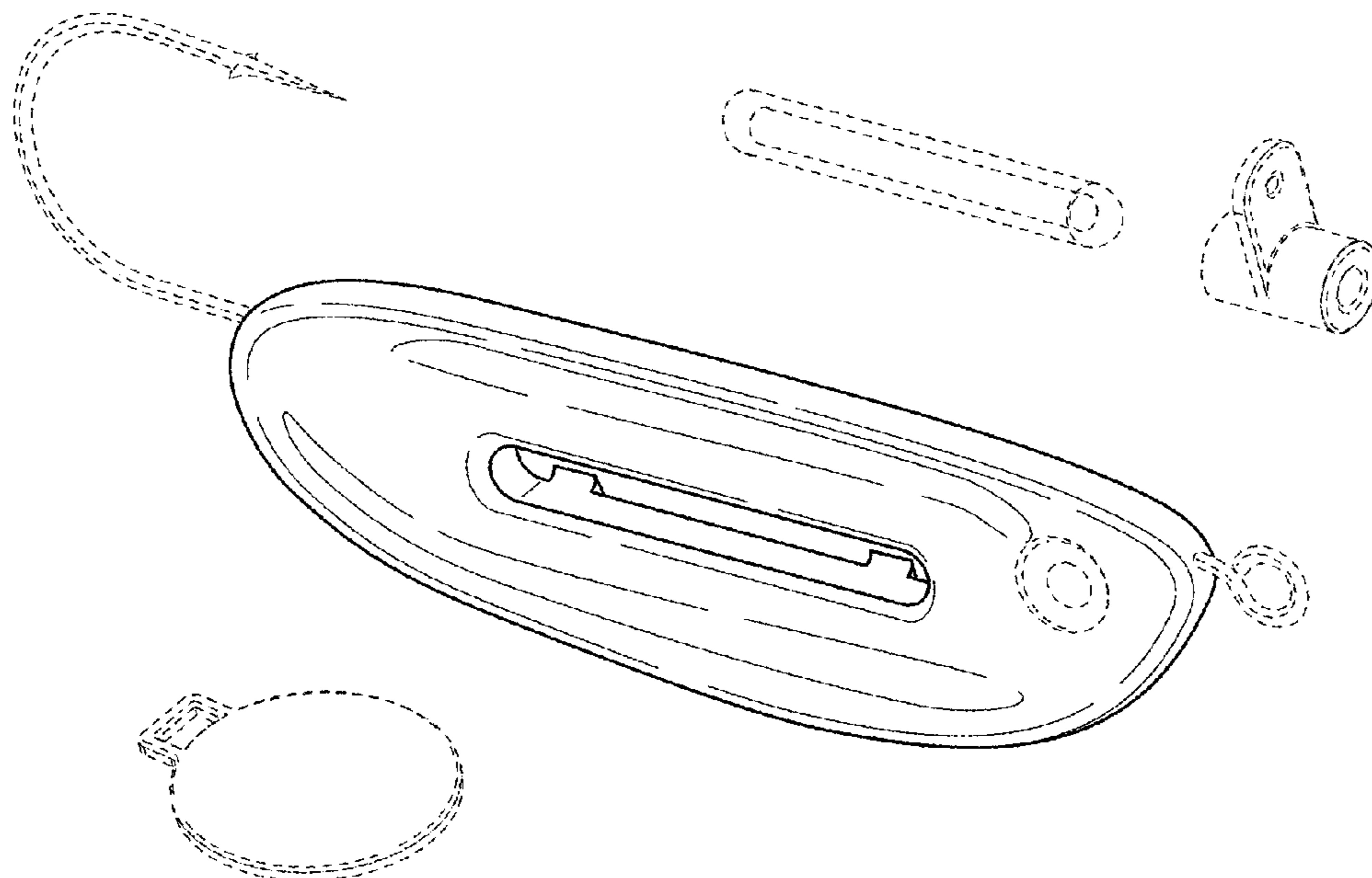
(57) **CLAIM**

The ornamental design for a glow in the dark jig fishing lure with a slot that receives a glow in the dark cartridge, as shown and described.

DESCRIPTION

FIG. 1 is a top, front and side perspective view of the glow in the dark jig fishing lure with a slot that receives a glow in the dark cartridge;
FIG. 2 is a front elevation view thereof;
FIG. 3 is a rear elevation view thereof;
FIG. 4 is a right side elevation view thereof;
FIG. 5 is a left side elevation view thereof;
FIG. 6 is a top plan view thereof;
FIG. 7 is a bottom plan view thereof;
FIG. 8 is a top, rear and side view thereof;
FIG. 9 is a bottom, rear and side view thereof;
FIG. 10 is a top, rear and side perspective view thereof; and,
FIG. 11 is a bottom, rear and side perspective view thereof.
The broken lines shown represent the environment and represent unclaimed subject matter and form no part of the claimed design.

1 Claim, 11 Drawing Sheets



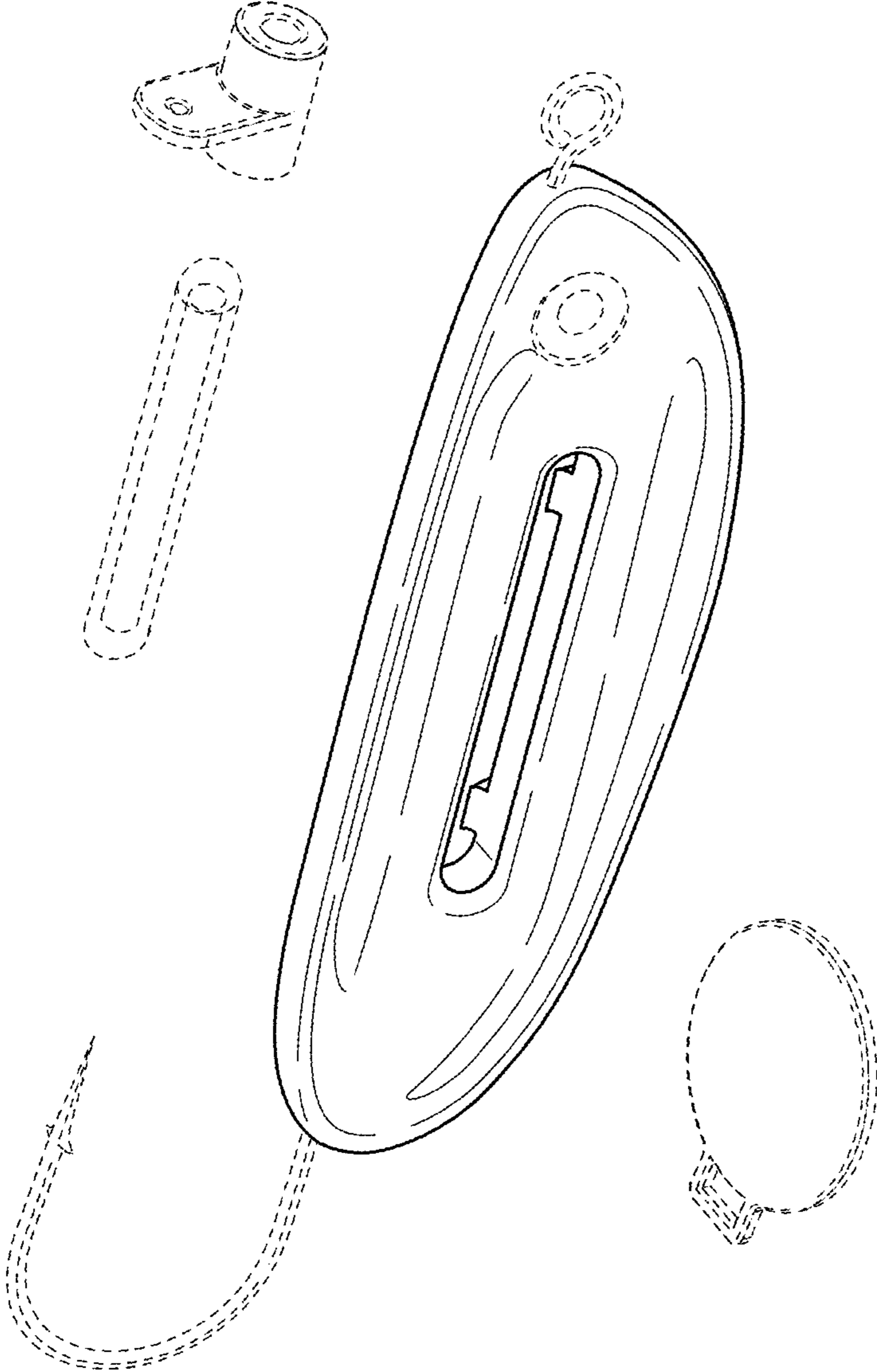


FIG. 1

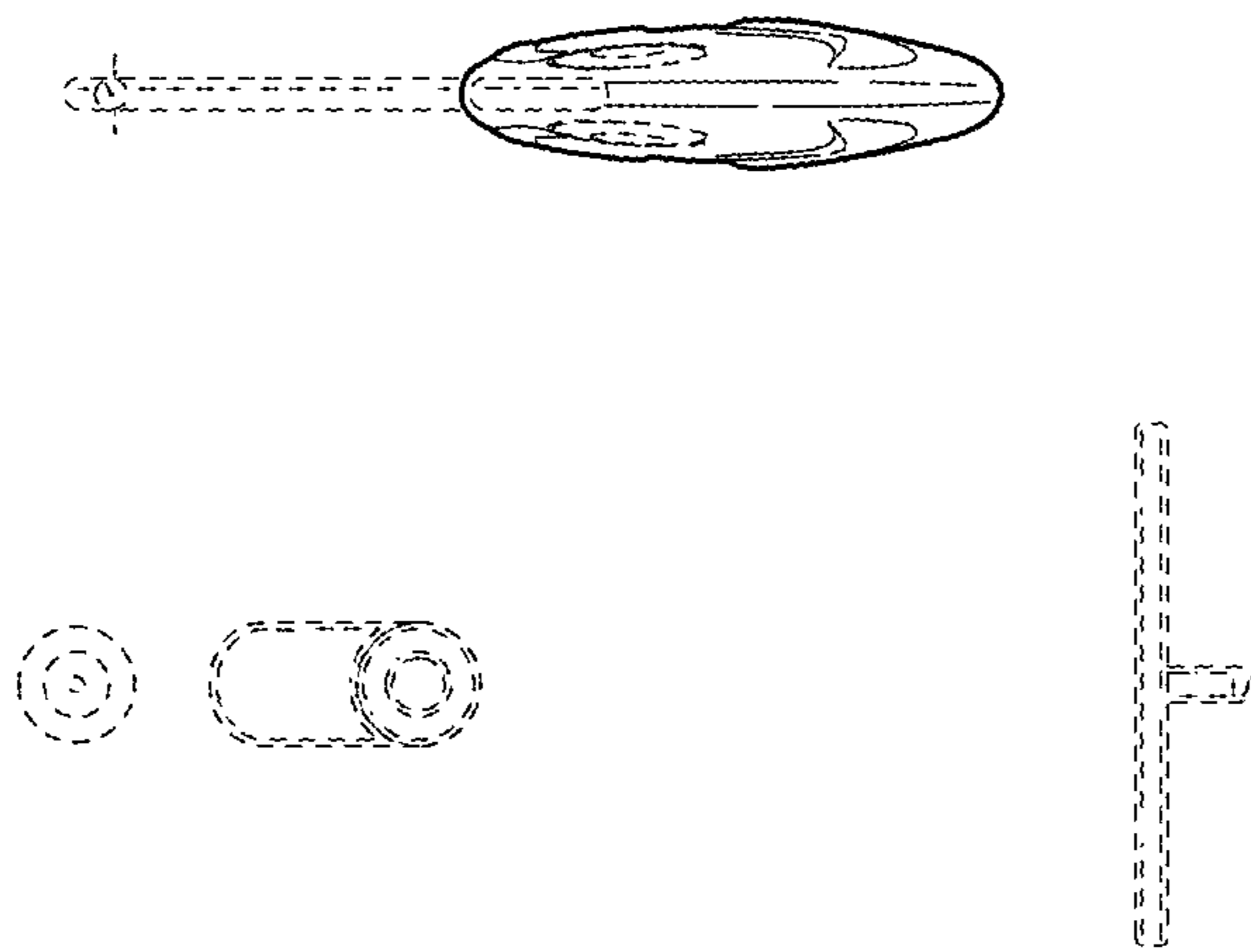


FIG. 2

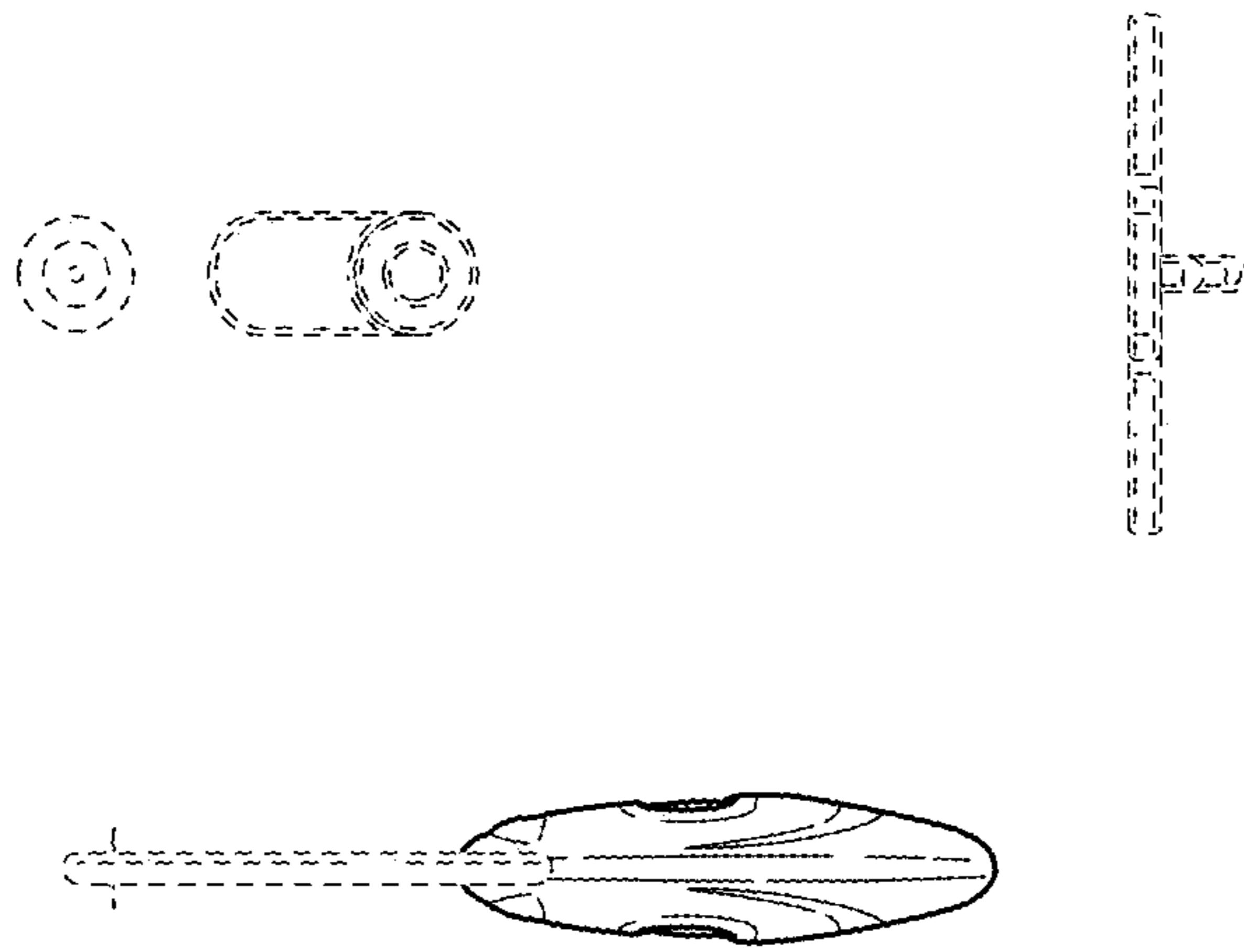


FIG. 3

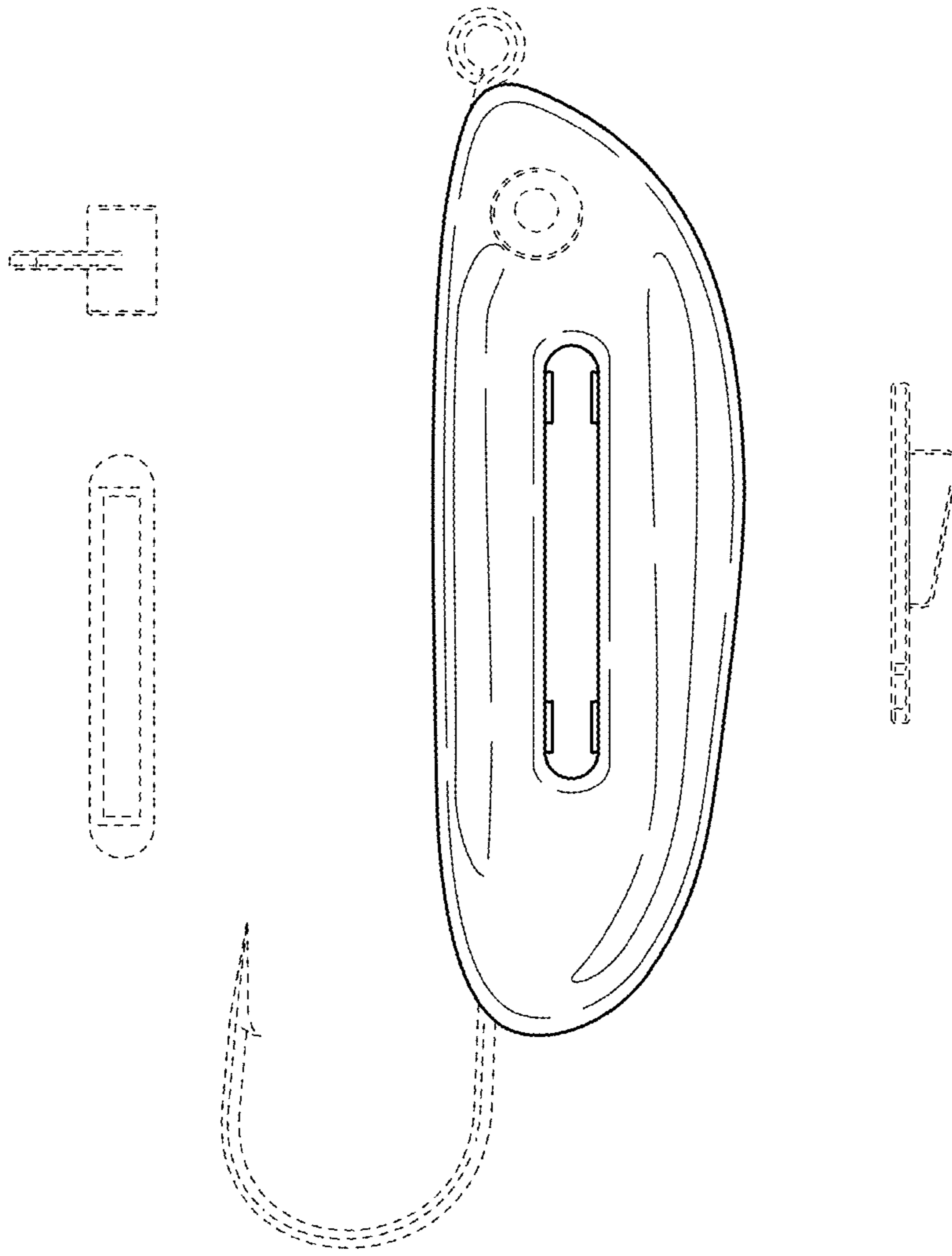


FIG. 4

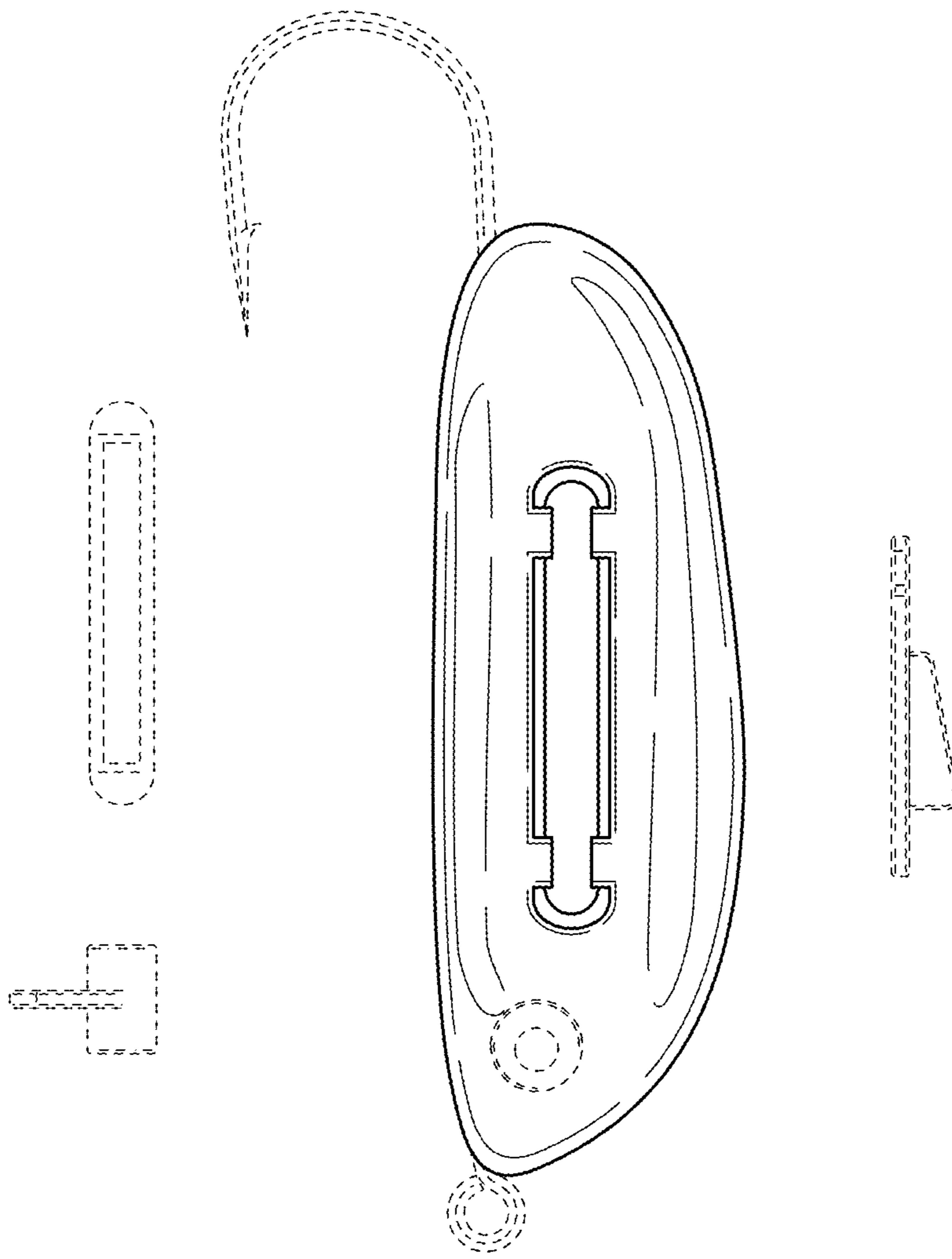


FIG. 5

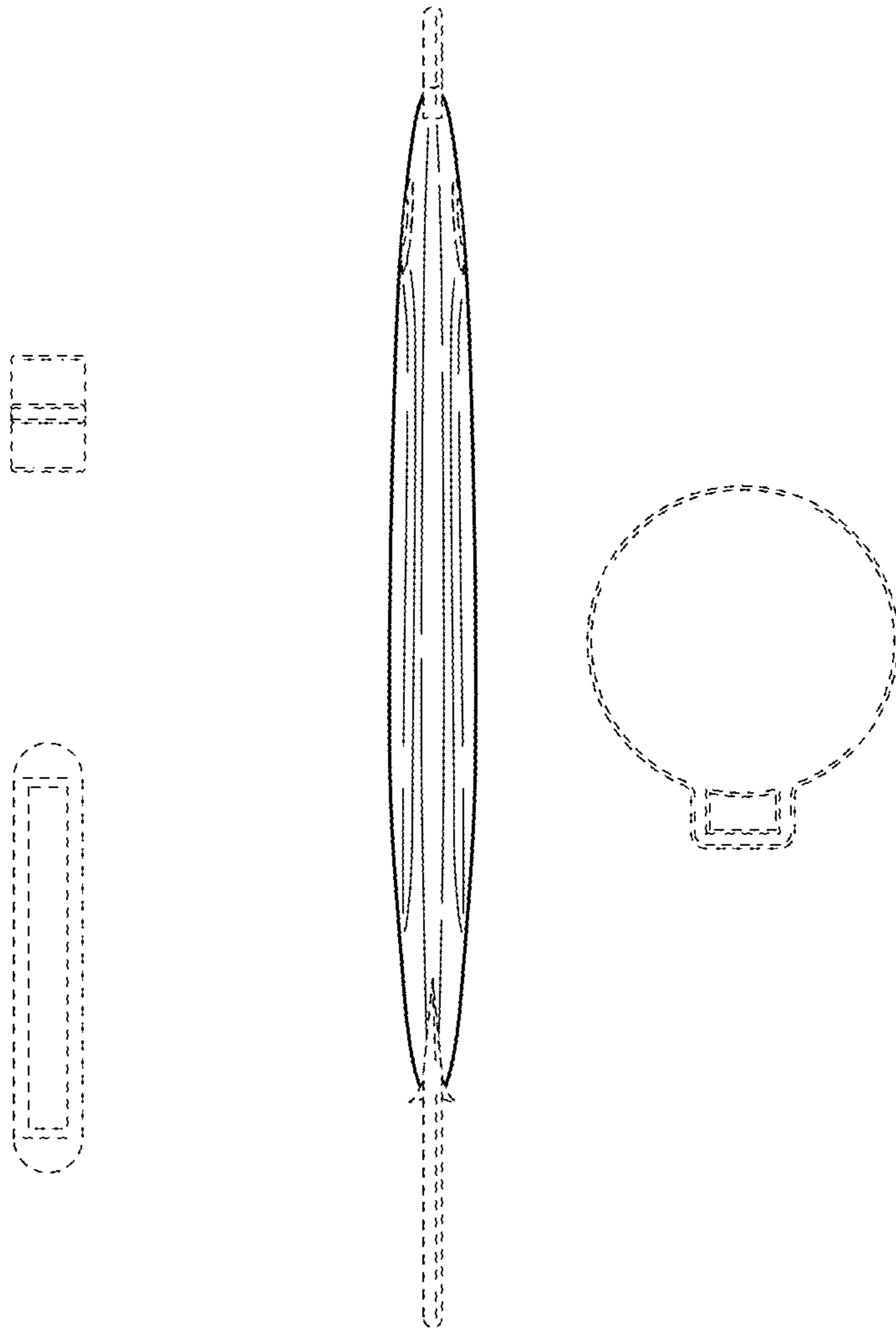


FIG. 6

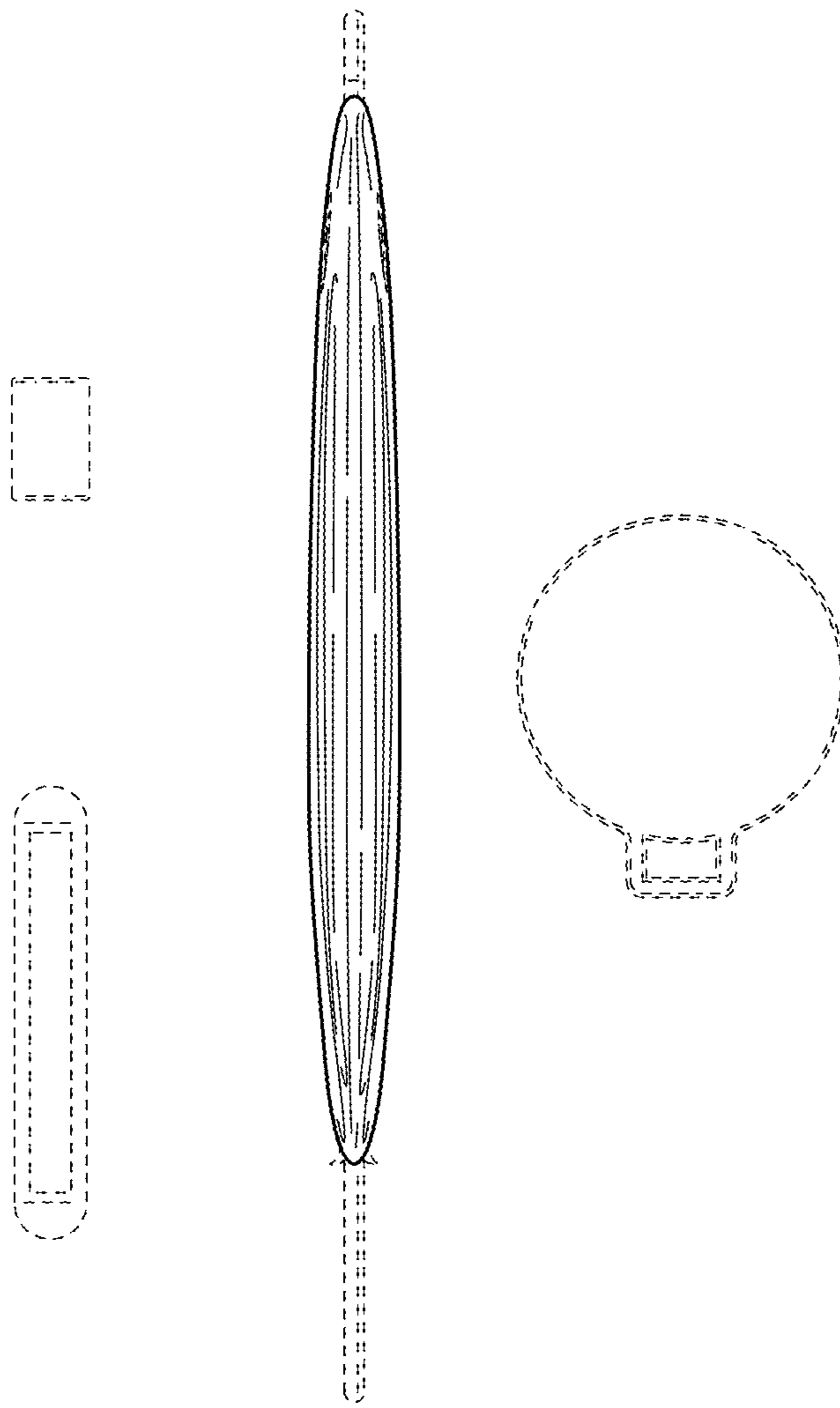


FIG. 7

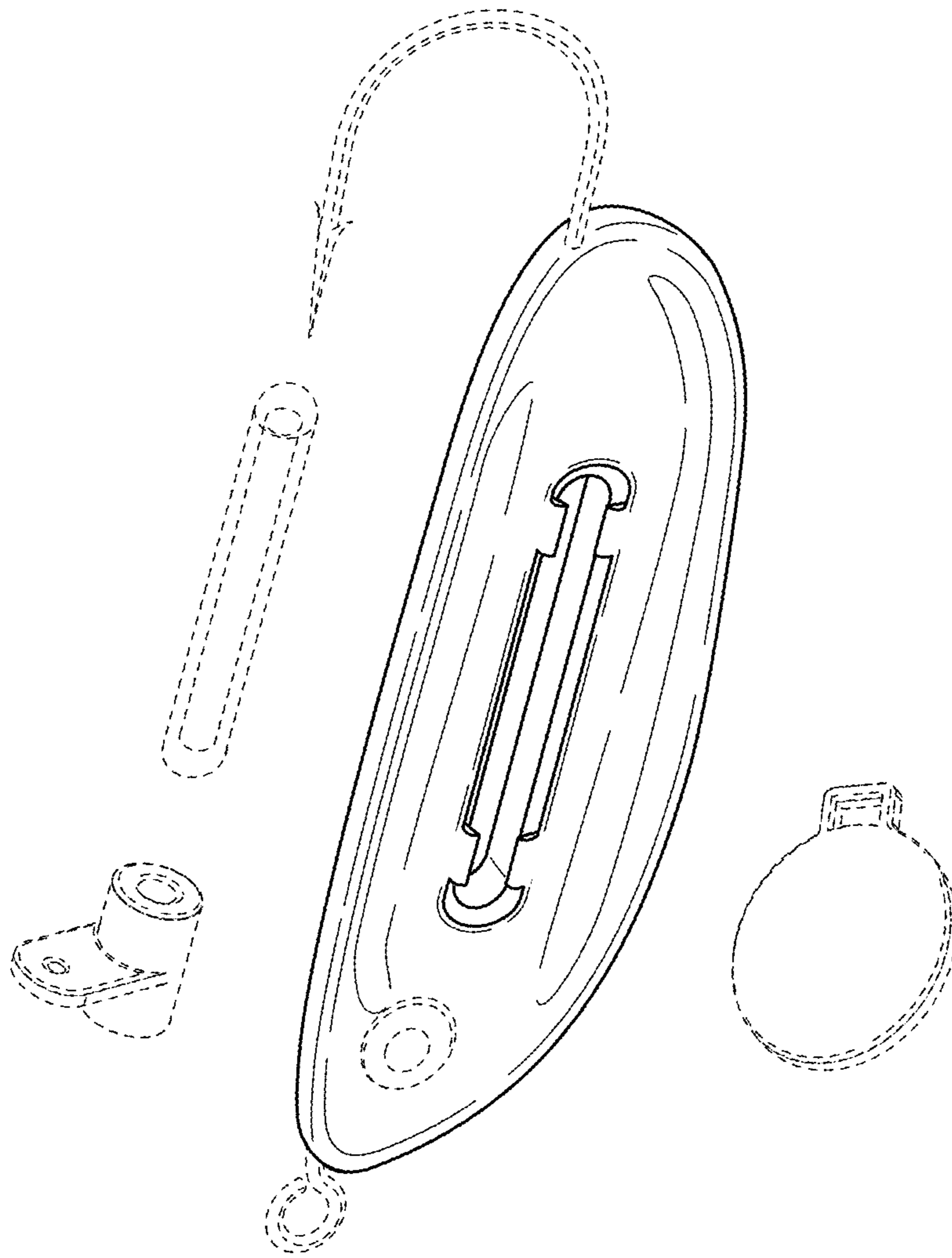


FIG. 8

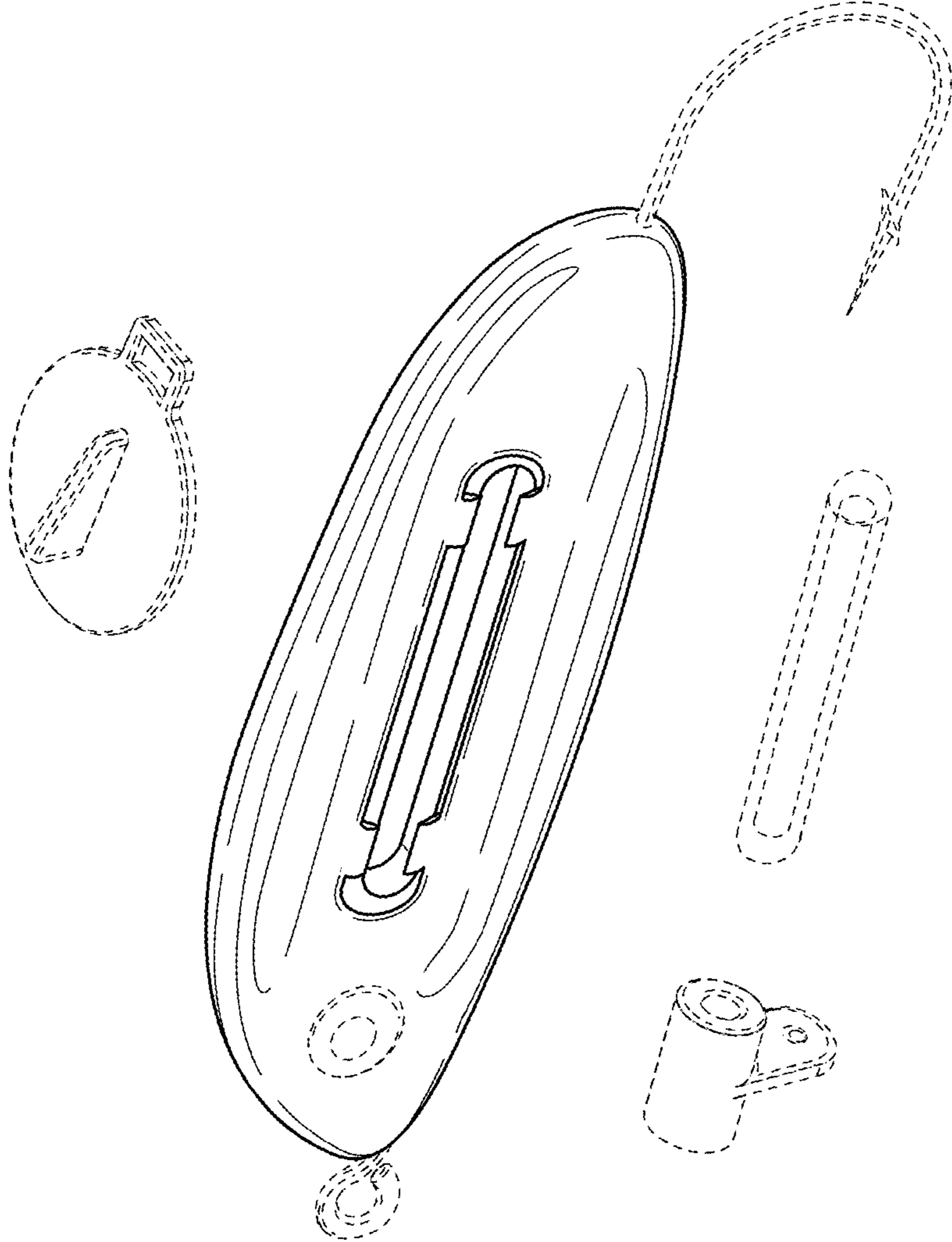


FIG. 9

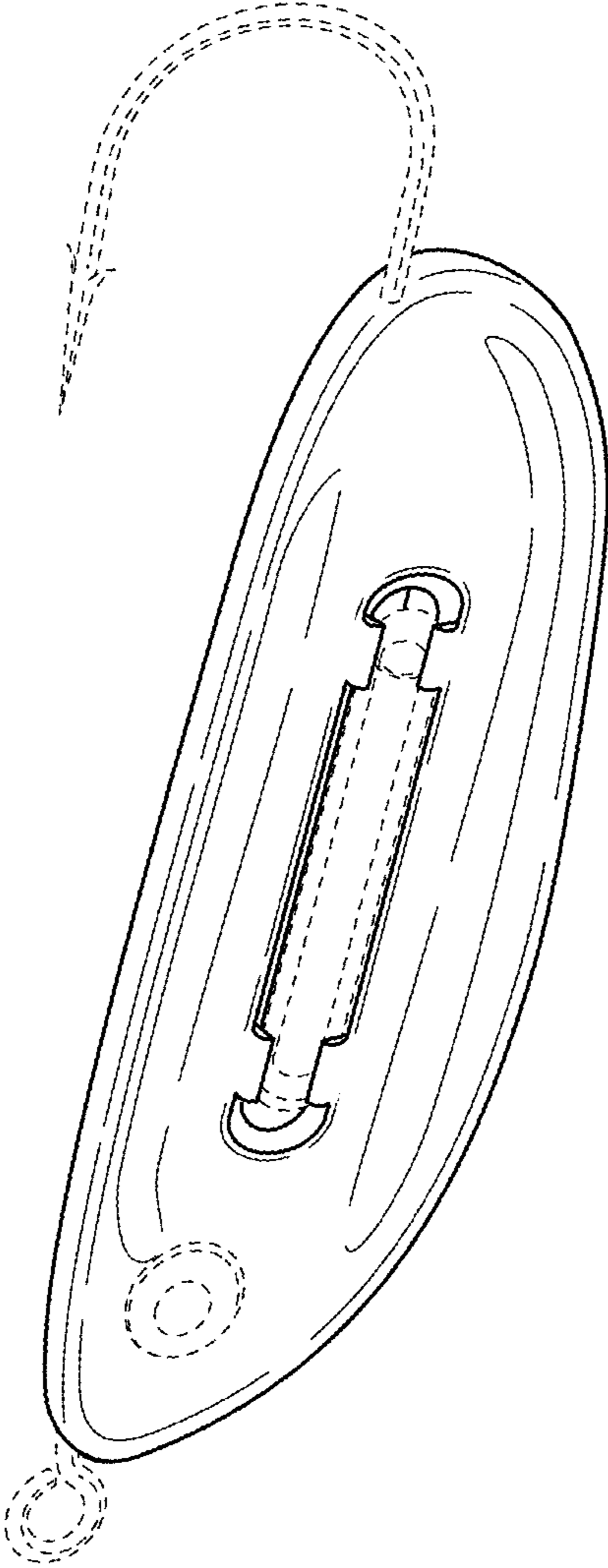


FIG. 10

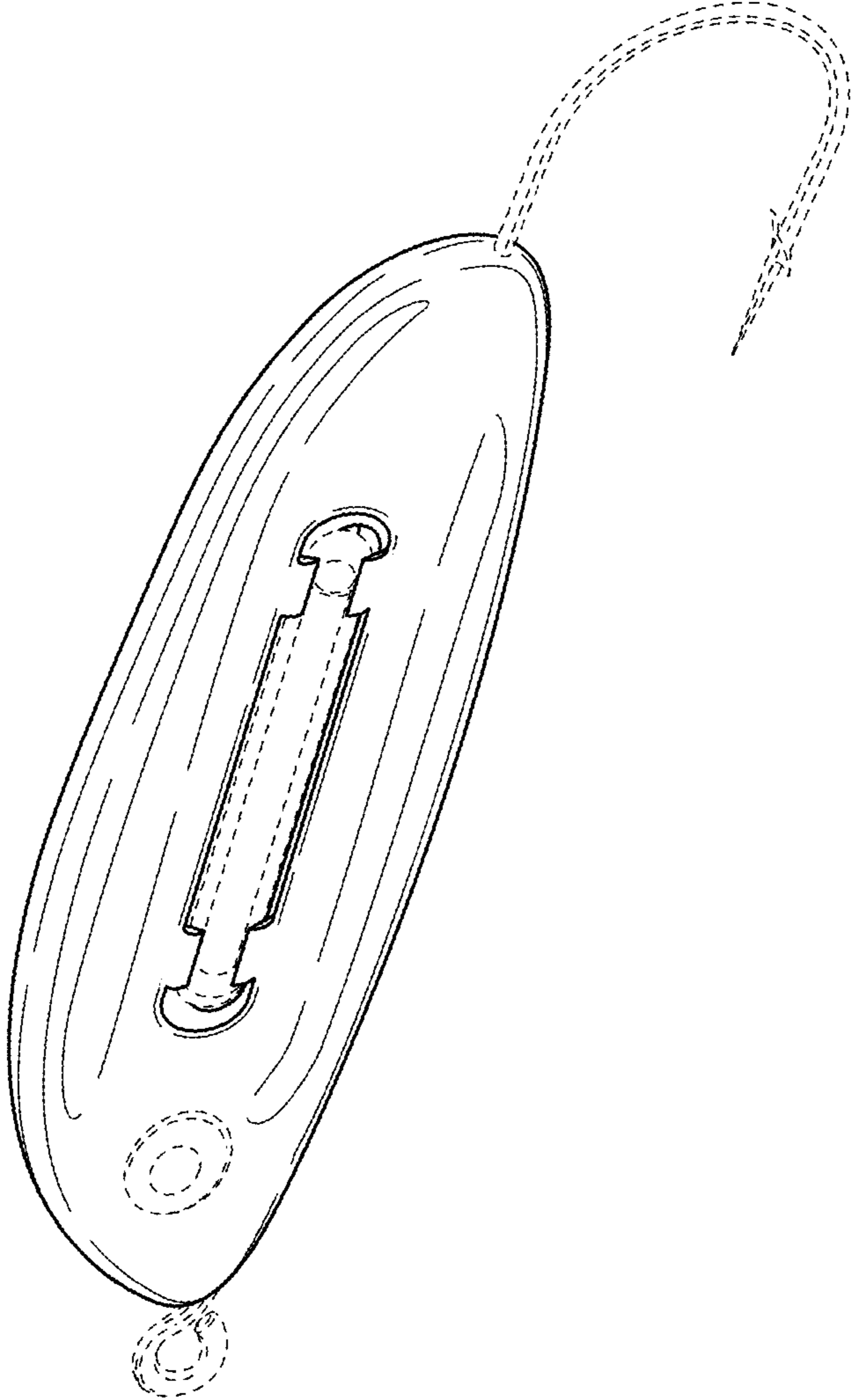


FIG. 11