



US00D875203S

(12) **United States Design Patent**
Yang

(10) **Patent No.:** **US D875,203 S**

(45) **Date of Patent:** **** Feb. 11, 2020**

(54) **USB STUN GUN WITH ILLUMINATION**

D812,709 S * 3/2018 Han D22/117
D827,084 S * 8/2018 Sheikh D22/117

(71) Applicant: **PINGHU ANDUN SAFETY TECHNOLOGY CO., LTD**, Pinghua (CN)

(72) Inventor: **Limei Yang**, Pinghu (CN)

(**) Term: **15 Years**

(21) Appl. No.: **29/667,853**

(22) Filed: **Oct. 25, 2018**

(51) **LOC (12) Cl.** **22-02**

(52) **U.S. Cl.**
USPC **D22/117**

(58) **Field of Classification Search**
USPC D22/117; D14/435.1; D26/38; 42/1.08, 42/1.09; 361/232; 200/519; 340/321, 340/574, 693.8; 222/39, 113, 192, 222/153.03, 123.11, 162, 175, 402.21; 128/844

CPC A62B 3/005; A62B 33/00; F41H 9/10; F41H 13/0018; F41B 15/04; F21L 4/00; F21L 4/02; H05B 3/03; H05B 3/44; G08B 15/004; G08B 21/0297; G08B 21/00446; A61F 5/41

See application file for complete search history.

(56) **References Cited**

U.S. PATENT DOCUMENTS

5,524,638 A * 6/1996 Lyons A61F 5/41
128/844

OTHER PUBLICATIONS

Amazon.com, Reax 100KV TW-1605 Micro Stun Gun—Rechargeable with LED Flashlight USB Electric Shock Self-Defense Portable Protector, Date unknown, date of printing Sep. 19, 2019.*

* cited by examiner

Primary Examiner — Catherine R Oliver-Garcia

(74) *Attorney, Agent, or Firm* — W&K IP

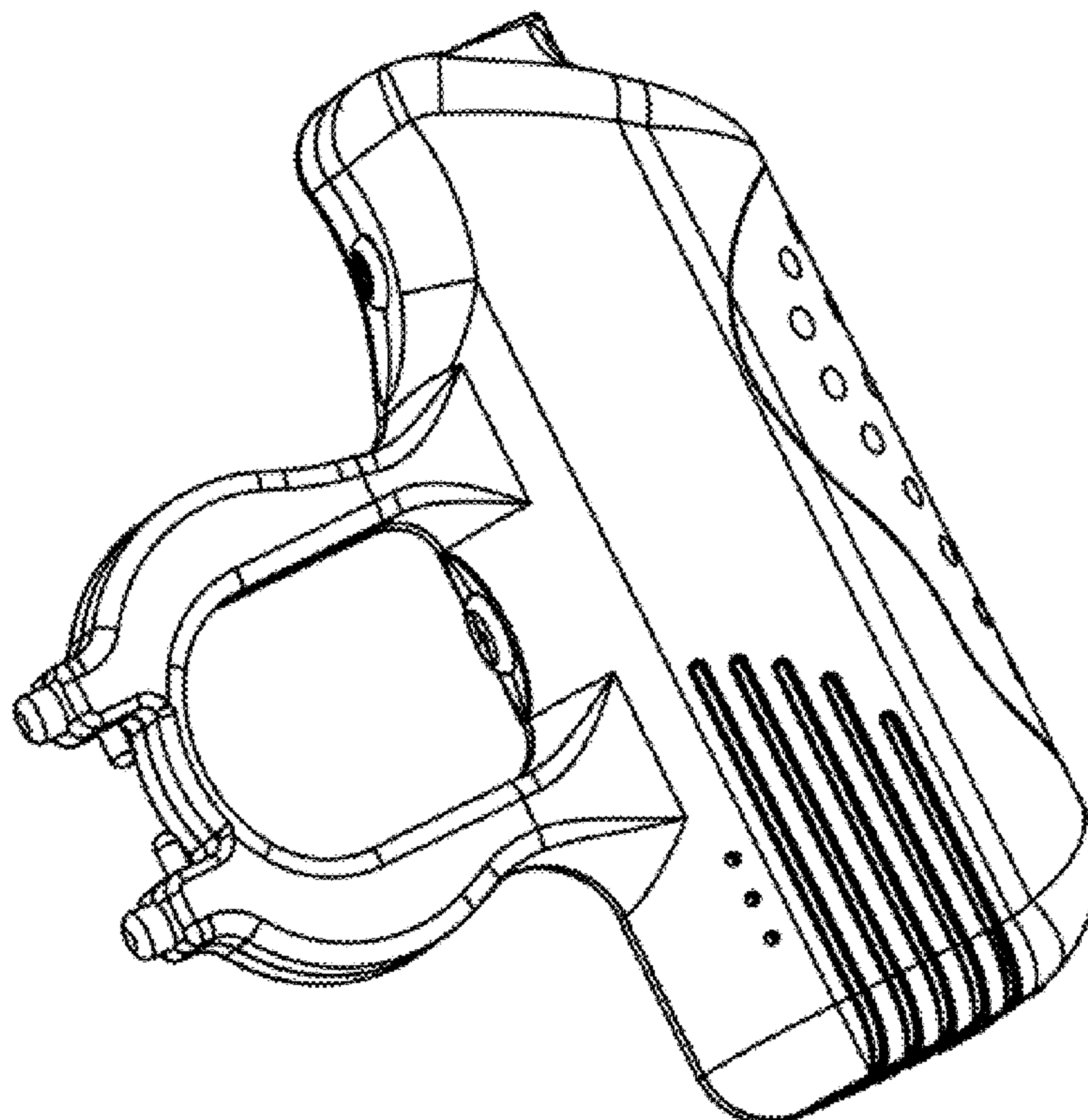
(57) **CLAIM**

The ornamental design for a USB stun gun with illumination, as shown and described.

DESCRIPTION

FIG. 1 is a perspective view showing a USB stun gun with illumination;
FIG. 2 is a front view thereof;
FIG. 3 is a rear view thereof;
FIG. 4 is a left side view thereof;
FIG. 5 is a right side view thereof;
FIG. 6 is a top plan view thereof; and,
FIG. 7 is a bottom plan view thereof.

1 Claim, 7 Drawing Sheets



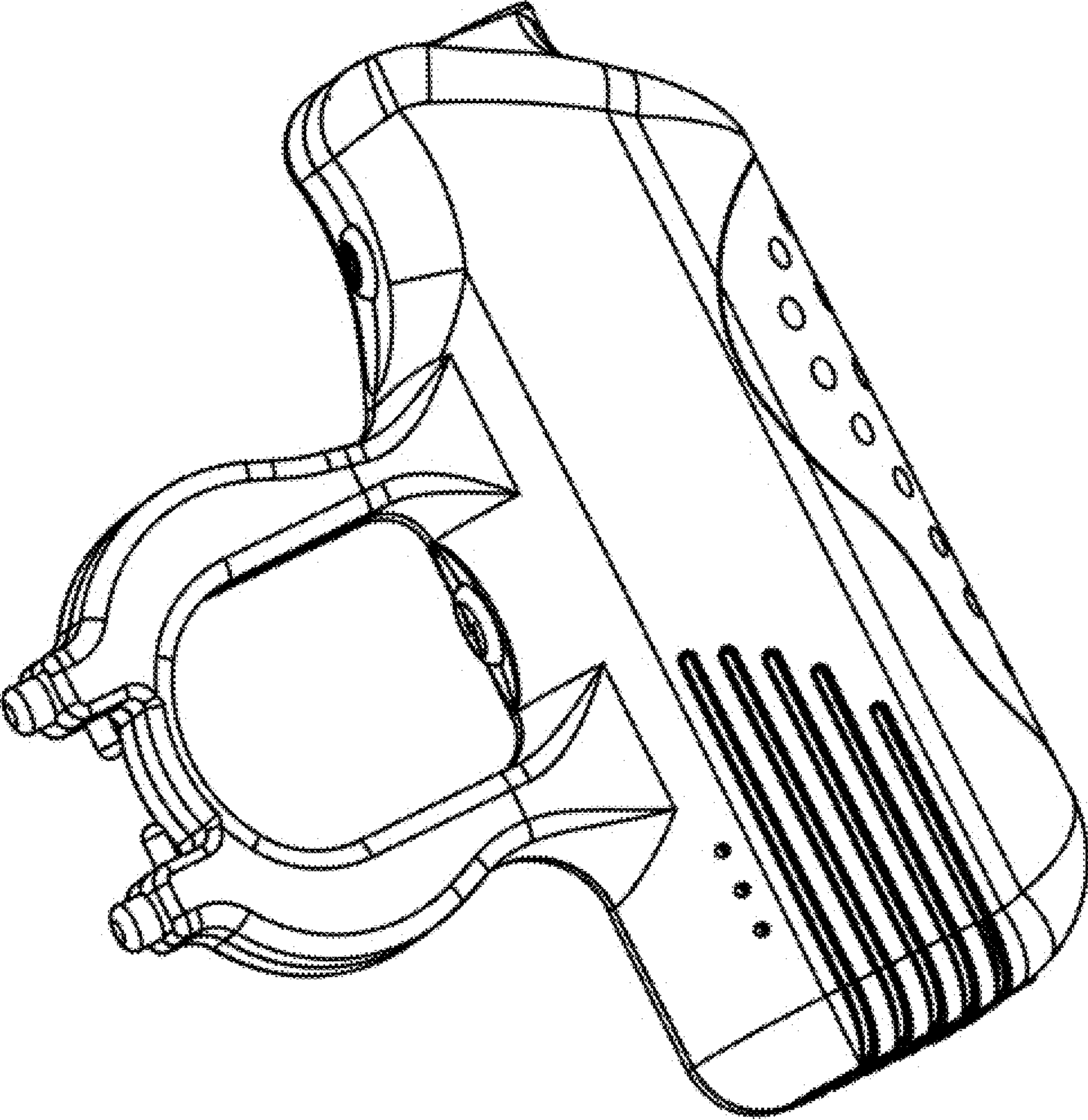


FIG. 1

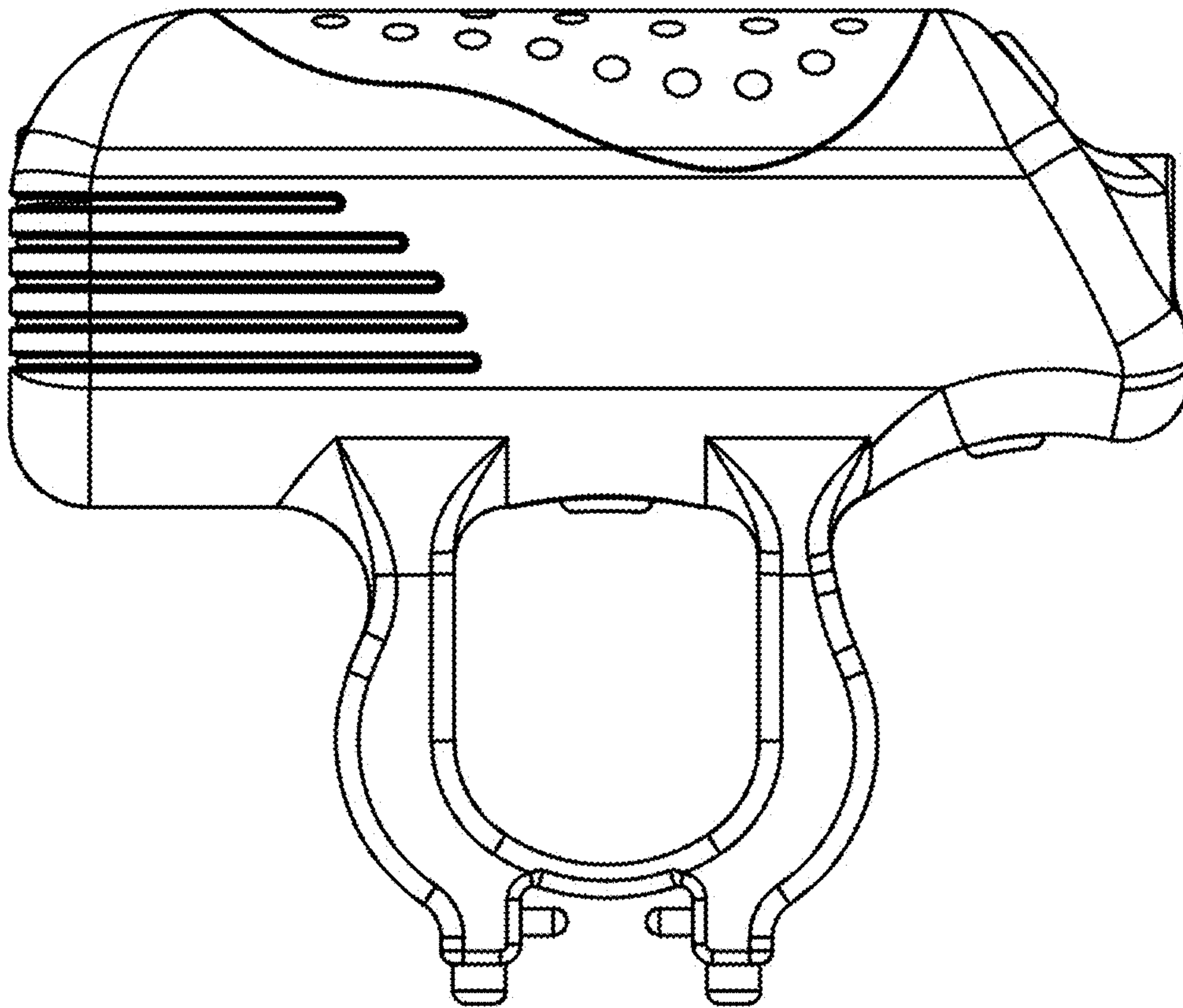


FIG.2

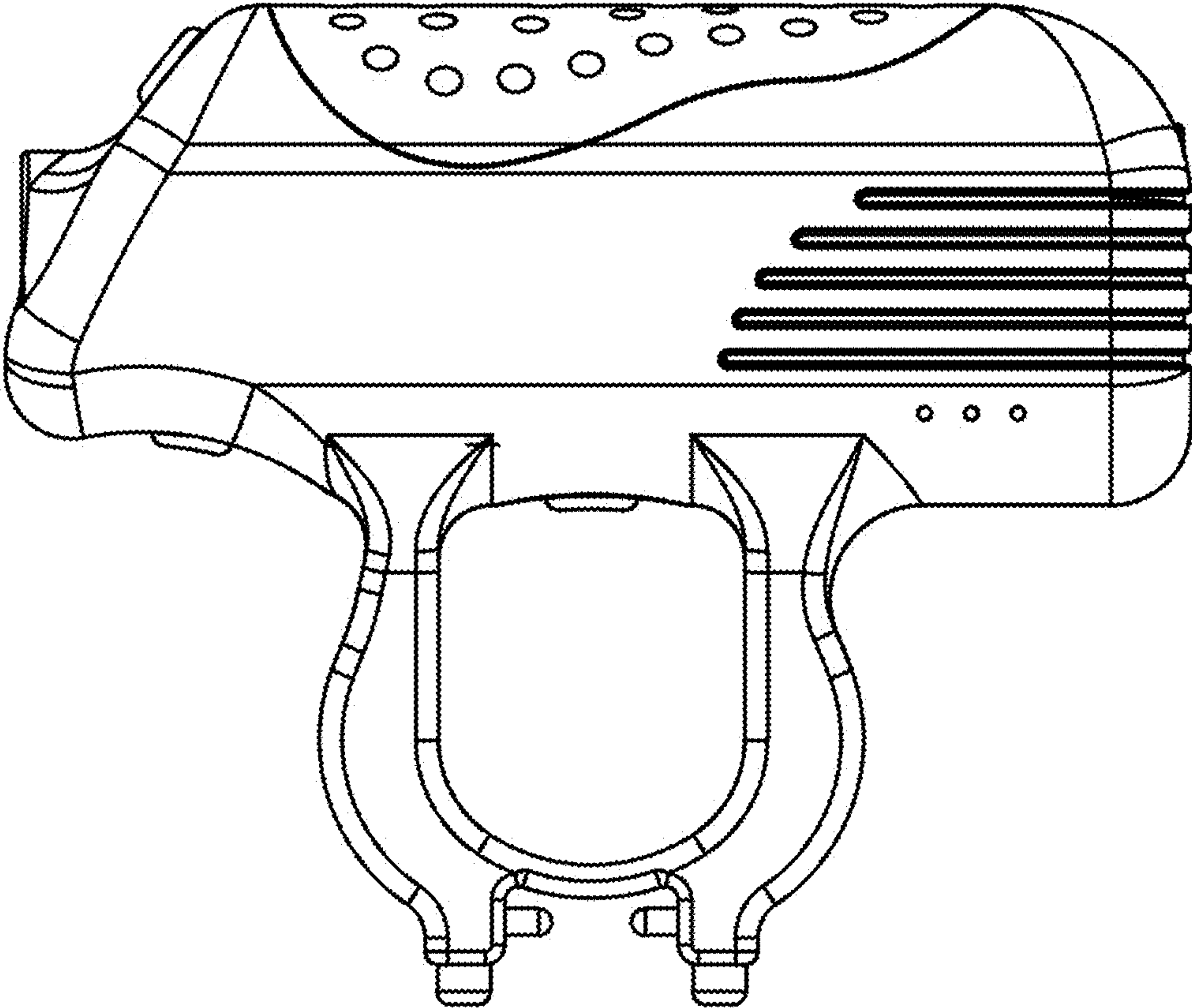


FIG.3

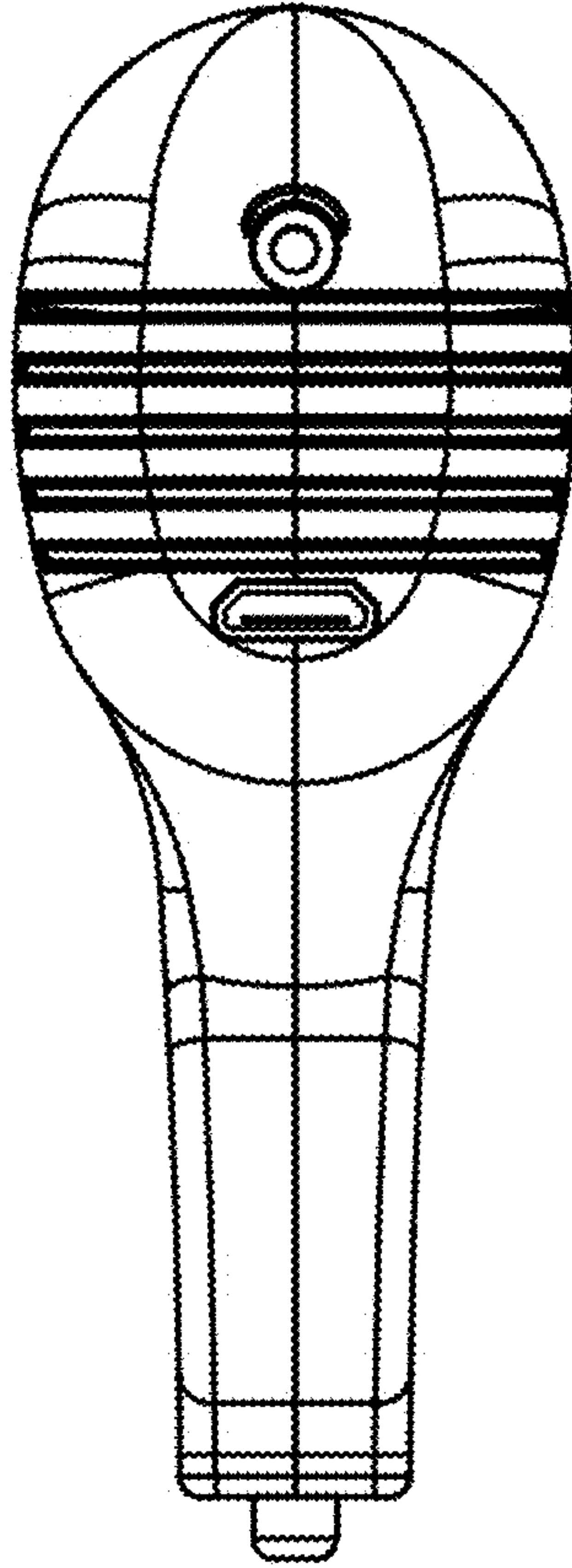


FIG.4

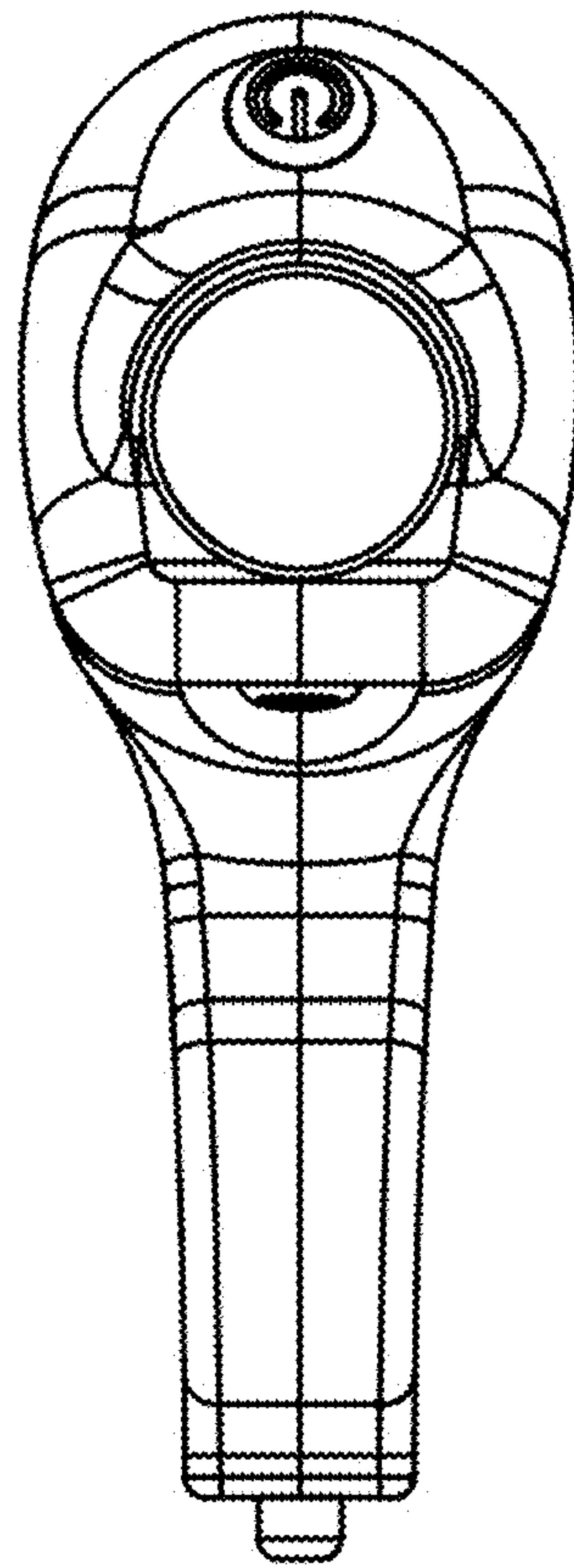


FIG.5

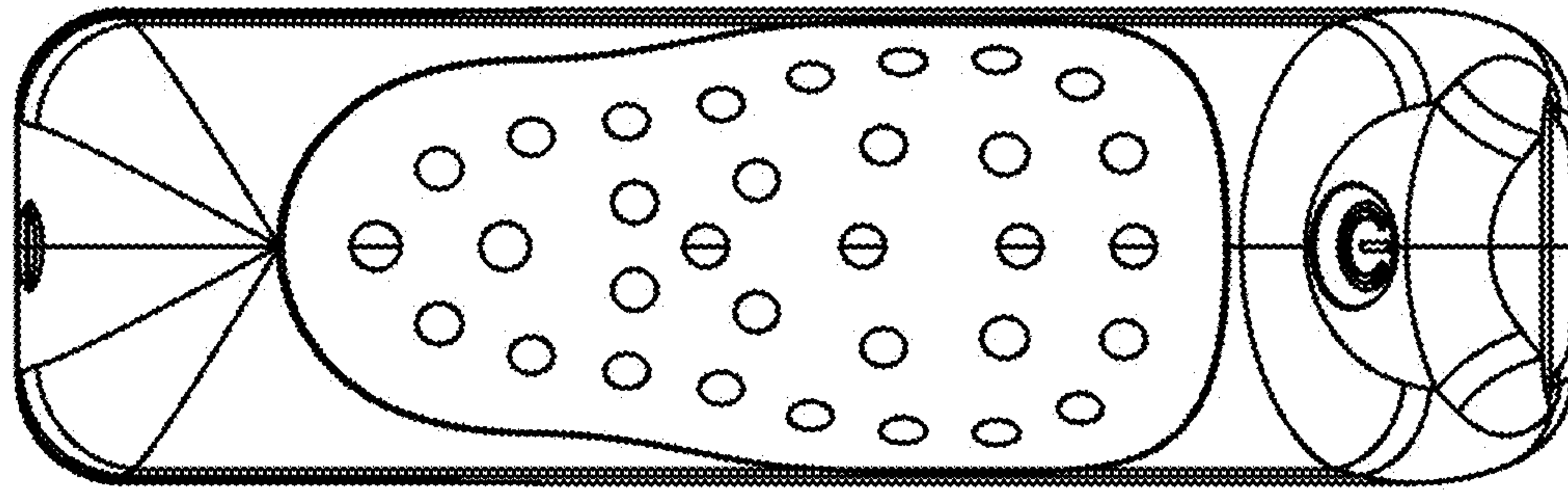


FIG.6

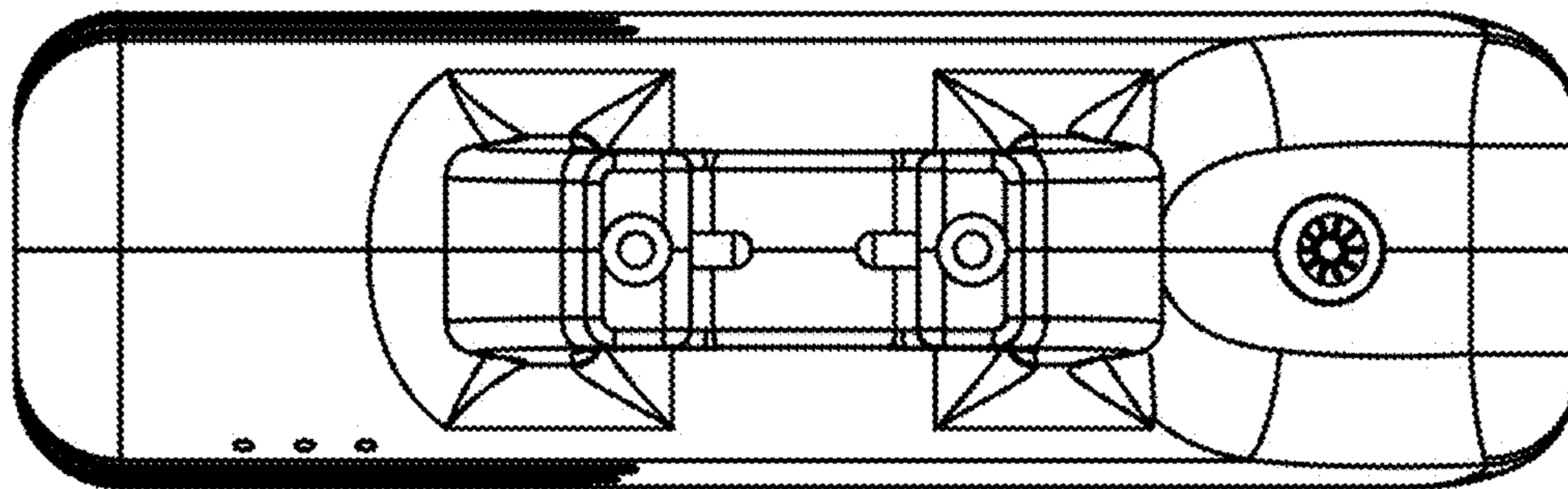


FIG. 7