



US00D875199S

(12) **United States Design Patent** (10) **Patent No.:** **US D875,199 S**
Hu (45) **Date of Patent:** **** Feb. 11, 2020**

(54) **GUN BODY**
(71) Applicant: **Shih-Che Hu**, Tainan (TW)
(72) Inventor: **Shih-Che Hu**, Tainan (TW)
(**) Term: **15 Years**

(21) Appl. No.: **29/638,793**
(22) Filed: **Mar. 1, 2018**
(51) **LOC (12) Cl.** **22-01**
(52) **U.S. Cl.**
USPC **D22/108**; D22/103; D21/573
(58) **Field of Classification Search**
USPC D21/301, 304, 567, 570, 571, 573, 574,
D21/575, 746; D22/100, 101, 102, 103,
D22/106, 107, 108, 109, 110, 111, 112,
D22/115, 116, 199
CPC F41A 3/26; F41A 3/12; F41A 5/02; F41A
17/22; F41B 5/143; F41B 5/14; F41B
5/066; F41B 7/08; F41B 5/1446; F41B
5/148; F41B 5/1465; F42B 6/04; F42B
6/08; F42B 6/02; F42B 6/06; F42B
12/362; F41C 23/16; F41C 27/00; F41C
7/00; F41G 11/003; F41G 11/001; F41G
11/004; F41G 11/005; A63H 5/04
See application file for complete search history.

(56) **References Cited**

U.S. PATENT DOCUMENTS

D400,954 S	*	11/1998	Ealovega	D22/104
D650,034 S	*	12/2011	Lindsay	D22/103
D650,035 S	*	12/2011	Lindsay	D22/103
D671,183 S	*	11/2012	Lucansky	D22/103
D708,288 S	*	7/2014	Bero	D22/103
D714,413 S	*	9/2014	Kerbrat	D22/104
D717,901 S	*	11/2014	Kerbrat	D22/103
D724,168 S	*	3/2015	Alis	D22/103
D755,335 S	*	5/2016	Alis	D22/108
D773,590 S	*	12/2016	Wingate	D22/108
D773,593 S	*	12/2016	Hopkins	D22/108

10,101,109 B2 * 10/2018 Caudle F41A 11/02
2011/0030258 A1 * 2/2011 Fistikchi F41C 23/12
42/1.06
2012/0260791 A1 * 10/2012 Kerbrat F41A 3/72
89/1.4

(Continued)

FOREIGN PATENT DOCUMENTS

JP 2014238196 A * 12/2014

OTHER PUBLICATIONS

“Kriss Vector Airsoft vs. “Real Steel”” [online]. Steve Johnson. [Published on Mar. 28, 2012]. Retrieved from the Internet: <<https://www.thefirearmblog.com/blog/2012/03/28/kriss-vector-airsoft-vs-real-steel/>>.*

(Continued)

Primary Examiner — Khawaja Anwar
Assistant Examiner — Mojtaba Tehrani
(74) *Attorney, Agent, or Firm* — Raymond Y. Chan;
David and Raymond Patent Firm

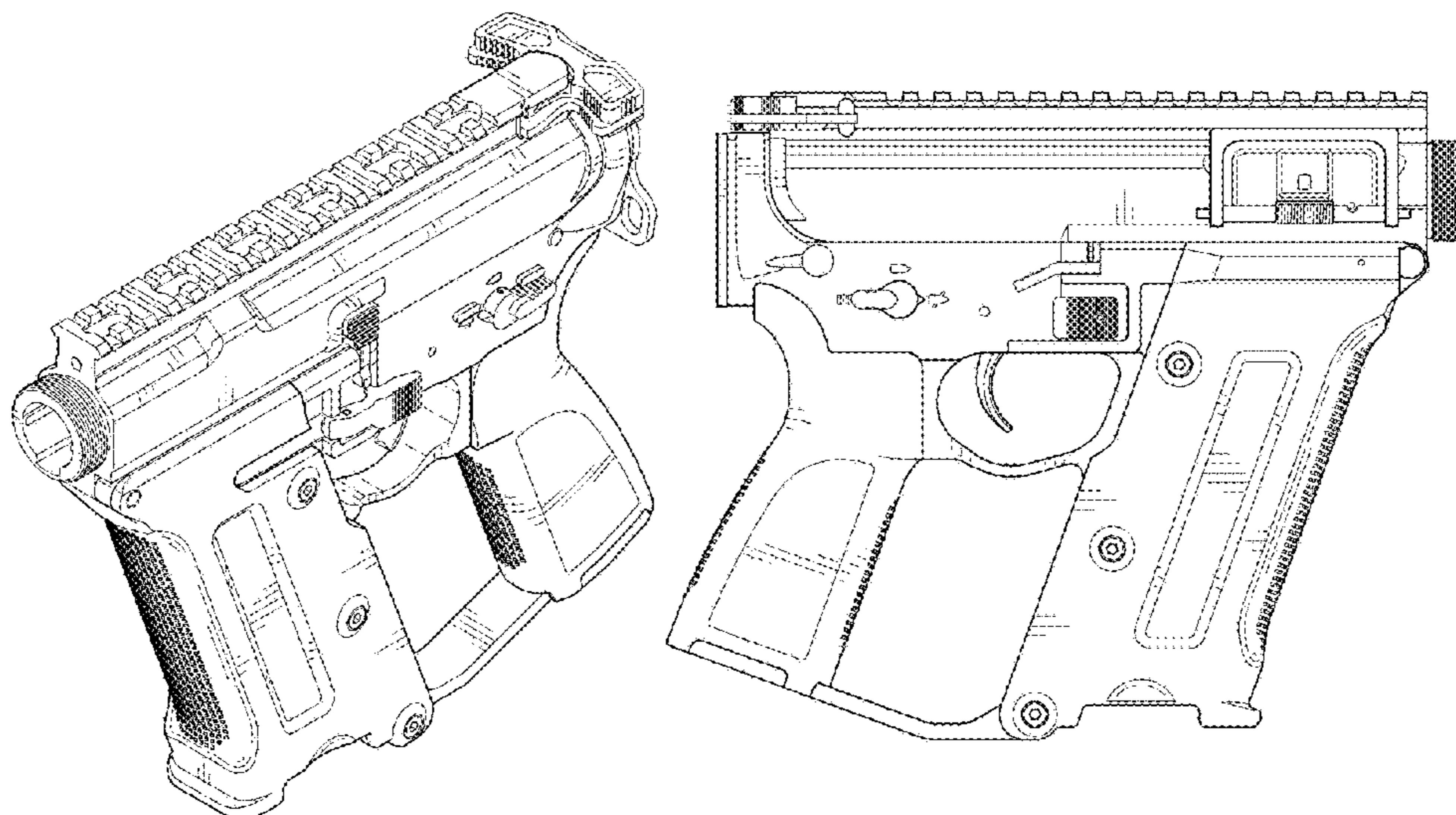
(57) **CLAIM**

The ornamental design for a gun body, as shown and described.

DESCRIPTION

FIG. 1 is a perspective view of a gun body showing my new design;
FIG. 2 is a front view thereof;
FIG. 3 is a rear view thereof;
FIG. 4 is a left end view thereof;
FIG. 5 is a right end view thereof;
FIG. 6 is a top view thereof;
FIG. 7 is a bottom view thereof; and,
FIG. 8 is a front side view thereof assembled and in condition of use.
The broken line in the drawings depicts unclaimed environment only and forms no part of the claimed design.

1 Claim, 6 Drawing Sheets



(56)

References Cited

U.S. PATENT DOCUMENTS

2013/0087130 A1* 4/2013 Hu F41B 11/721
124/60

OTHER PUBLICATIONS

“SRU PDW Carbine Kit for Elite Force Glock 17 Airsoft Pistols”
[online]. Evike.com. [Retrieved on Dec. 26, 2018]. Retrieved from
the Internet: <<https://www.evike.com/products/81836/>>.*

“KWA Ronin TK .45 AEG 3 First Look | Airsoft Megastore Shot
Show 2018” [online]. airsoftmegastoreCOM. [Published on Jan. 24,
2018]. Retrieved from the Internet: <[https://www.youtube.com/
watch?v=FrjBTpNrZVs](https://www.youtube.com/watch?v=FrjBTpNrZVs)>.*

“KWA’s Very Own CQB Machine?—RedWolf Airsoft RWTV”
[online]. RedWolf Airsoft. [Published on Jan. 31, 2018]. Retrieved
from the Internet: <[https://www.youtube.com/watch?v=
BeMjR2iOMPw](https://www.youtube.com/watch?v=BeMjR2iOMPw)>.*

* cited by examiner

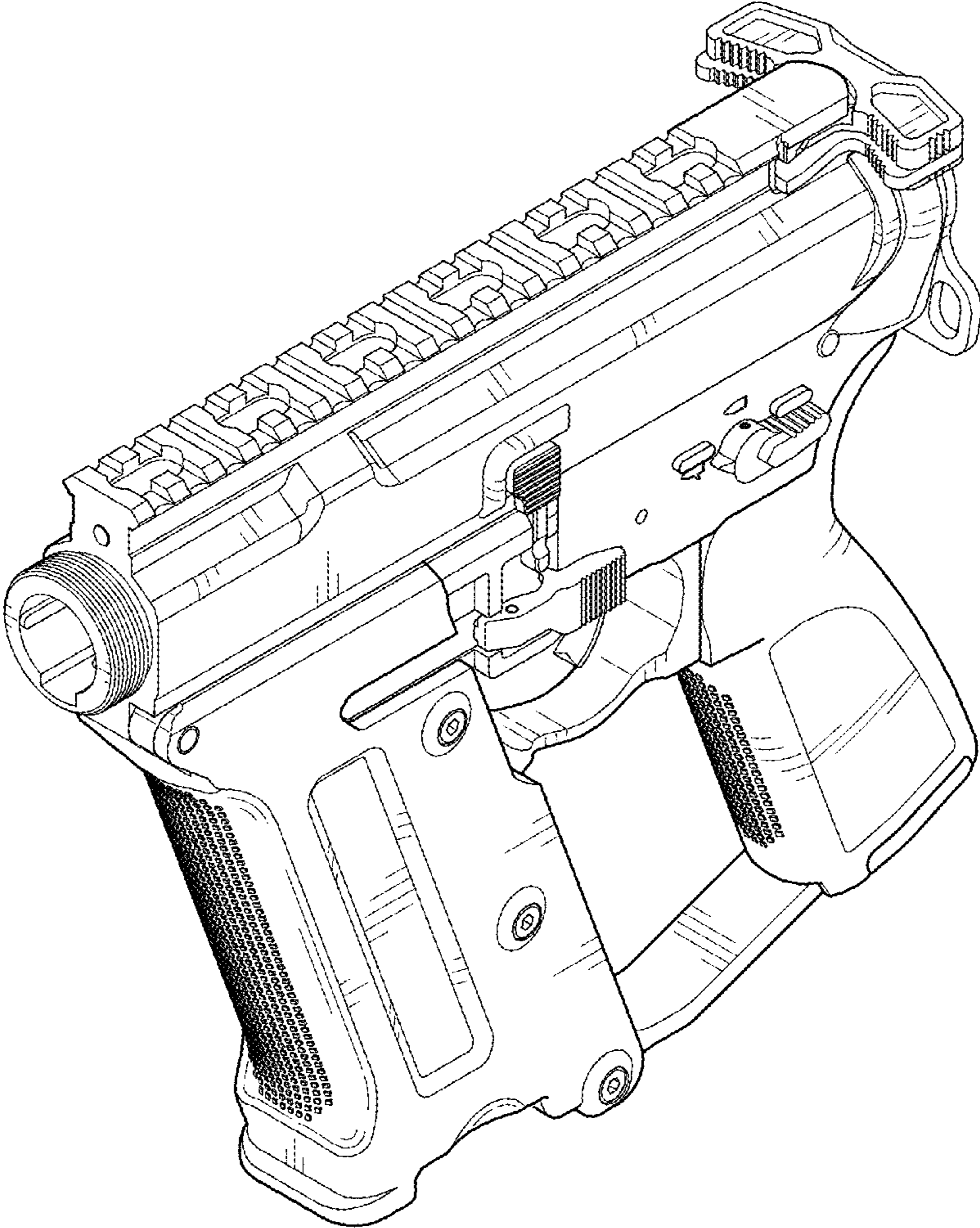


FIG. 1

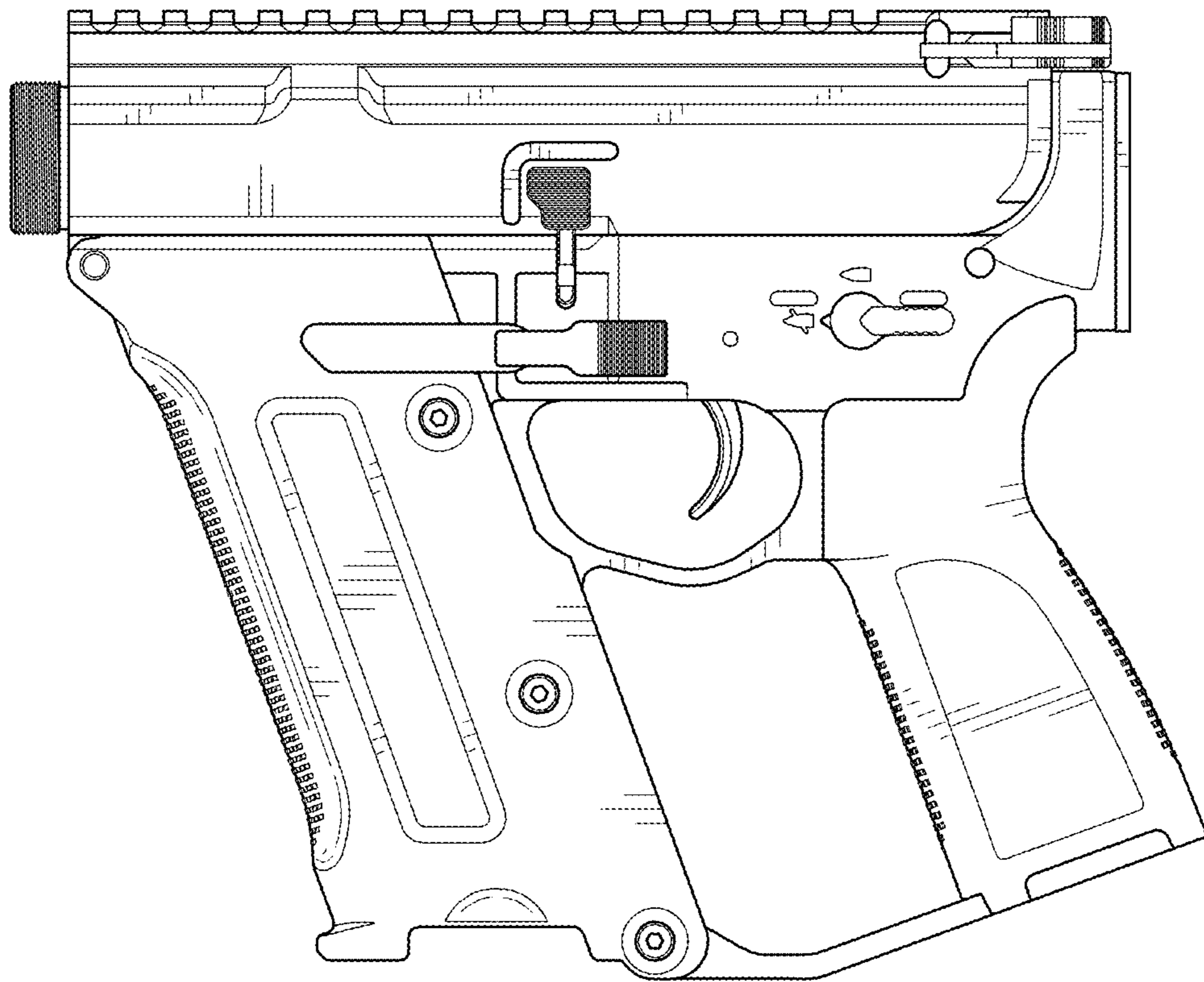


FIG. 2

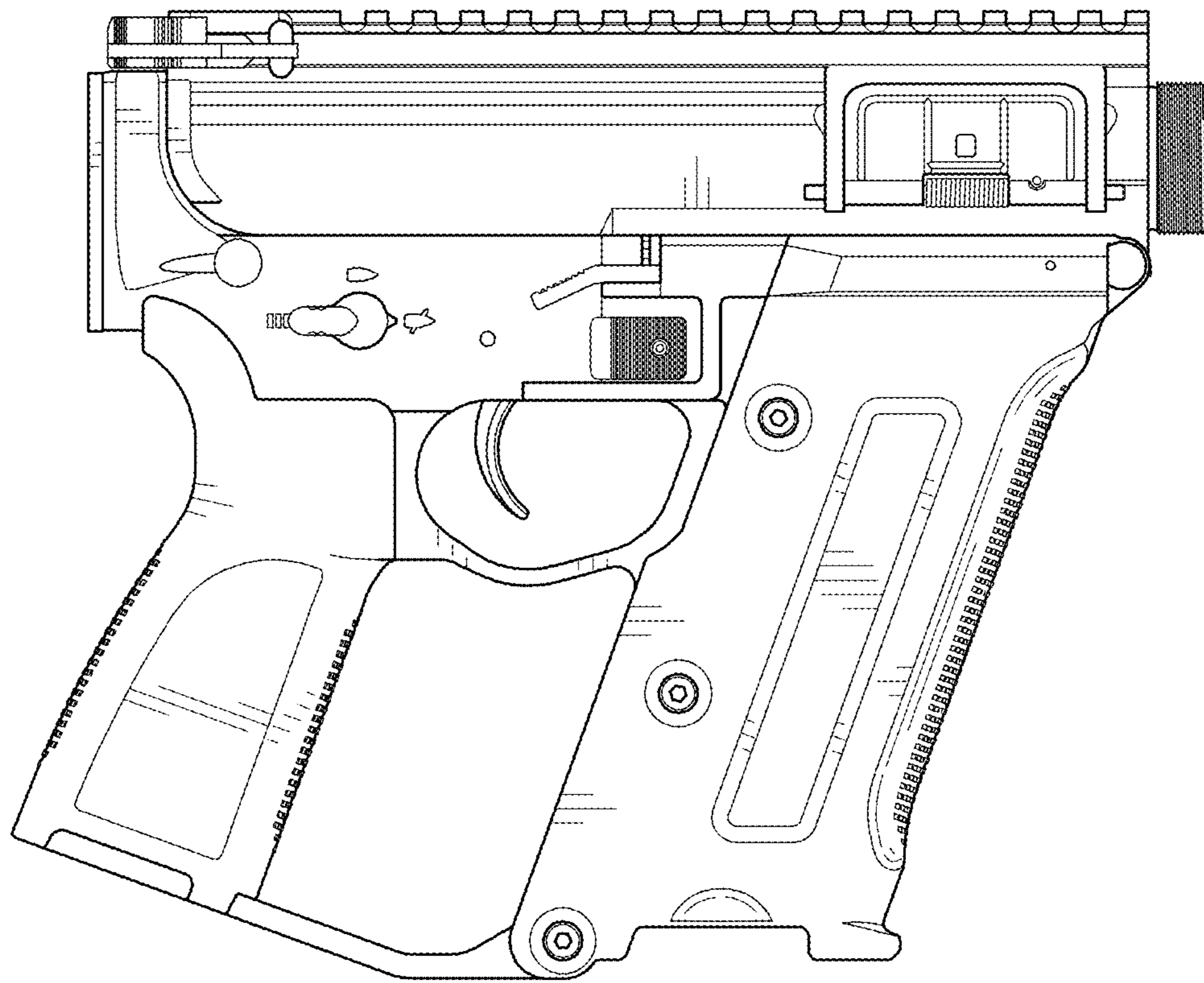


FIG. 3

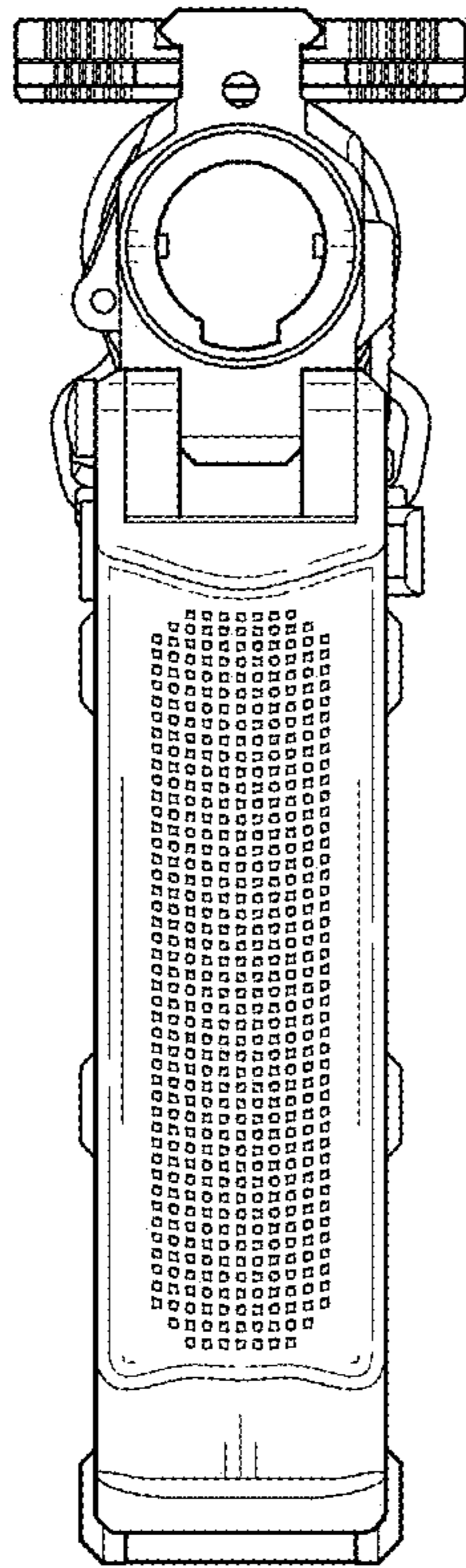


FIG. 4

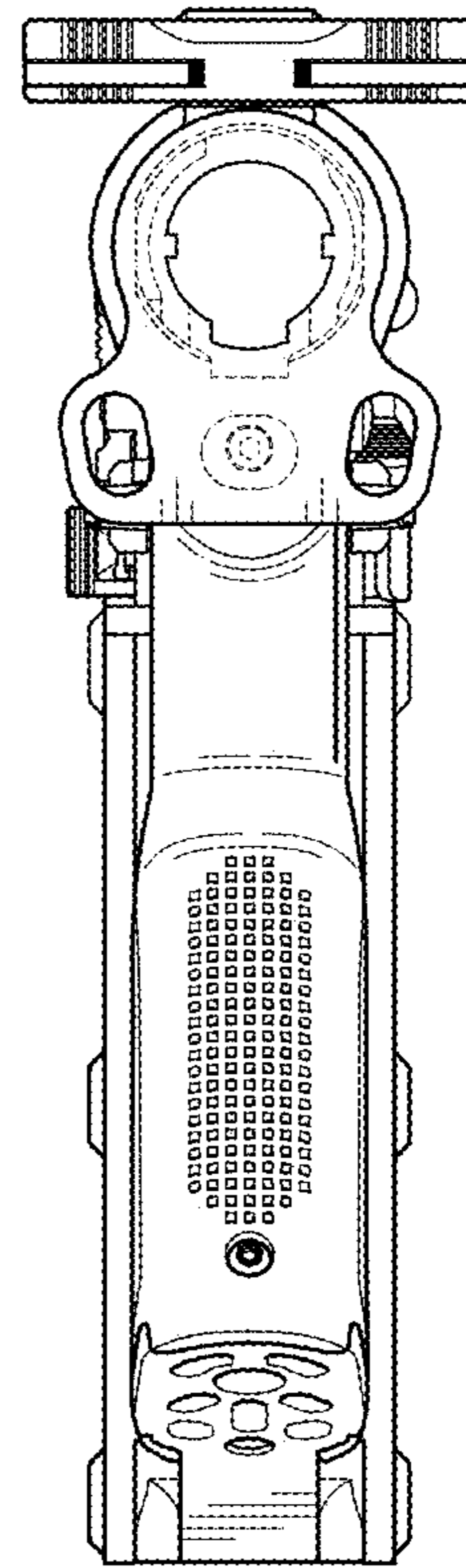


FIG. 5

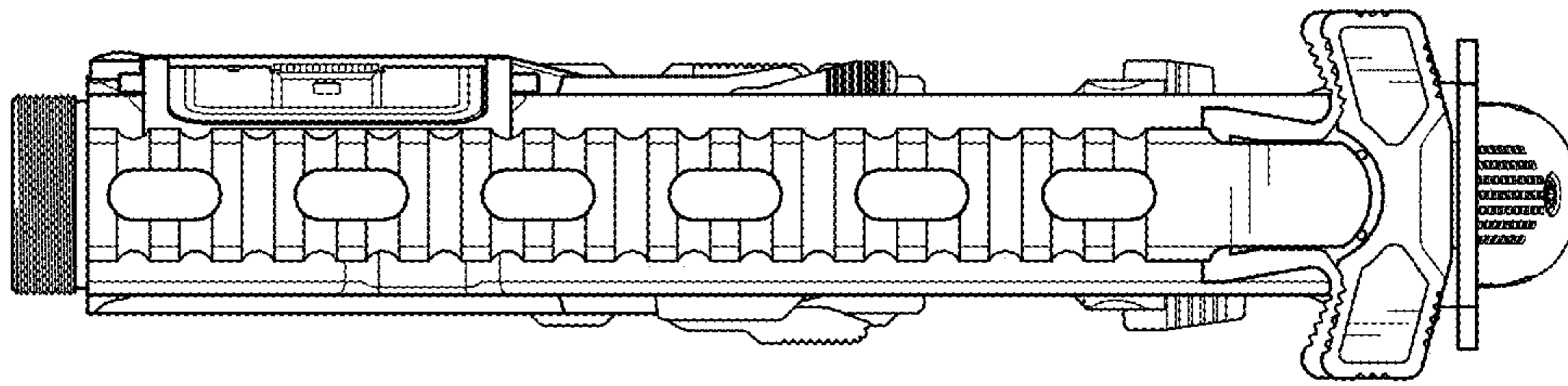


FIG. 6

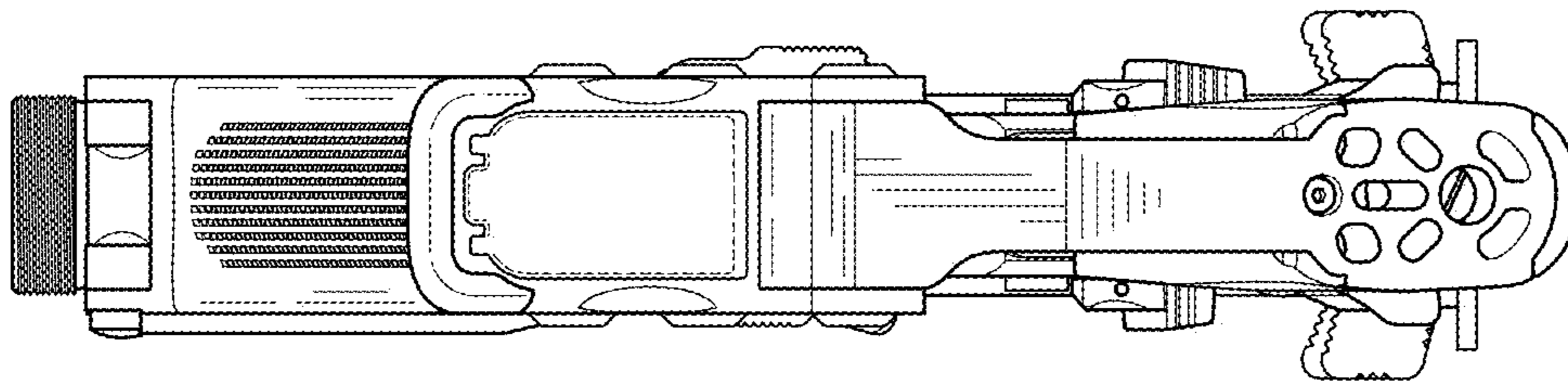


FIG. 7

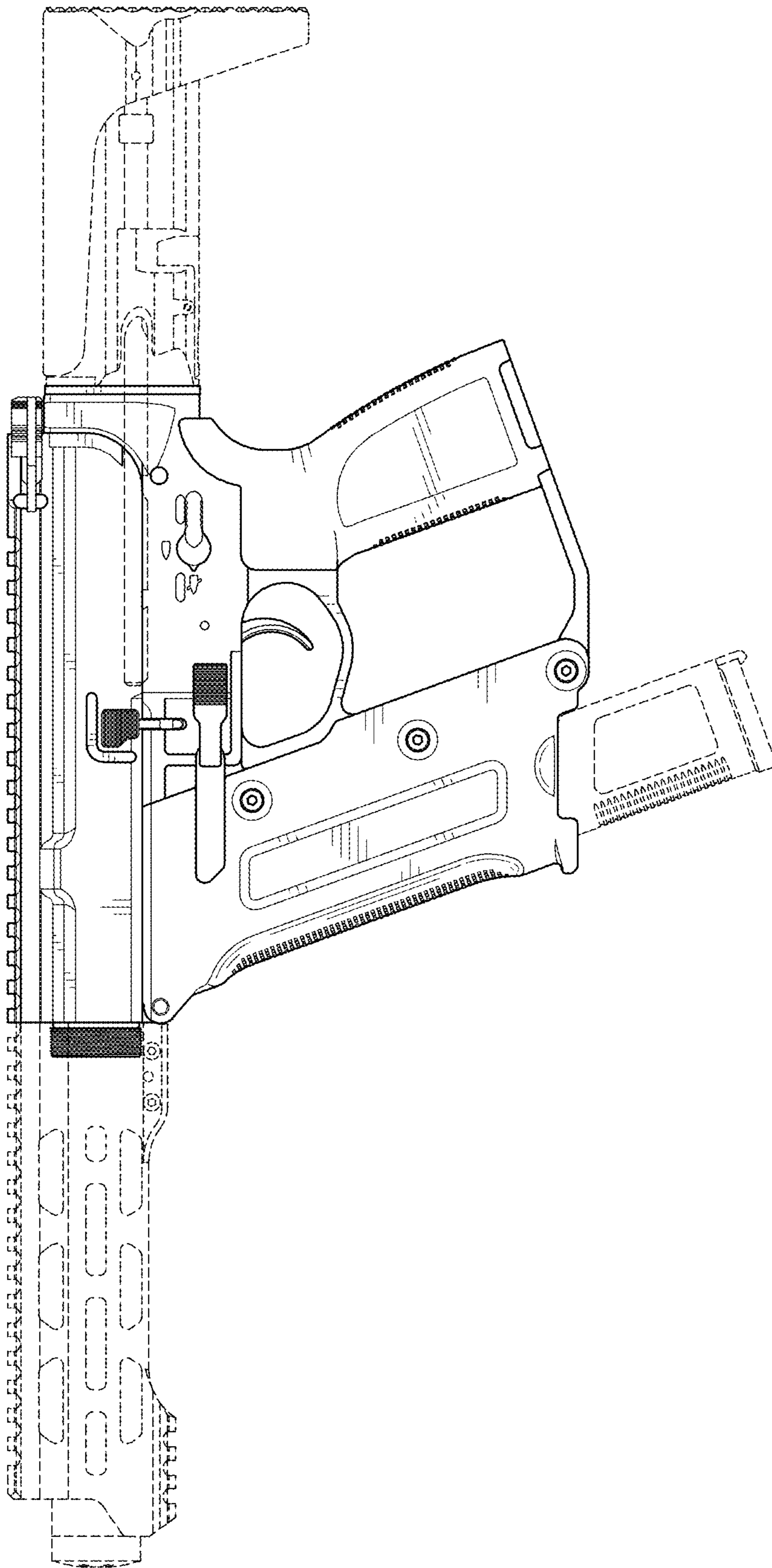


FIG. 8