



US00D875197S

(12) **United States Design Patent**  
**Pescovitz**

(10) **Patent No.:** **US D875,197 S**  
(45) **Date of Patent:** **\*\* Feb. 11, 2020**

(54) **PERSONAL ENCLOSURE**

*Primary Examiner* — Cynthia M. Chin

(71) Applicant: **Under The Weather, LLC**, Cincinnati, OH (US)

(72) Inventor: **Eric Pescovitz**, Cincinnati, OH (US)

(\*\*) Term: **15 Years**

(21) Appl. No.: **29/655,370**

(22) Filed: **Jul. 2, 2018**

(51) **LOC (12) Cl.** ..... **21-04**

(52) **U.S. Cl.**  
USPC ..... **D21/838**

(58) **Field of Classification Search**  
USPC ..... D21/834–838; D25/16; D32/36, 37;  
D3/305; 135/115, 123–126, 128,  
135/135–137, 143, 900, 902; D16/237  
CPC ..... E04H 15/001; E04H 15/003; E04H 15/14;  
E04H 15/32; E04H 15/322; E04H 15/34;  
E04H 15/40; E04H 15/42; E04H 15/425;  
A63B 2210/54; G03D 17/00  
See application file for complete search history.

(56) **References Cited**

**U.S. PATENT DOCUMENTS**

2,751,952	A *	6/1956	Mirus	.....	A41D 13/081 383/41
4,731,627	A *	3/1988	Chisholm	.....	G03D 17/00 135/87
D302,170	S *	7/1989	Harrison	.....	D16/237
4,985,721	A *	1/1991	Moon	.....	G03D 17/00 190/107
5,019,849	A *	5/1991	Harrison	.....	G03D 17/00 135/87
D328,308	S *	7/1992	Harrison	.....	396/590
D345,572	S *	3/1994	Bowman	.....	396/590
D381,058	S *	7/1997	Lowenthal	.....	D21/838
D383,188	S *	9/1997	Bohart	.....	D21/838

(Continued)

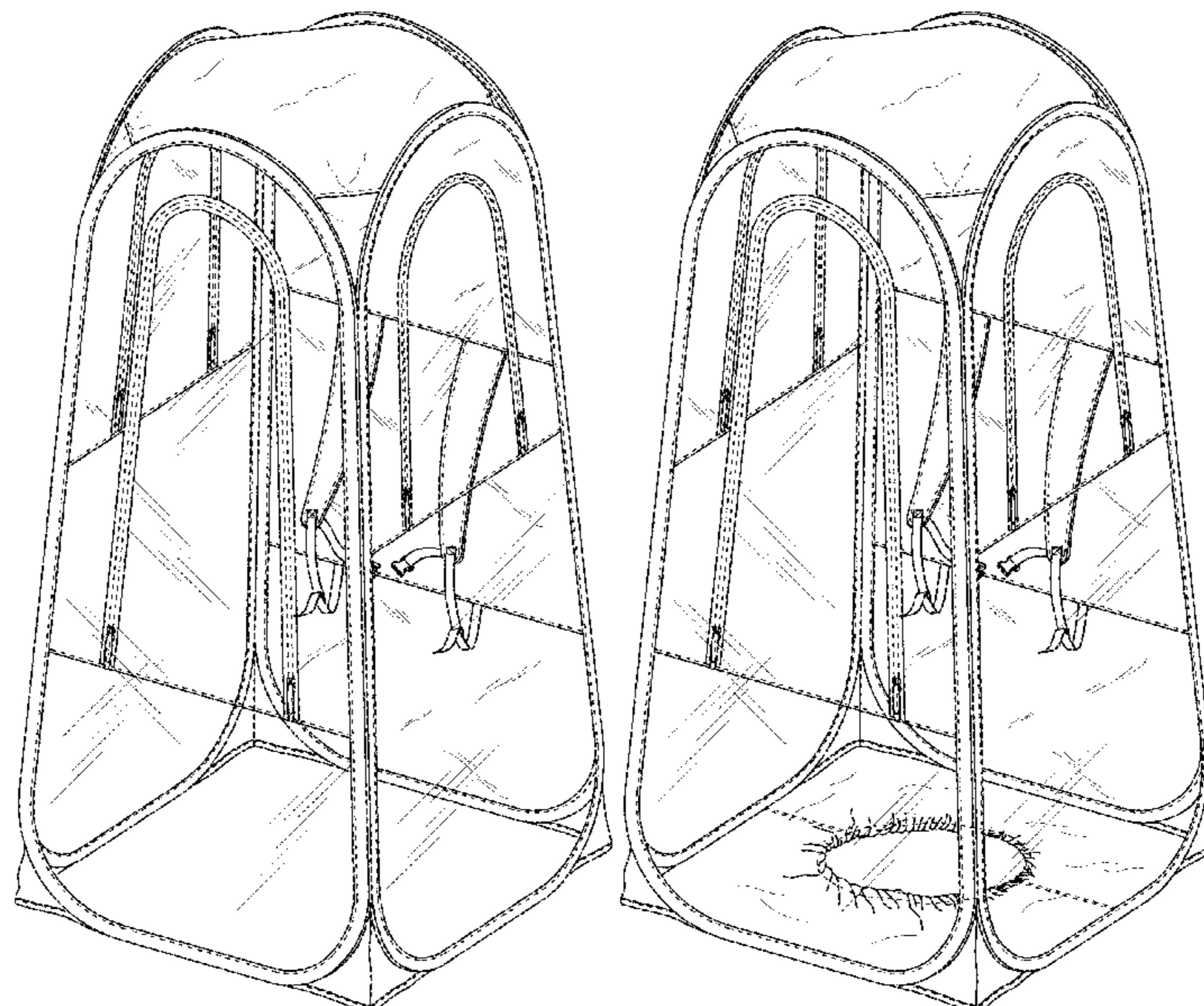
(57) **CLAIM**

The ornamental design for a personal enclosure, as shown and described.

**DESCRIPTION**

FIG. 1 is a perspective view of a personal enclosure;  
 FIG. 2 is another perspective view of the personal enclosure of FIG. 1;  
 FIG. 3 is a front view of the personal enclosure of FIG. 1;  
 FIG. 4 is a rear view of the personal enclosure of FIG. 1;  
 FIG. 5 is a left side view of the personal enclosure of FIG. 1;  
 FIG. 6 is a right side view of the personal enclosure of FIG. 1;  
 FIG. 7 is a top view of the personal enclosure of FIG. 1;  
 FIG. 8 is a bottom view of the personal enclosure of FIG. 1;  
 FIG. 9 is a perspective view of a 2<sup>nd</sup> embodiment of a personal enclosure;  
 FIG. 10 is another perspective view of the personal enclosure of FIG. 9;  
 FIG. 11 is a front view of the personal enclosure of FIG. 9;  
 FIG. 12 is a rear view of the personal enclosure of FIG. 9;  
 FIG. 13 is a left side view of the personal enclosure of FIG. 9;  
 FIG. 14 is a right side view of the personal enclosure of FIG. 9;  
 FIG. 15 is a top view of the personal enclosure of FIG. 9;  
 and,  
 FIG. 16 is a bottom view of the personal enclosure of FIG. 9.  
 The broken lines are for the purpose of illustrating portions of the article that form no part of the claimed design.

**1 Claim, 14 Drawing Sheets**



(56)

References Cited

U.S. PATENT DOCUMENTS

D412,959 S \* 8/1999 Cung ..... D21/834  
 6,305,396 B1 \* 10/2001 Zheng ..... A63B 9/00  
 135/115  
 6,453,923 B2 \* 9/2002 Zheng ..... A63B 9/00  
 135/117  
 6,772,779 B1 \* 8/2004 Percy ..... E04H 15/32  
 135/120.1  
 D514,747 S \* 2/2006 Bertoli ..... D30/108  
 7,021,548 B1 \* 4/2006 Rocca ..... G01J 1/02  
 235/462.46  
 7,040,333 B1 \* 5/2006 Ransom ..... E04H 15/32  
 135/115  
 7,137,399 B1 \* 11/2006 Ransom ..... E04H 15/32  
 135/128  
 D559,140 S \* 1/2008 Hilton ..... D10/113.4  
 D610,217 S \* 2/2010 Krueger ..... D21/836  
 D617,841 S \* 6/2010 Jedlicka ..... D10/113.4  
 D691,688 S \* 10/2013 Pescovitz ..... D21/838  
 D691,689 S \* 10/2013 Pescovitz ..... D21/838  
 D691,690 S \* 10/2013 Pescovitz ..... D21/838

D711,996 S \* 8/2014 Pescovitz ..... D21/834  
 D711,997 S \* 8/2014 Pescovitz ..... D21/834  
 D711,998 S \* 8/2014 Pescovitz ..... D21/834  
 D721,232 S \* 1/2015 Krotts ..... D3/305  
 D725,735 S \* 3/2015 Pescovitz ..... D21/838  
 D728,940 S \* 5/2015 Krotts ..... D3/305  
 D739,656 S \* 9/2015 Krotts ..... D3/305  
 D776,777 S \* 1/2017 Pescovitz ..... D21/836  
 D776,778 S \* 1/2017 Pescovitz ..... D21/836  
 D790,023 S \* 6/2017 Pescovitz ..... D21/838  
 D790,025 S \* 6/2017 Pescovitz ..... D21/838  
 D790,026 S \* 6/2017 Pescovitz ..... D21/838  
 D831,148 S \* 10/2018 Ferrara ..... D21/838  
 10,175,467 B2 \* 1/2019 Mazel ..... G02B 21/0004  
 10,323,435 B2 \* 6/2019 Ferrara ..... E04H 15/56  
 2002/0112753 A1 \* 8/2002 Louie ..... A63H 33/008  
 135/125  
 2005/0081903 A1 \* 4/2005 Wang ..... E04H 15/40  
 135/126  
 2007/0107286 A1 \* 5/2007 Jedlicka ..... E04H 15/40  
 40/610  
 2009/0025265 A1 \* 1/2009 Jedlicka ..... G09F 15/0062  
 40/610

\* cited by examiner

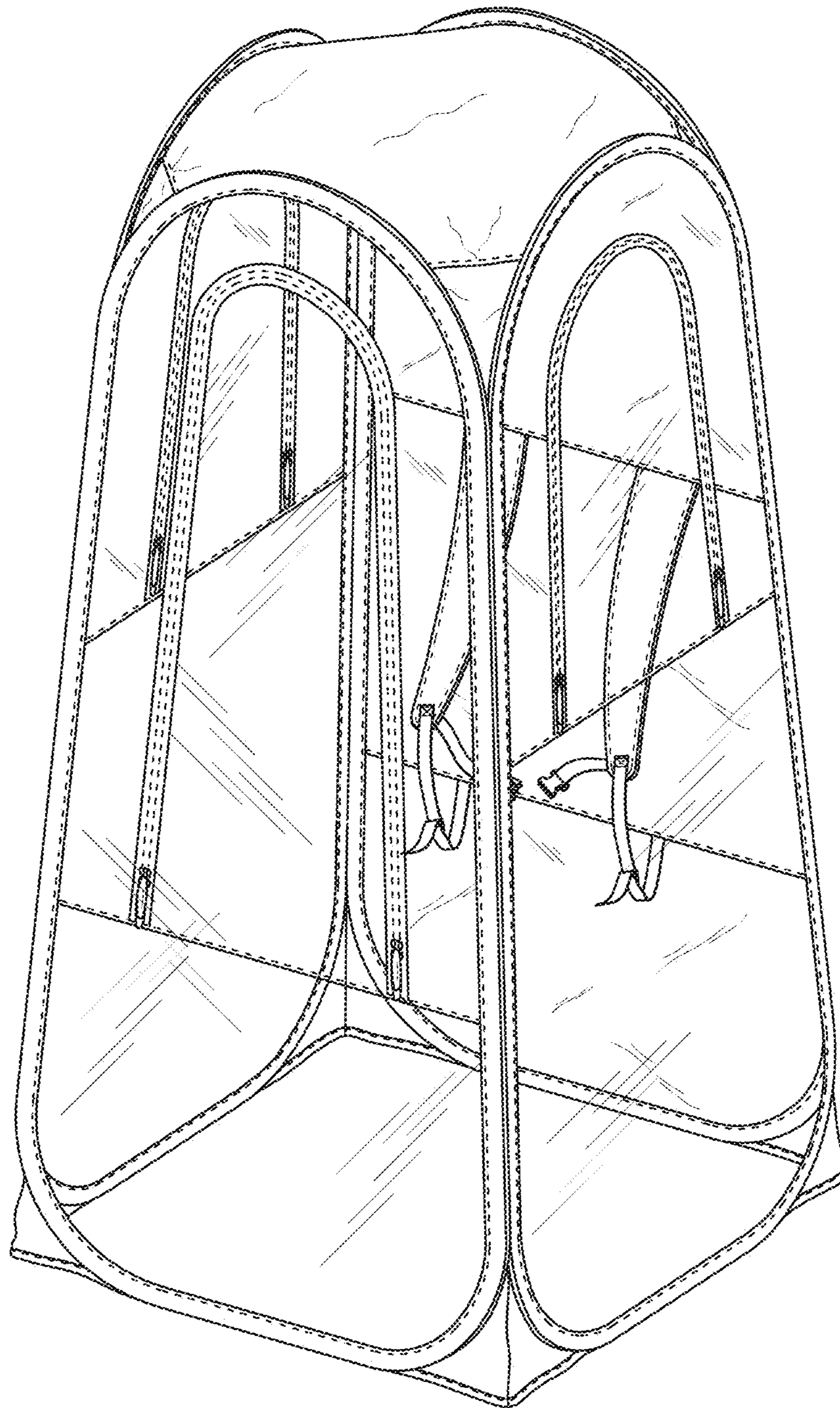


FIG. 1

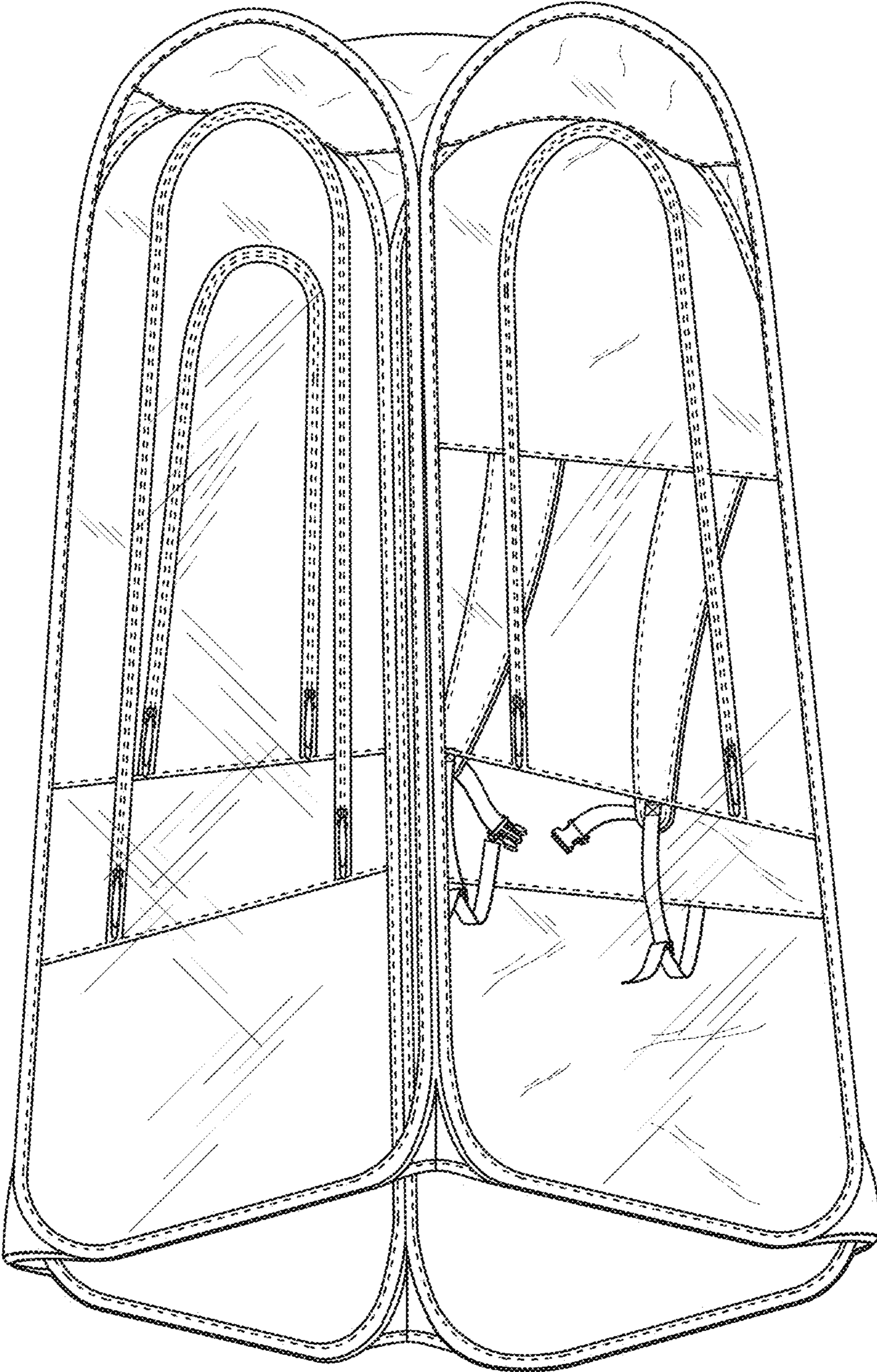


FIG. 2

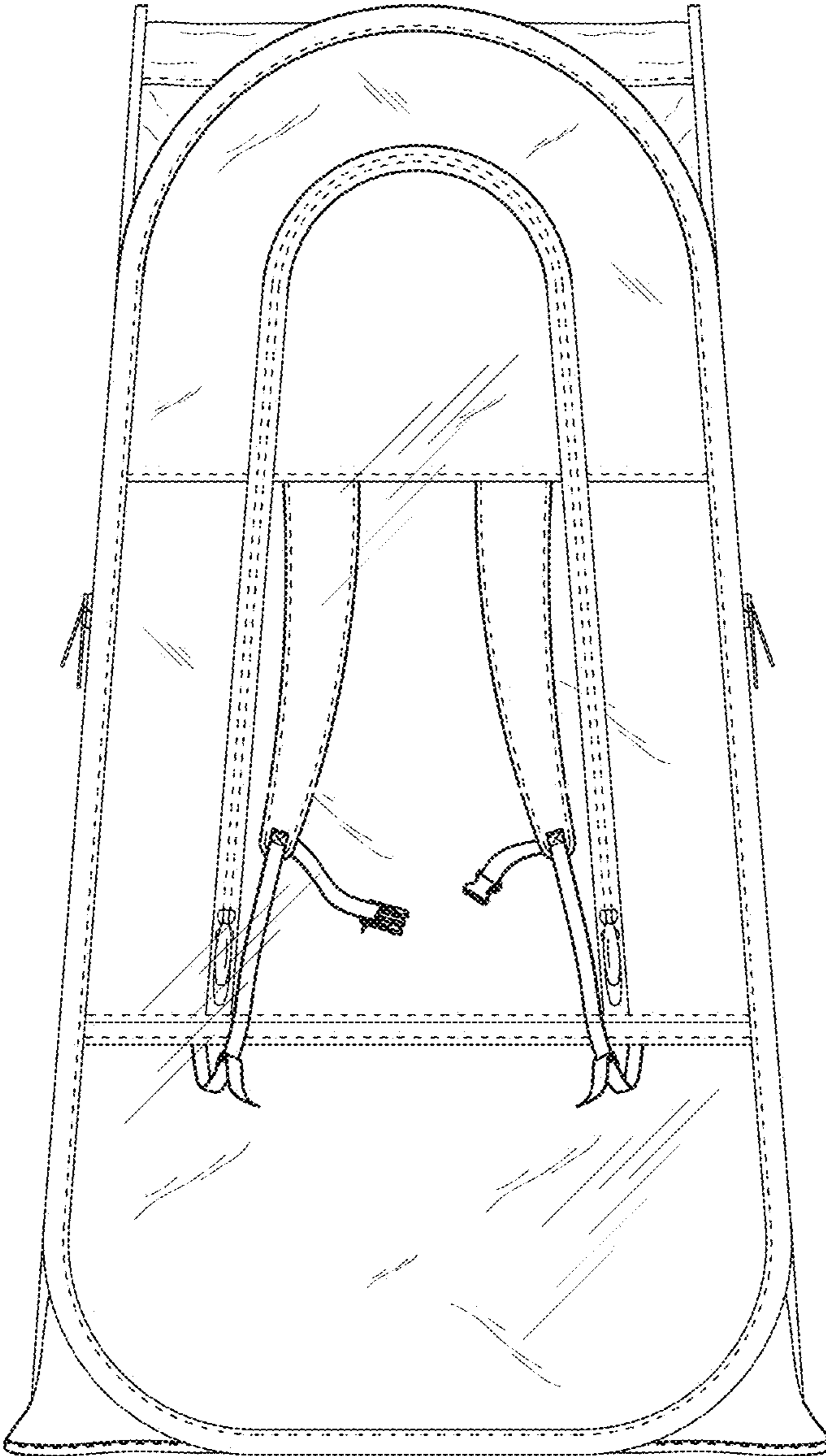


FIG. 3

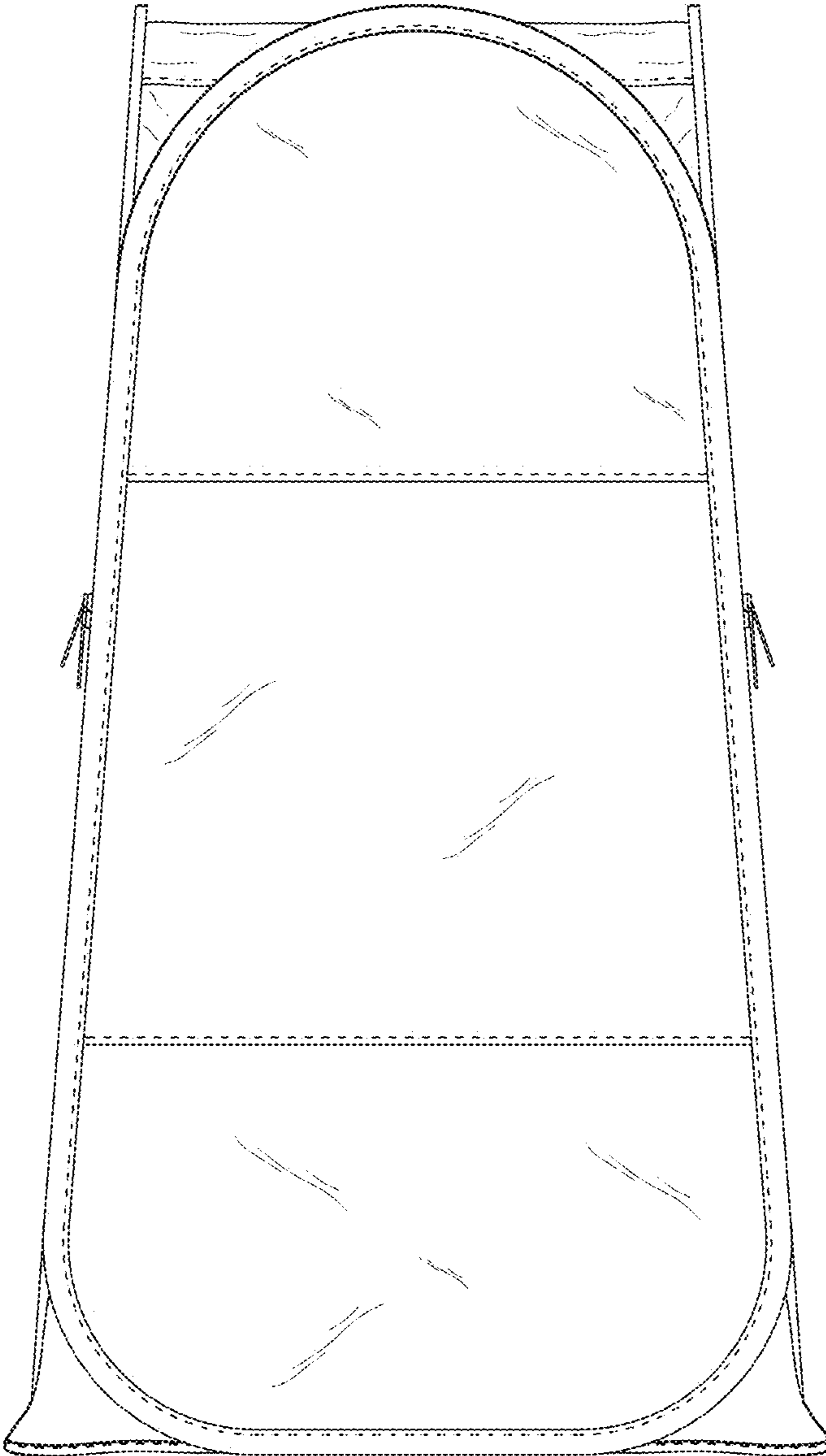


FIG. 4

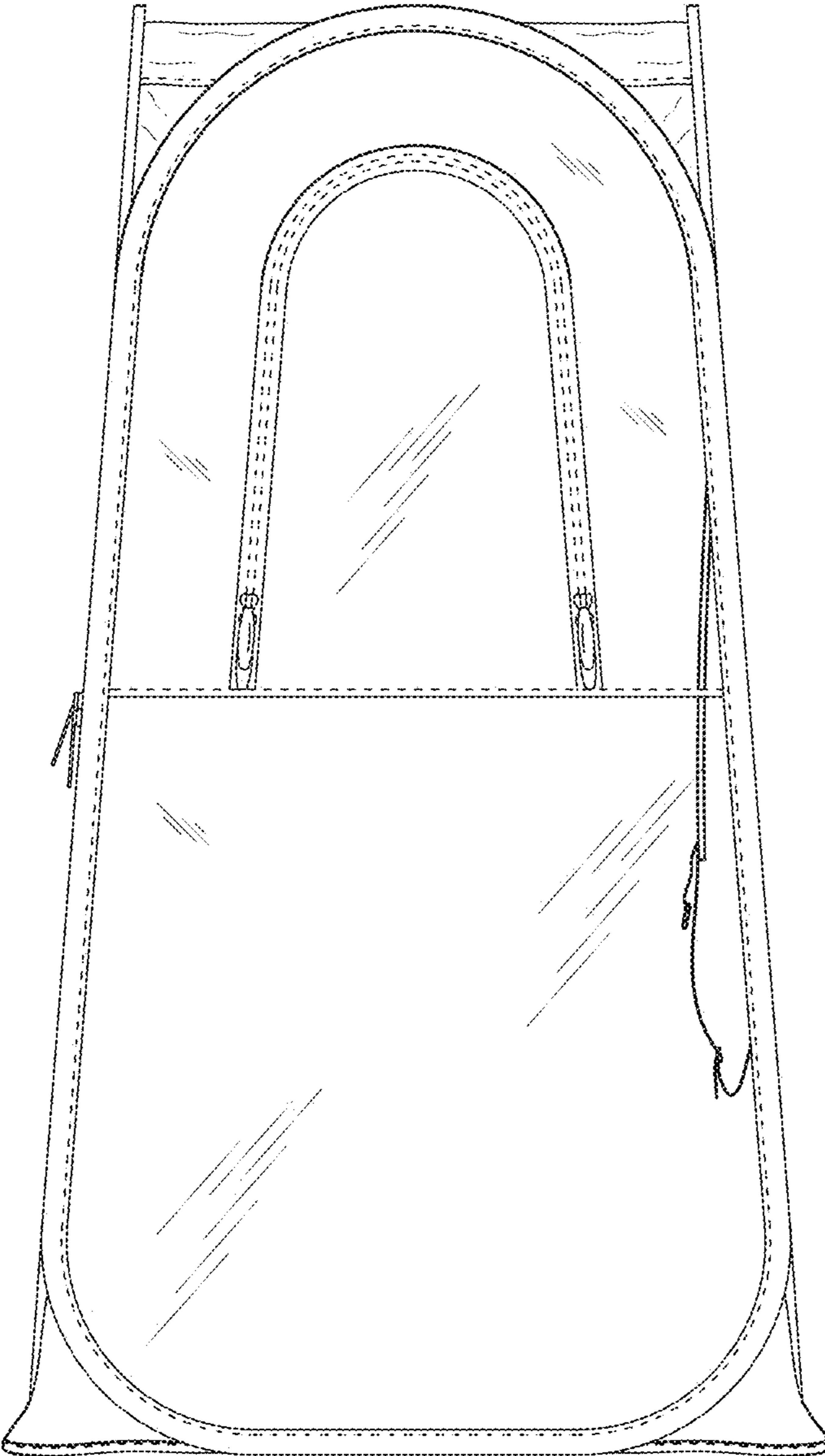


FIG. 5

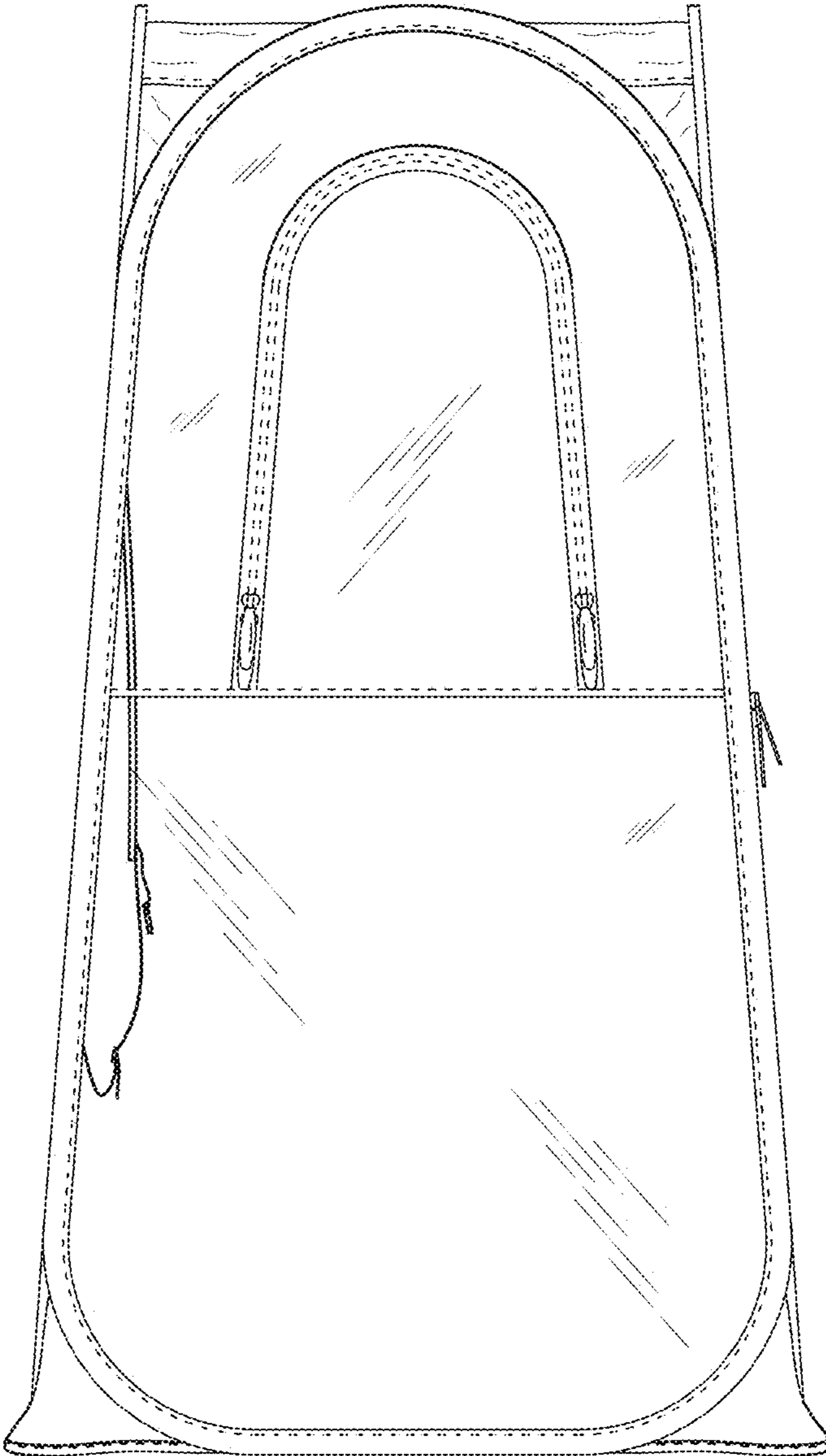


FIG. 6



FIG. 7

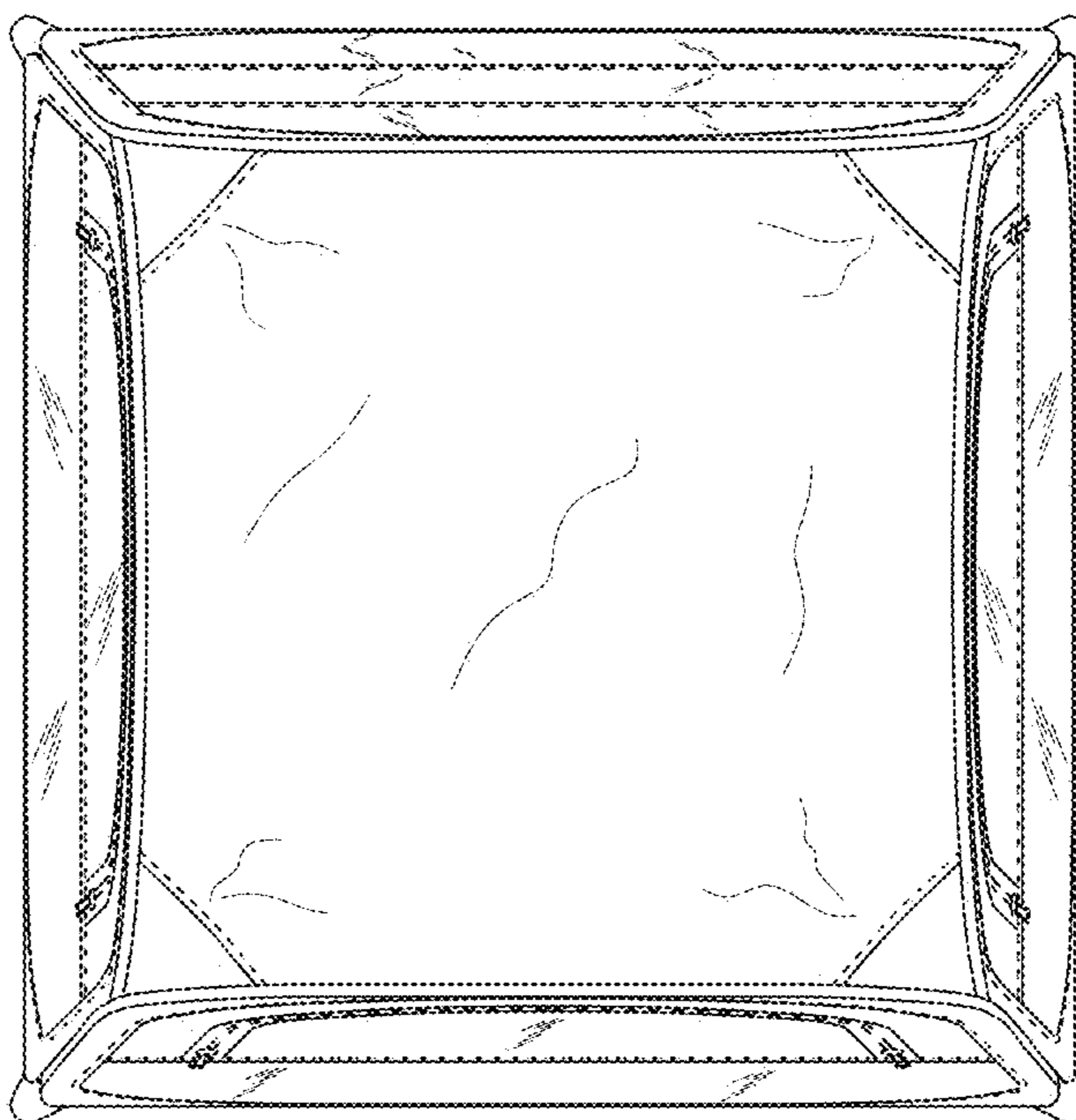
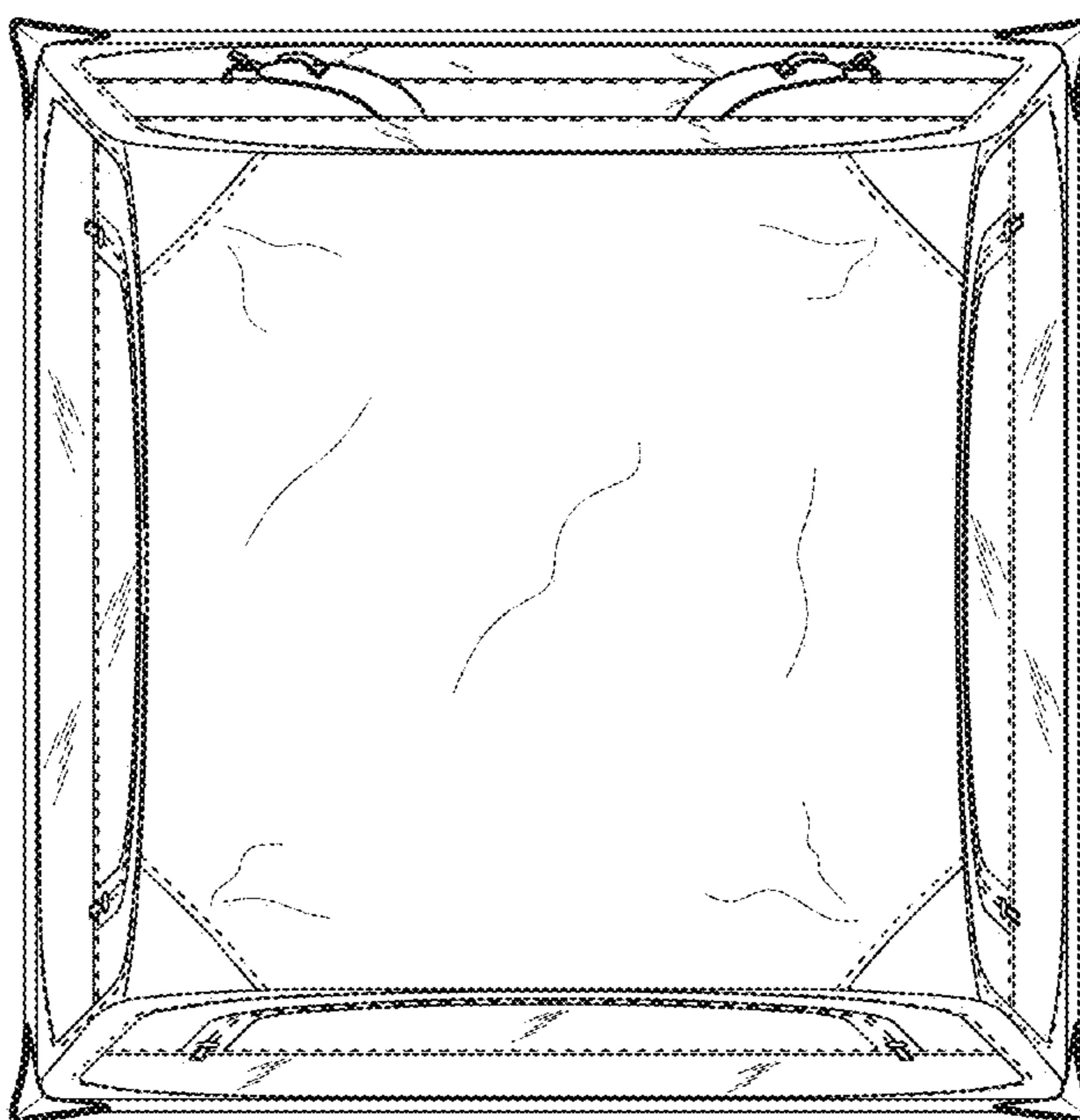


FIG. 8



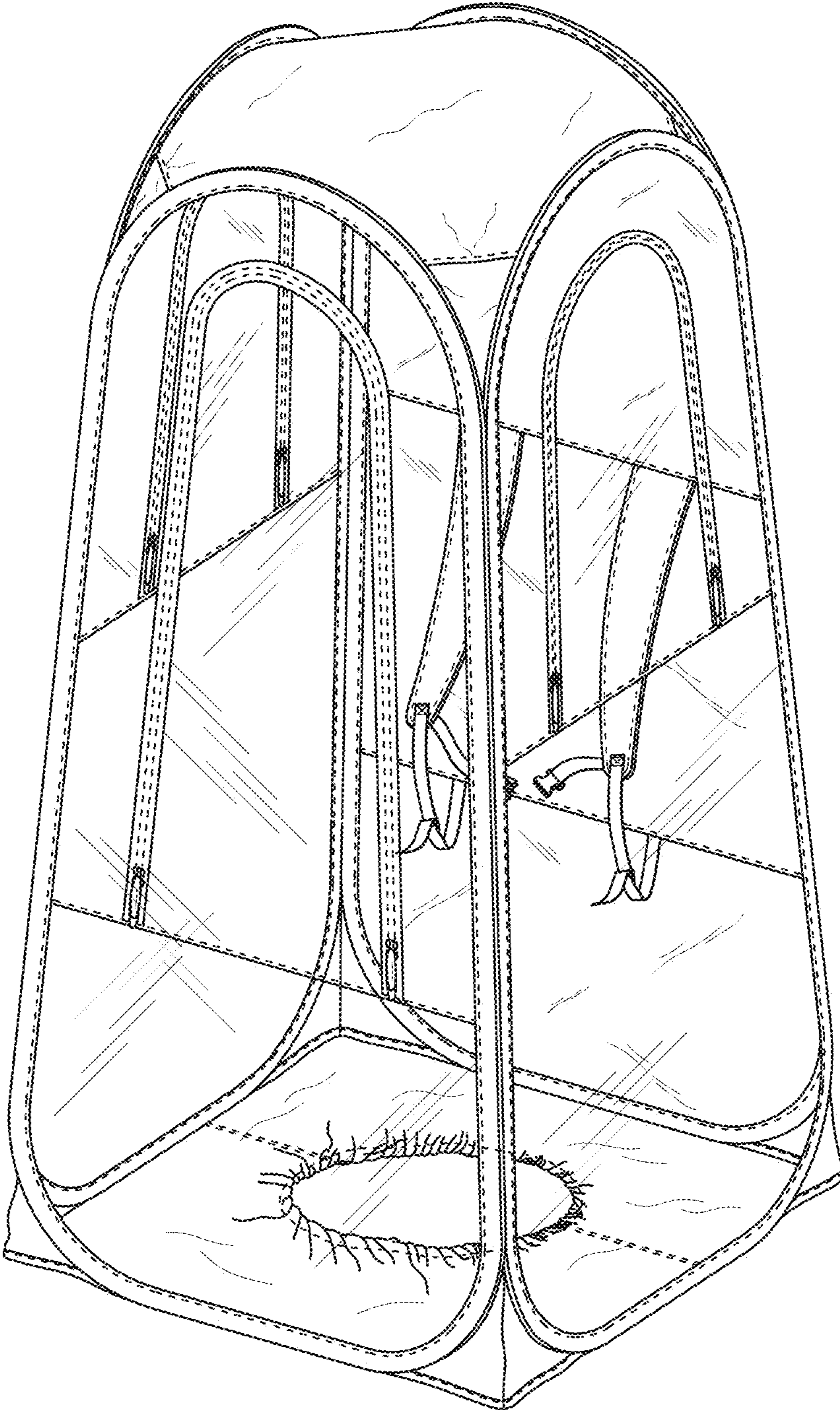


FIG. 9

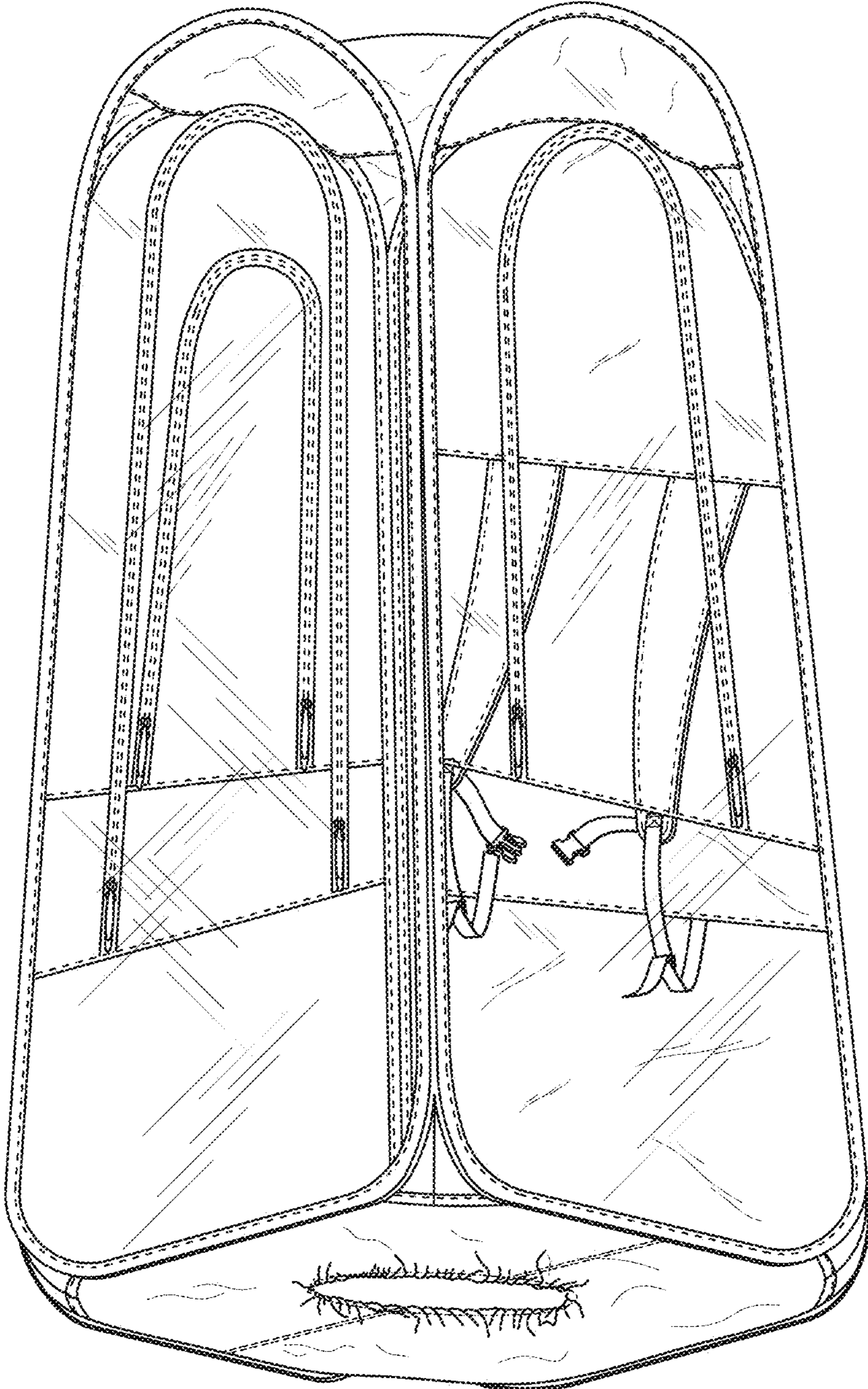


FIG. 10

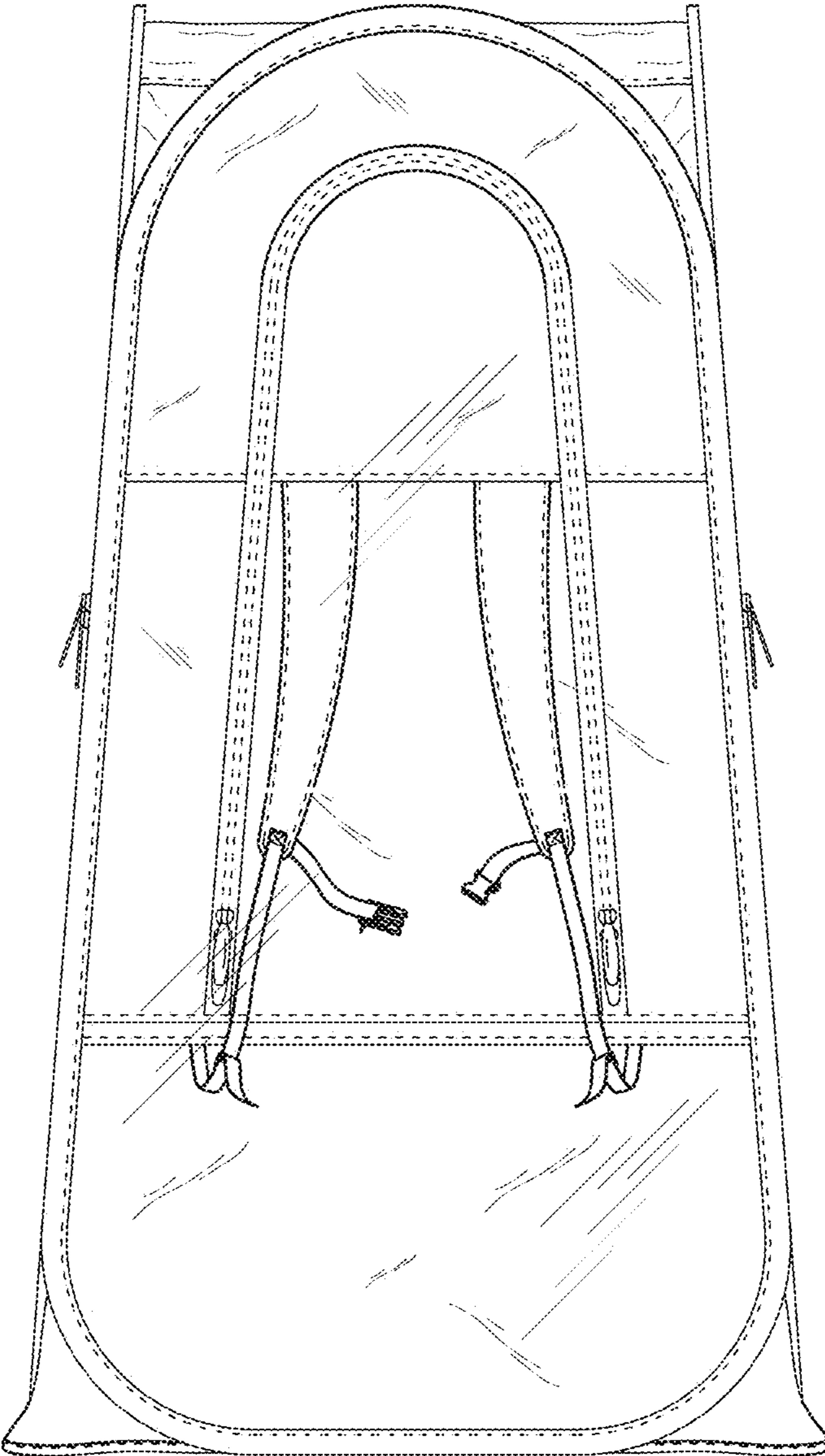


FIG. 11

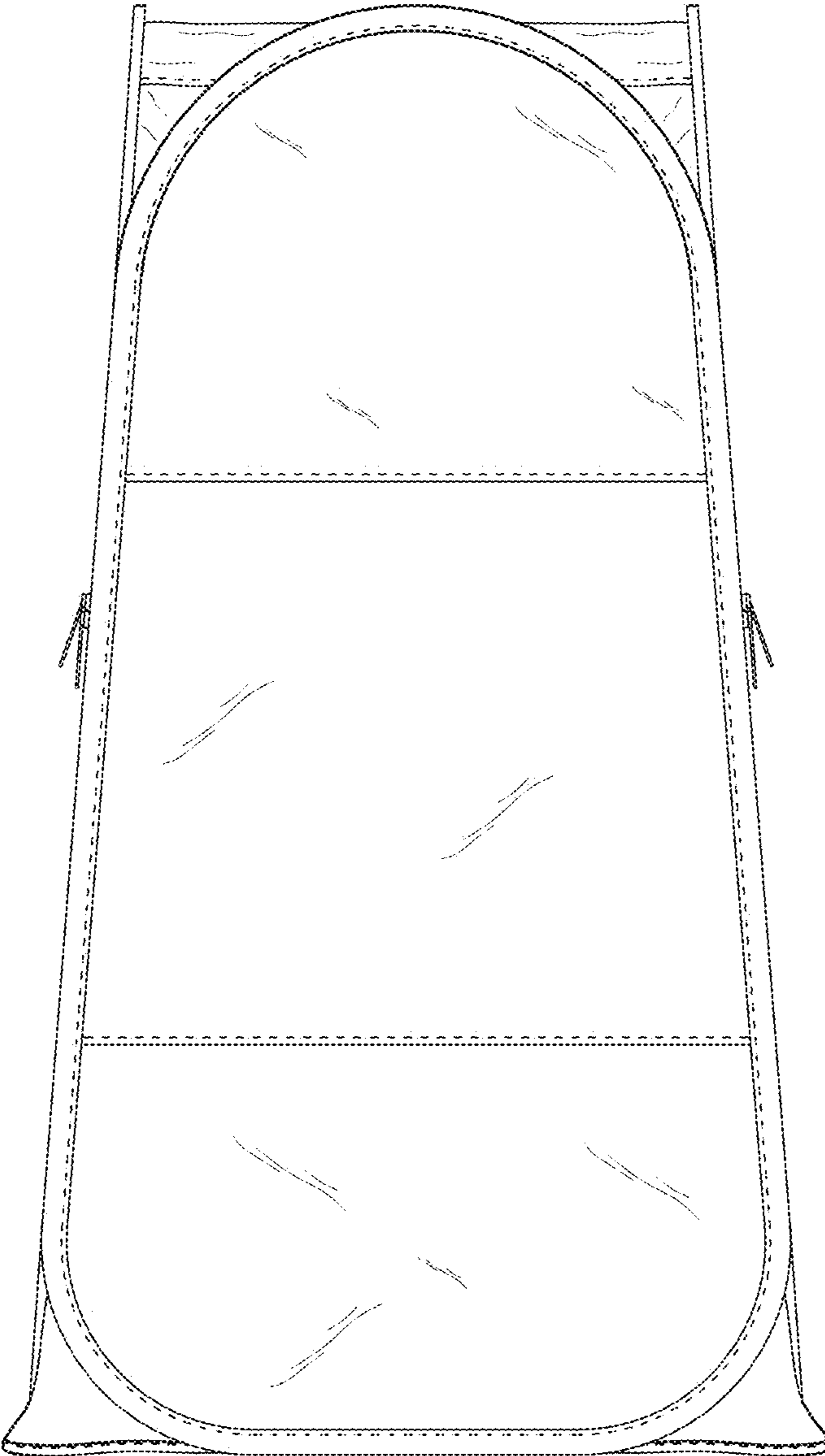


FIG. 12

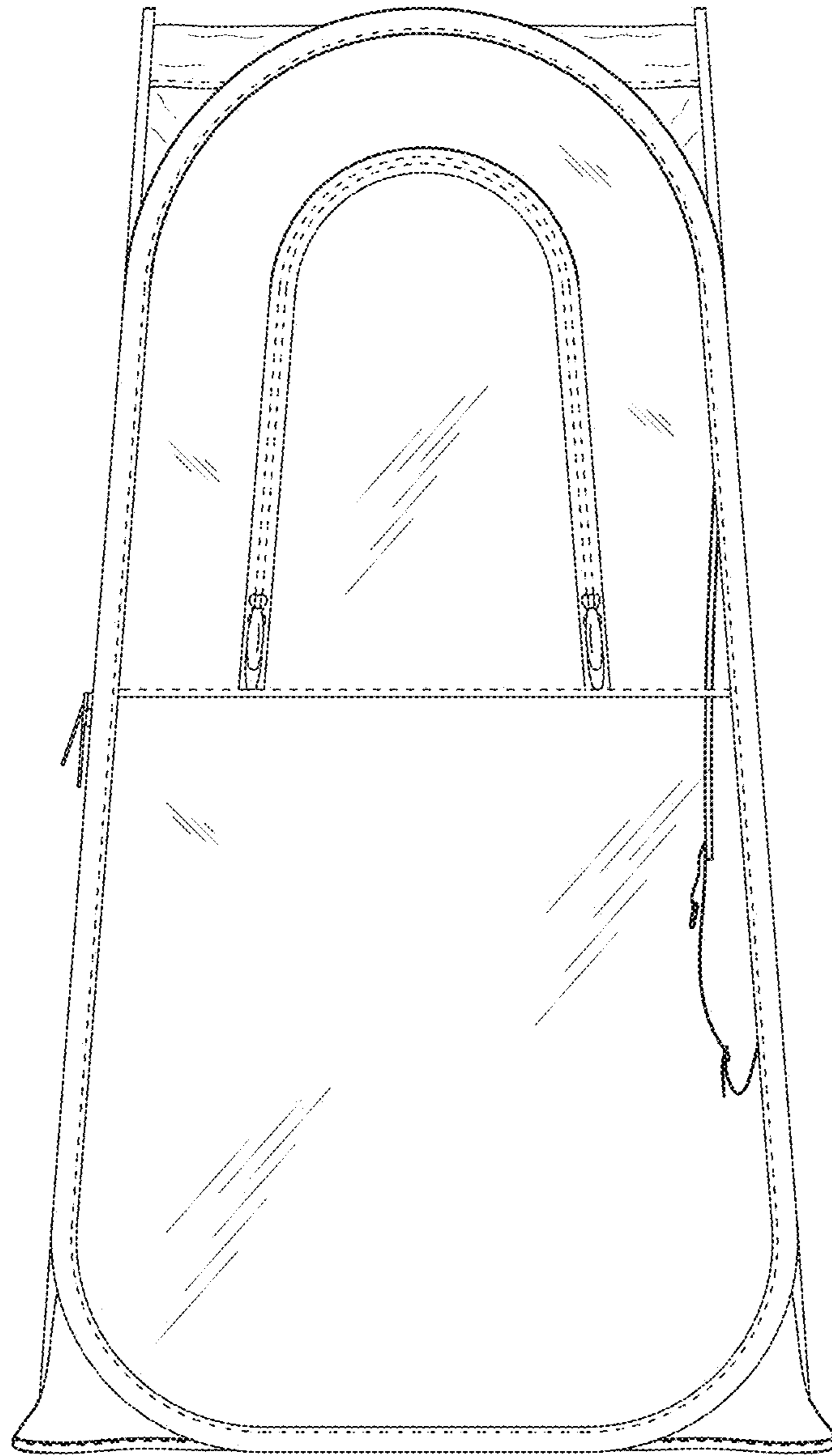


FIG. 13

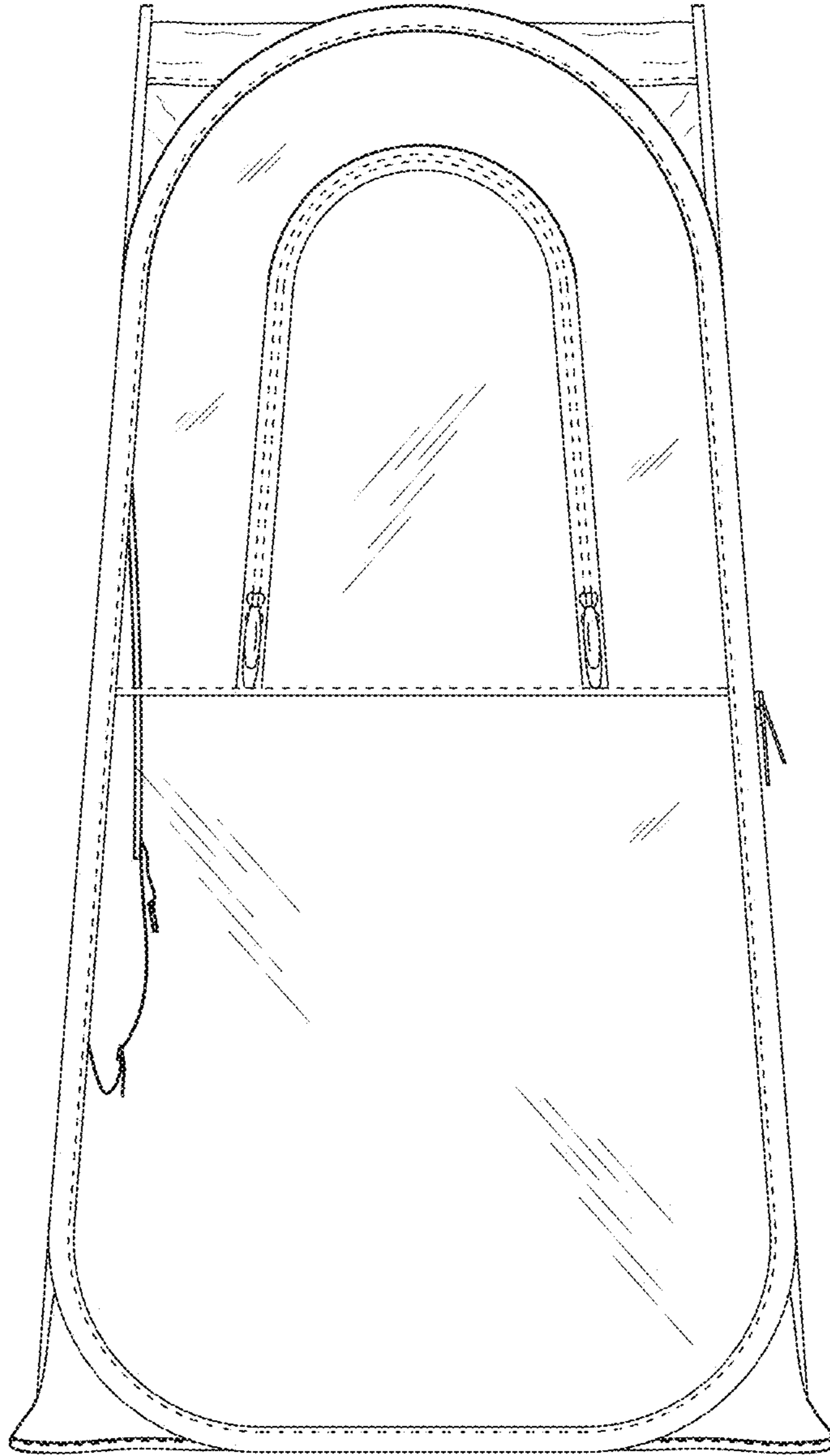


FIG. 14

FIG. 15

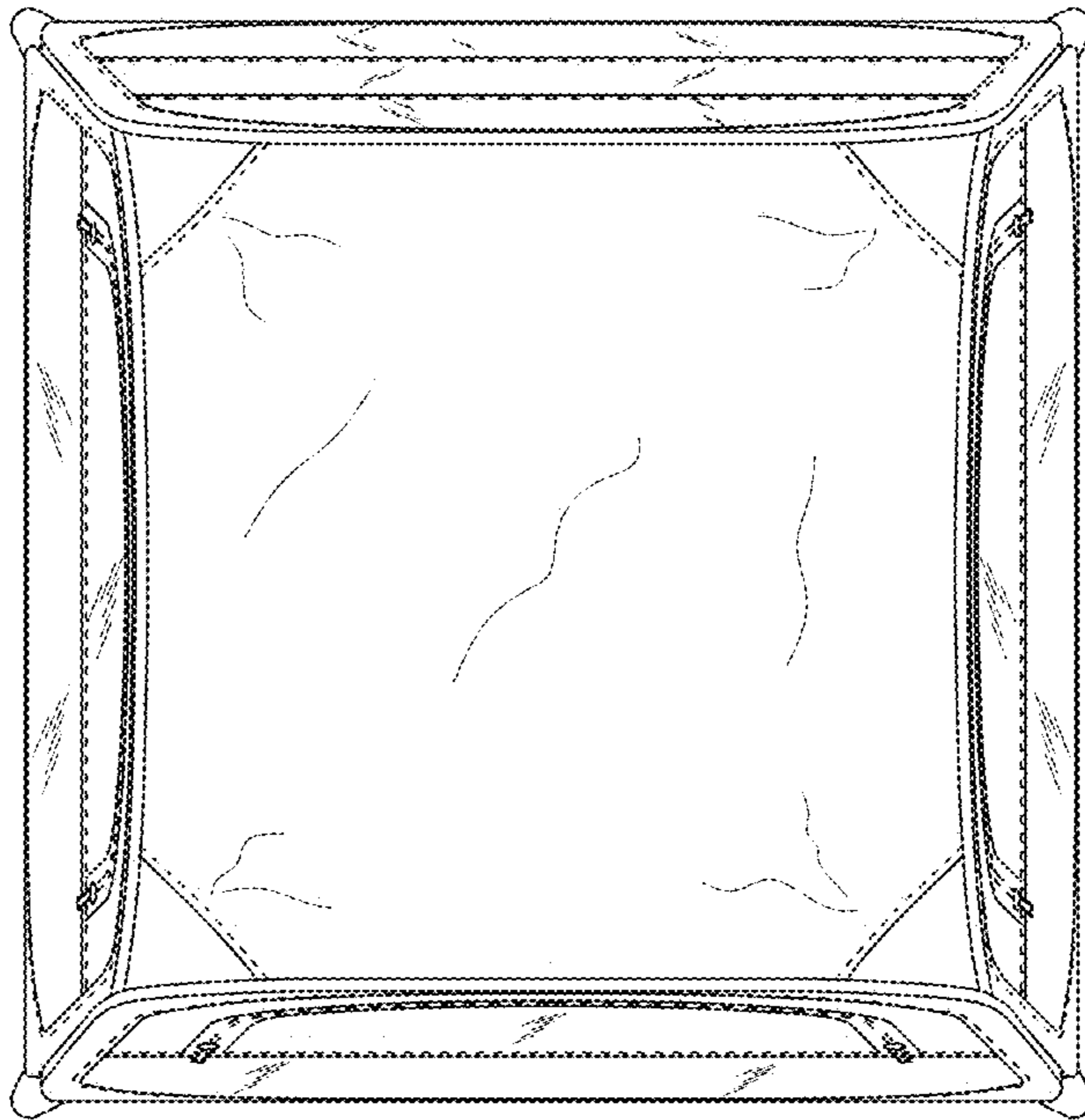


FIG. 16

