



US00D875195S

(12) **United States Design Patent**
Serrano

(10) **Patent No.:** **US D875,195 S**

(45) **Date of Patent:** **** Feb. 11, 2020**

(54) **GOLF CLUB HEAD**

(71) Applicant: **KARSTEN MANUFACTURING CORPORATION**, Phoenix, AZ (US)

(72) Inventor: **Anthony D. Serrano**, Anthem, AZ (US)

(73) Assignee: **Karsten Manufacturing Corporation**, Phoenix, AZ (US)

(**) Term: **15 Years**

(21) Appl. No.: **29/665,404**

(22) Filed: **Oct. 3, 2018**

(51) **LOC (12) Cl.** **21-02**

(52) **U.S. Cl.**
USPC **D21/743**

(58) **Field of Classification Search**
USPC D21/736-746, 759
CPC A63B 53/00; A63B 53/04; A63B 53/007;
A63B 53/065; A63B 53/0487; A63B
60/00; A63B 60/46

See application file for complete search history.

(56) **References Cited**

U.S. PATENT DOCUMENTS

3,884,477	A	5/1975	Bianco	
4,030,766	A	6/1977	Derr	
D316,129	S	4/1991	Bryson	
D375,131	S	10/1996	Williams	
5,685,784	A	11/1997	Butler	
D399,900	S	10/1998	Hogan	
6,159,108	A	12/2000	De La Pena	
6,379,259	B1	4/2002	Opie	
D474,821	S *	5/2003	Wells	D21/743
D486,872	S *	2/2004	Schweigert	D21/736
D488,200	S	4/2004	Olsavsky	
D488,529	S	4/2004	Souza	
D496,417	S	9/2004	Tang	

D500,109	S	12/2004	Solheim
D500,110	S	12/2004	Solheim
6,837,801	B1	1/2005	Souza
6,878,071	B1	4/2005	Schweiger
6,893,355	B2	5/2005	Souza
6,902,496	B2	6/2005	Solheim
D507,612	S	7/2005	Souza
6,926,615	B1	8/2005	Souza
6,960,140	B2	11/2005	Solheim
6,966,845	B2	11/2005	Solheim
D520,584	S	5/2006	Karlsen
D521,582	S	5/2006	Souza
7,052,411	B2	5/2006	Solheim

(Continued)

OTHER PUBLICATIONS

Srixon P-409 Putter, 2nd Swing Golf, obtained at: <https://www.2ndswing.com/srixon/golf-putters/p-409/> (last visited Dec. 17, 2019).

Primary Examiner — Mitchell I. Siegel

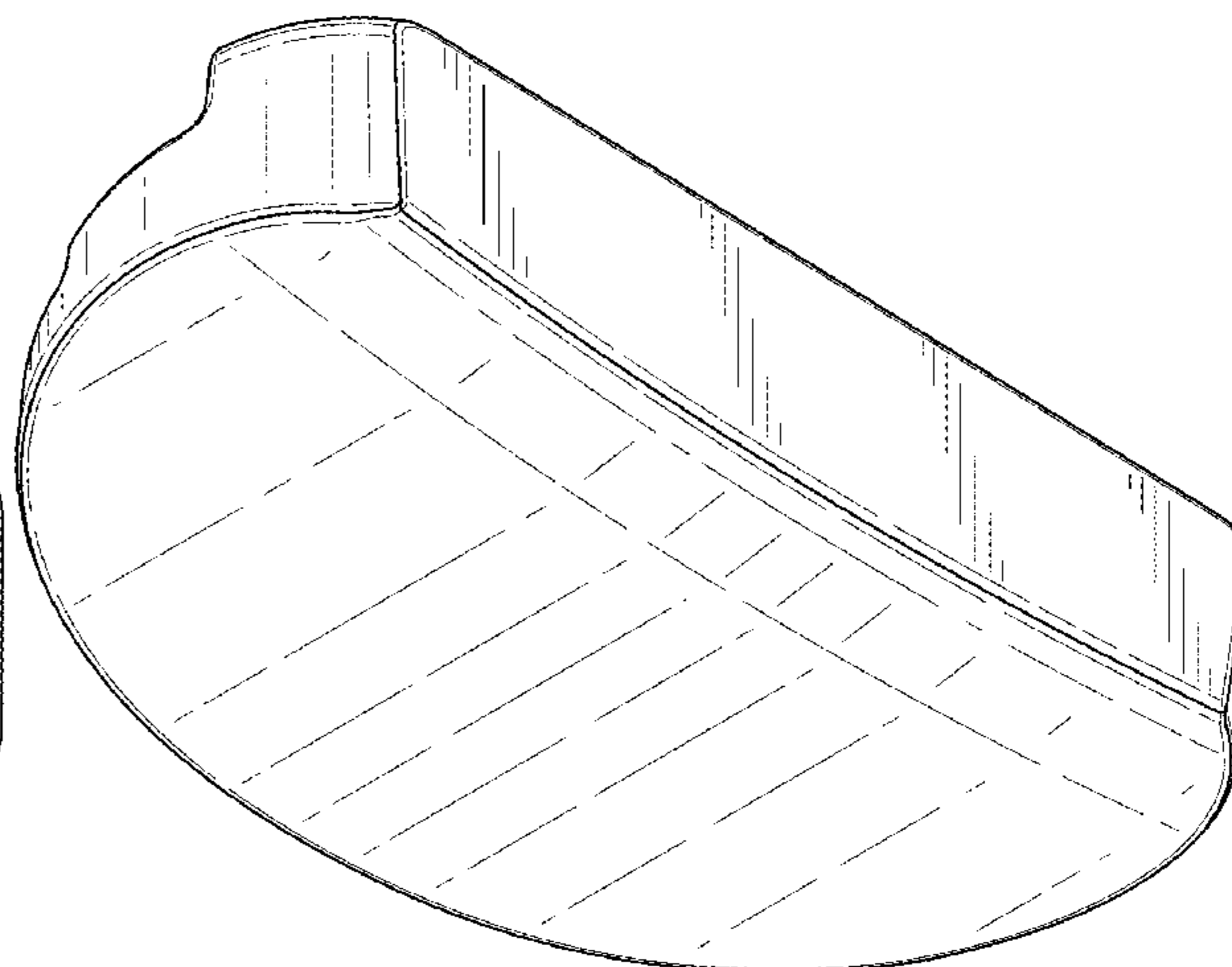
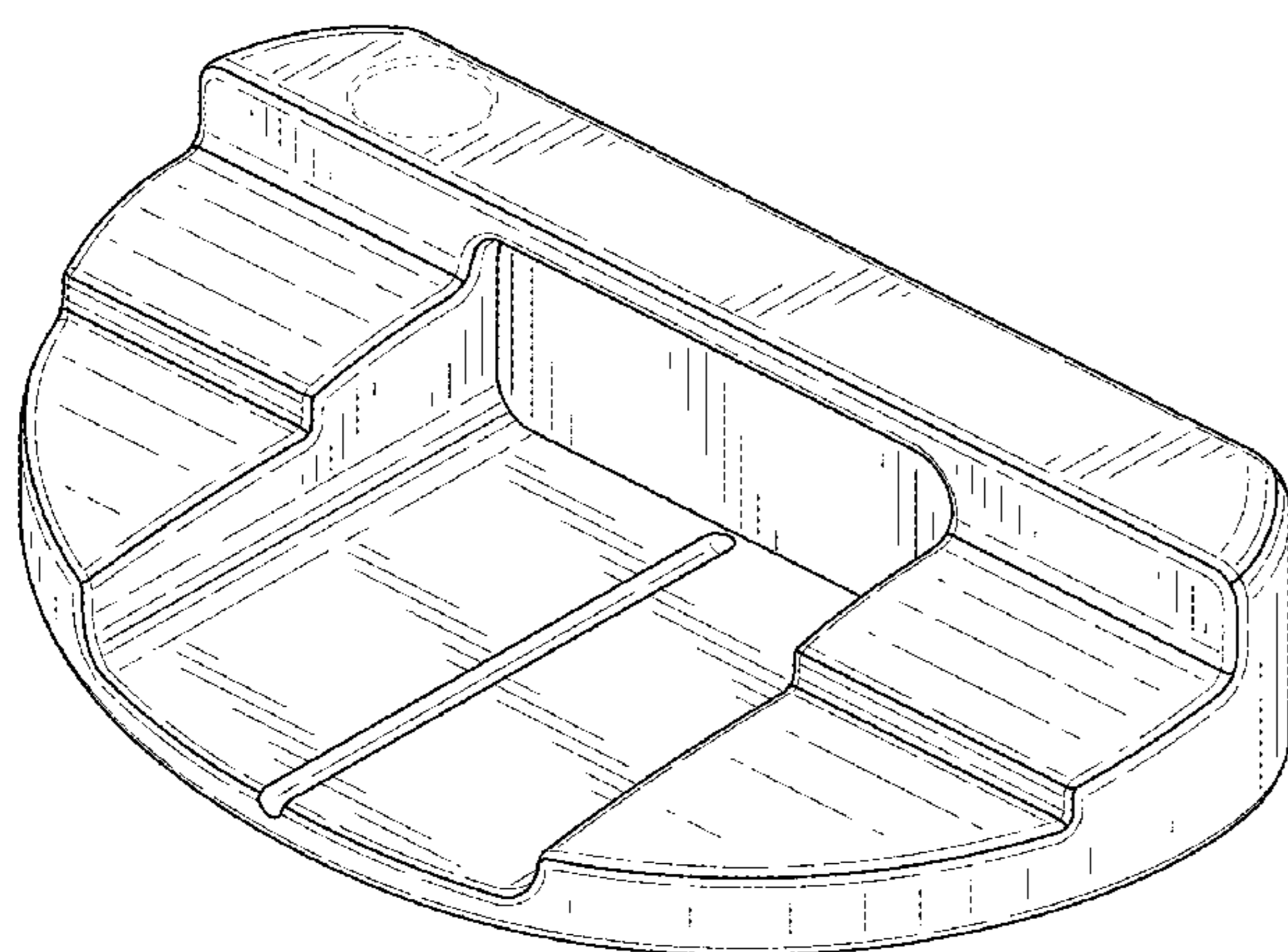
(57) **CLAIM**

The ornamental design for a golf club head, as shown and described.

DESCRIPTION

FIG. 1 is a top perspective view of a golf club head; FIG. 2 is a bottom perspective view of the golf club head of FIG. 1; FIG. 3 is a top view of the golf club head of FIG. 1; FIG. 4 is a bottom view of the golf club head of FIG. 1; FIG. 5 is a front view of the golf club head of FIG. 1; FIG. 6 is a rear view of the golf club head of FIG. 1; FIG. 7 is a toe side view of the golf club head of FIG. 1; and, FIG. 8 is a heel side view of the golf club head of FIG. 1. The broken line showing is included for the purpose of illustrating unclaimed subject matter and forms no part of the claimed design.

1 Claim, 5 Drawing Sheets



(56)

References Cited

U.S. PATENT DOCUMENTS

D522,598 S 6/2006 Solheim
 7,077,758 B2 7/2006 Rohrer
 7,086,957 B2 8/2006 Solheim
 D527,777 S 9/2006 Solheim
 D529,108 S 9/2006 Stites
 D532,847 S 11/2006 Rollinson
 D533,243 S 12/2006 Fife
 7,235,021 B2 6/2007 Solheim
 D548,295 S 8/2007 Jertson
 7,255,650 B2 8/2007 Bryant
 D552,197 S 10/2007 Wells
 D565,137 S 3/2008 Oldknow
 D569,460 S 5/2008 Walker
 D569,462 S 5/2008 Rollinson
 D571,879 S 5/2008 Jones et al.
 D574,907 S 8/2008 Jones et al.
 D581,473 S 11/2008 Thomas
 D583,003 S 12/2008 Solheim
 D583,886 S * 12/2008 Cameron D21/743
 D587,325 S 2/2009 Solheim
 D594,073 S 6/2009 Kadoya
 D595,372 S 6/2009 Rollinson
 D600,760 S 9/2009 Serrano
 D600,761 S 9/2009 Solheim
 D600,762 S 9/2009 Serrano
 D607,950 S 1/2010 Souza
 D621,458 S 8/2010 Serrano
 D621,460 S 8/2010 Serrano
 D621,461 S 8/2010 Serrano
 D621,462 S 8/2010 Serrano

D621,891 S 8/2010 Serrano
 7,803,066 B2 9/2010 Solheim
 D638,891 S 5/2011 Nicolette
 D640,341 S 6/2011 Foster
 D641,057 S * 7/2011 Rollinson D21/744
 D641,440 S * 7/2011 Hettinger D21/743
 D641,442 S * 7/2011 Rollinson D21/744
 D643,080 S 8/2011 Serrano
 D643,485 S 8/2011 Nicolette
 D643,486 S 8/2011 Serrano
 D643,487 S 8/2011 Serrano
 8,100,779 B2 1/2012 Solheim
 8,109,838 B2 1/2012 Solheim
 D653,718 S 2/2012 Stokke
 D664,617 S 7/2012 Serrano
 D688,762 S * 8/2013 Hilton D21/736
 D690,378 S * 9/2013 Rollinson D21/743
 D691,681 S * 10/2013 Hilton D21/736
 D715,388 S 10/2014 Serrano
 D723,641 S 3/2015 Serrano
 D733,233 S * 6/2015 Dolezel D21/742
 D735,283 S 7/2015 Solheim
 D754,805 S 6/2016 Serrano
 D777,268 S * 1/2017 Becktor D21/742
 D826,353 S * 8/2018 Cameron D21/736
 D835,218 S * 12/2018 Rollinson D21/743
 2005/0170904 A1 8/2005 Smeeth
 2006/0094533 A1 5/2006 Warren
 2006/0166755 A1 7/2006 Brown
 2007/0191135 A1 8/2007 Nilsson
 2010/0227704 A1 9/2010 Souza
 2015/0080148 A1 * 3/2015 Cameron A63B 53/0487
 473/340

* cited by examiner

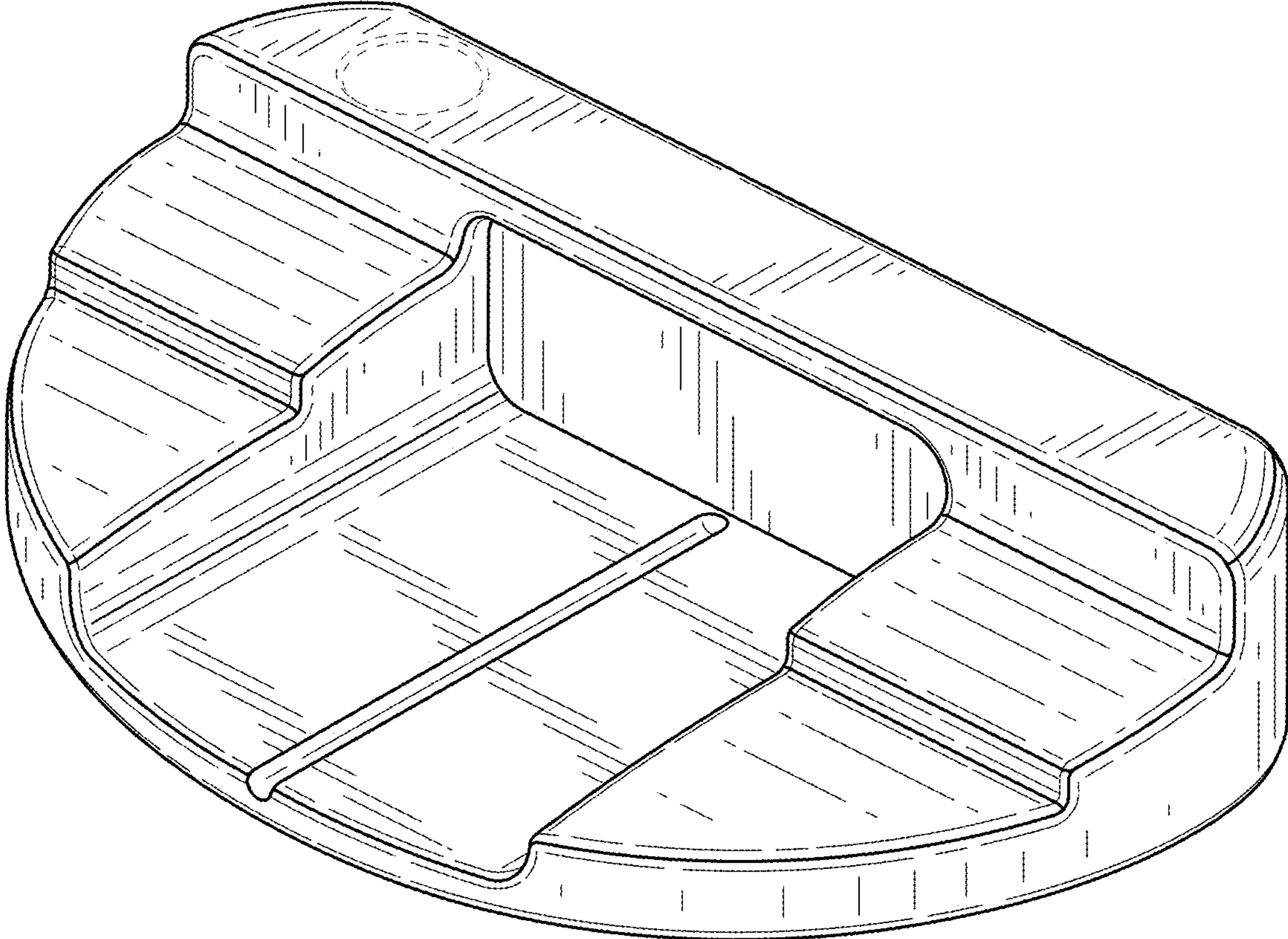


FIG. 1

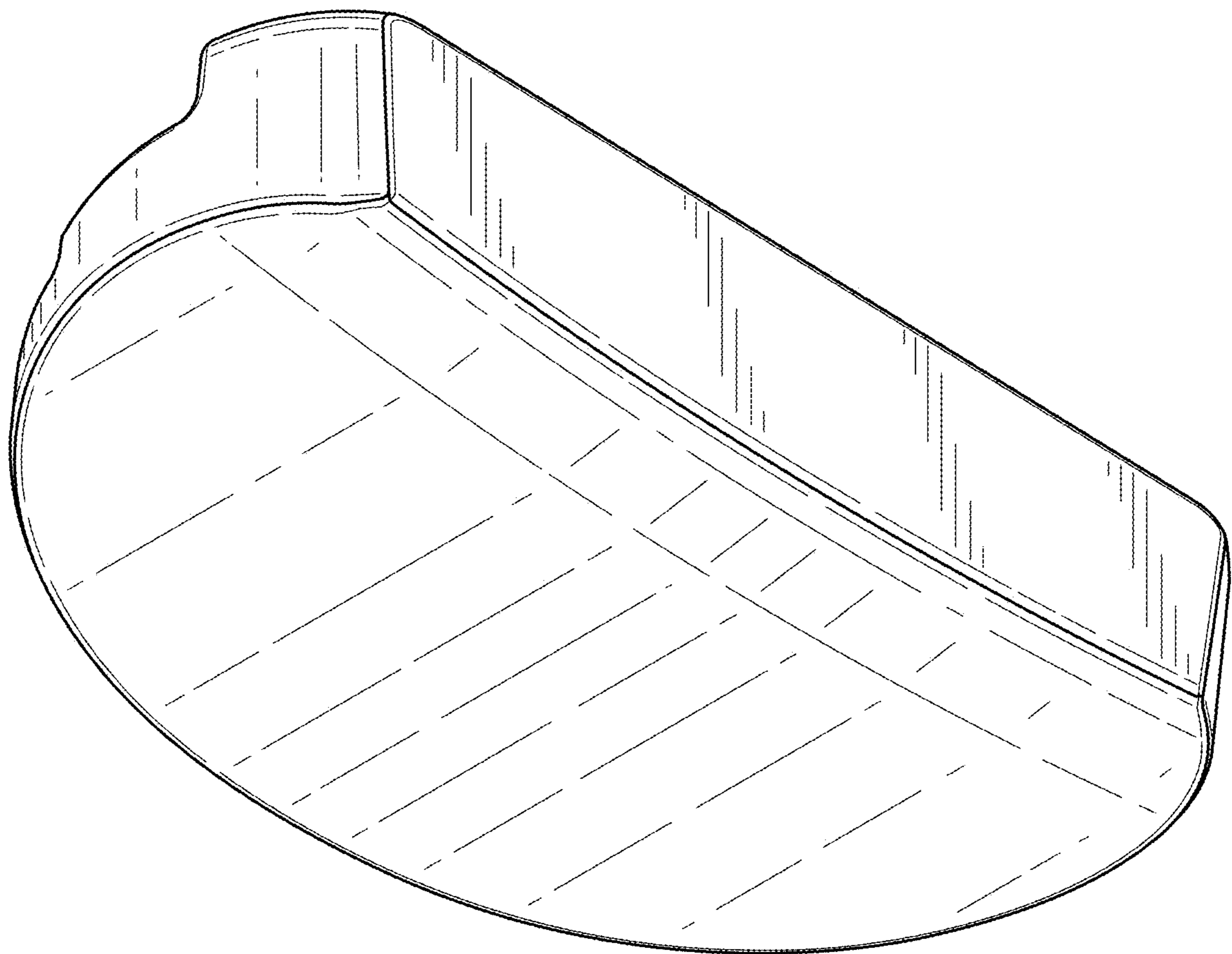


FIG. 2

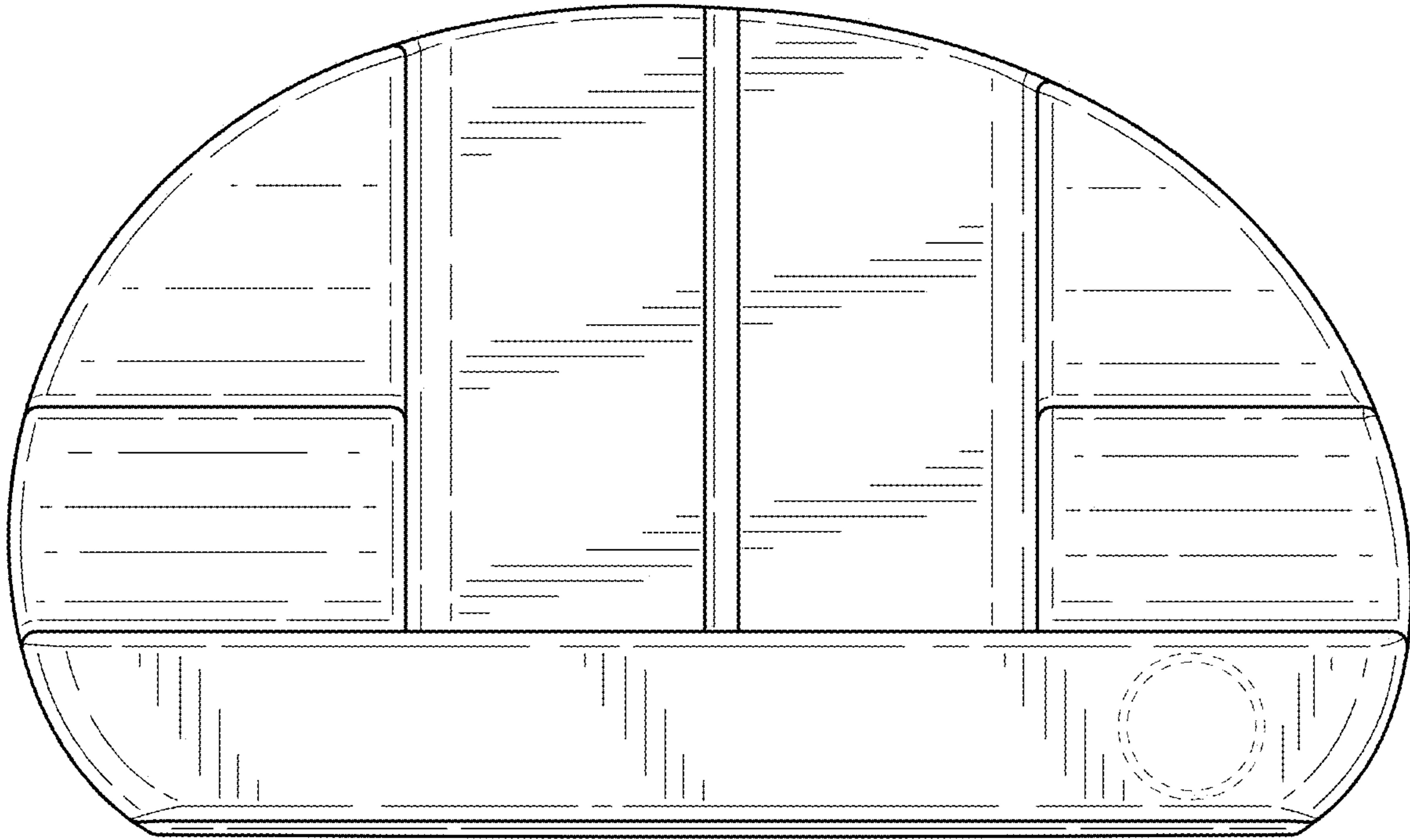


FIG. 3

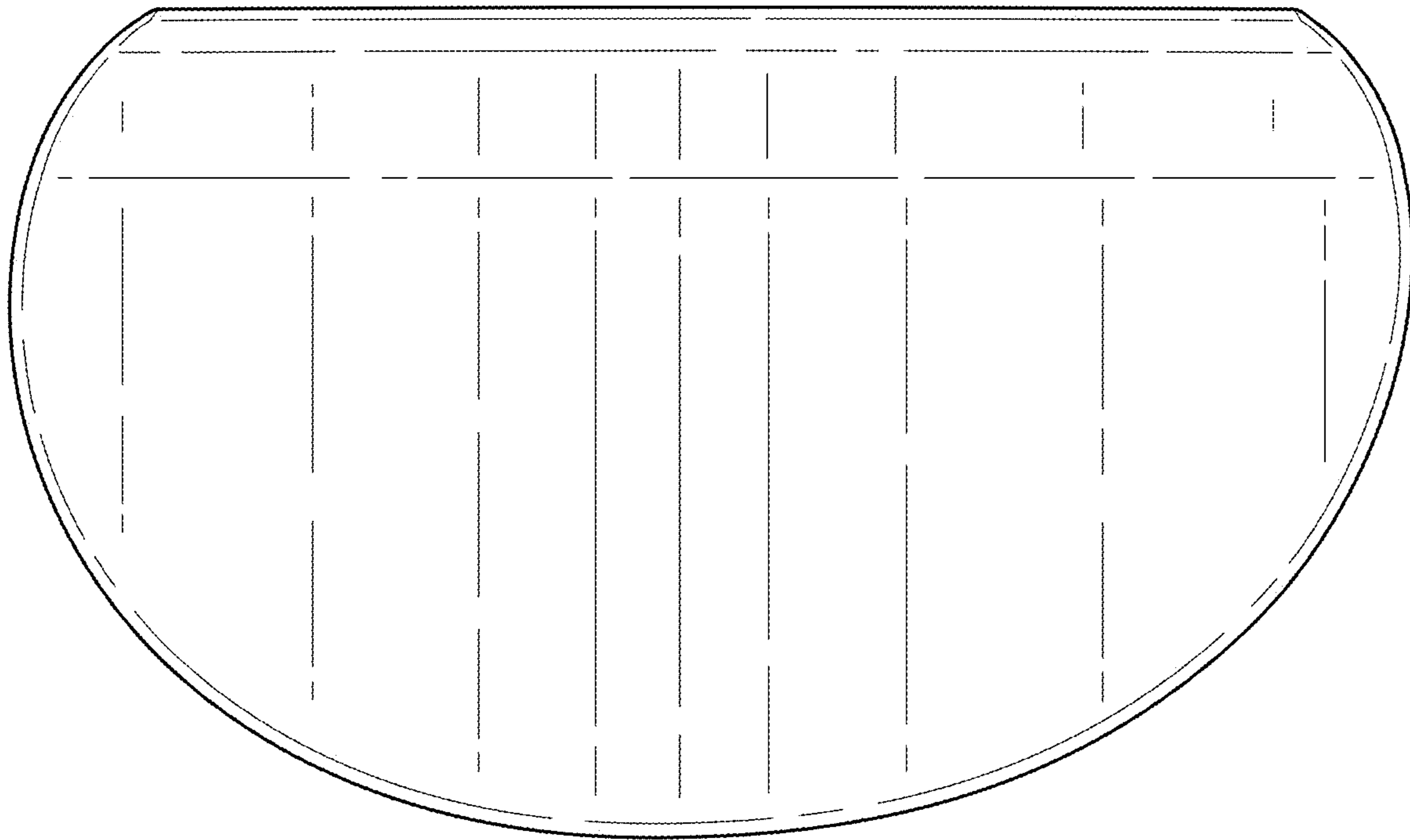


FIG. 4

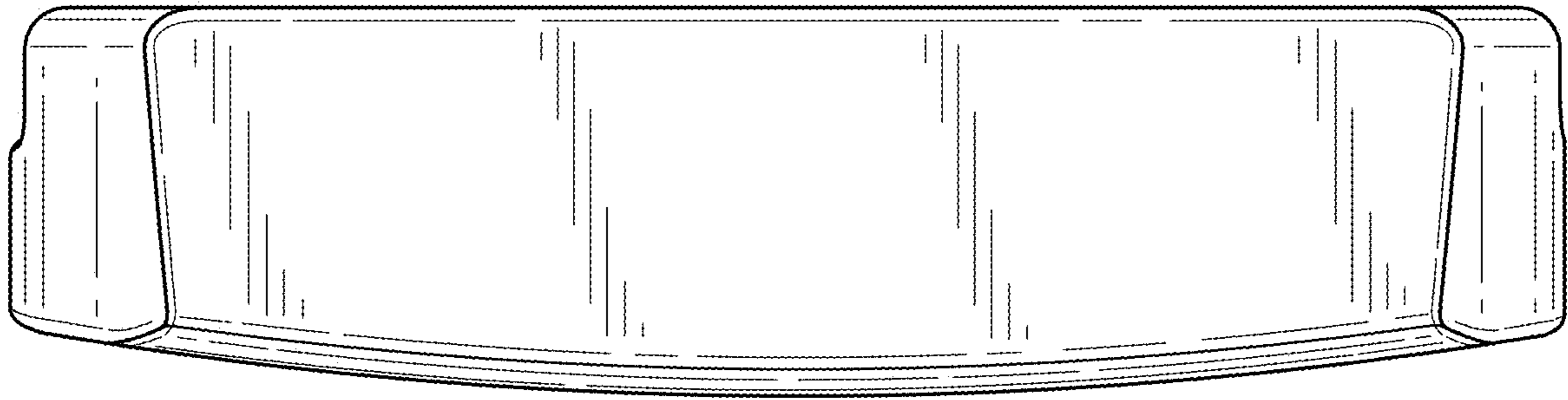


FIG. 5

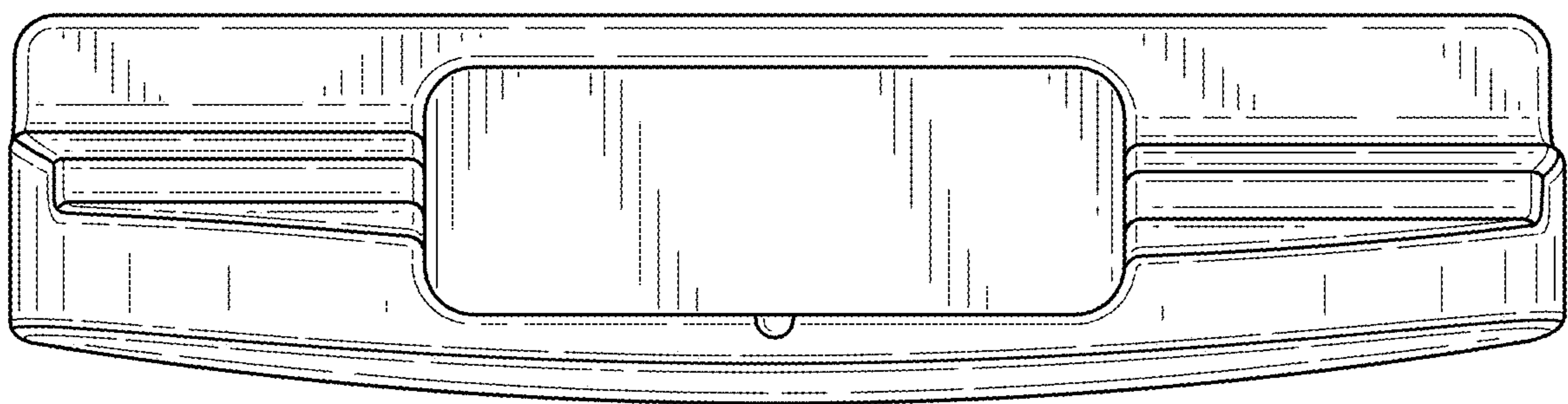


FIG. 6

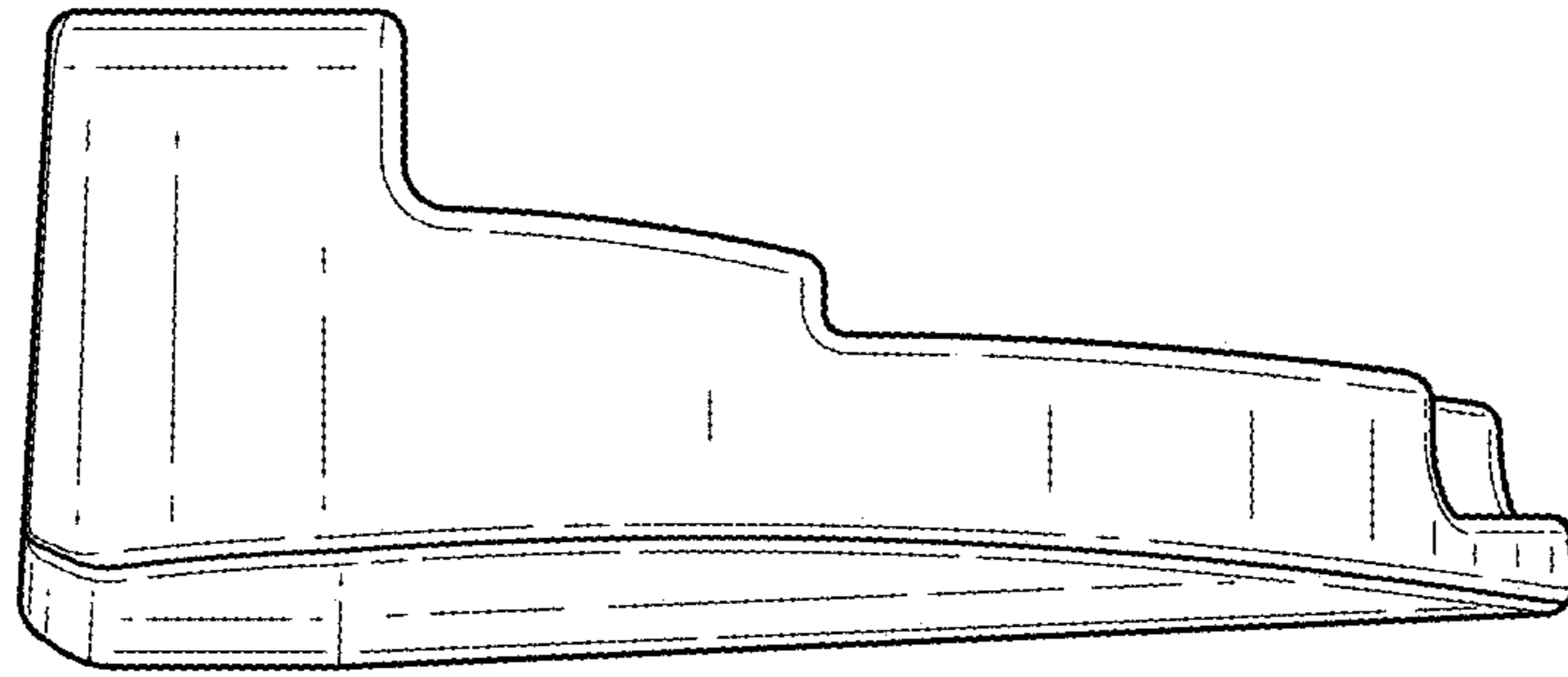


FIG. 7

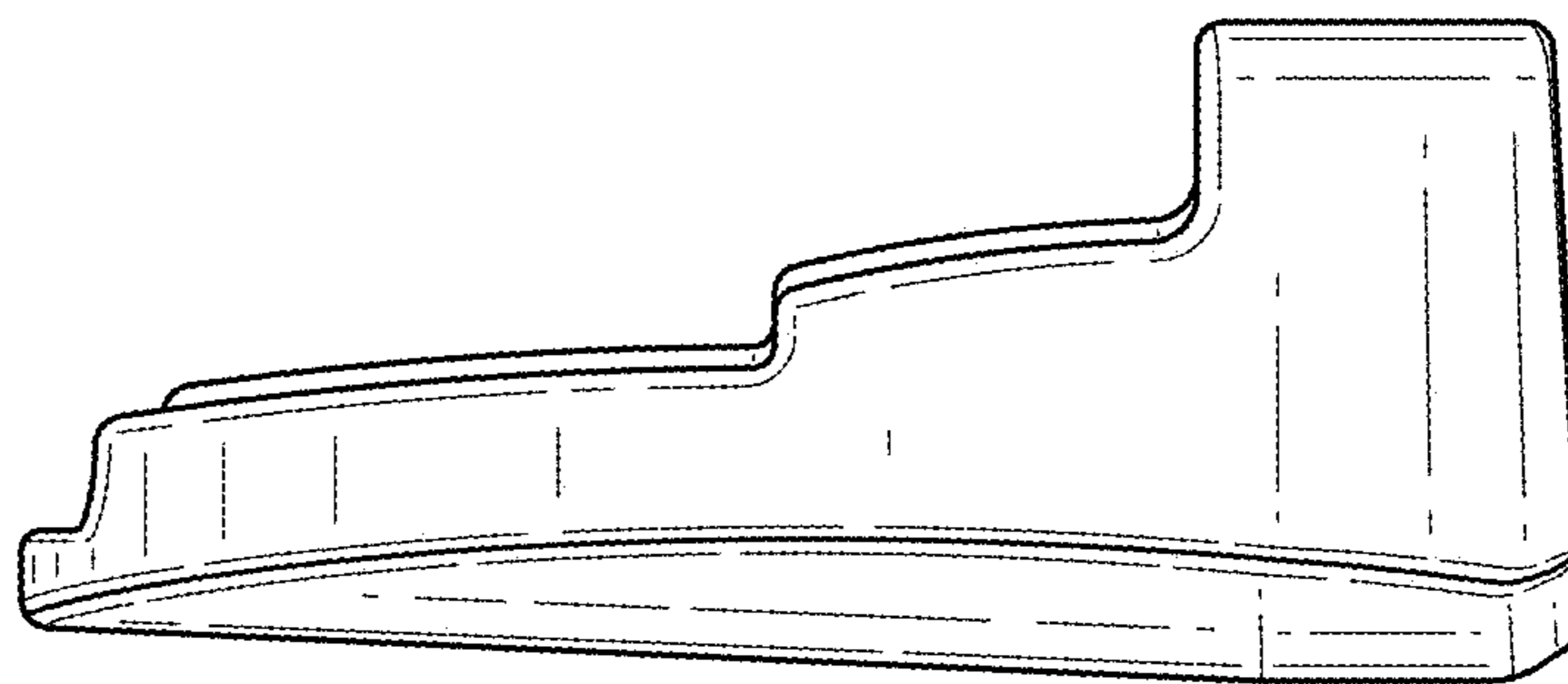


FIG. 8