



US00D875193S

(12) **United States Design Patent** (10) **Patent No.:** **US D875,193 S**  
**Szónyi** (45) **Date of Patent:** **\*\* \*Feb. 11, 2020**

(54) **SUPPORT FOR DISC-LIKE WEIGHTS**

(71) Applicant: **Nándor Szónyi**, Komárno (SK)

(72) Inventor: **Nándor Szónyi**, Komárno (SK)

(\*) Notice: This patent is subject to a terminal disclaimer.

(\*\*) Term: **15 Years**

(21) Appl. No.: **29/654,917**

(22) Filed: **Jun. 28, 2018**

(51) **LOC (12) Cl.** ..... **21-02**

(52) **U.S. Cl.**  
USPC ..... **D21/686**

(58) **Field of Classification Search**

USPC ..... 108/51.11; 128/202.18, 845;  
297/180.11, 391, 394, 452.26, 452.48;  
5/401, 417, 419, 420, 600, 630-636, 646,  
5/652, 653, 655.4, 655, 690, 730, 933,  
5/946, 947; D21/552, 673, 676, 682.4,  
D21/684, 686, 690, 691, 694, 803, 804,  
D21/805, 809; D24/183, 184, 190, 191,  
D24/234; D25/102, 112, 113, 119;  
D32/40, 43; D6/349, 375, 512, 596, 601,  
D6/604, 715, 716.1, 716; 601/27, 28  
CPC .... A63B 71/0036; G01G 21/26; A47G 9/109;  
A47C 16/02; A47C 16/005  
See application file for complete search history.

(56) **References Cited**

**U.S. PATENT DOCUMENTS**

3,601,121 A \* 8/1971 Roberts ..... 5/633  
D254,029 S \* 1/1980 Barbagallo ..... 5/636  
D259,381 S \* 6/1981 Smith ..... D6/601  
4,475,542 A \* 10/1984 Brossard ..... A61G 13/009  
5/630  
D276,938 S \* 12/1984 Pedersen ..... 5/636  
D289,481 S \* 4/1987 Reddick ..... 5/653  
4,805,603 A \* 2/1989 Cumberland ..... A47G 9/1027  
128/DIG. 20

D321,562 S \* 11/1991 Ljungvall ..... 5/646  
D325,087 S \* 3/1992 Brinker ..... D24/190  
D325,839 S \* 5/1992 Main ..... D6/601  
D328,682 S \* 8/1992 Carney ..... D6/601  
5,216,771 A \* 6/1993 Hoff ..... A47C 20/021  
5/490  
D337,824 S \* 7/1993 Campbell ..... D24/190  
(Continued)

**OTHER PUBLICATIONS**

UK Design No. 4041960, Jul. 3, 2015.

*Primary Examiner* — Cynthia Ramirez

*Assistant Examiner* — Michael A Maharajh

(74) *Attorney, Agent, or Firm* — Fitch, Even, Tabin & Flannery, LLP

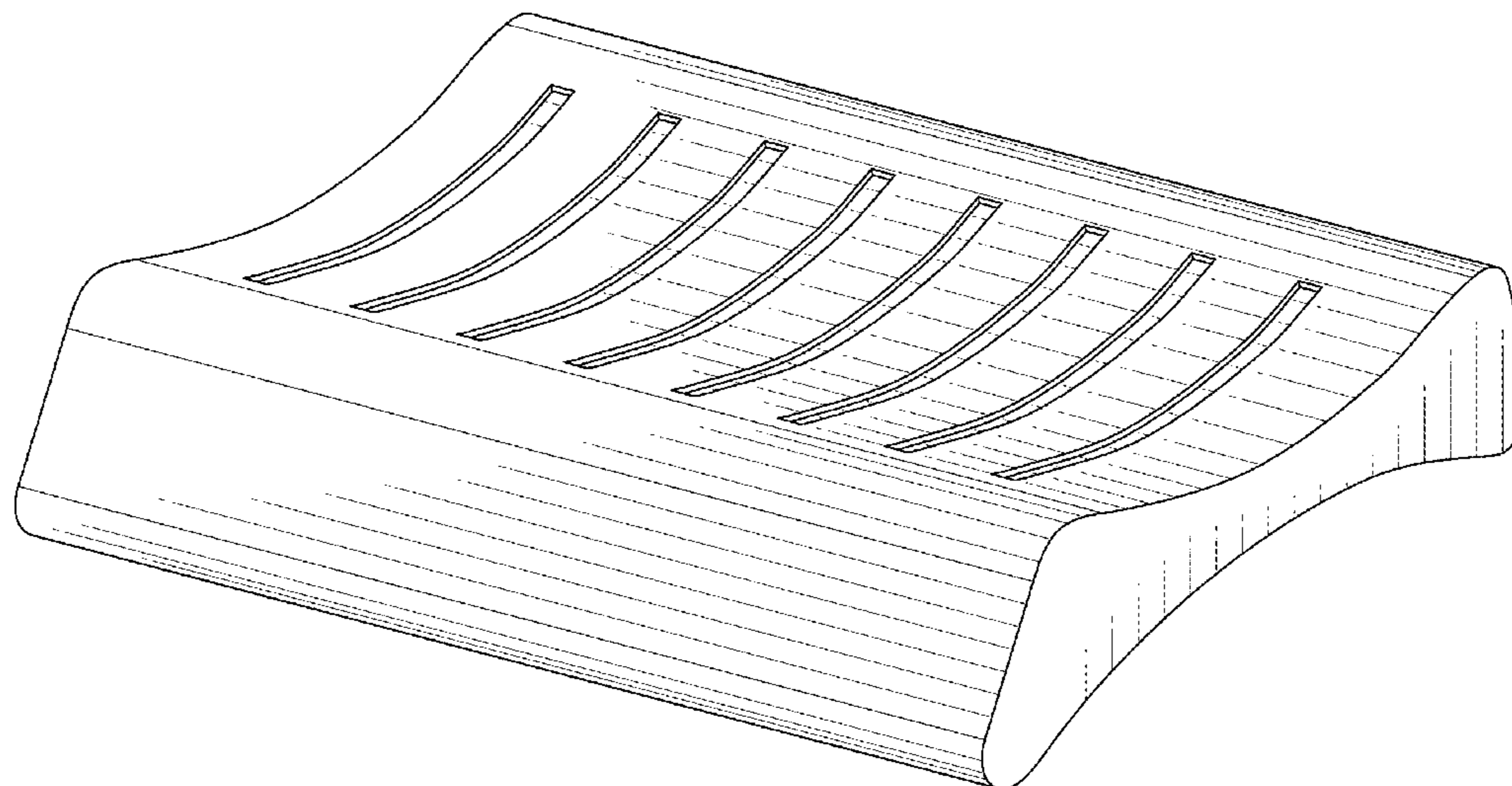
(57) **CLAIM**

The ornamental design for a support for disc-like weights, as shown and described.

**DESCRIPTION**

FIG. 1 is a perspective view of the first embodiment of a support for disc-like weights, showing my new design; FIG. 2 is a left side elevation view thereof; FIG. 3 is a right side elevation view thereof; FIG. 4 is a front elevation view thereof; FIG. 5 is a rear elevation view thereof; FIG. 6 is a top plan view thereof; FIG. 7 is a bottom plan view thereof; FIG. 8 is a perspective view of the second embodiment of a support for disc-like weights thereof; FIG. 9 is a left side elevation view thereof; FIG. 10 is a right side elevation view thereof; FIG. 11 is a front elevation view thereof; FIG. 12 is a rear elevation view thereof; FIG. 13 is a top plan view thereof; and, FIG. 14 is a bottom plan view thereof. The stippling in FIGS. 8-14 indicates a rough textured surface.

**1 Claim, 10 Drawing Sheets**



(56)

References Cited

U.S. PATENT DOCUMENTS

D359,189 S \* 6/1995 Righini ..... D6/601  
 5,431,618 A \* 7/1995 Levi ..... A63B 21/00047  
 482/142  
 D371,035 S \* 6/1996 Davis ..... D6/596  
 D400,386 S \* 11/1998 Keilhauer ..... D6/601  
 5,906,018 A \* 5/1999 Kidwell ..... A47C 16/005  
 5/630  
 D417,579 S \* 12/1999 Tarquinio ..... D6/601  
 6,047,419 A \* 4/2000 Ferguson ..... A47C 20/025  
 5/630  
 D445,505 S \* 7/2001 Shapiro ..... D24/183  
 D447,805 S \* 9/2001 Siegal ..... D24/183  
 D457,771 S \* 5/2002 Boxrud ..... D6/601  
 6,578,218 B2 \* 6/2003 Wassilefsky ..... A47C 20/021  
 5/630  
 6,629,324 B1 \* 10/2003 Shapiro ..... A47G 9/10  
 5/630  
 D487,553 S \* 3/2004 Morikawa ..... D6/601  
 6,751,818 B2 \* 6/2004 Troop ..... A61G 7/072  
 5/630  
 6,823,545 B1 \* 11/2004 Davis ..... A47C 16/02  
 5/630

D542,071 S \* 5/2007 Chan ..... D6/601  
 D546,107 S \* 7/2007 Babcock ..... D6/601  
 D566,448 S \* 4/2008 Ridder ..... D24/183  
 D595,527 S \* 7/2009 Carter ..... D6/601  
 7,891,033 B2 \* 2/2011 Loewenthal ..... A61G 5/1043  
 297/452.21  
 D637,030 S \* 5/2011 Khandai ..... D6/601  
 D638,646 S \* 5/2011 Penza ..... D6/601  
 D665,503 S \* 8/2012 Dennewald ..... D24/183  
 D670,873 S \* 11/2012 Seliskar ..... D30/118  
 D681,994 S \* 5/2013 Morgan, II ..... D6/601  
 D696,046 S \* 12/2013 Marinkovic ..... D6/601  
 8,671,484 B1 \* 3/2014 Logiodice ..... A47D 15/005  
 5/655  
 D701,710 S \* 4/2014 Martinez ..... D6/601  
 D707,982 S \* 7/2014 Chin ..... D6/601  
 8,806,684 B1 \* 8/2014 Ortega ..... A47G 9/109  
 5/632  
 D732,314 S \* 6/2015 Fux ..... D6/601  
 D733,462 S \* 7/2015 Pellegrini ..... D6/601  
 D739,036 S \* 9/2015 McAviney ..... D24/200  
 D807,973 S \* 1/2018 Leonardo ..... D21/686  
 D820,374 S \* 6/2018 Rademacher ..... D21/803  
 D821,780 S \* 7/2018 Strandberg ..... D6/596

\* cited by examiner

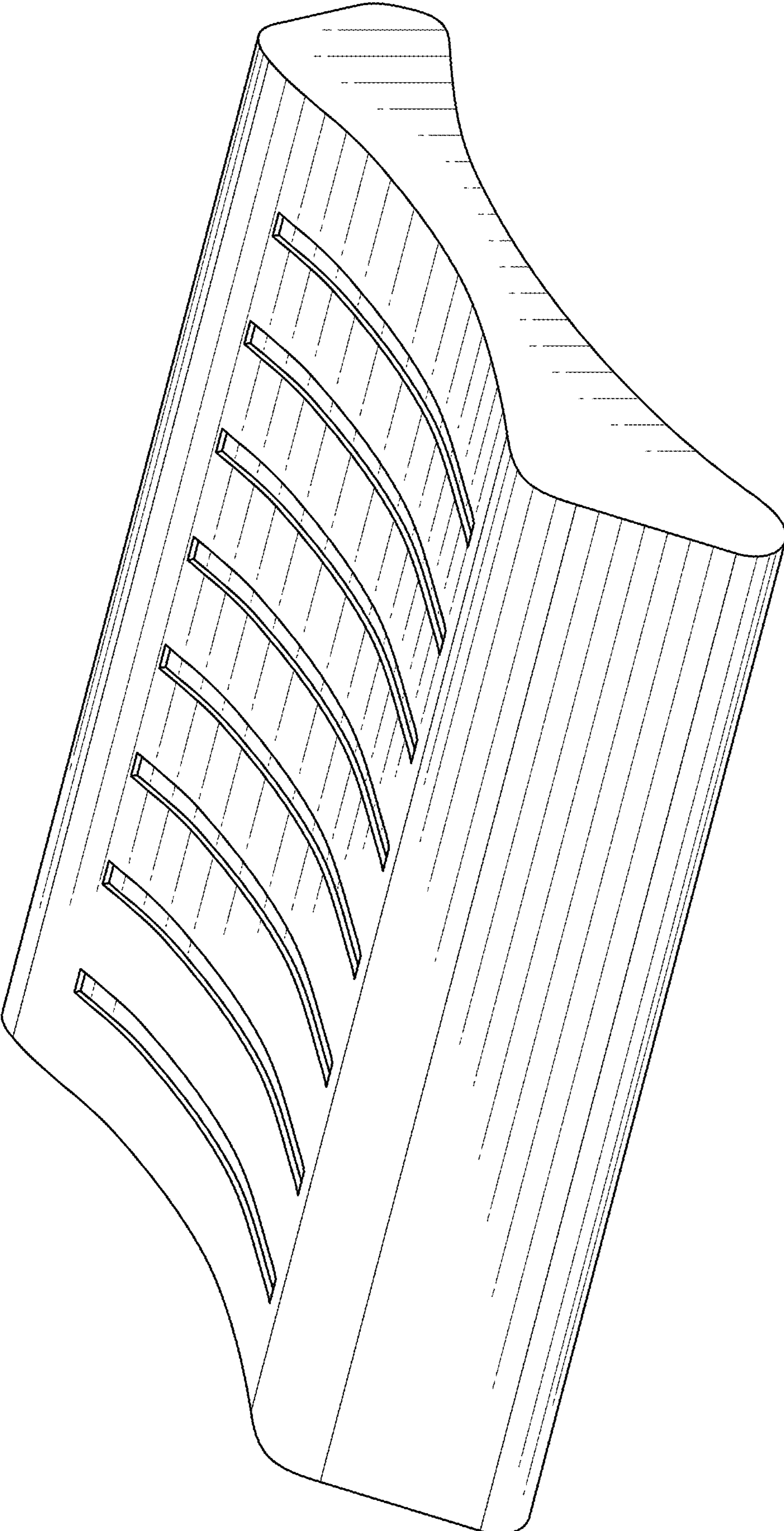


FIG. 1

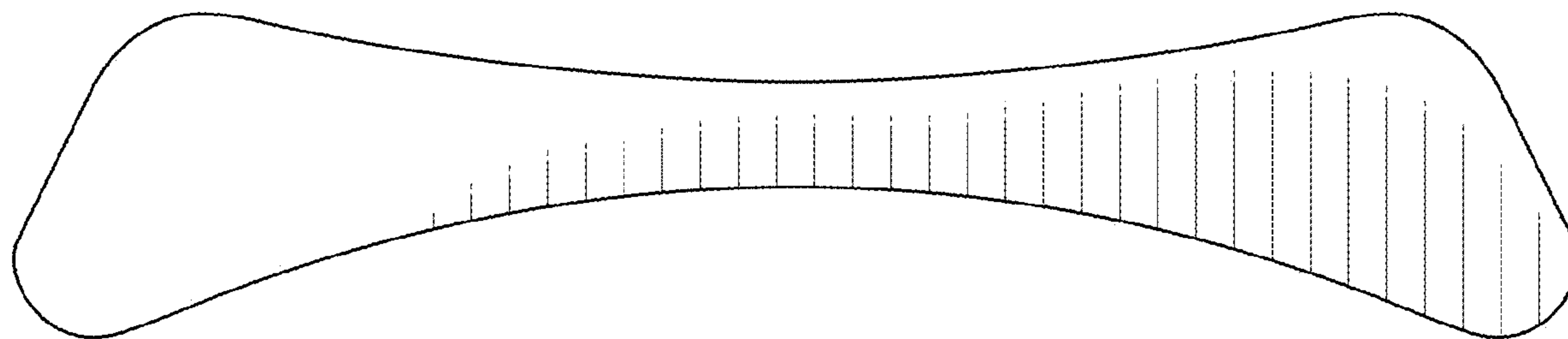


FIG. 2

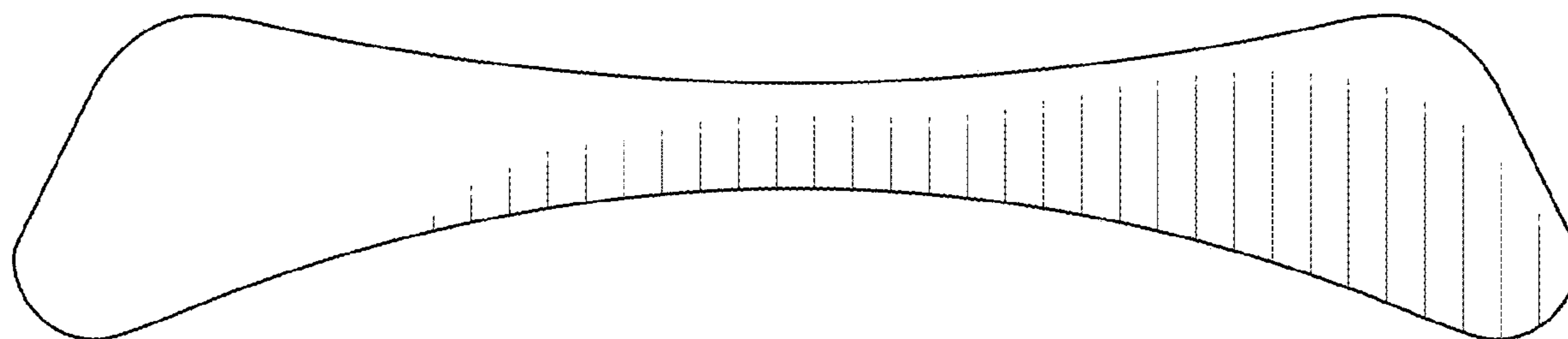


FIG. 3

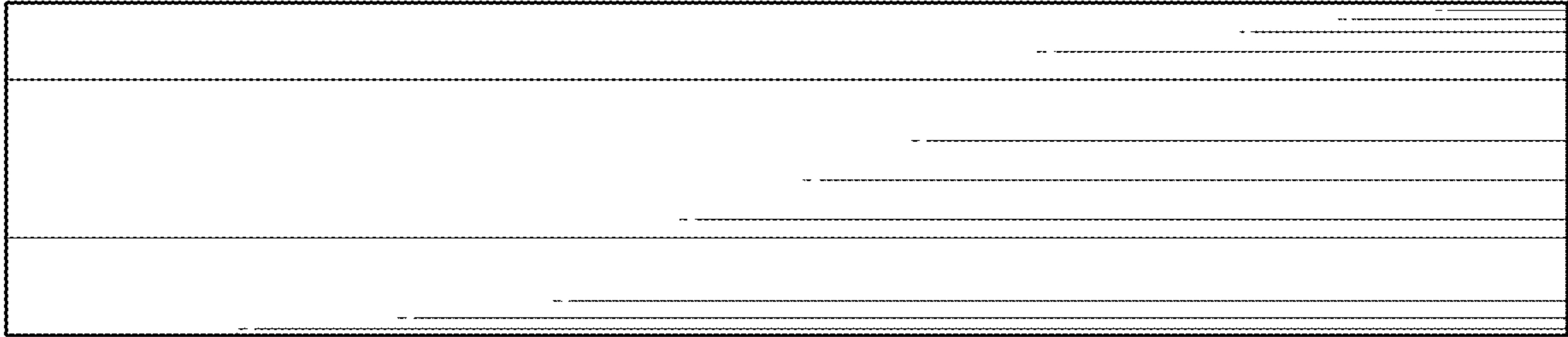


FIG. 4

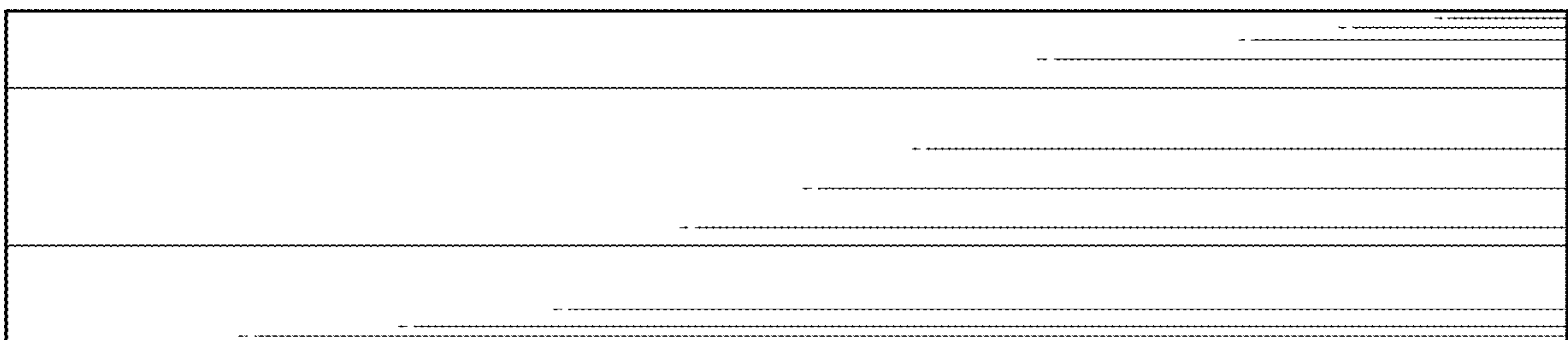


FIG. 5

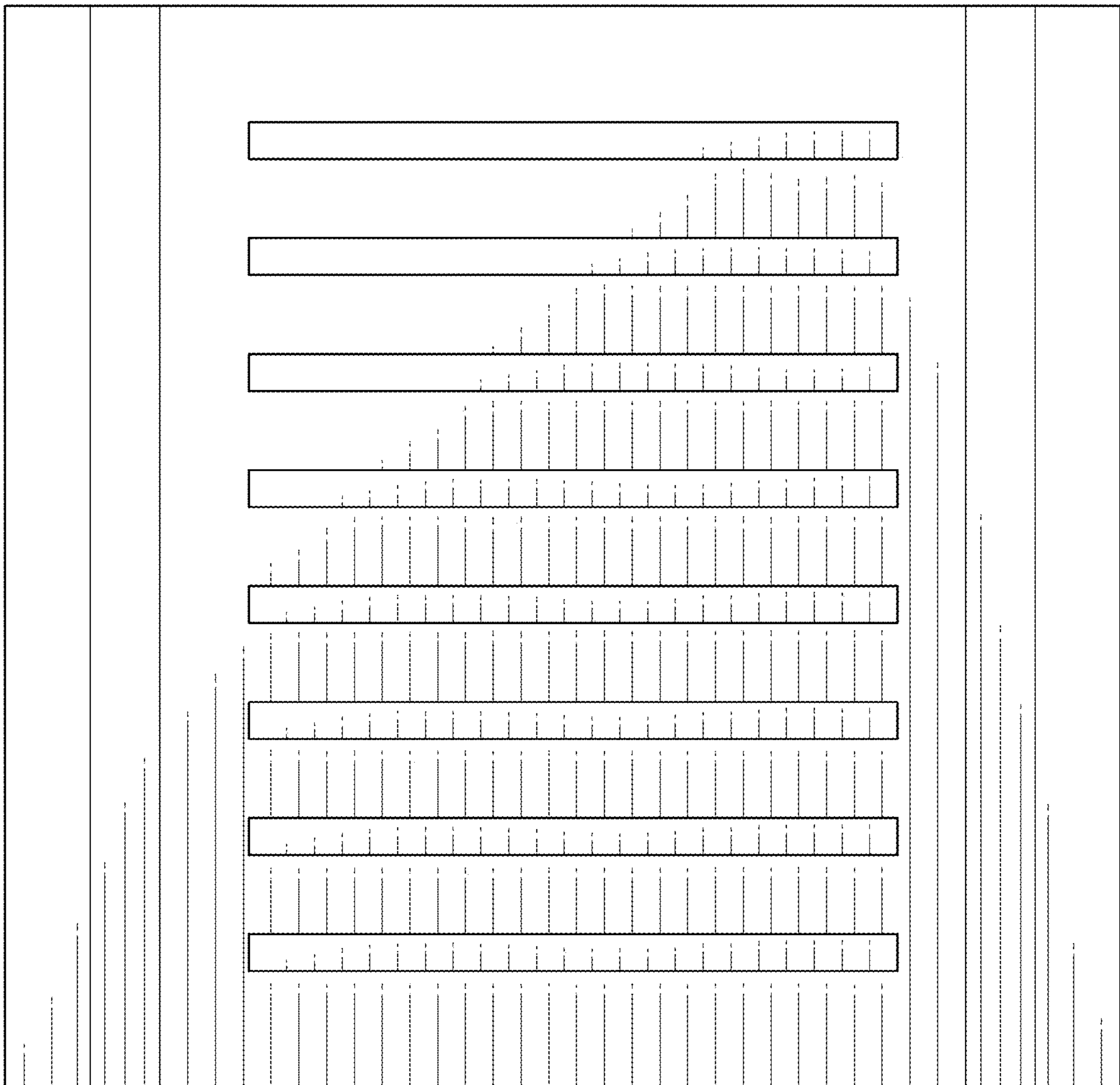


FIG. 6

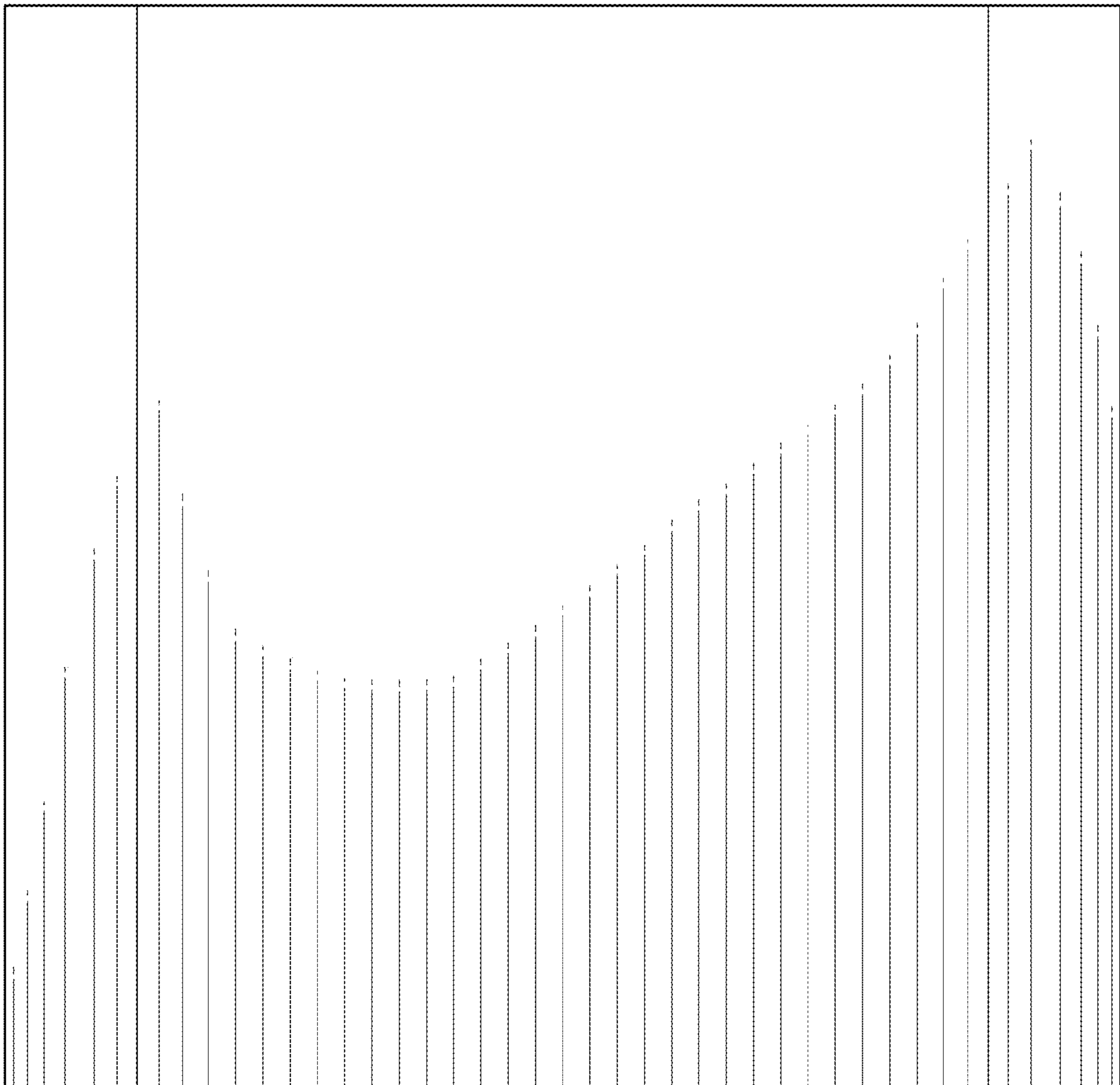


FIG. 7

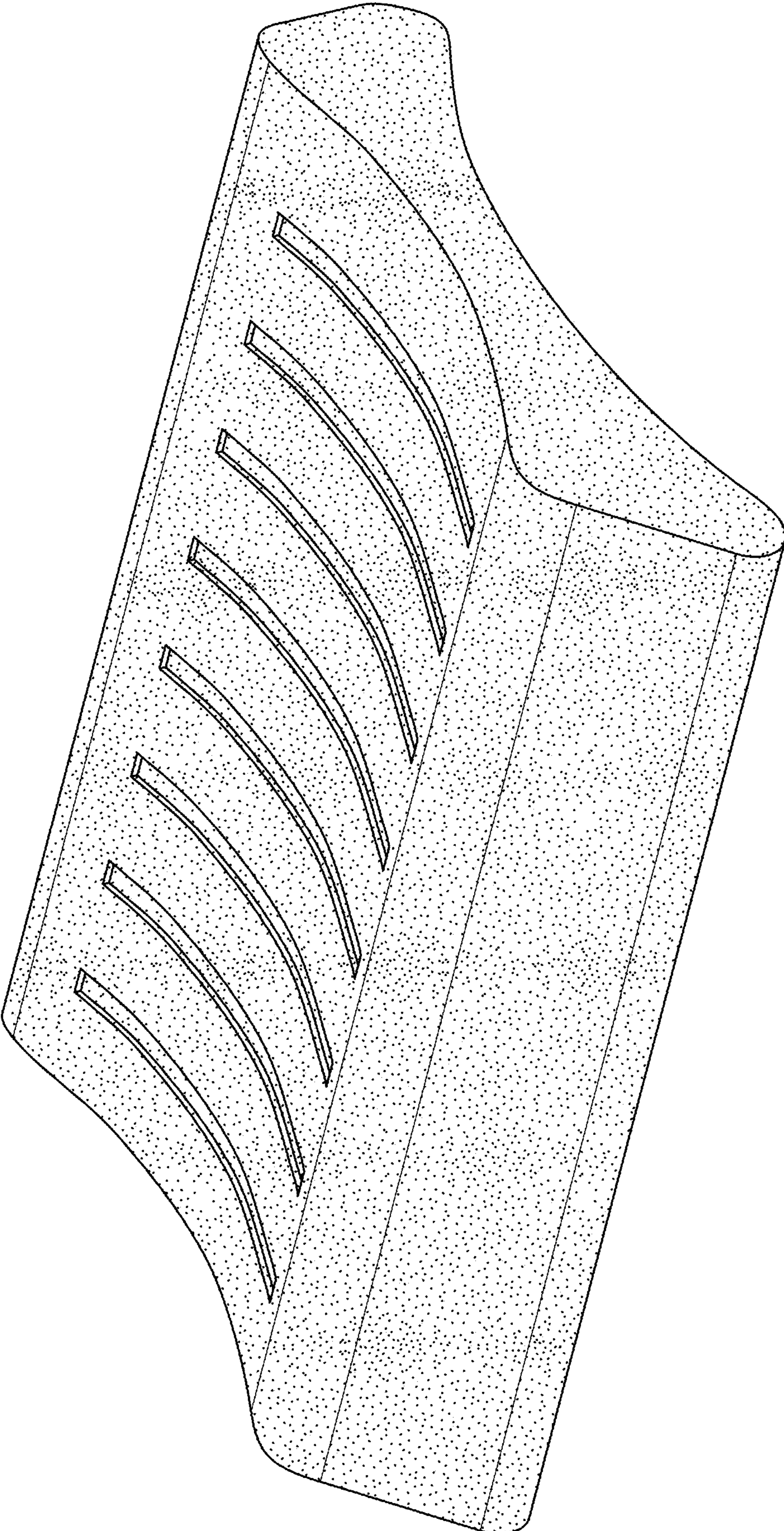


FIG. 8



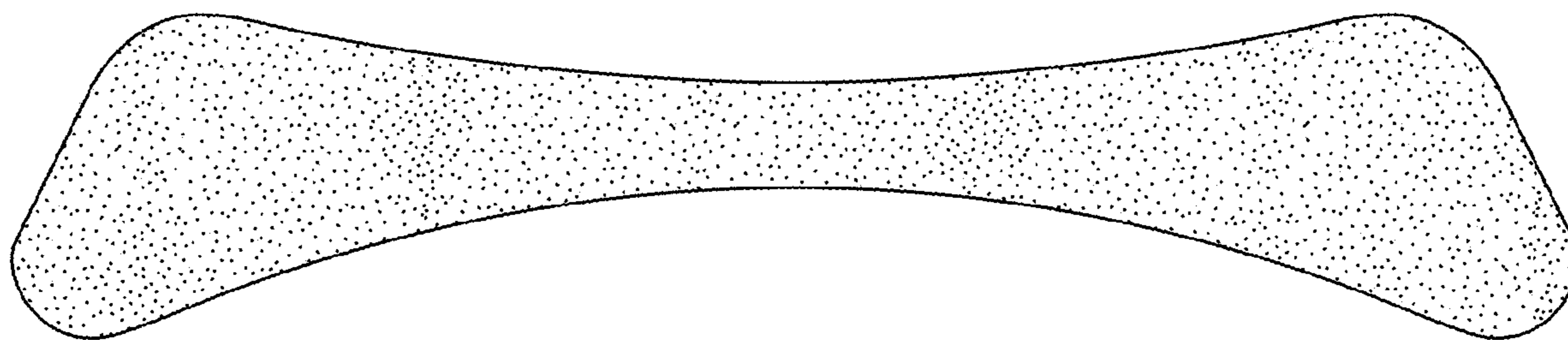


FIG. 9

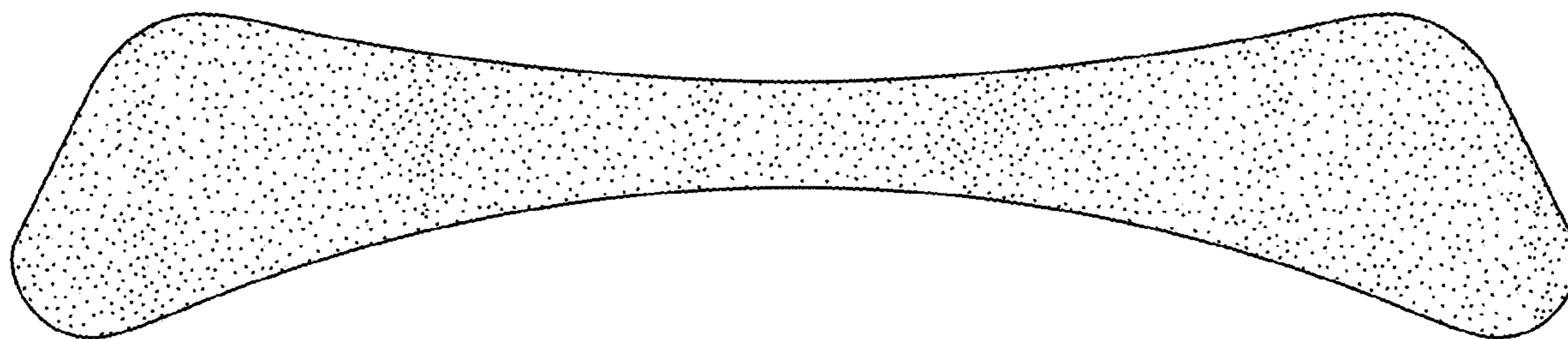


FIG. 10

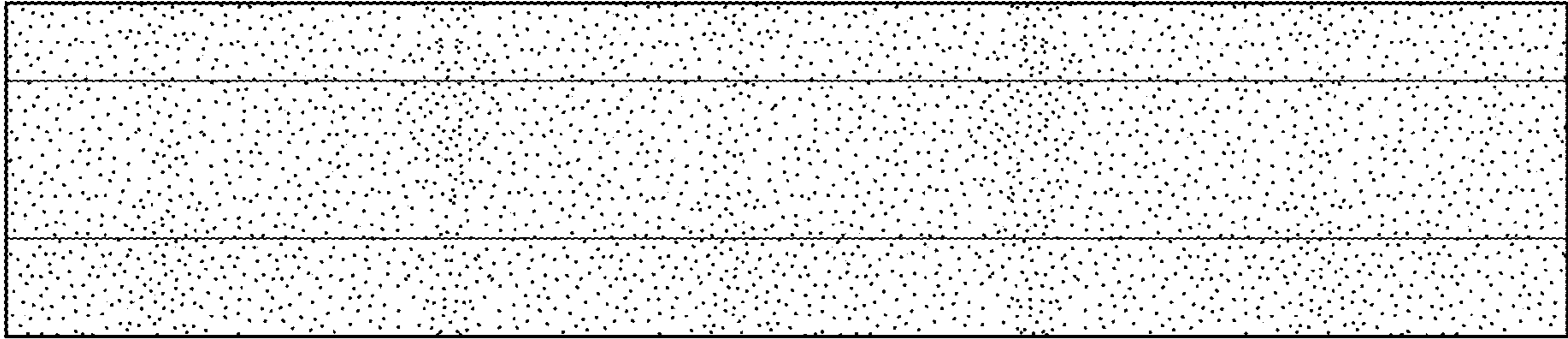


FIG. 11

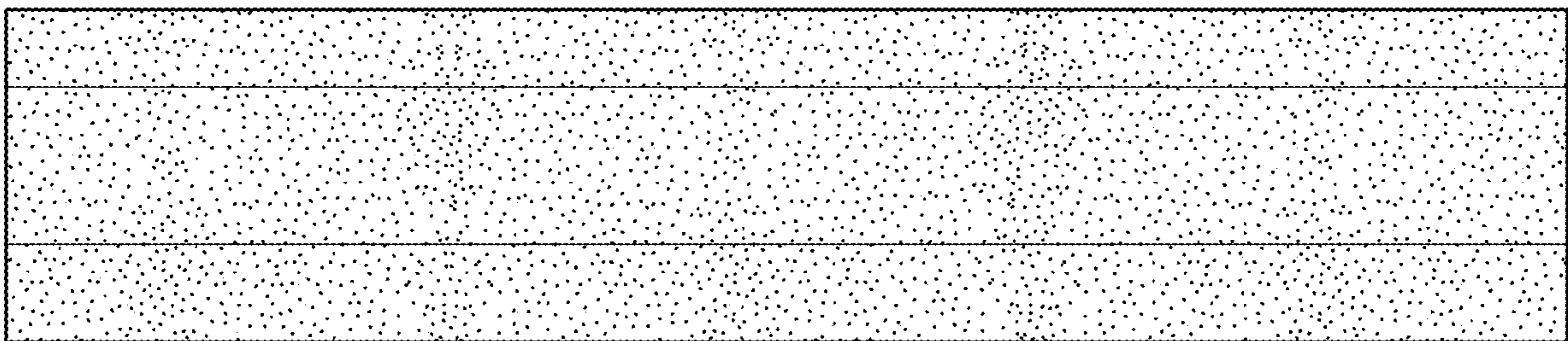


FIG. 12

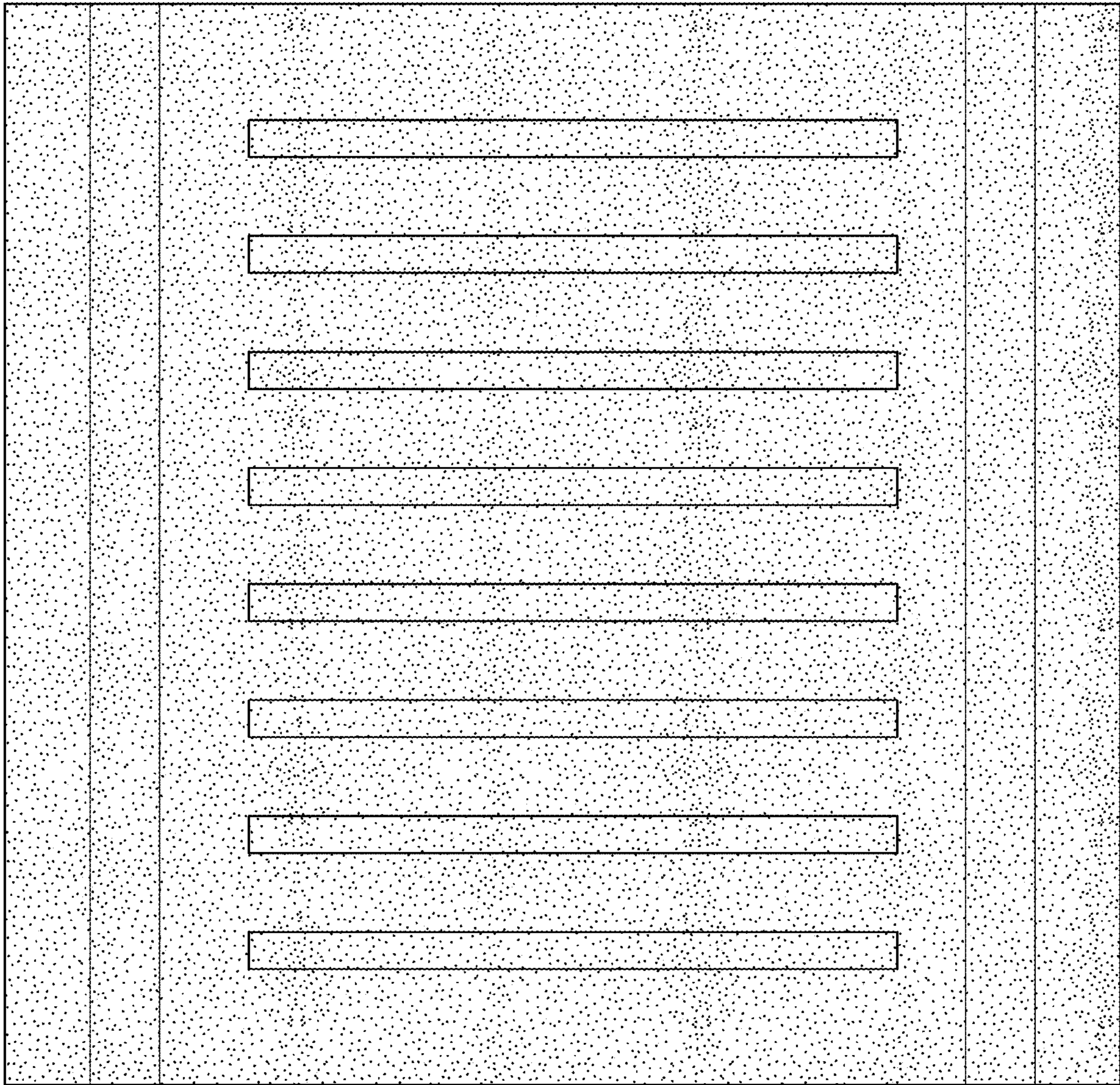


FIG. 13



FIG. 14