



US00D875192S

(12) **United States Design Patent** (10) **Patent No.:** **US D875,192 S**
Ci (45) **Date of Patent:** **** Feb. 11, 2020**

(54) **EXERCISE DEVICE WITH A VIBRATING PLATFORM**

(71) Applicant: **Yanhuang Dongfang (Beijing) Healthcare Technology Co., Ltd., Beijing (CN)**

(72) Inventor: **Zhonghua Ci, Beijing (CN)**

(73) Assignee: **Zhonghua CI, Beijing (CN)**

(**) Term: **15 Years**

(21) Appl. No.: **29/609,389**

(22) Filed: **Jun. 30, 2017**

(30) **Foreign Application Priority Data**

Jun. 6, 2017 (CN) 2017 3 0226851

(51) **LOC (12) Cl.** **21-02**

(52) **U.S. Cl.**
USPC **D21/686**

(58) **Field of Classification Search**
USPC D21/688, 685, 662, 686, 689, 670;
482/52, 146, 112, 147, 8, 51, 142;
D24/200

CPC A63B 22/14; A63B 2208/0204; A63B 2022/0033; A63B 22/18; A63B 2023/003; A63B 26/003; A63B 22/0061; A63B 23/0458; A63B 22/16; A63B 21/4047; A61H 1/005; A61H 2203/0406; A61H 23/0263; A61H 1/003; A61H 2201/1284; A61H 1/0292; A61H 2201/1676

See application file for complete search history.

(56) **References Cited**

U.S. PATENT DOCUMENTS

2,256,001 A * 9/1941 Titus A63B 22/14
482/147
3,100,639 A * 8/1963 Bonewitz A63B 22/14
482/147

4,026,279 A * 5/1977 Simjian A61H 15/00
482/147
4,638,996 A * 1/1987 Simjian A63B 22/14
482/131
5,078,389 A * 1/1992 Chen A63B 21/154
482/147
D349,931 S * 8/1994 Bostic D21/689
D352,980 S * 11/1994 Wu D21/689
D358,182 S * 5/1995 Yang D21/670
D362,479 S * 9/1995 Destasio, Jr. D21/688
5,632,711 A * 5/1997 Hwang A63B 22/14
482/146
D380,508 S * 7/1997 Chang D21/688
5,695,439 A * 12/1997 Lin A63B 22/14
482/146
5,879,276 A * 3/1999 Miller A63B 22/14
482/131

(Continued)

Primary Examiner — Ryan Harvey

(74) *Attorney, Agent, or Firm* — Gokalp Bayramoglu

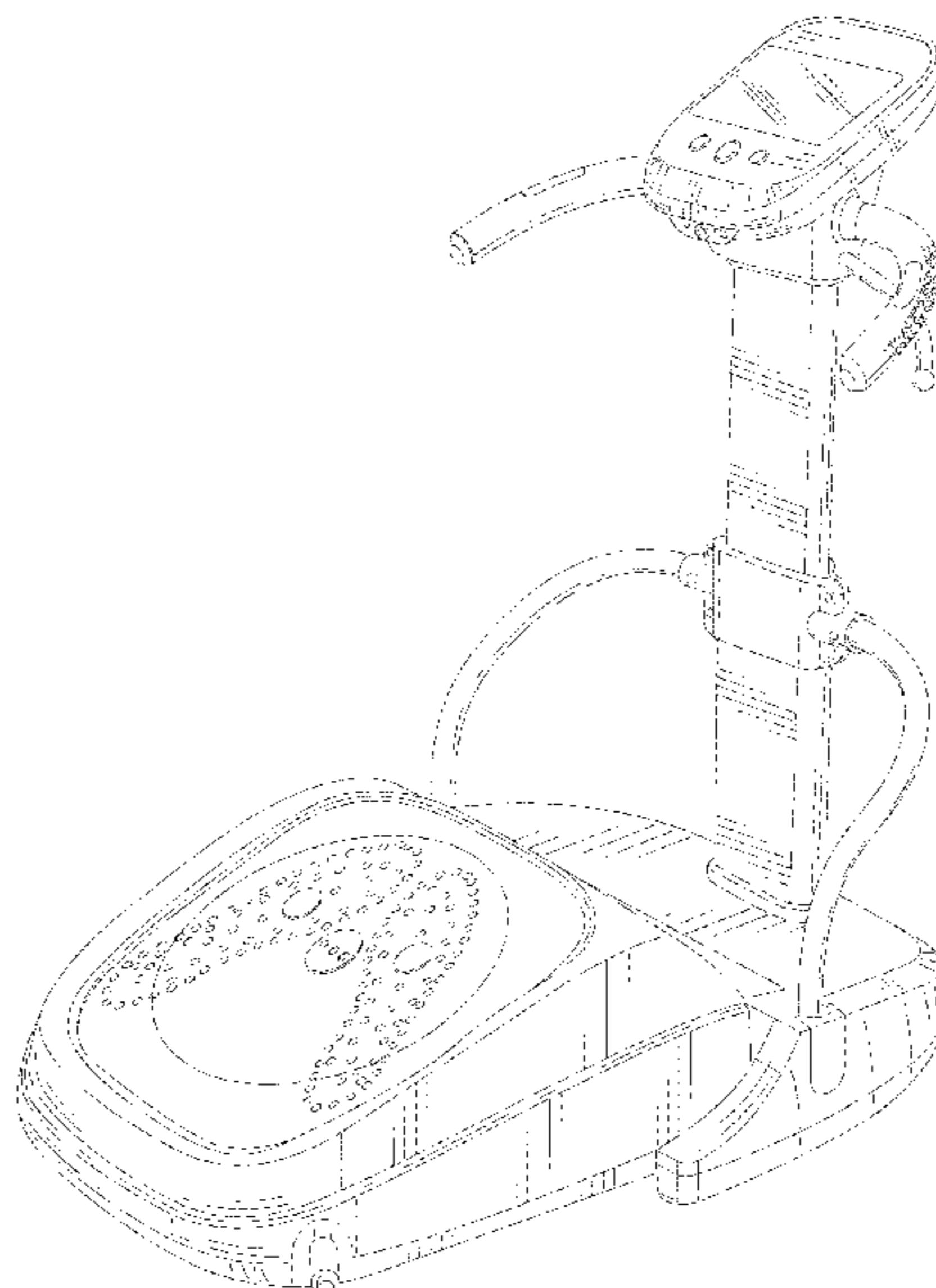
(57) **CLAIM**

The ornamental design for an exercise device with a vibrating platform, as shown and described.

DESCRIPTION

FIG. 1 is a perspective view of an exercise device with a vibrating platform showing my new design;
FIG. 2 is a front view thereof;
FIG. 3 is a rear view thereof;
FIG. 4 is a left side view thereof;
FIG. 5 is a right side view thereof;
FIG. 6 is a top view thereof; and,
FIG. 7 is a bottom view thereof.
The broken lines depict portions of the exercise device with a vibrating platform in which the design is embodied that form no part of the claimed design.

1 Claim, 7 Drawing Sheets



(56)

References Cited

U.S. PATENT DOCUMENTS

5,888,182	A *	3/1999	Shih	A63B 22/14	D633,580	S *	3/2011	Wu	D21/662
				482/146	D633,912	S *	3/2011	Llopis Vano	D14/413
5,921,899	A *	7/1999	Rose	A63B 5/11	D633,913	S *	3/2011	Aboy Garcia	D14/413
				482/112	D635,202	S *	3/2011	Chang	D21/662
5,941,807	A *	8/1999	Cassidy	A63B 22/14	D638,076	S *	5/2011	Minter	D21/662
				482/130	7,942,798	B2 *	5/2011	Wang	A63B 21/15
D422,325	S *	4/2000	Broudy	D21/689					482/146
6,176,817	B1 *	1/2001	Carey	A63B 22/18	D639,872	S *	6/2011	Chiang	D21/670
				482/146	D640,334	S *	6/2011	Aboody	D21/662
D460,506	S *	7/2002	Tamminga	D21/686	D640,335	S *	6/2011	Aboody	D21/662
D469,831	S *	2/2003	Tuccillo	D21/686	D640,336	S *	6/2011	Aboody	D21/662
D494,645	S *	8/2004	Otomi	D21/662	8,002,684	B2 *	8/2011	Laurent	A61H 1/005
D495,015	S *	8/2004	Tudico	D21/662					482/142
D500,100	S *	12/2004	van der Meer	D21/662	8,025,616	B1 *	9/2011	Hsu	A63B 22/14
6,875,159	B2 *	4/2005	Chuang	A63B 22/14					482/146
				482/146	D681,752	S *	5/2013	Meyer-Hayoz	D21/662
D514,175	S *	1/2006	Sugiyama	D21/685	D694,349	S *	11/2013	Chen	D21/686
D518,533	S *	4/2006	van der Meer	D21/662	D695,368	S *	12/2013	Blattmann	D21/662
D520,083	S *	5/2006	Lu	D21/685	D695,856	S *	12/2013	Jacobs	D21/668
D522,074	S *	5/2006	Dummel	D21/662	D753,777	S *	4/2016	Radtke	D21/686
7,074,167	B1 *	7/2006	Chen	A61H 7/001	D790,640	S *	6/2017	Chak	D21/671
				482/146	D794,727	S *	8/2017	Ho	D21/689
D533,236	S *	12/2006	Huang	D21/688	9,731,163	B2 *	8/2017	Henson	A63B 22/18
D538,358	S *	3/2007	Glier	D21/662	2002/0177511	A1 *	11/2002	Jang	A61H 15/00
D548,291	S *	8/2007	Chiang	D21/662					482/146
D559,924	S *	1/2008	Wu	D21/662	2003/0092546	A1 *	5/2003	Yu	A61H 1/0255
D561,273	S *	2/2008	Wu	D21/662					482/142
D567,309	S *	4/2008	Schuurman	D21/662	2003/0125172	A1 *	7/2003	Slowinski	A63B 22/14
D571,416	S *	6/2008	Wu	D21/662					482/146
D574,900	S *	8/2008	Meile Marcel Tamminga	D21/662	2003/0139268	A1 *	7/2003	Chen	A63B 22/18
				D21/662					482/146
D576,228	S *	9/2008	Hahn	D21/662	2005/0131319	A1 *	6/2005	der Meer	A61H 1/005
D585,505	S *	1/2009	Wu	D21/662					601/49
D586,468	S *	2/2009	Petersen	D24/200	2005/0148450	A1 *	7/2005	Huang	A63B 22/14
D586,867	S *	2/2009	Wu	D21/662					482/147
D591,366	S *	4/2009	Decommer	D21/662	2006/0240955	A1 *	10/2006	Pu	A61H 1/0266
7,520,840	B2 *	4/2009	Shifferaw	A63B 23/0458					482/79
				482/146	2007/0027009	A1 *	2/2007	Arnold	A63B 21/005
D591,804	S *	5/2009	Tsuchida	D21/662					482/146
D599,862	S *	9/2009	Decommer	D21/662	2007/0239088	A1 *	10/2007	Wu	A61H 1/005
D601,211	S *	9/2009	Wu	D21/686					601/49
D602,540	S *	10/2009	Minter	D21/662	2007/0290632	A1 *	12/2007	Stevens	A61H 1/003
D602,541	S *	10/2009	Iozzia	D21/662					318/135
D603,001	S *	10/2009	Wong	D21/668	2008/0280740	A1 *	11/2008	Knecht	A61B 3/113
D624,611	S *	9/2010	Torres Martin	D21/662					482/146
D626,185	S *	10/2010	Wu	D21/662	2010/0152006	A1 *	6/2010	Wang	A63B 22/14
D627,012	S *	11/2010	Wu	D21/662					482/147
7,862,491	B1 *	1/2011	Wang	A63B 22/14	2013/0035617	A1 *	2/2013	Aboody	A61H 1/005
				482/130					601/53
					2015/0305957	A1 *	10/2015	Triplett	A61H 1/005
									601/53

* cited by examiner

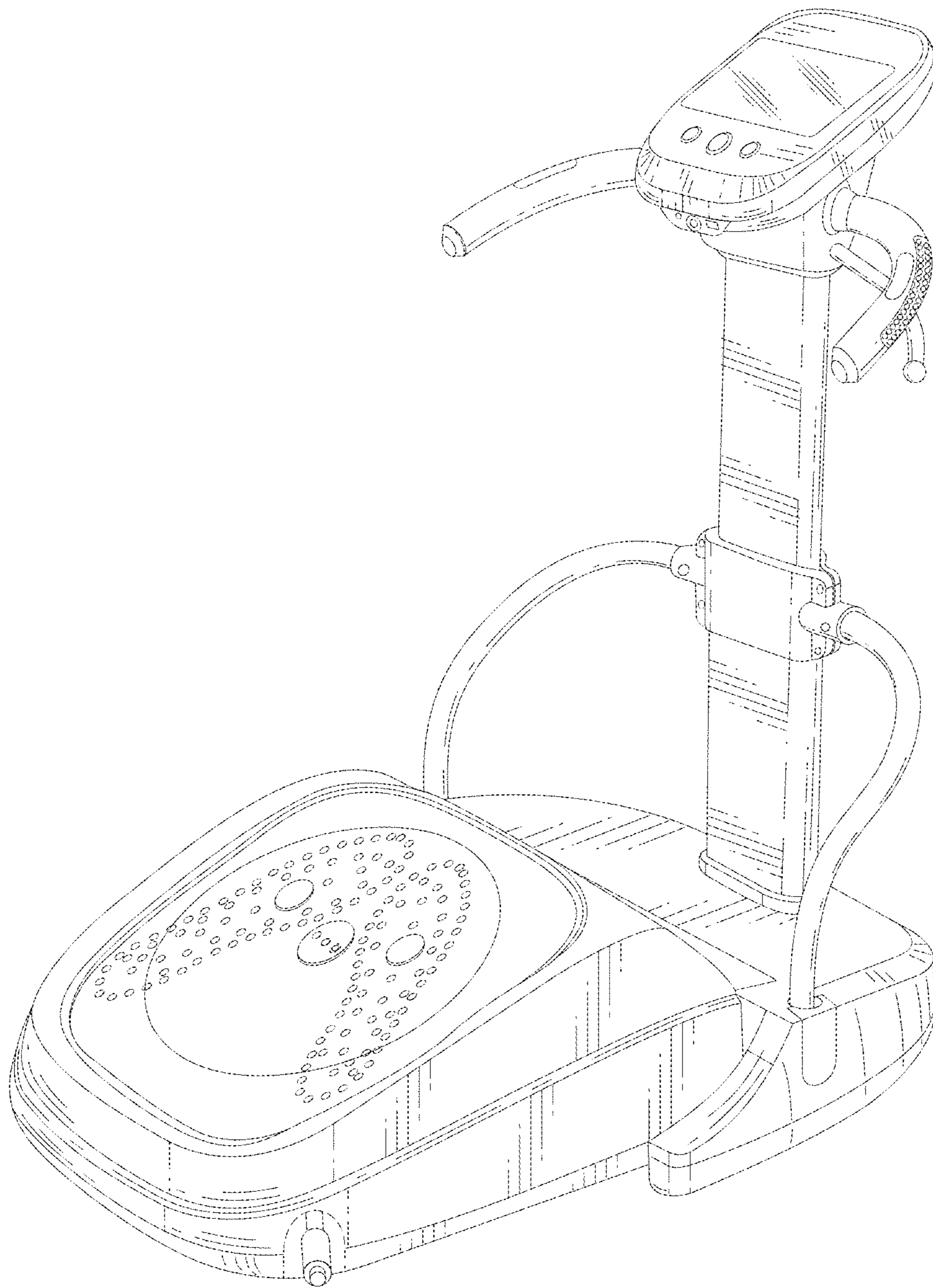


FIG. 1

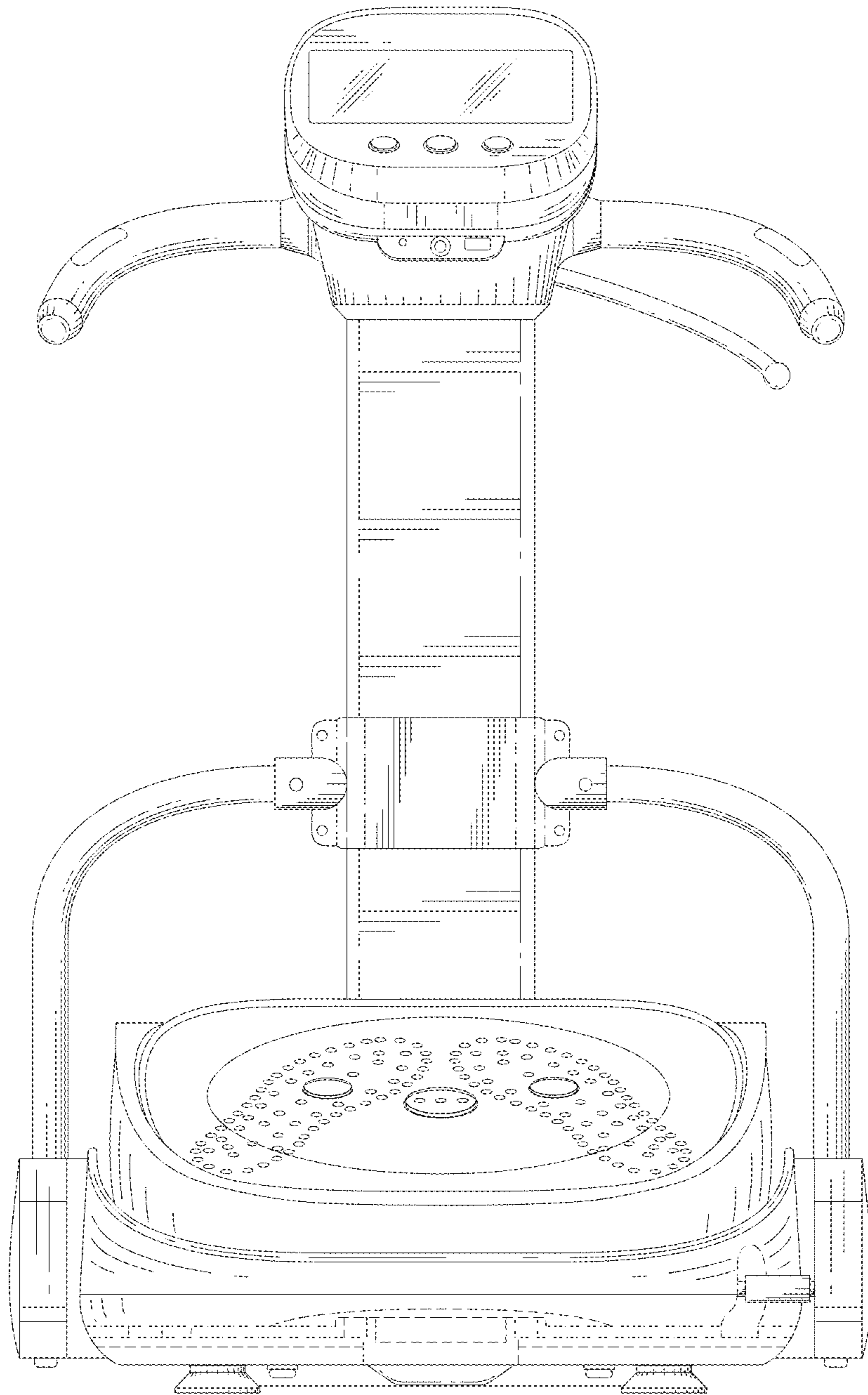


FIG. 2

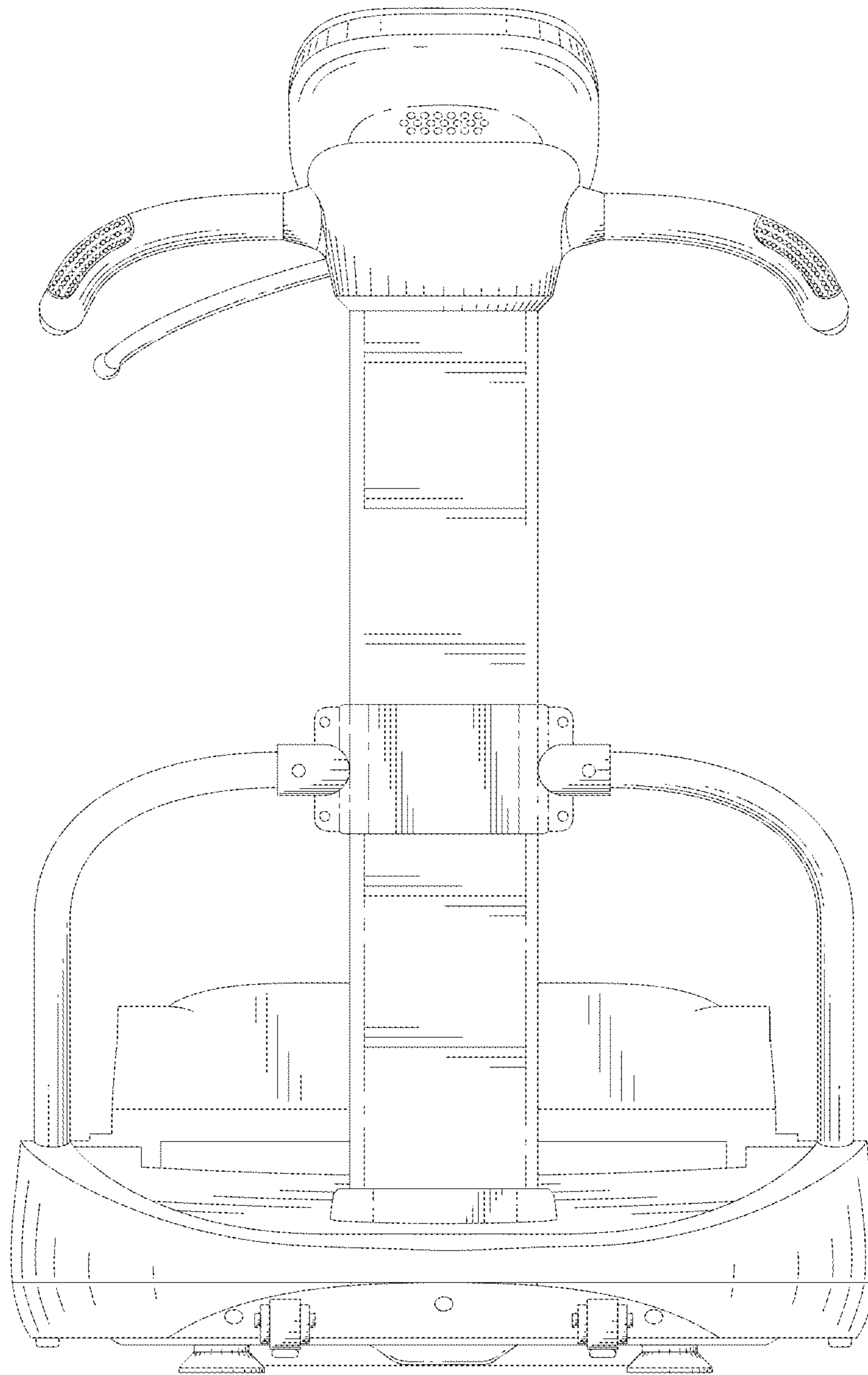


FIG. 3

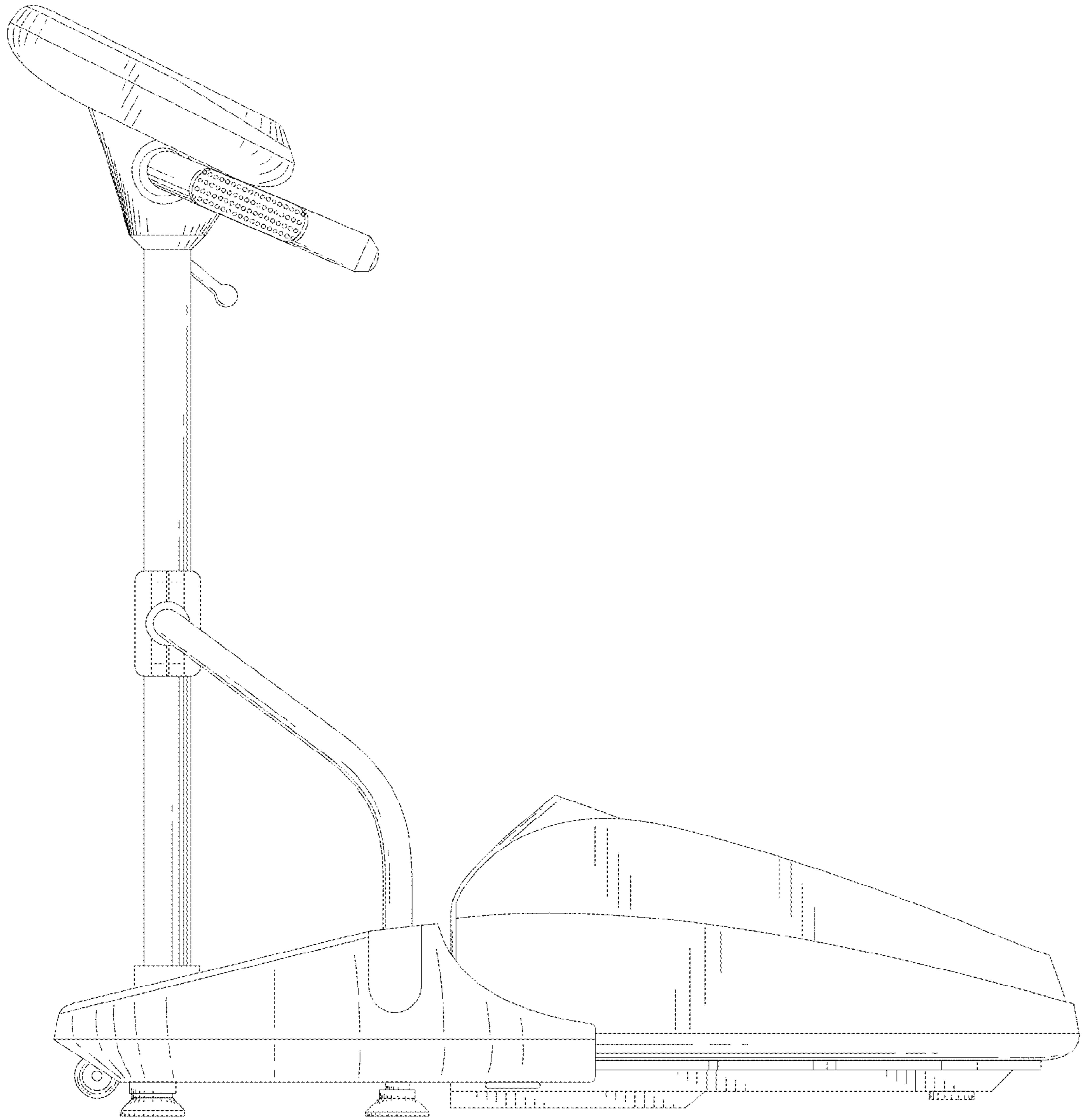


FIG. 4

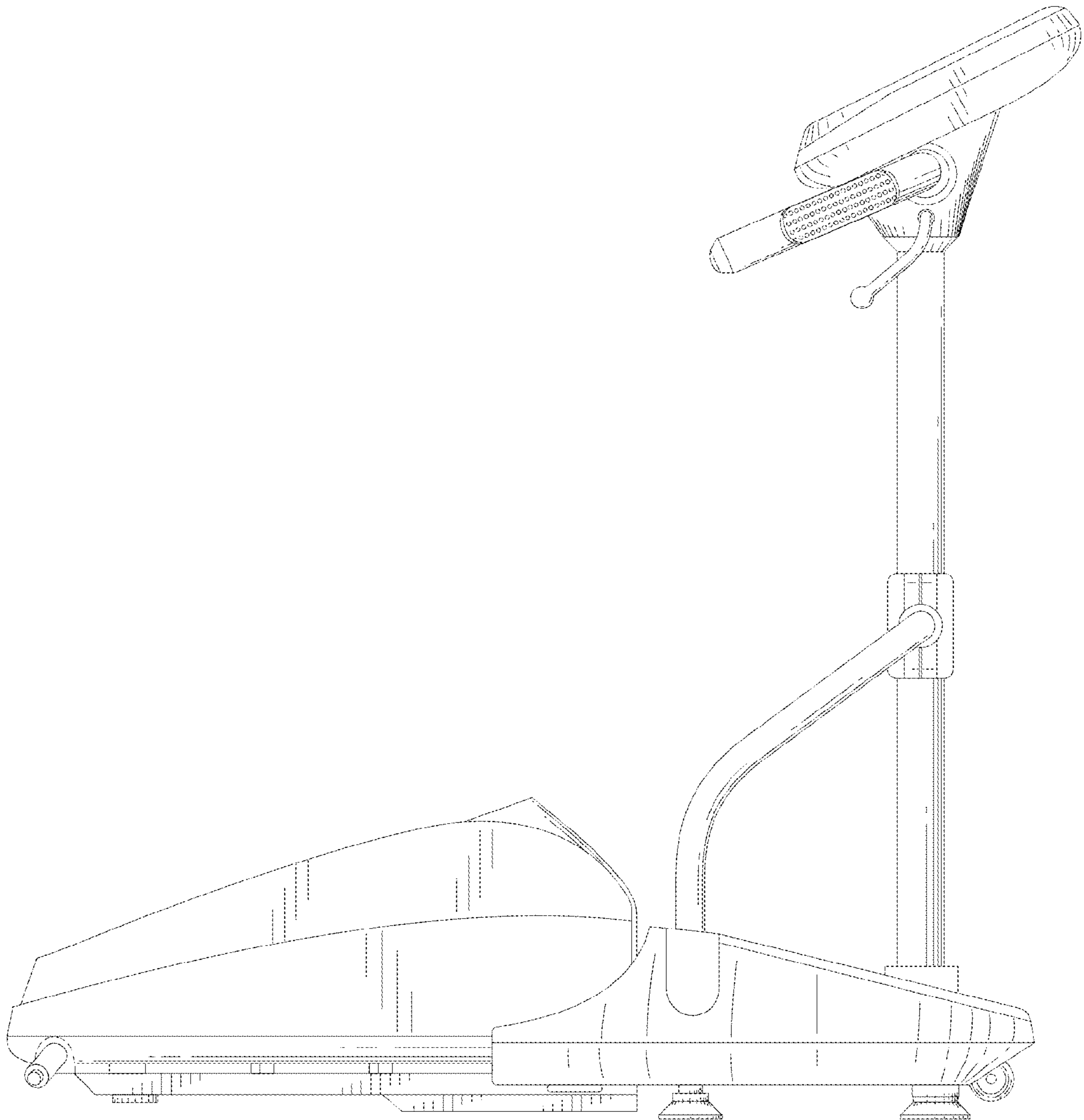


FIG. 5

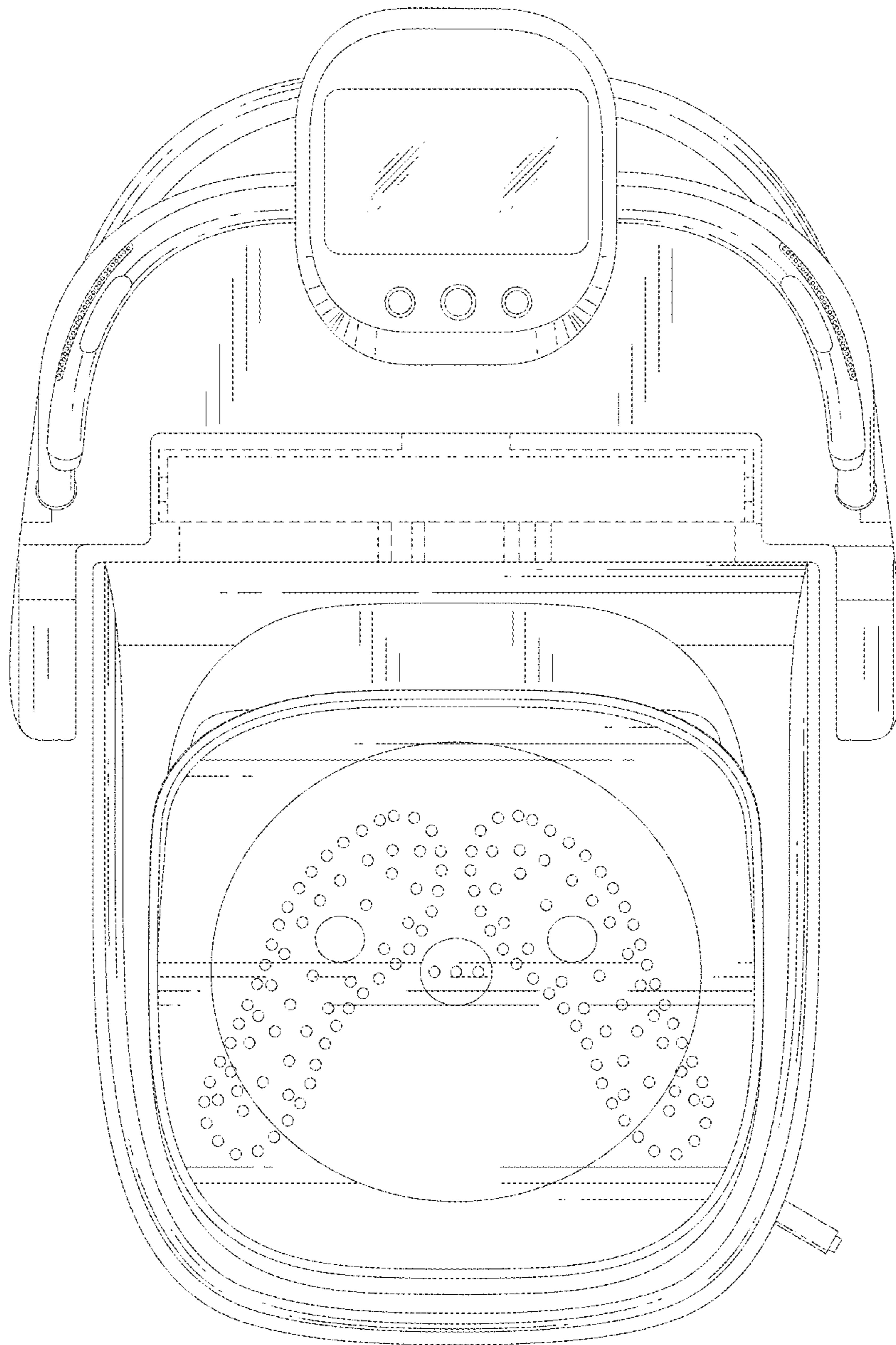


FIG. 6

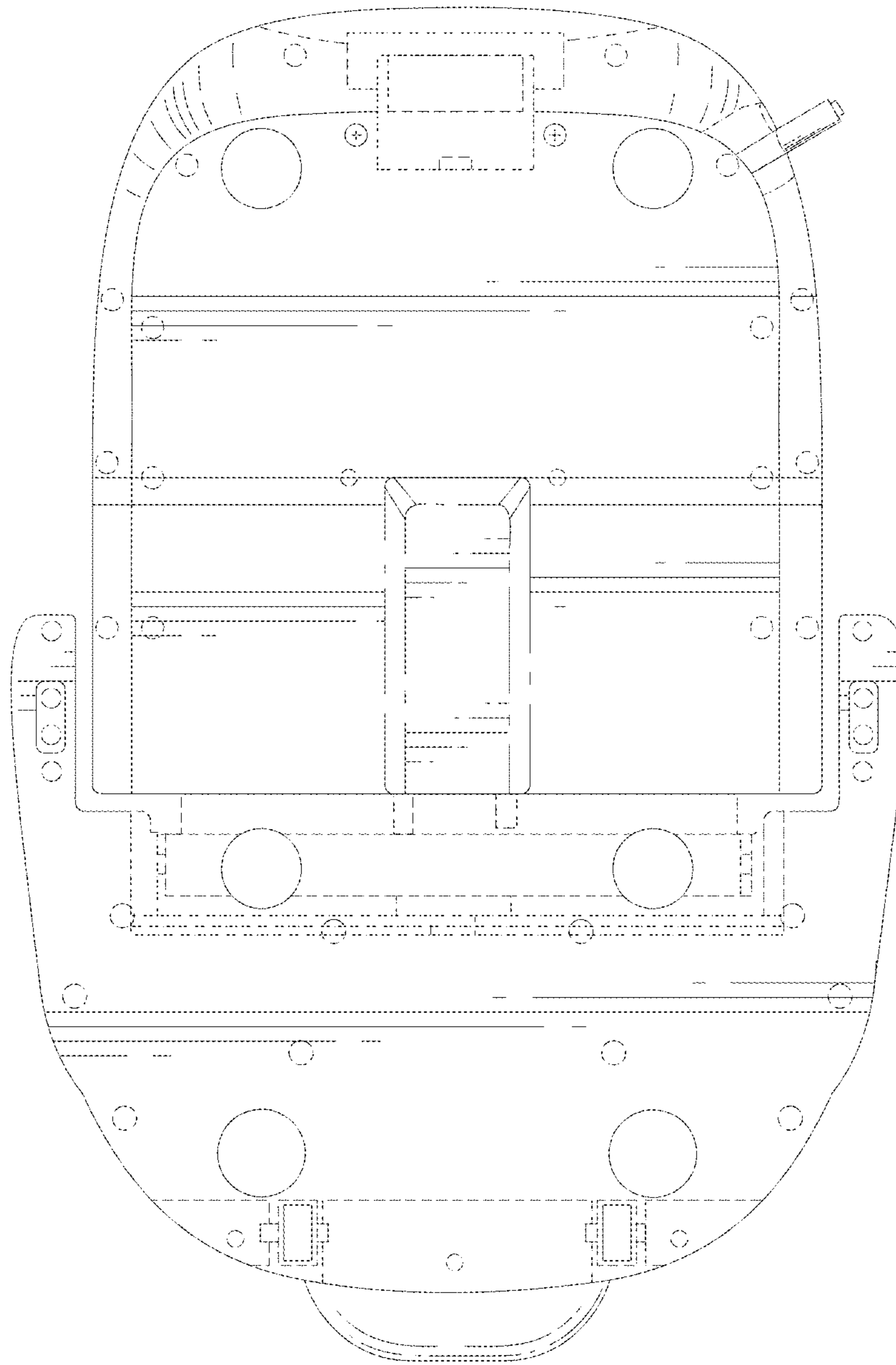


FIG. 7