



US00D875190S

(12) **United States Design Patent** (10) **Patent No.:** **US D875,190 S**
Jacoby (45) **Date of Patent:** **** Feb. 11, 2020**

- (54) **BEE**
- (71) Applicant: **Eric Jacoby Design, Inc.**, Salt Lake City, UT (US)
- (72) Inventor: **Eric Robert Jacoby**, Salt Lake City, UT (US)
- (73) Assignee: **Eric Jacoby Design, Inc.**, Salt Lake City, UT (US)
- (**) Term: **15 Years**
- (21) Appl. No.: **29/665,202**
- (22) Filed: **Oct. 1, 2018**
- (51) **LOC (12) Cl.** **21-01**
- (52) **U.S. Cl.**
USPC **D21/650; D21/585**
- (58) **Field of Classification Search**
USPC D6/598; D11/158, 160–162;
D21/576–596, 604–605, 610–613, 650;
(Continued)

- (56) **References Cited**
U.S. PATENT DOCUMENTS
1,777,948 A * 10/1930 Eerde A63H 3/16
446/99
2,036,302 A * 4/1936 Leon A63H 3/16
446/100
(Continued)

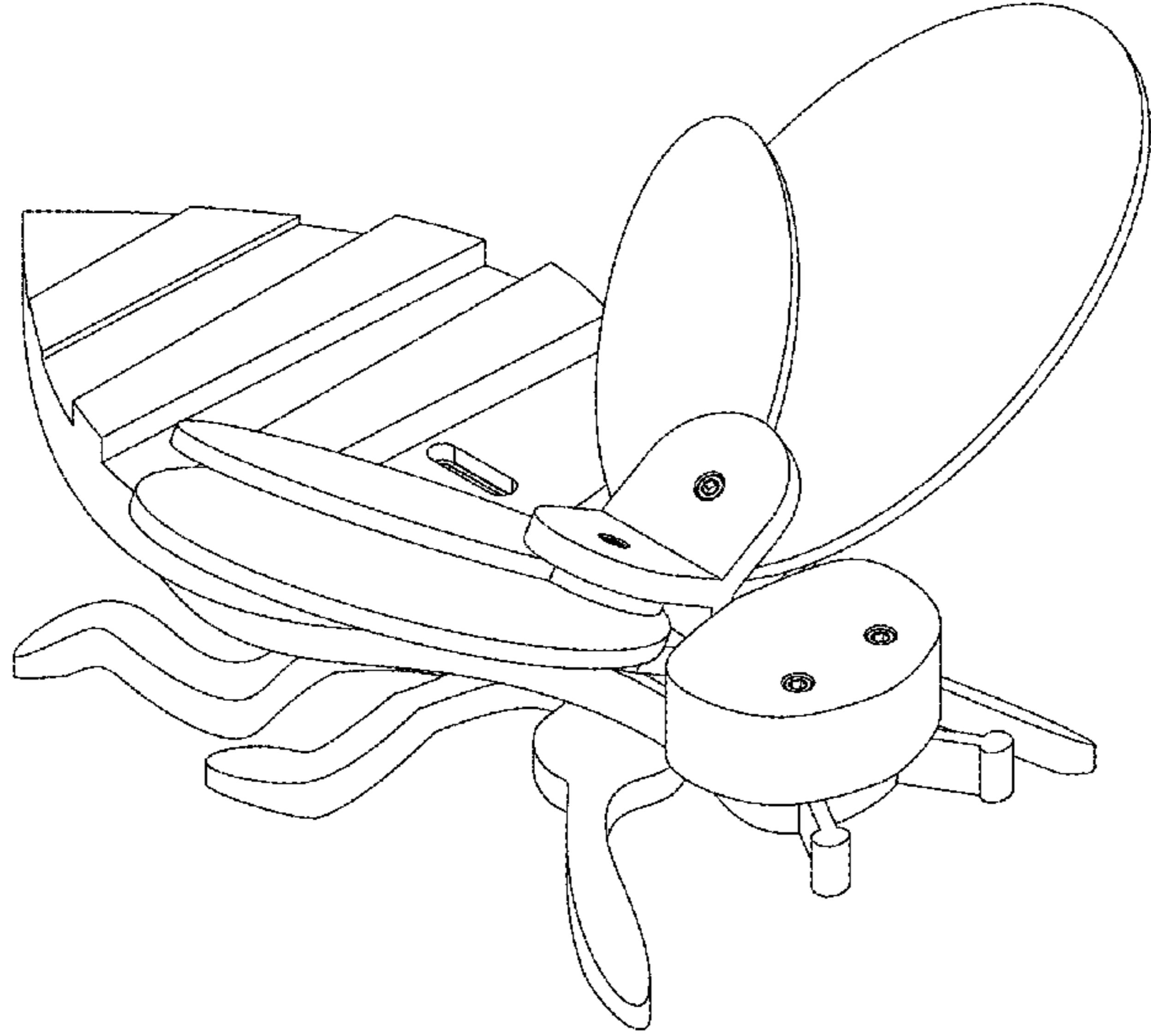
Primary Examiner — Sandra L Morris
 (74) *Attorney, Agent, or Firm* — Lee & Hayes, P.C.

(57) **CLAIM**
 The ornamental design for a bee, as shown and described.
DESCRIPTION

FIG. 1 is a top, front axonometric view of a bee showing the new design with wings of the bee in a neutral state;

FIG. 2 is a top, rear axonometric view of a bee showing the wings of the bee in a neutral state;
 FIG. 3 is a bottom, front axonometric view of a bee showing the new design with wings of the bee in a neutral state;
 FIG. 4 is a bottom, rear axonometric view of a bee showing the wings of the bee in a neutral state;
 FIG. 5 is a left elevation view of the bee with the wings of the bee in a neutral state;
 FIG. 6 is a right elevation view of the bee with the wings of the bee in a neutral state;
 FIG. 7 is a front elevation view of the bee with the wings of the bee in a neutral state;
 FIG. 8 is a rear elevation view of the bee with the wings of the bee in a neutral state;
 FIG. 9 is a top elevation view of the bee with the wings of the bee in a neutral state;
 FIG. 10 is a bottom elevation view of the bee with the wings of the bee in a neutral state;
 FIG. 11 is a top, front axonometric view of a bee with the wings of the bee in a flapping state;
 FIG. 12 is a top, rear axonometric view of a bee showing the wings of the bee in a flapping state;
 FIG. 13 is a bottom, front axonometric view of a bee showing the new design with wings of the bee in a flapping state;
 FIG. 14 is a bottom, rear axonometric view of a bee showing the wings of the bee in a flapping state;
 FIG. 15 is a left elevation view of the bee with the wings of the bee in a flapping state;
 FIG. 16 is a right elevation view of the bee with the wings of the bee in a flapping state;
 FIG. 17 is a front elevation view of the bee with the wings of the bee in a flapping state;
 FIG. 18 is a rear elevation view of the bee with the wings of the bee in a flapping state;
 FIG. 19 is a top elevation view of the bee with the wings of the bee in a flapping state; and,
 FIG. 20 is a bottom elevation view of the bee with the wings of the bee in a flapping state.

1 Claim, 20 Drawing Sheets



(58) **Field of Classification Search**

USPC 446/99, 268, 355–356, 368–369,
446/376–377, 428, 487; 180/8.6;
D30/160

CPC ... A63H 3/00; A63H 3/02; A63H 3/04; A63H
3/05; A63H 3/16; A63H 3/28; A63H
3/36; A63H 7/06; A63H 11/00; A63H
11/10; A63H 11/20; A63H 11/205; A63H
13/00; A63H 33/04; A63H 33/08; A63H
33/042; A63H 23/10; A63H 5/00

See application file for complete search history.

(56) **References Cited**

U.S. PATENT DOCUMENTS

D164,785 S * 10/1951 Lustig A63H 3/16
D21/650
D219,986 S * 2/1971 Horwitz D11/158
D416,047 S * 11/1999 Kwok D21/650
5,993,286 A * 11/1999 Tacquard A63H 13/02
446/35
D450,791 S * 11/2001 Grimm D21/650
D484,198 S * 12/2003 Weiser D21/650
D607,764 S * 1/2010 Lin A63H 13/02
D21/650
D682,368 S * 5/2013 Mimlitch, III D21/650
D713,478 S * 9/2014 Southerland D21/650

* cited by examiner

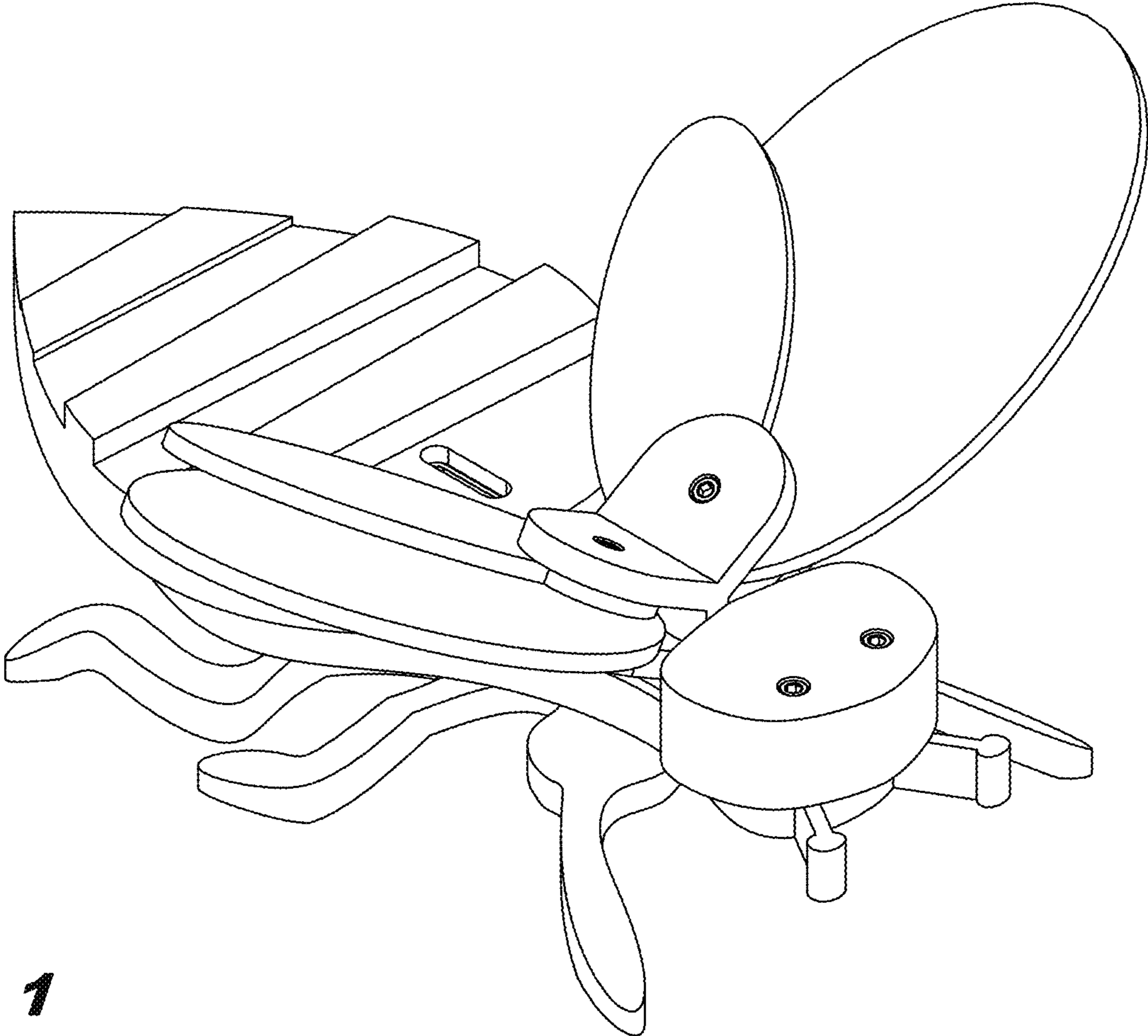


Fig. 1

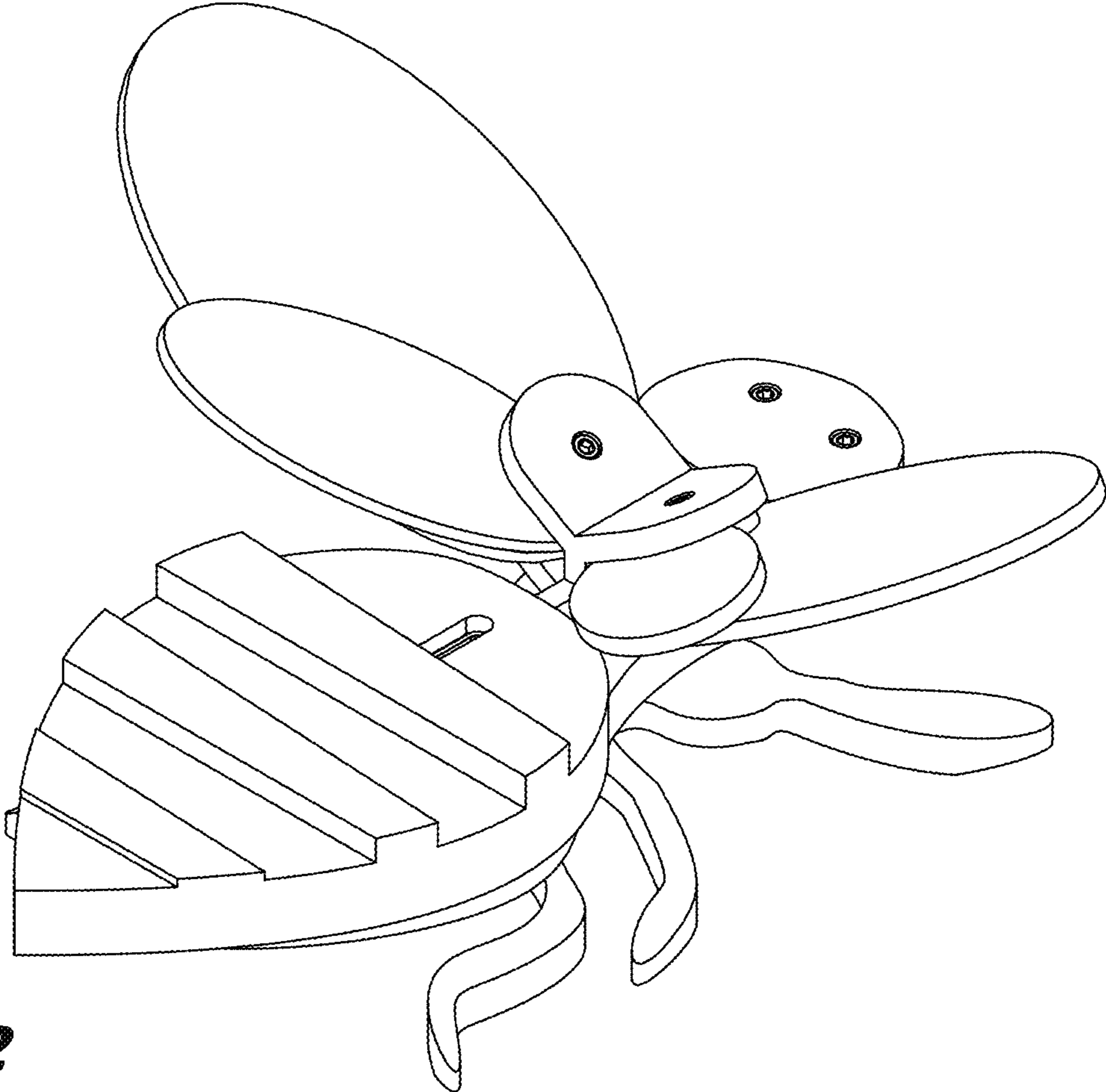


Fig. 2

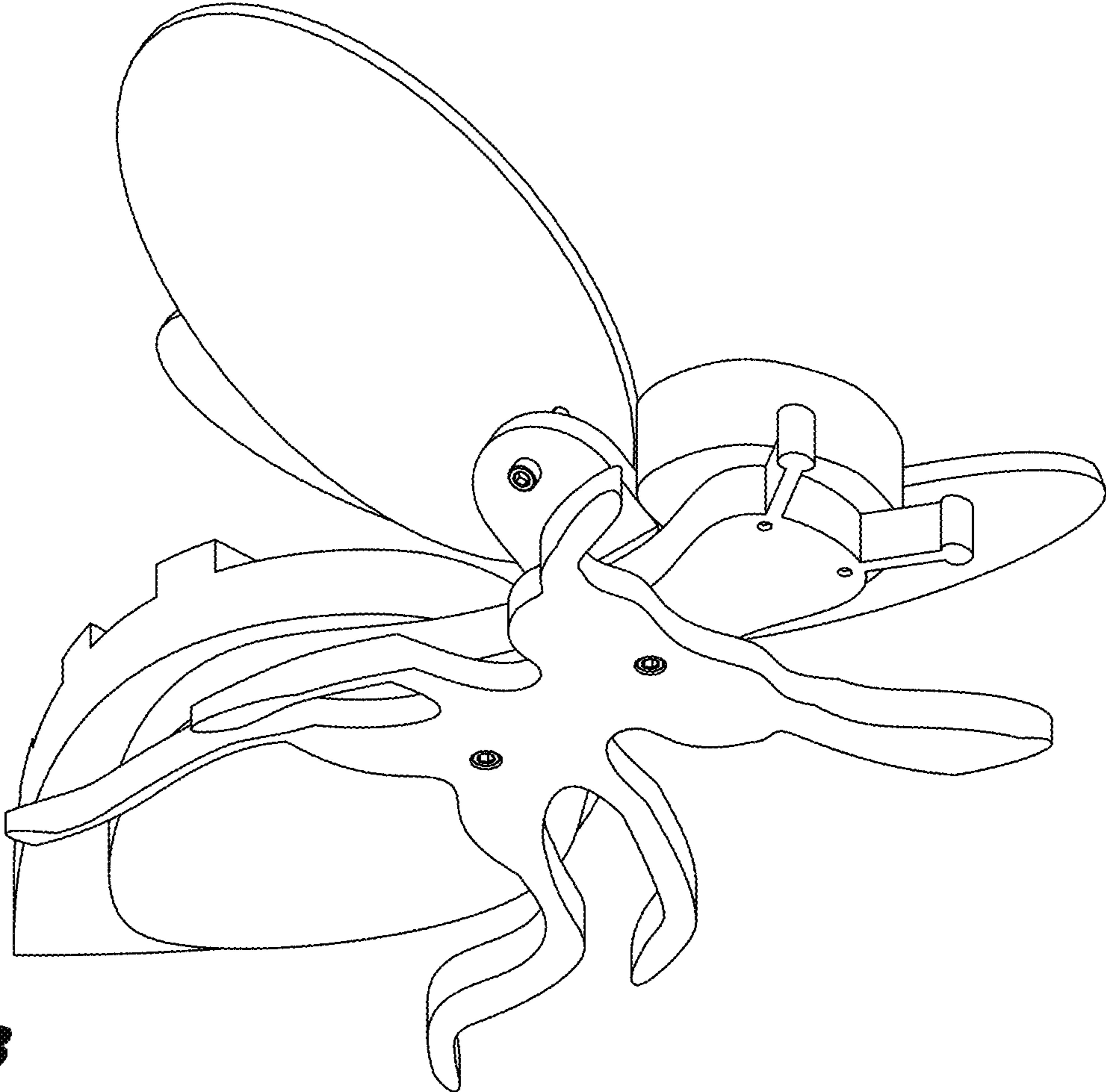


Fig. 3

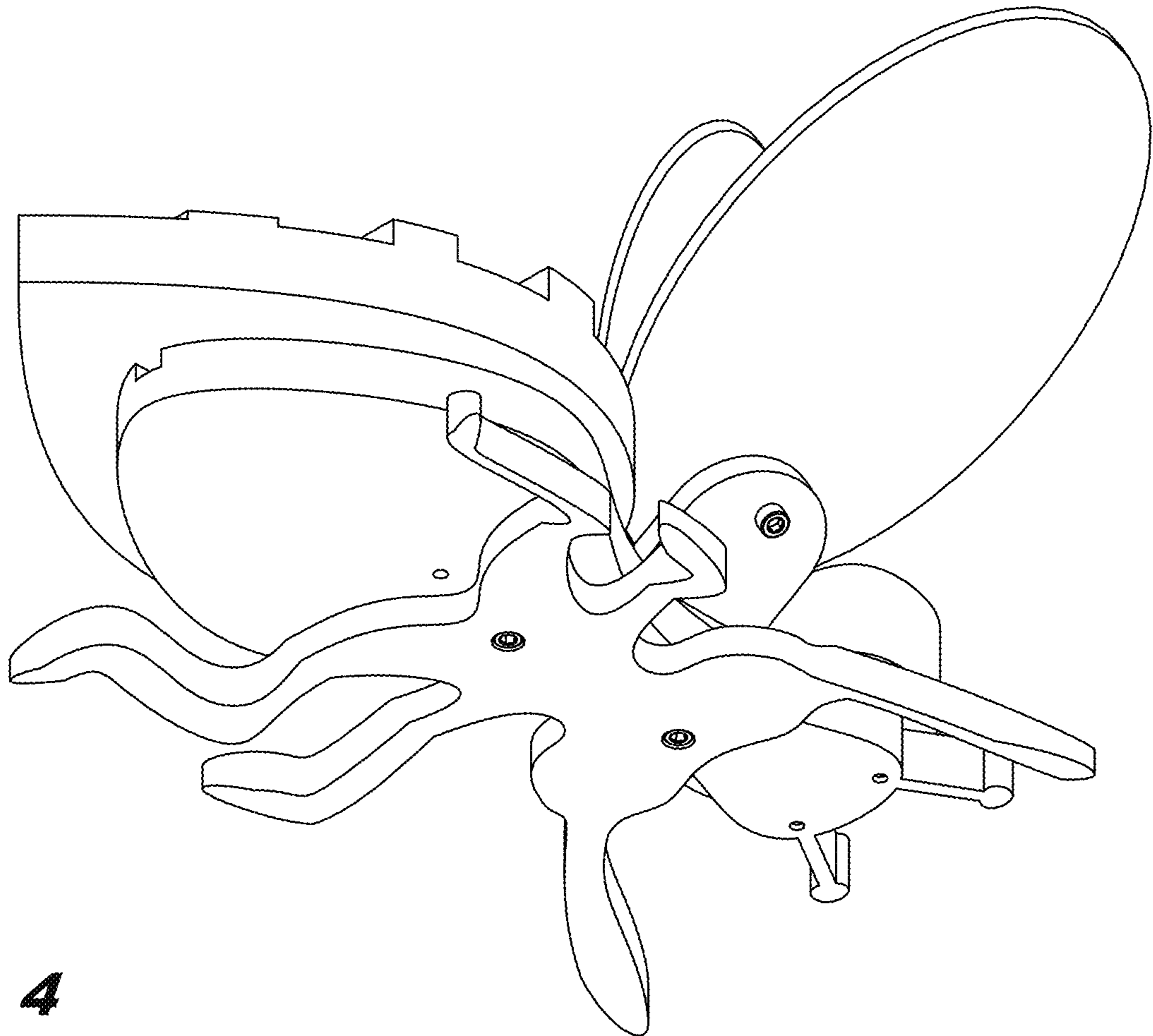


Fig. 4

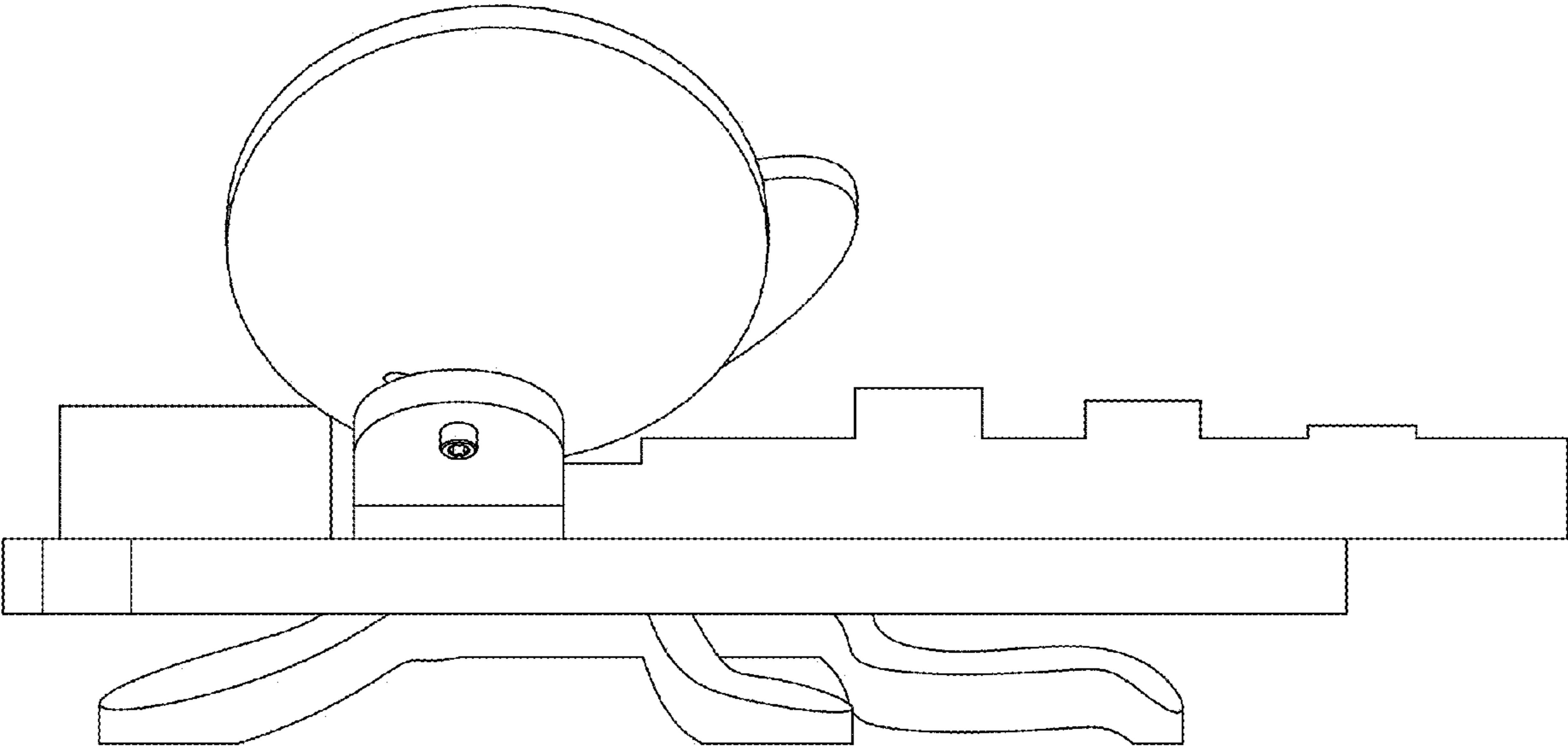


Fig. 5

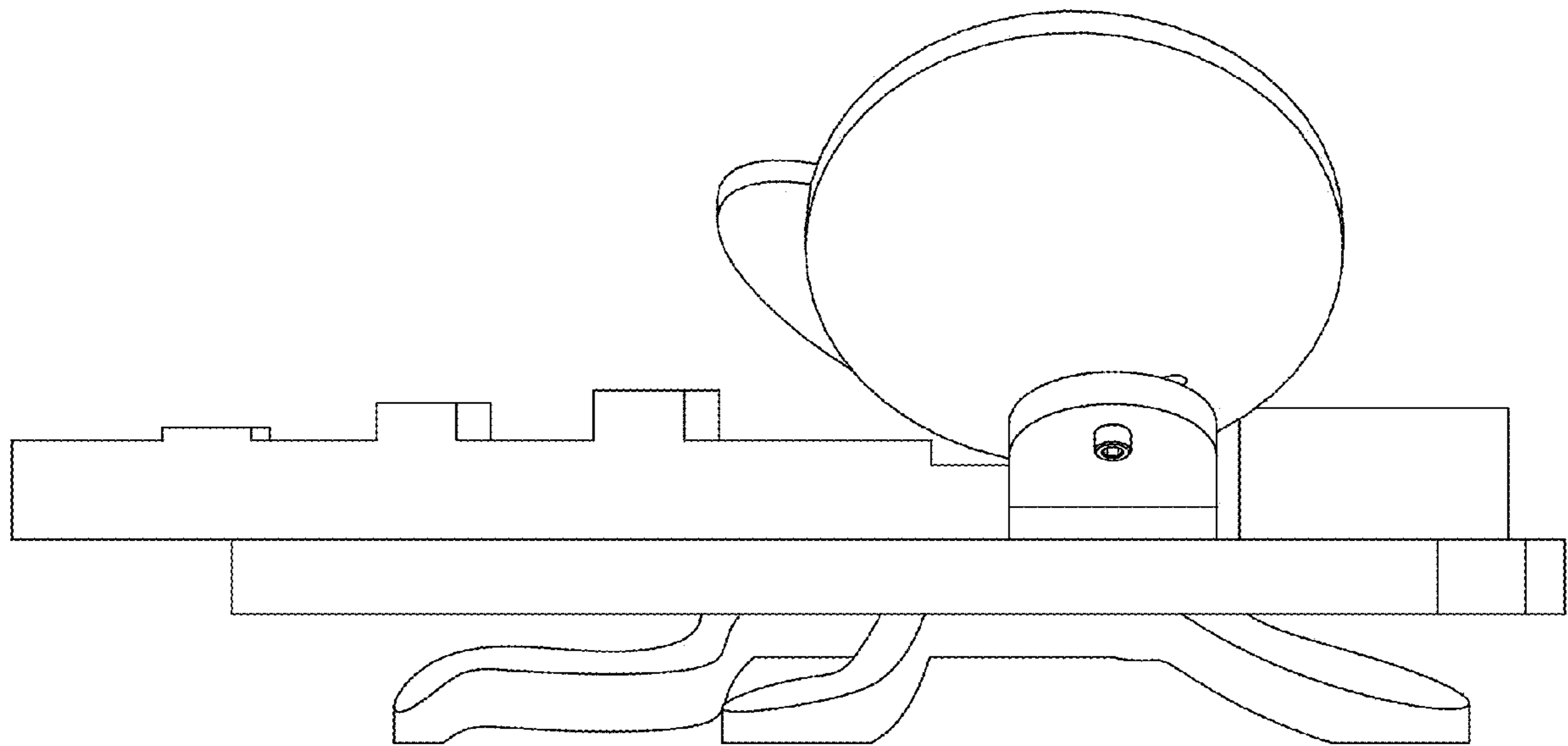


Fig. 6

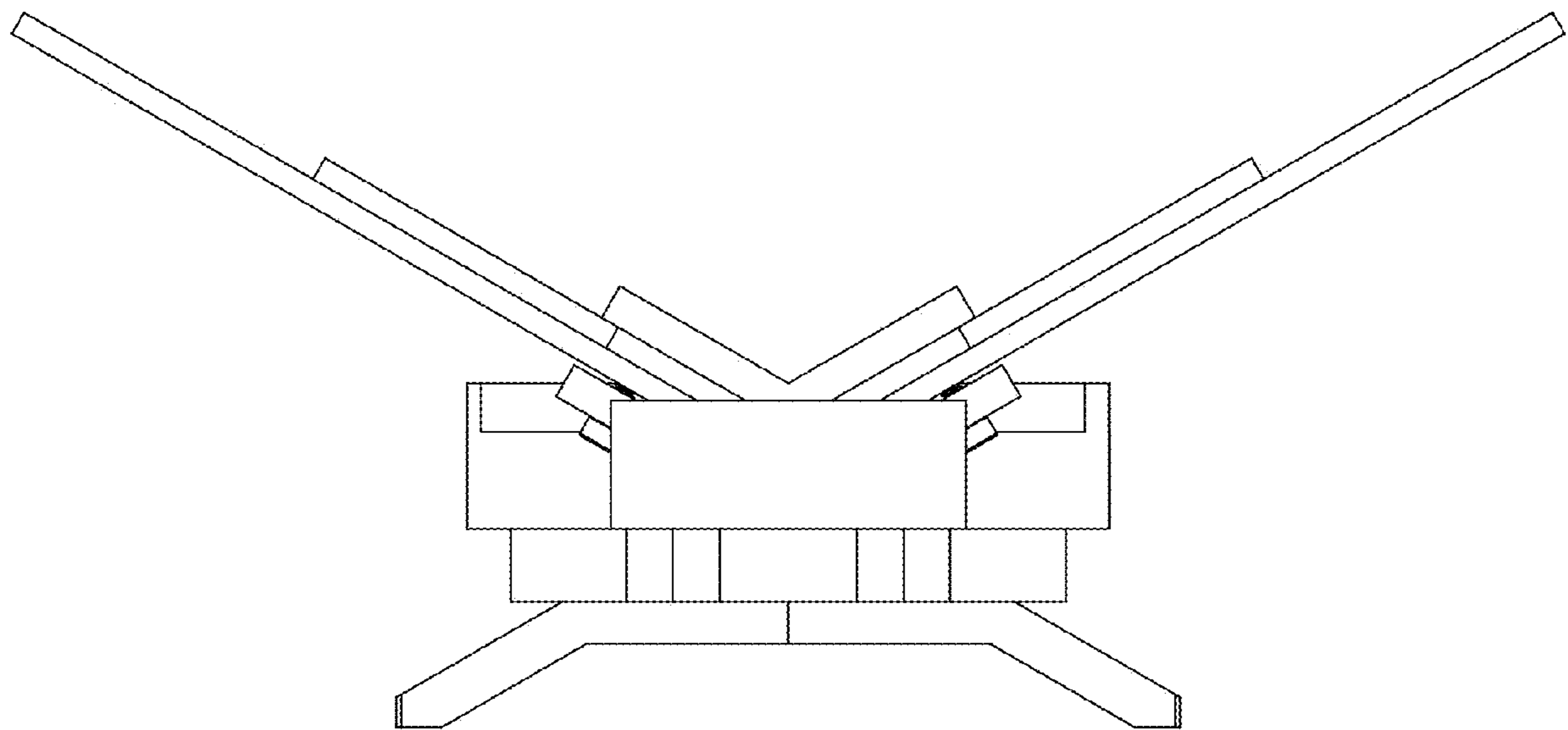


Fig. 7

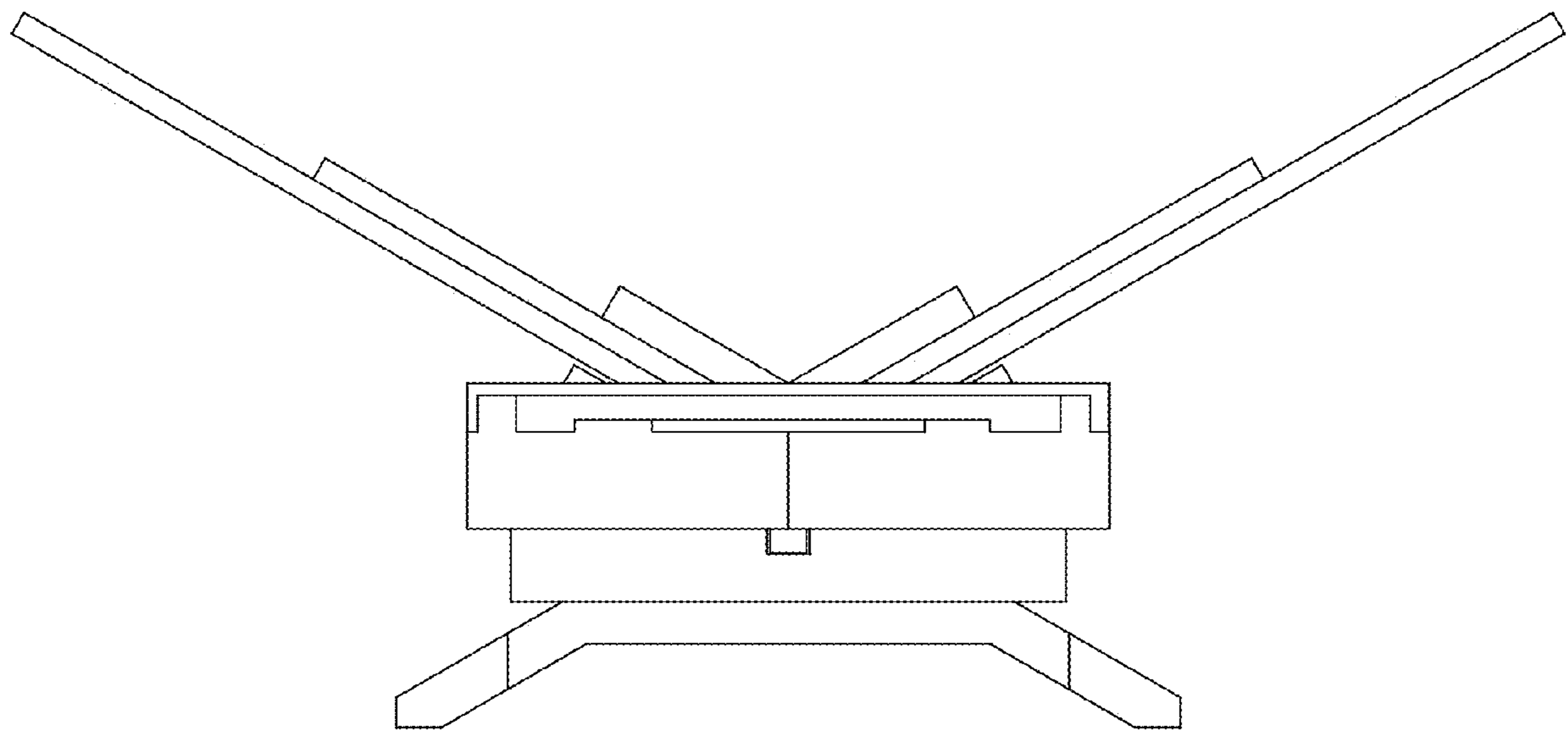


Fig. 8

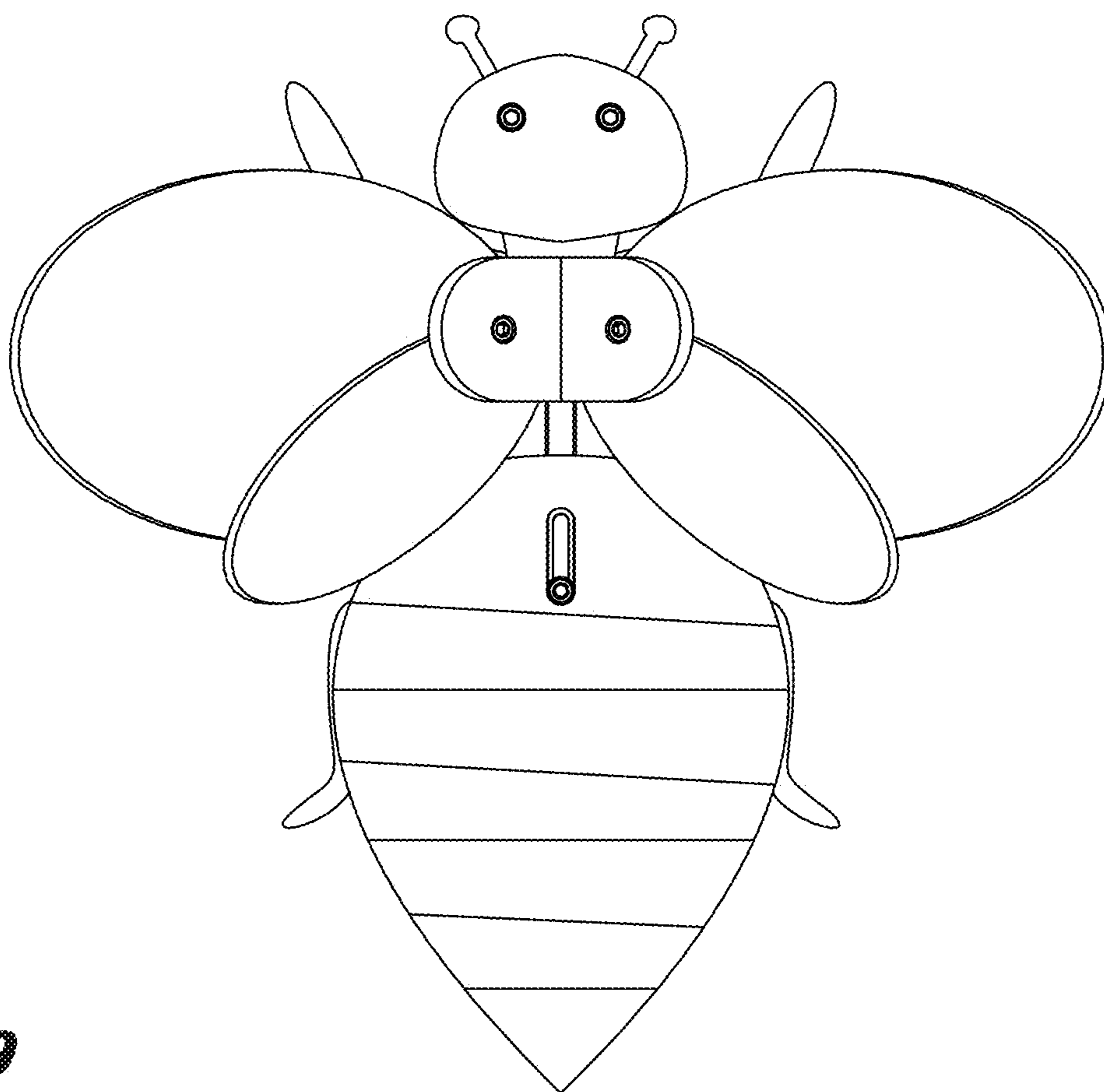


Fig. 9

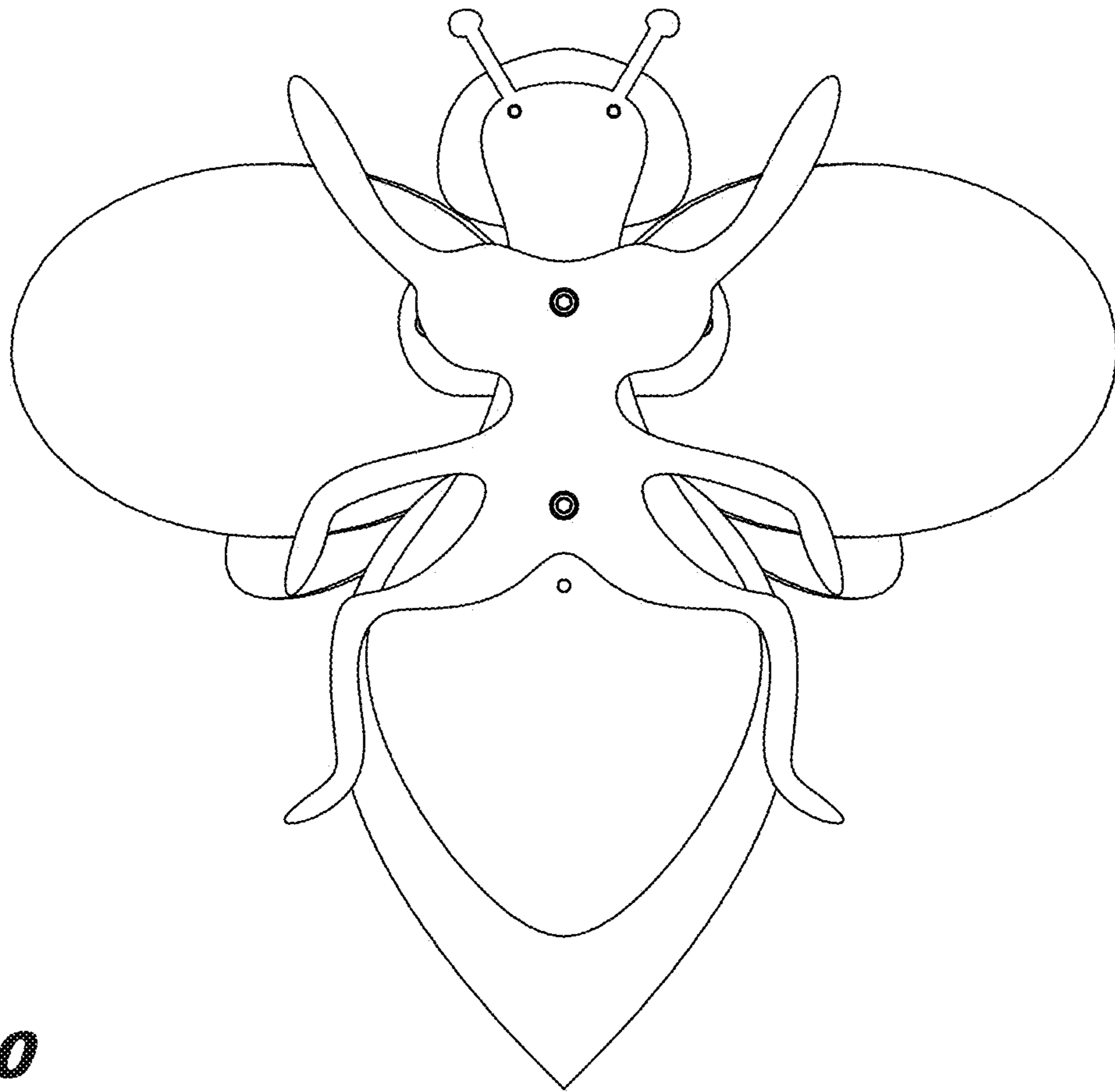


Fig. 10

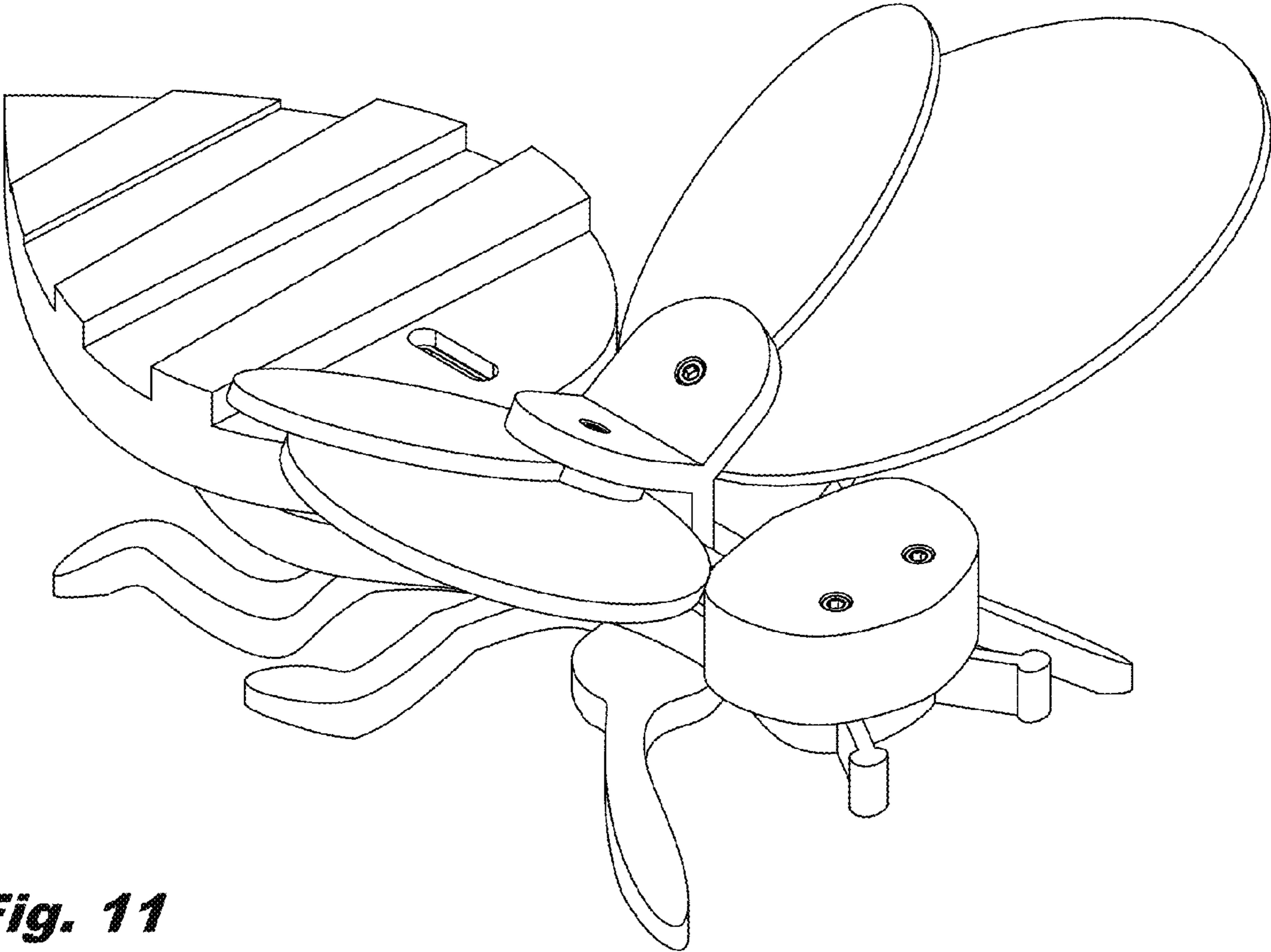


Fig. 11

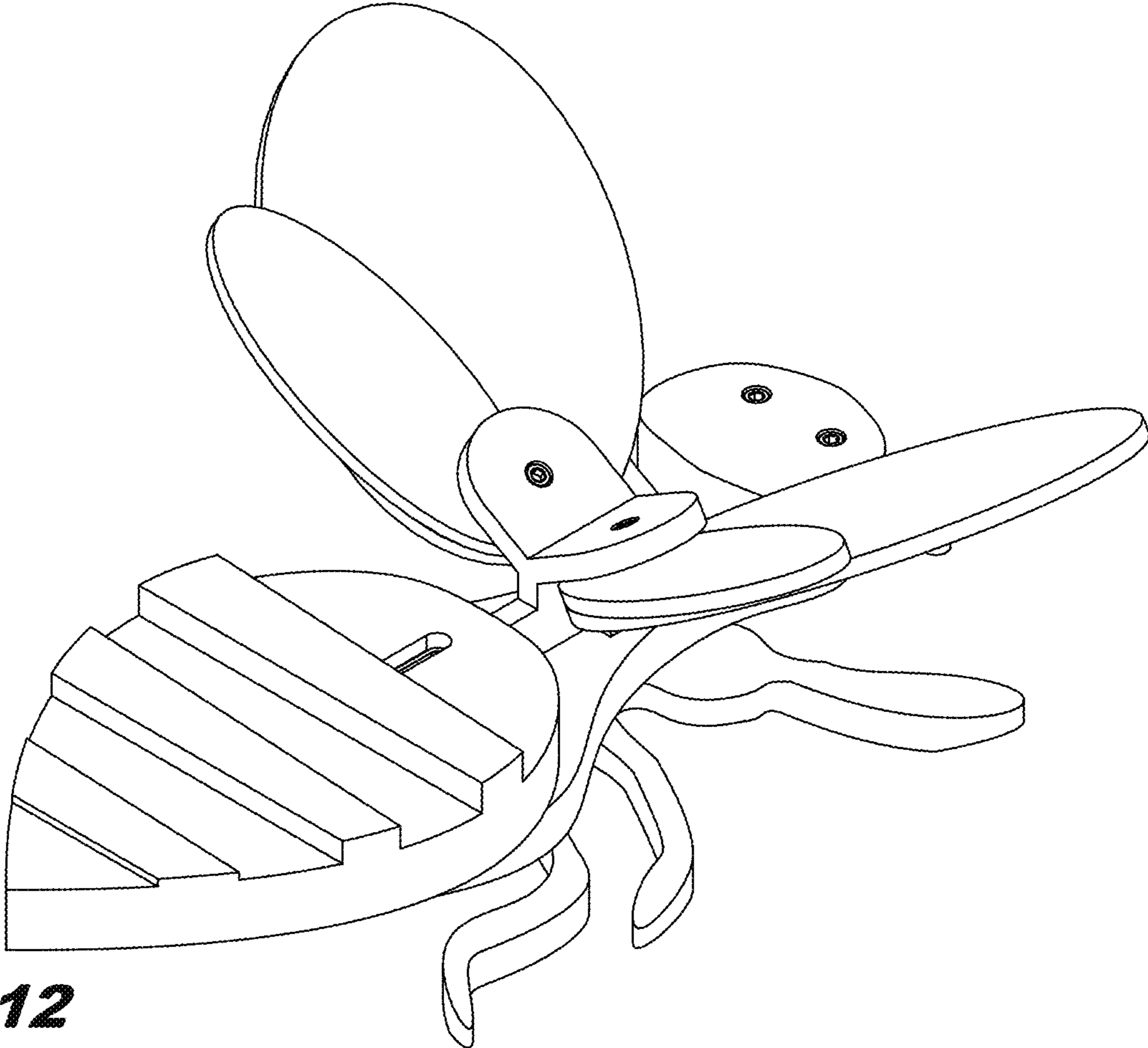


Fig. 12

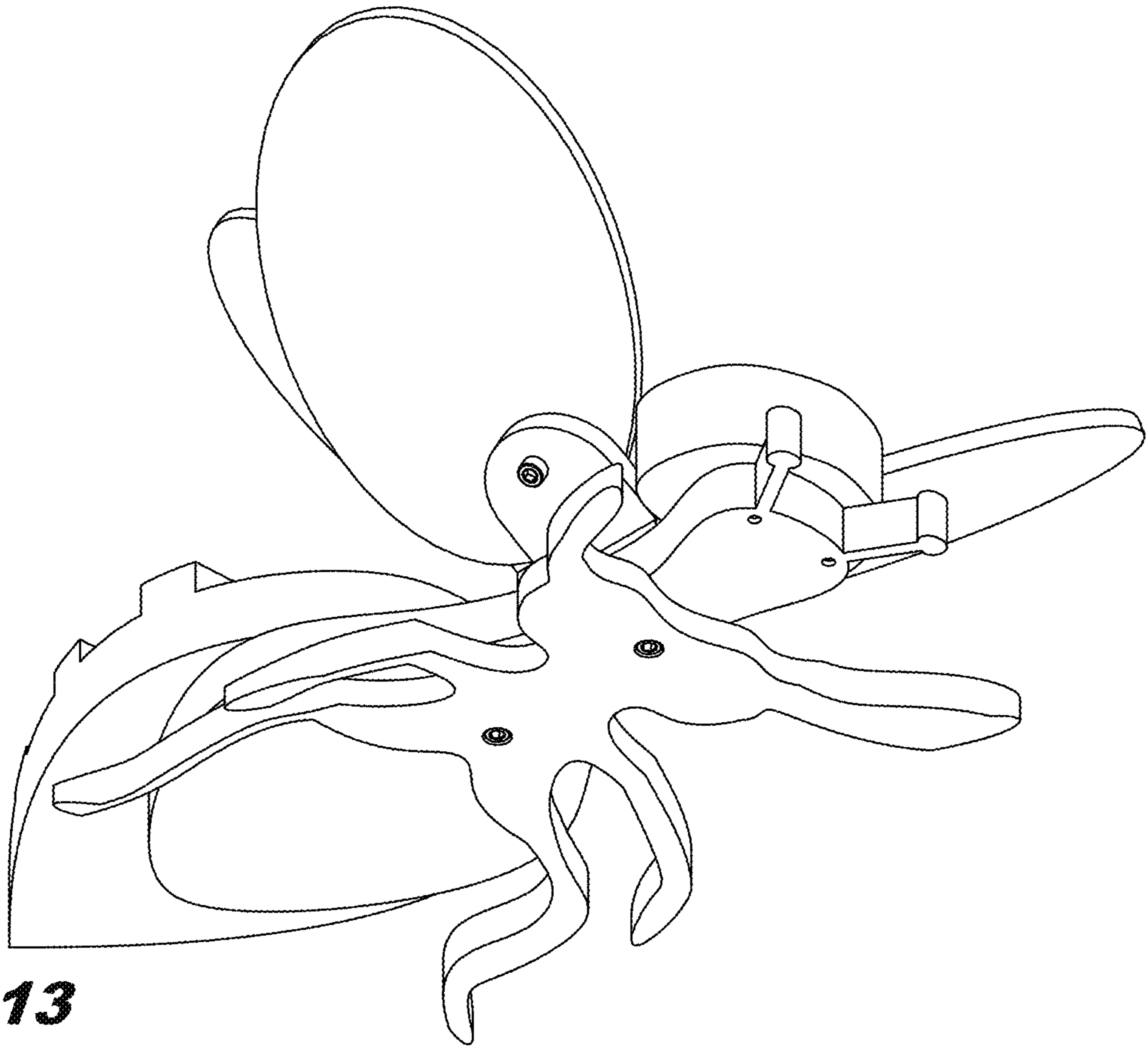


Fig. 13

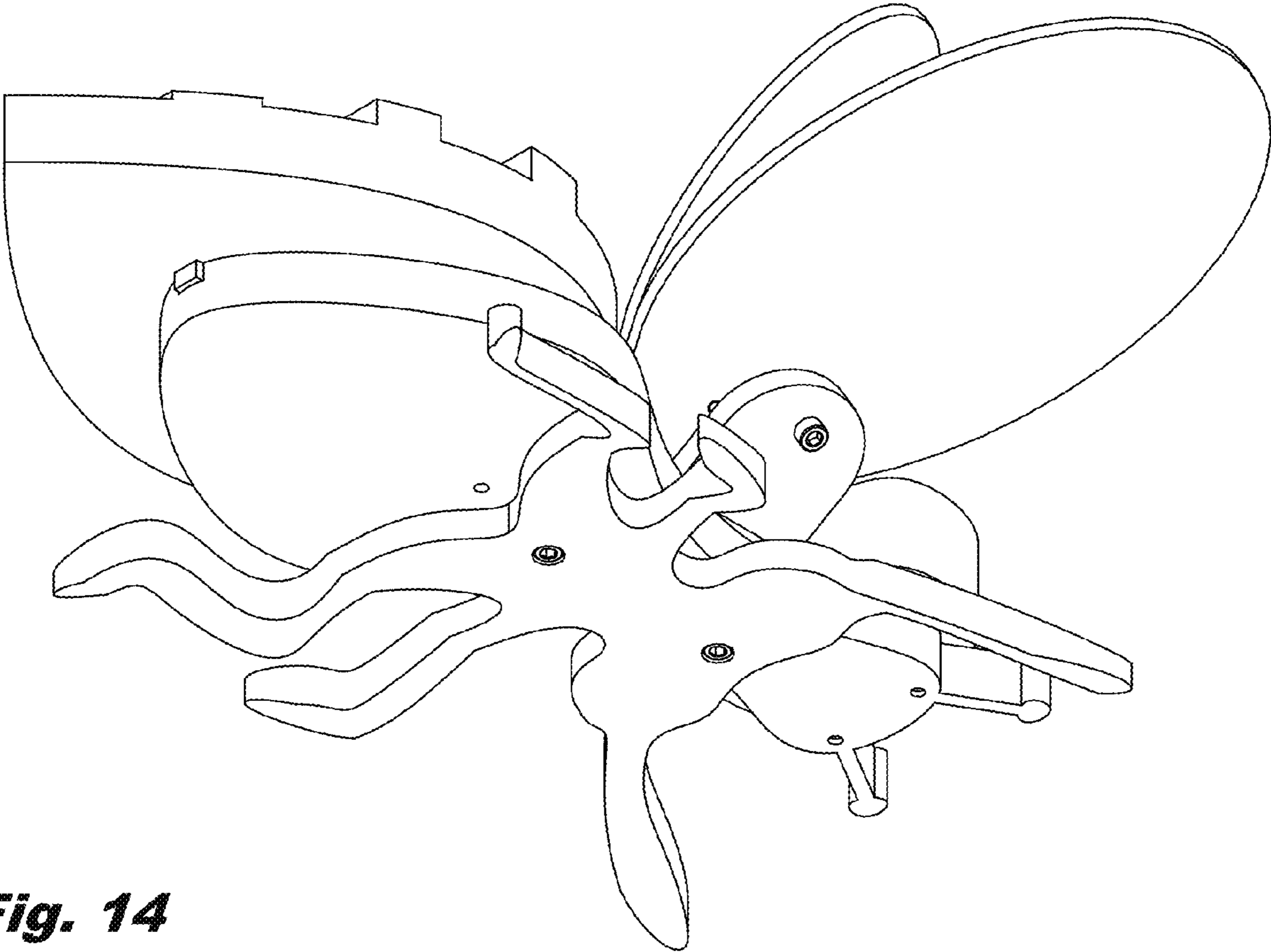


Fig. 14

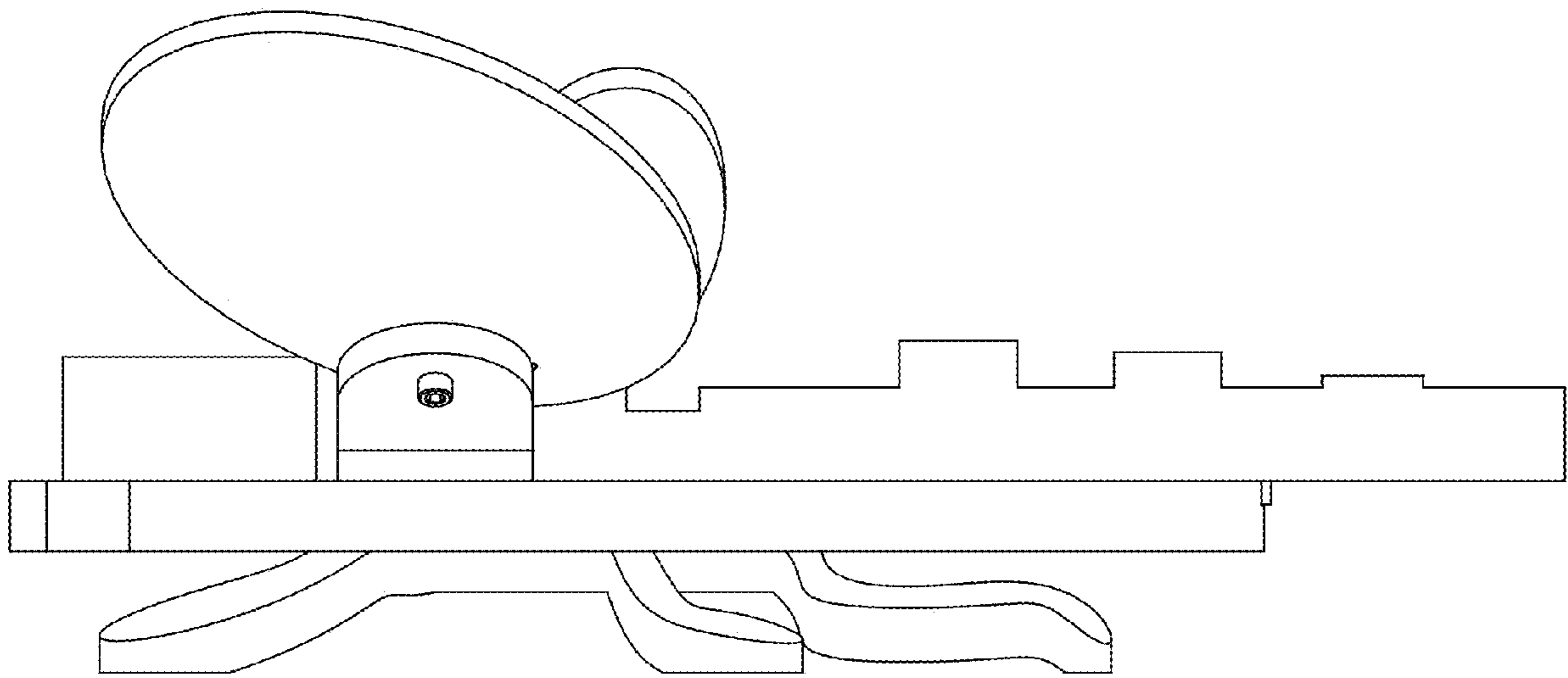


Fig. 15

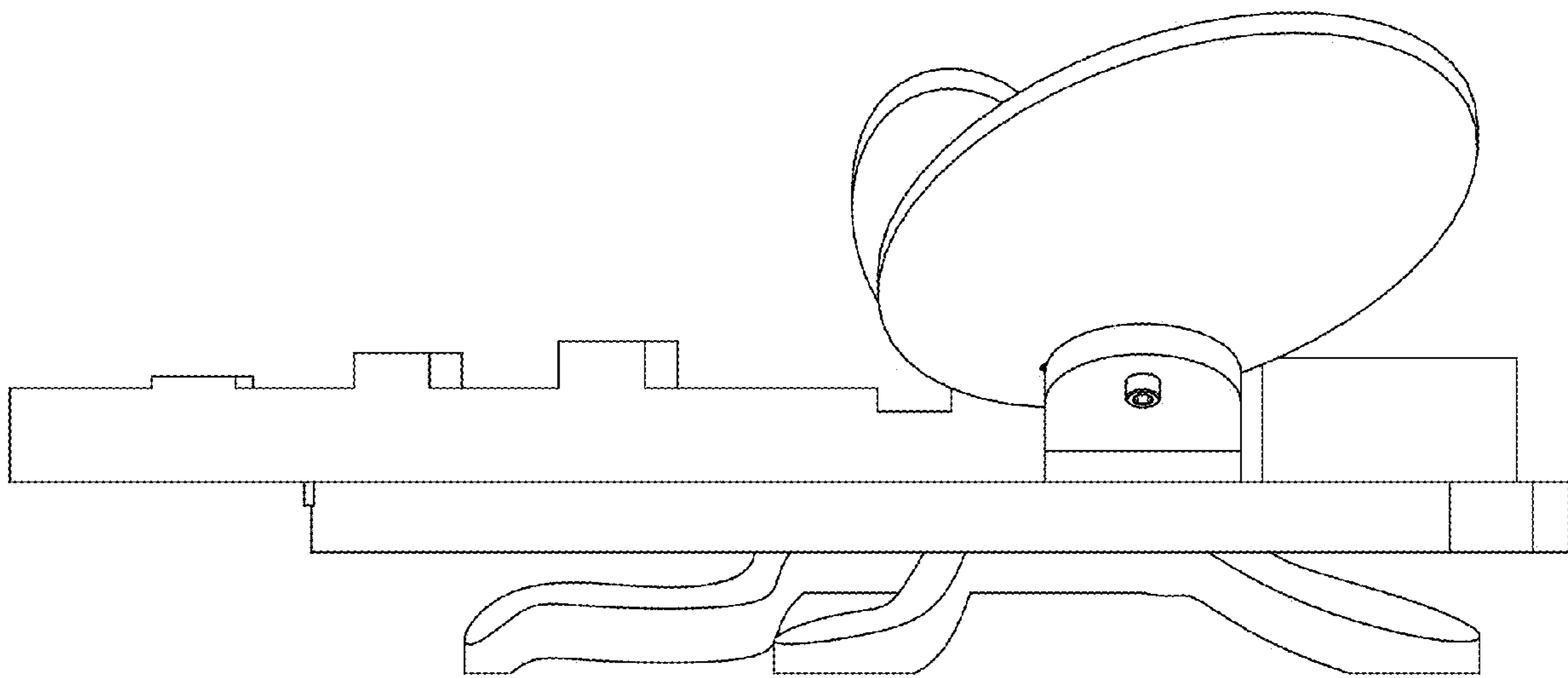


Fig. 16

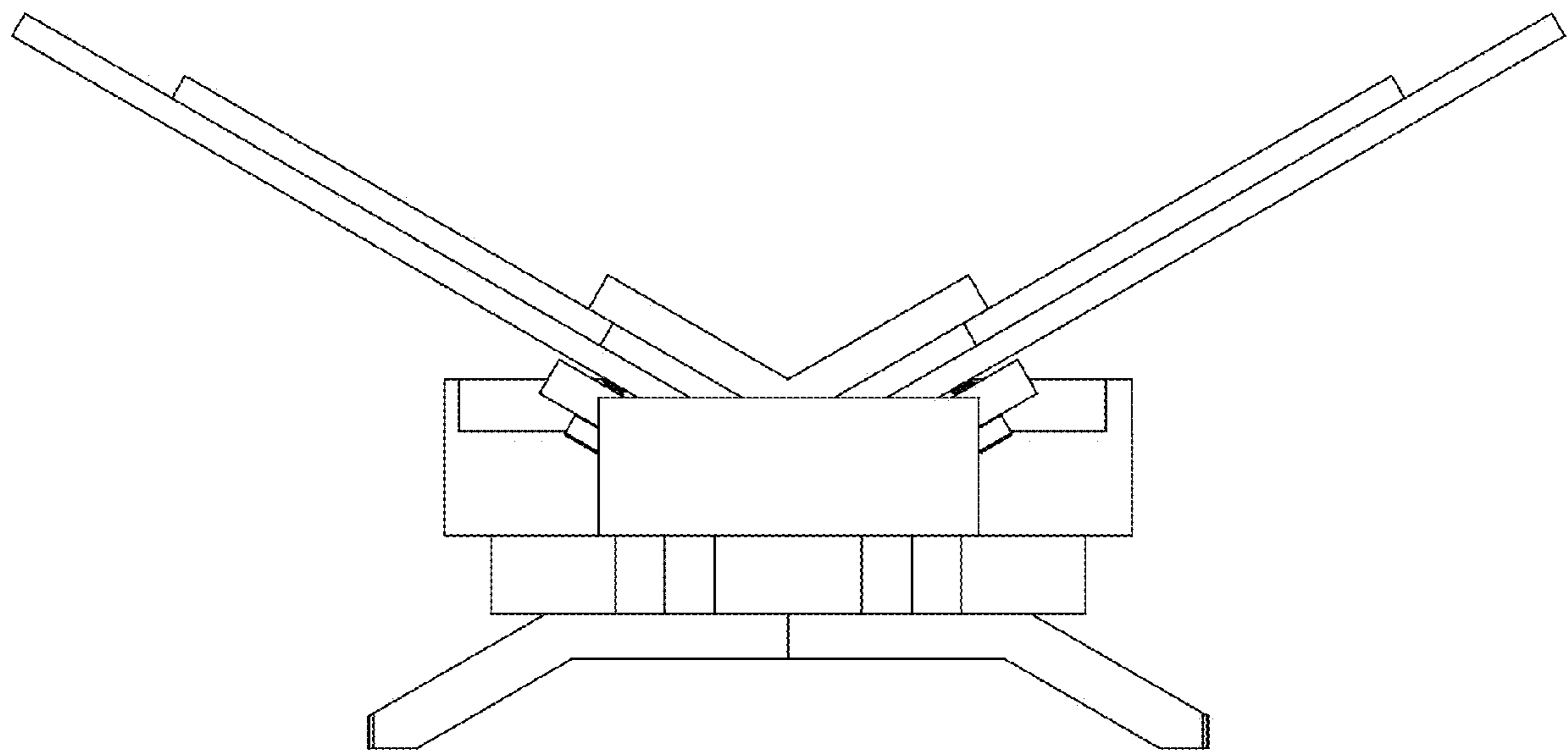


Fig. 17

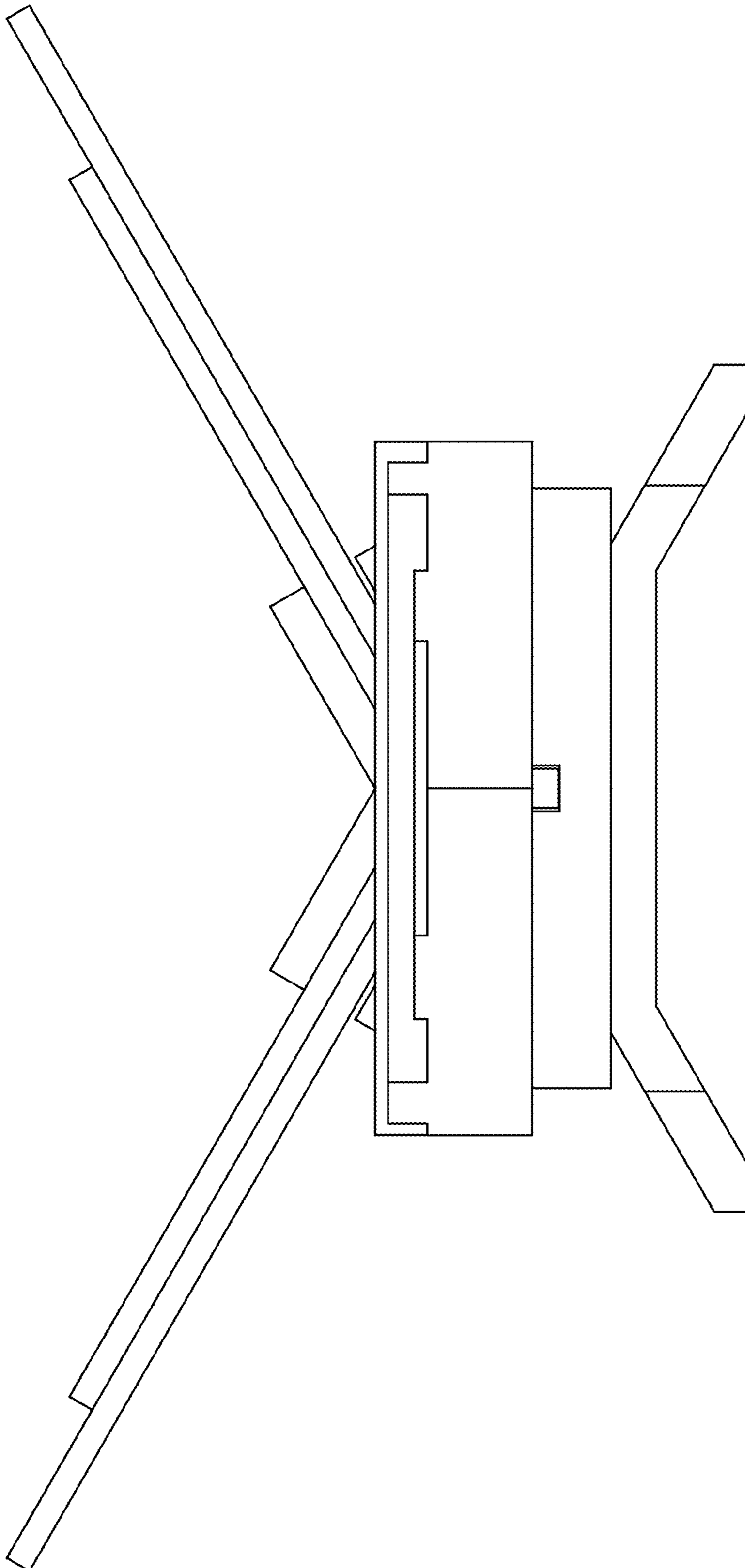


Fig. 18

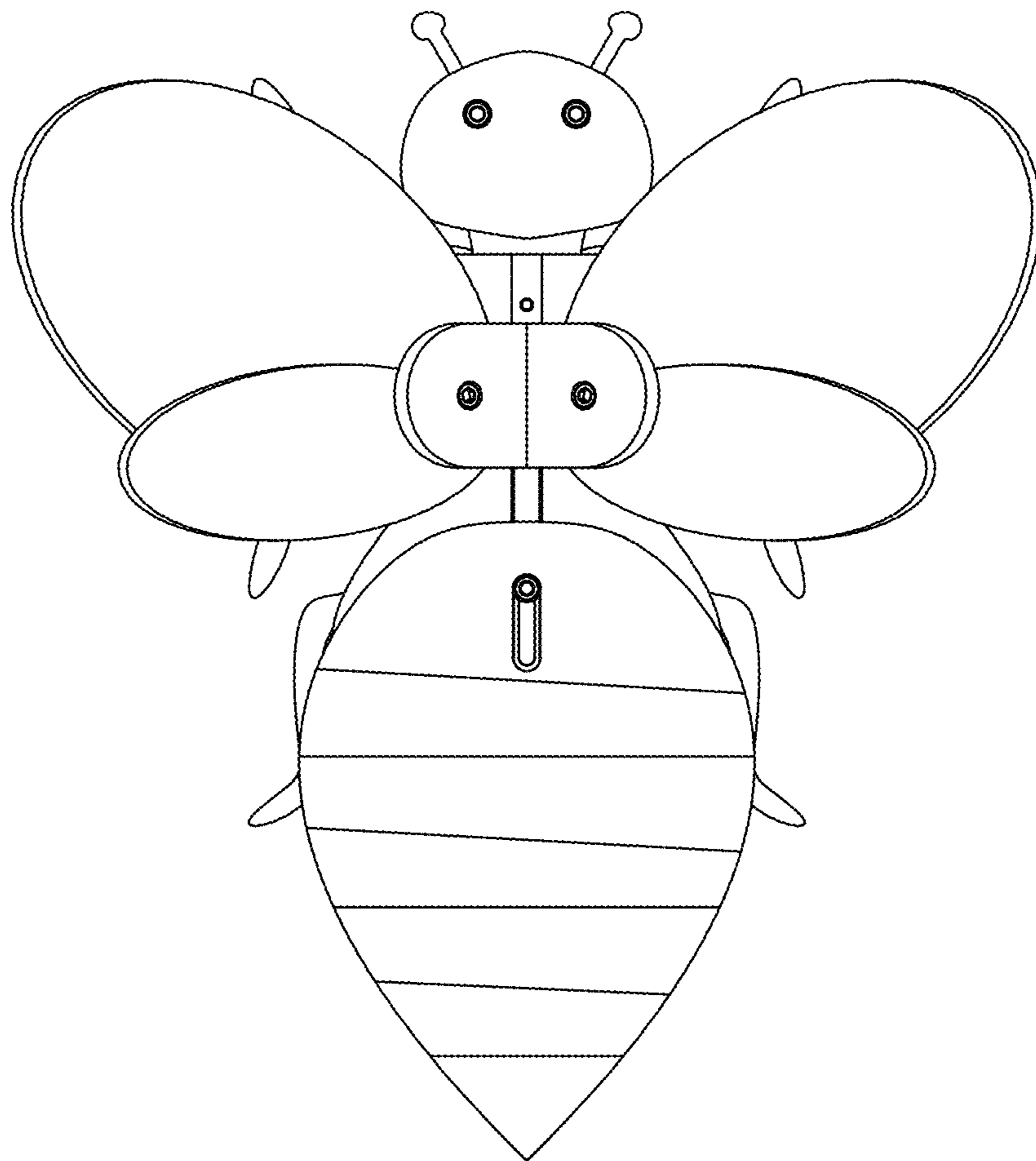


Fig. 19

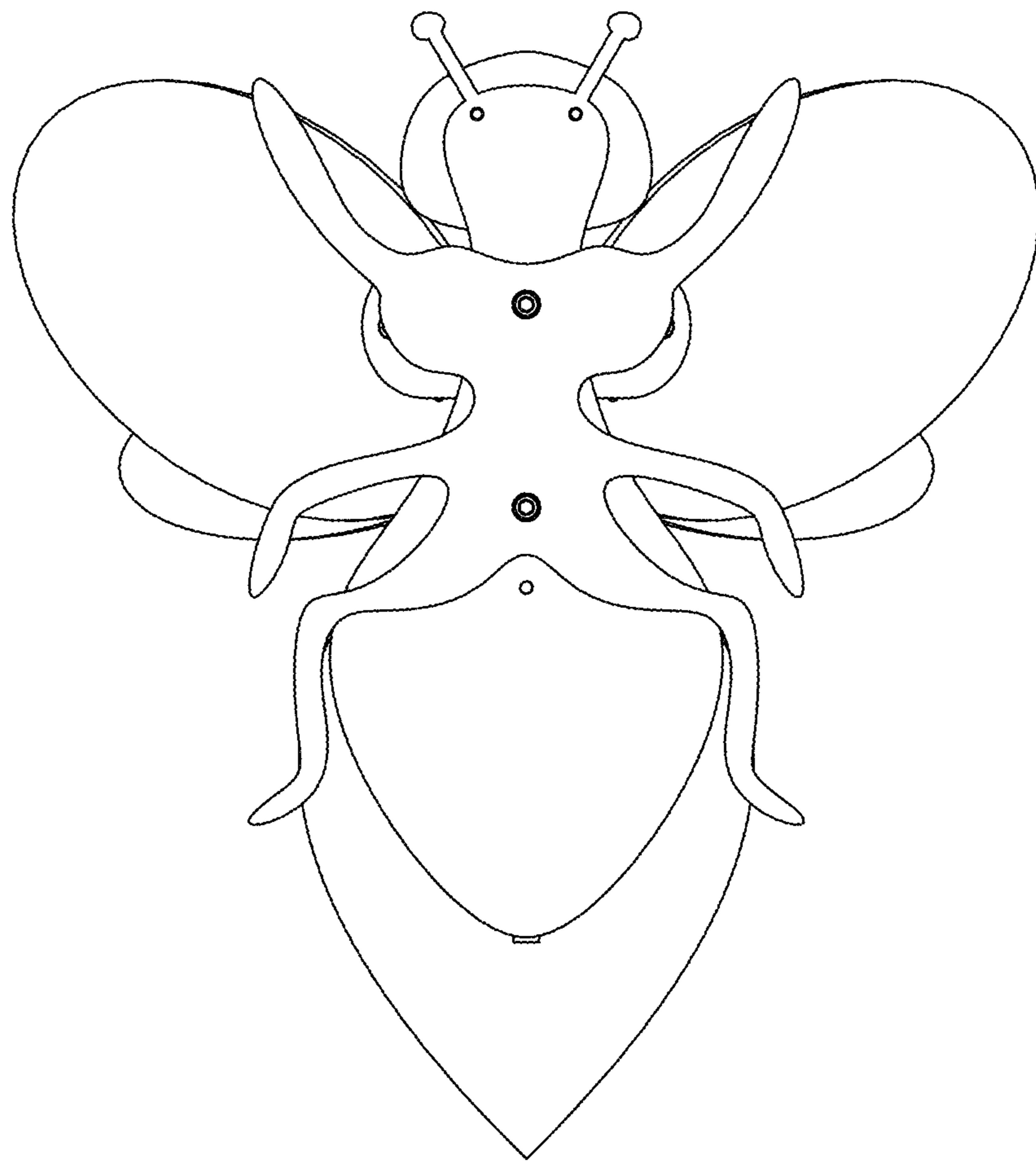


Fig. 20