



US00D875185S

(12) **United States Design Patent**
Zeng

(10) **Patent No.:** **US D875,185 S**

(45) **Date of Patent:** **** Feb. 11, 2020**

(54) **CARD DELIVERING TOY**

(71) Applicant: **Ming-He Zeng**, Jian (CN)

(72) Inventor: **Ming-He Zeng**, Jian (CN)

(**) Term: **15 Years**

(21) Appl. No.: **29/675,018**

(22) Filed: **Dec. 28, 2018**

(51) **LOC (12) Cl.** **21-01**

(52) **U.S. Cl.**
USPC **D21/552**

(58) **Field of Classification Search**
USPC D21/533, 534, 535, 536, 552, 559, 560,
D21/561, 562; D12/93, 94, 95, 96, 97,
D12/98, 99, 100
CPC A63H 17/05; A63H 17/06; A63H 17/08;
A63H 17/10
See application file for complete search history.

(56) **References Cited**

U.S. PATENT DOCUMENTS

D230,176 S * 1/1974 Smart D21/558
D382,922 S * 8/1997 Dirden D21/552
D450,785 S * 11/2001 Walls D21/552

D459,411 S * 6/2002 Berger D21/552
D564,045 S * 3/2008 Fallas D21/434
D643,340 S * 8/2011 Pottieri D12/98
D652,353 S * 1/2012 Cohen D12/93
D653,993 S * 2/2012 Cohen D12/93
D836,491 S * 12/2018 Elbaz D12/93

* cited by examiner

Primary Examiner — George D. Kirschbaum
Assistant Examiner — Joseph J Kukella
(74) *Attorney, Agent, or Firm* — ScienBiziP, P.C.

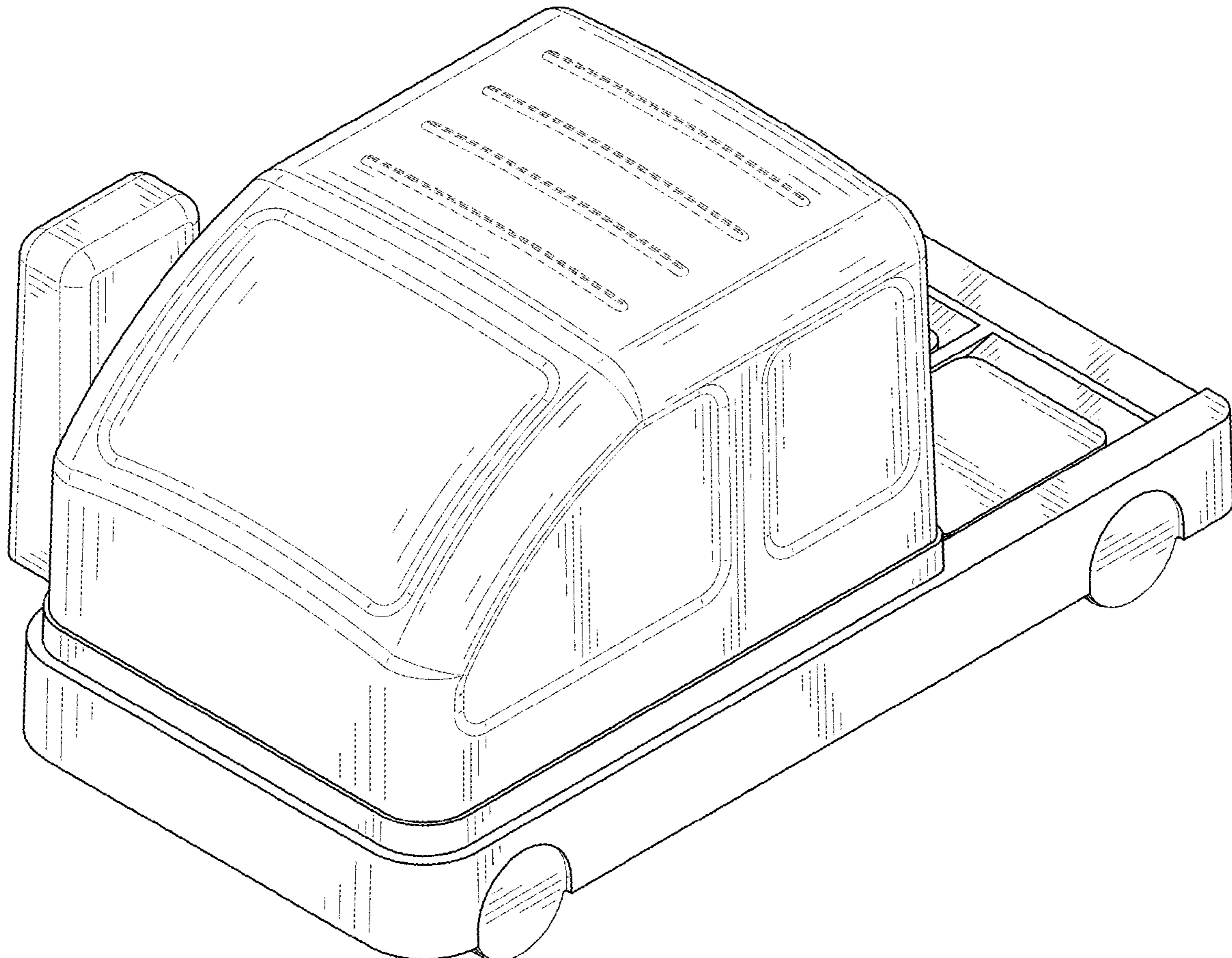
(57) **CLAIM**

The ornamental design for card delivering toy, as shown and described.

DESCRIPTION

FIG. 1 is a first perspective view of card delivering toy showing the claimed new design;
FIG. 2 is a second perspective view thereof;
FIG. 3 is a front elevation view thereof;
FIG. 4 is a rear elevation view thereof.
FIG. 5 is a left side elevation view thereof;
FIG. 6 is a right side elevation view thereof;
FIG. 7 is a top plan view thereof; and,
FIG. 8 is a bottom plan view thereof.
In the drawings, the broken lines depict portions of the article that form no part of the claimed design.

1 Claim, 8 Drawing Sheets



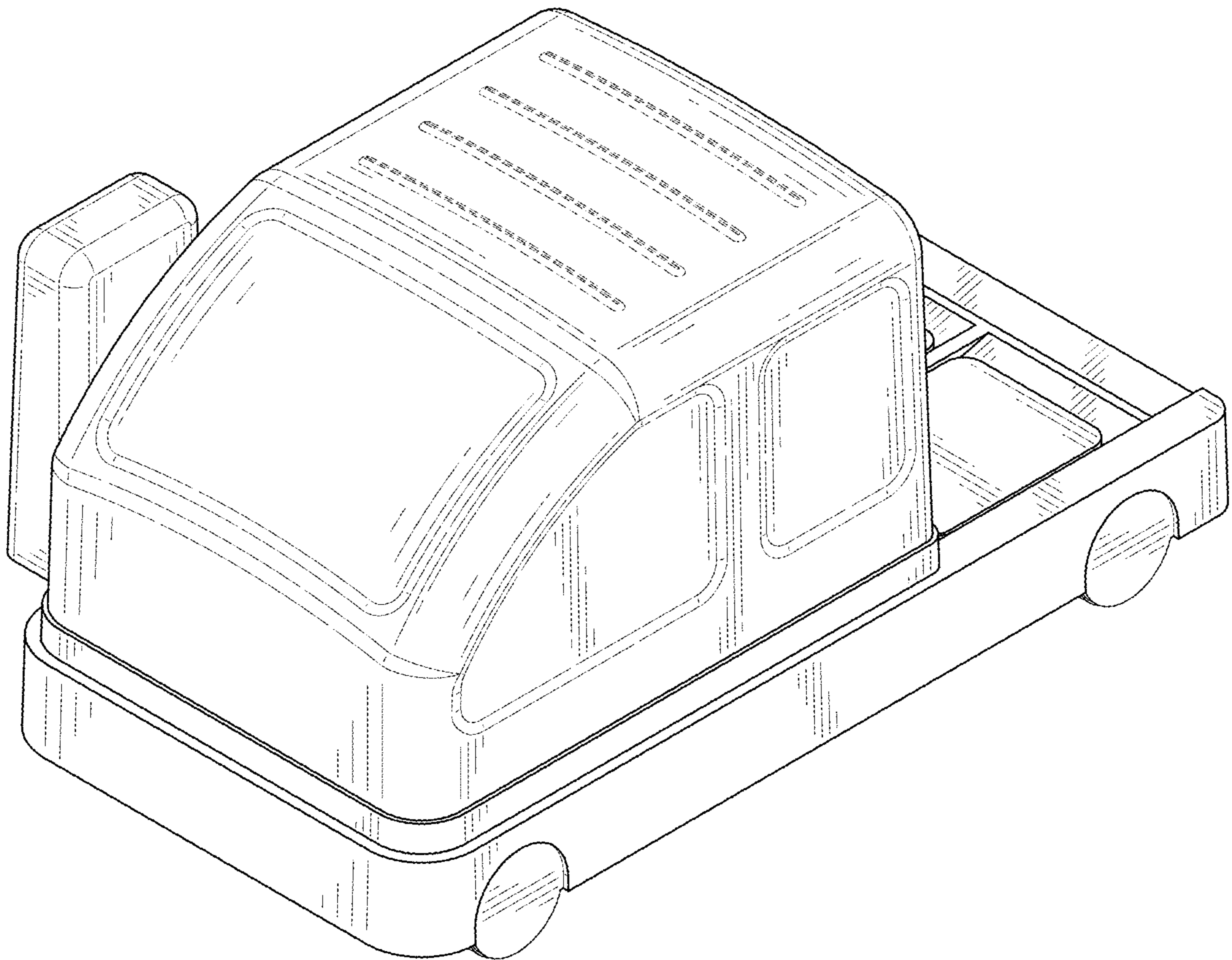


FIG. 1

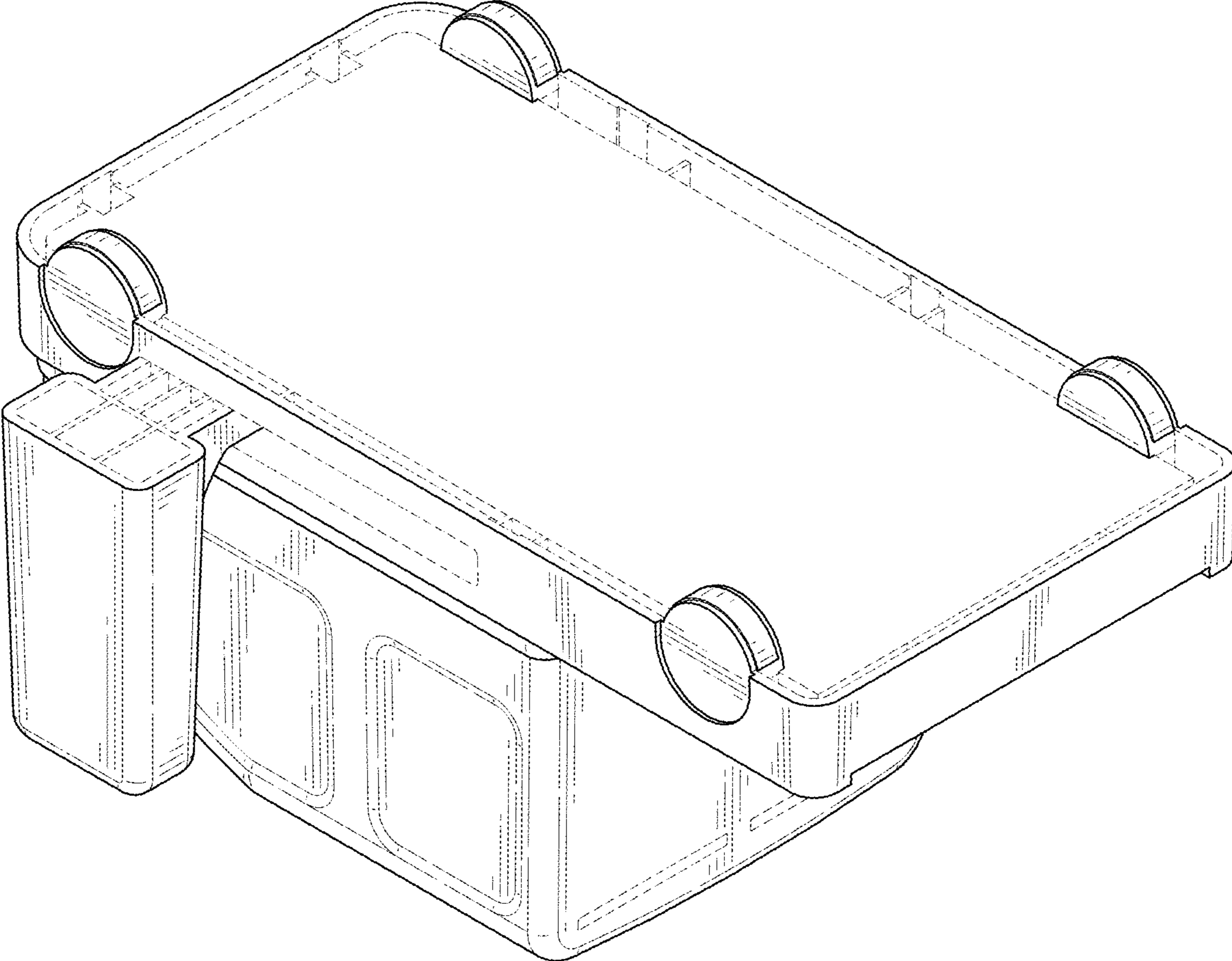


FIG. 2

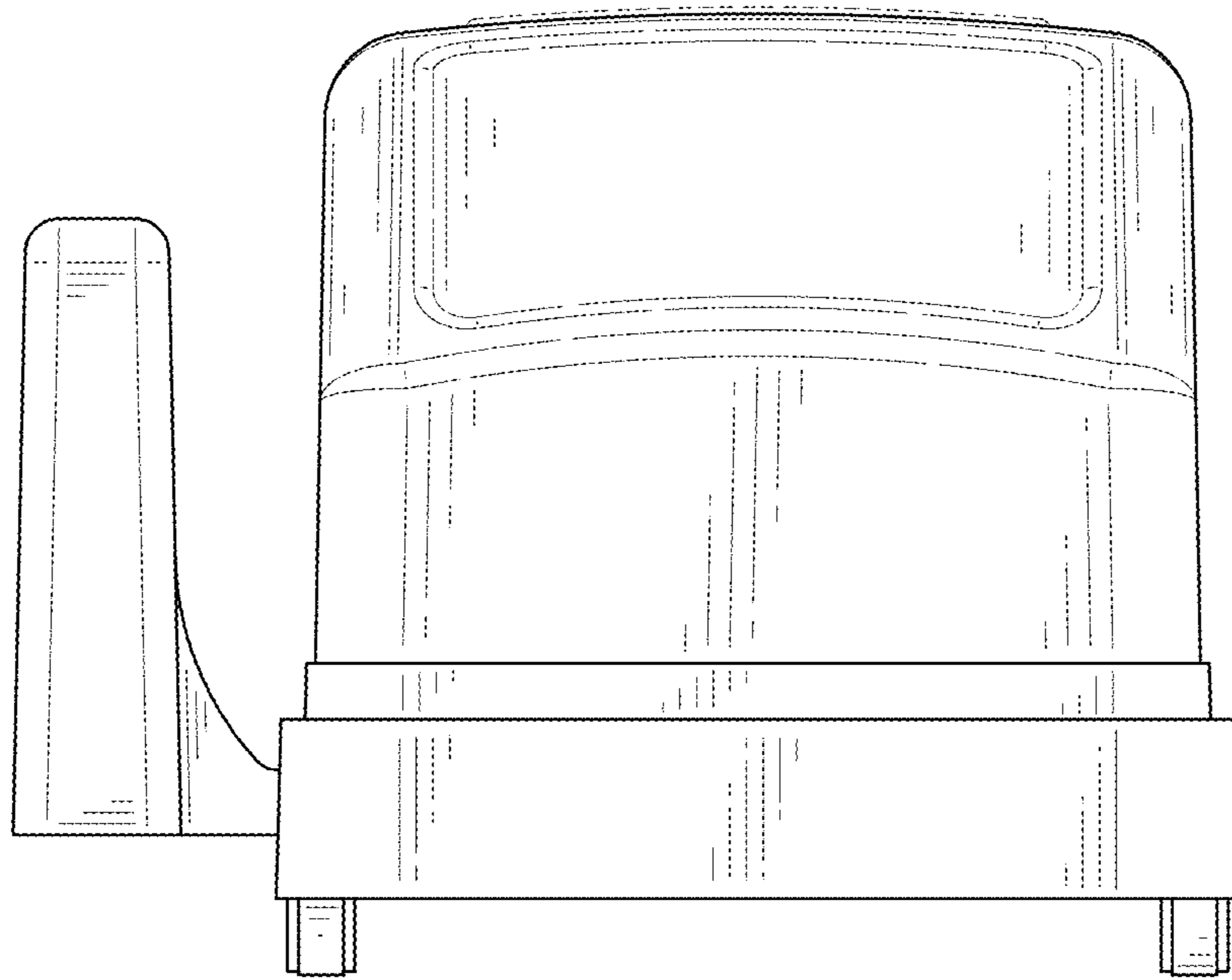


FIG. 3

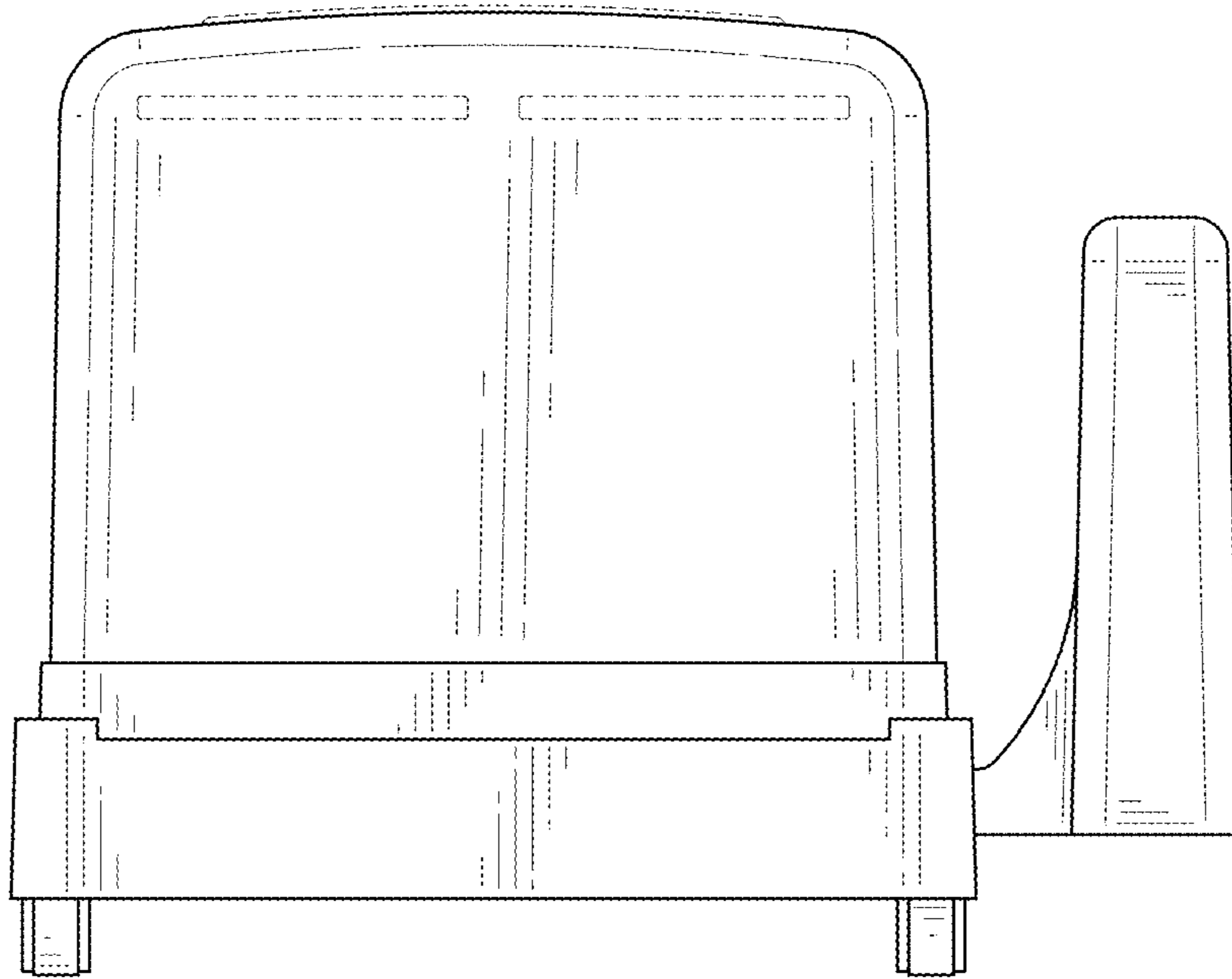


FIG. 4

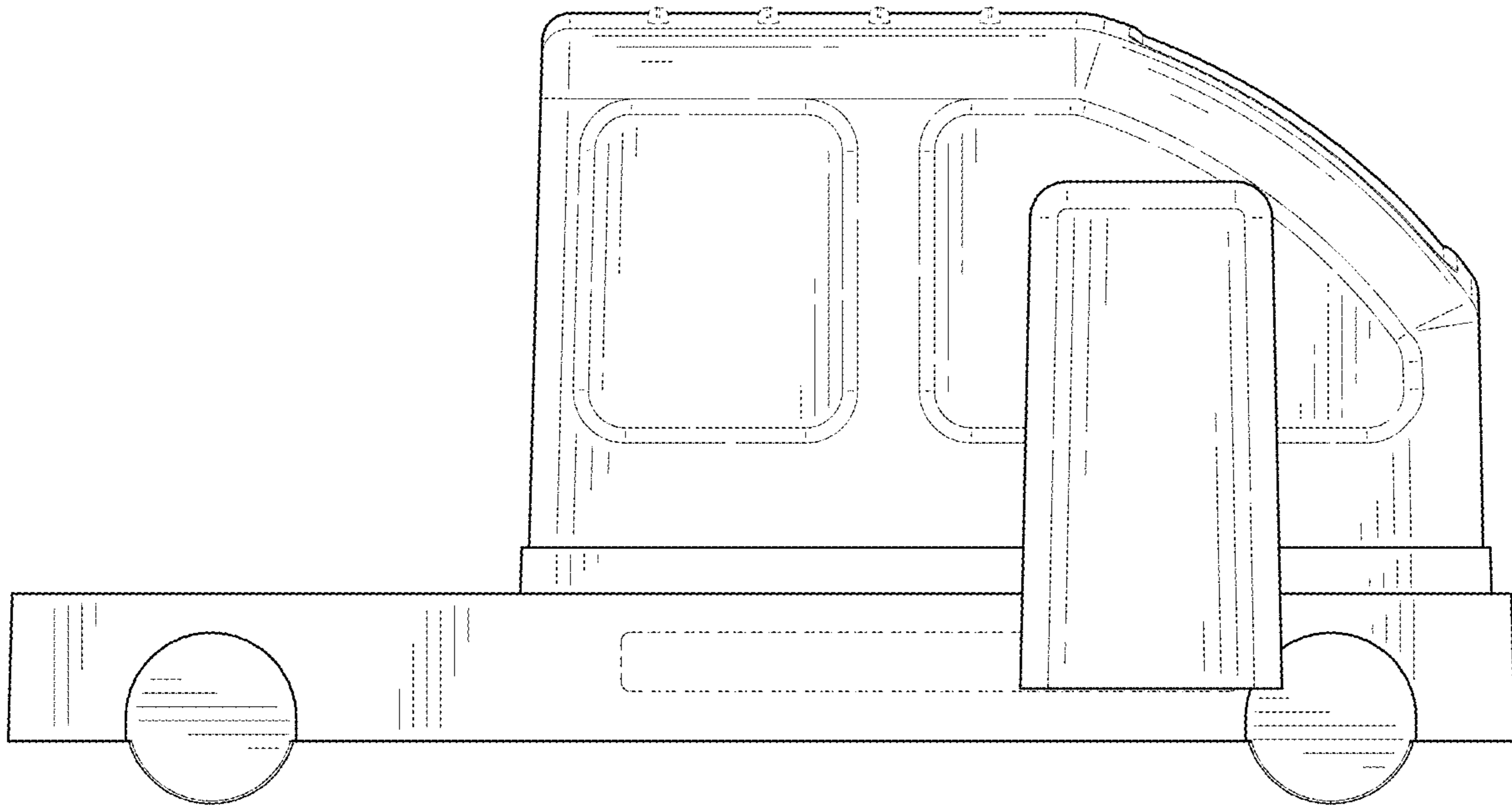


FIG. 5

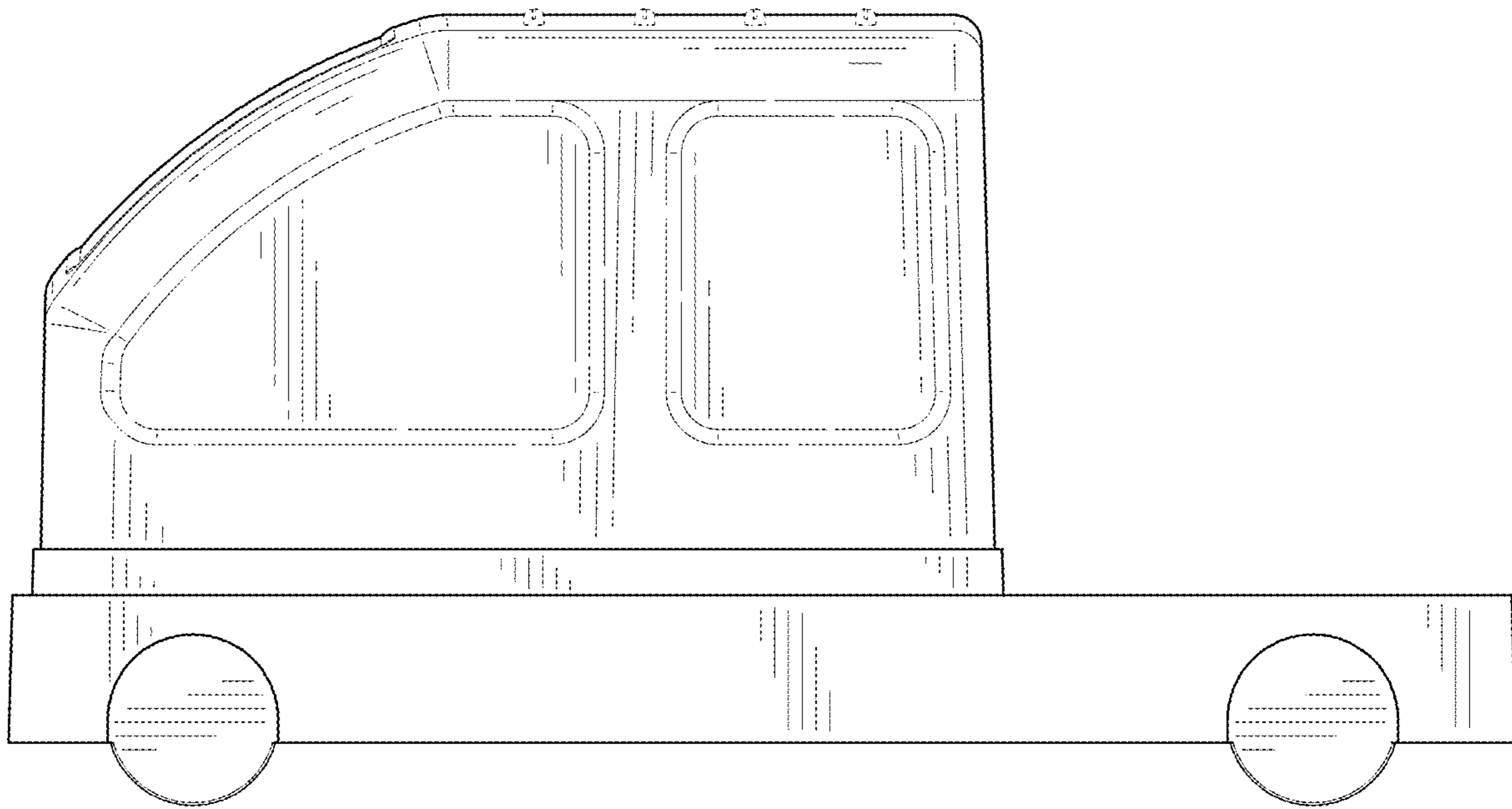


FIG. 6

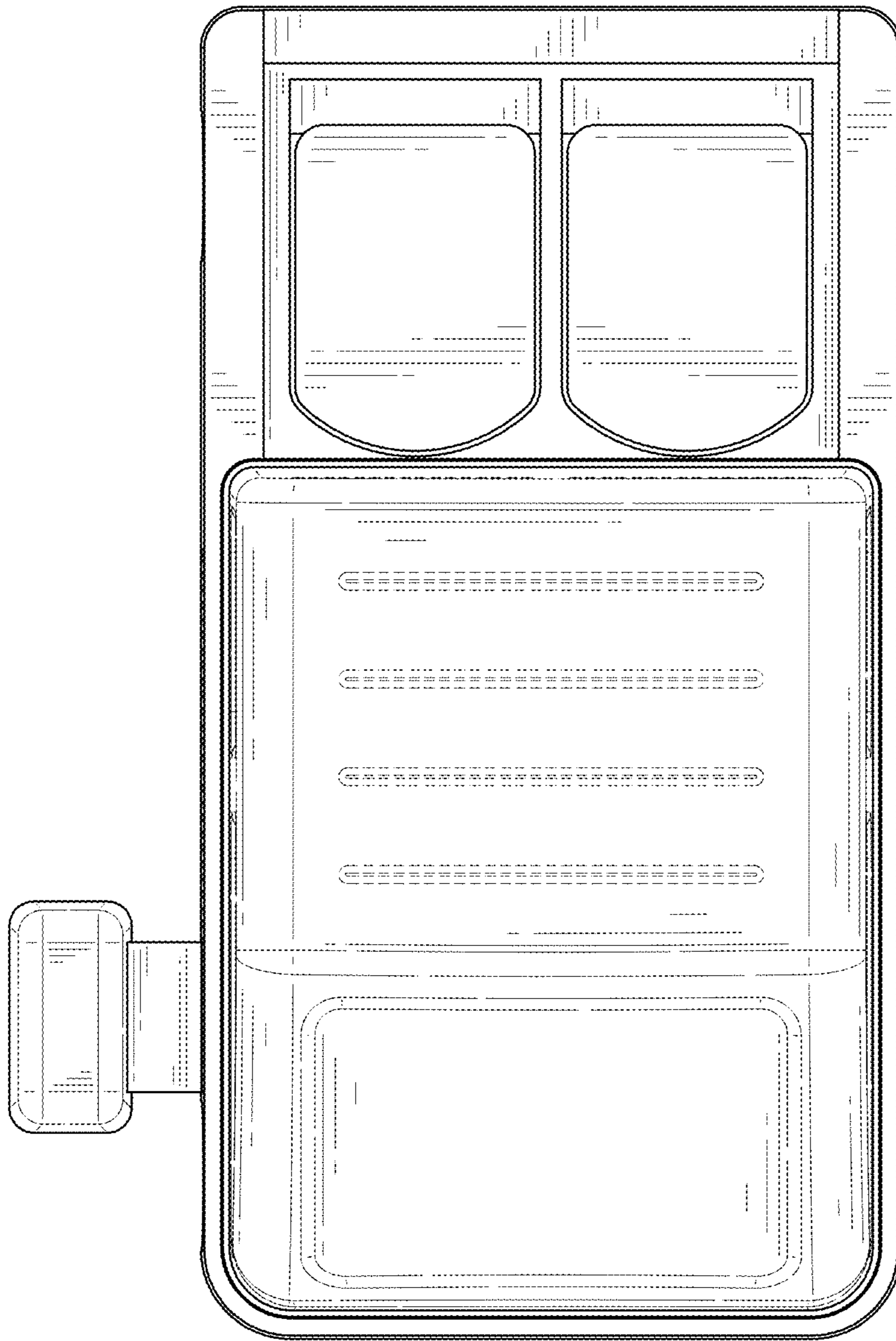


FIG. 7

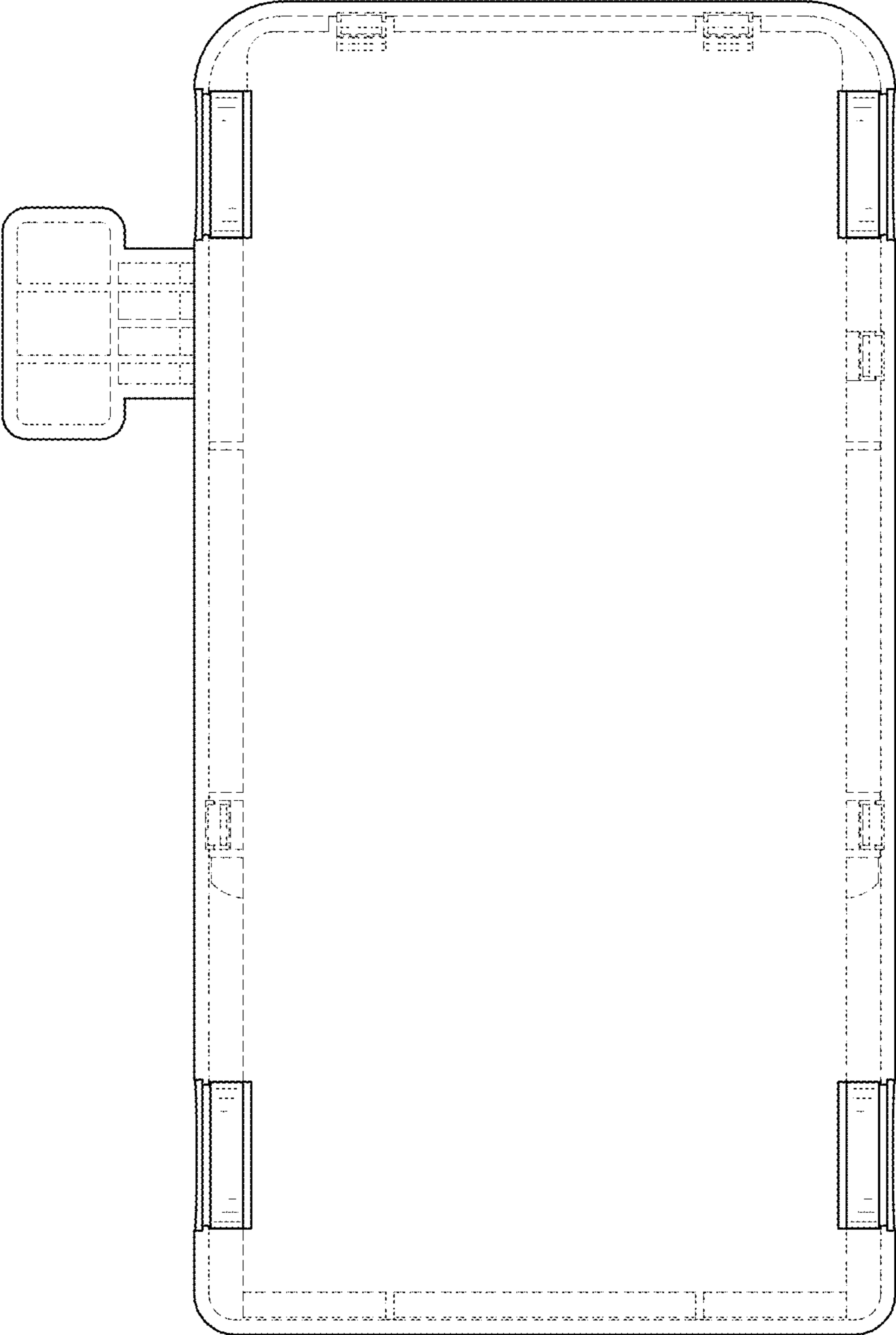


FIG. 8