



US00D875183S

(12) **United States Design Patent** (10) **Patent No.:** **US D875,183 S**
Alonso (45) **Date of Patent:** **** Feb. 11, 2020**

(54) **ZIG-ZAGGED SWEEP WING KITE**
(71) Applicant: **Francis A. Alonso**, Santa Monica, CA (US)
(72) Inventor: **Francis A. Alonso**, Santa Monica, CA (US)
(**) Term: **15 Years**

D149,848 S * 6/1948 Struck D21/447
D153,590 S 5/1949 Eichman
2,533,570 A 12/1950 Foy
D169,962 S 7/1953 Burnelli
D170,037 S 7/1953 Williams
D170,751 S 11/1953 Emery
D171,293 S 1/1954 Boyd
D172,465 S 6/1954 Del Mar
2,744,701 A 5/1956 Robey
(Continued)

(21) Appl. No.: **29/661,028**
(22) Filed: **Aug. 23, 2018**
(51) **LOC (12) Cl.** **21-01**
(52) **U.S. Cl.**
USPC **D21/445**
(58) **Field of Classification Search**
USPC D12/1-4, 16.1, 319-345; D21/436-454
CPC B64C 39/024; B64C 13/16; B64C 19/00;
B64C 2201/021; B64C 2201/141; B60H
1/3442
See application file for complete search history.

FOREIGN PATENT DOCUMENTS

JP H0531259 A 2/1993

OTHER PUBLICATIONS

Non-Final Office Action for U.S. Appl. No. 29/611,379, filed Jul. 20, 2017 on behalf of Francis A. Alonso, dated Jun. 19, 2018. 17 pgs.
(Continued)

Primary Examiner — Marissa J Cash
(74) *Attorney, Agent, or Firm* — Steinfl + Bruno LLP

(56) **References Cited**

U.S. PATENT DOCUMENTS

1,223,163 A 4/1917 Andrew
1,328,143 A 1/1920 Fergusson
D143,706 S * 2/1946 Bowers D12/333
D143,849 S * 2/1946 Northrop D12/333
D143,857 S * 2/1946 Northrop D12/333
D143,858 S * 2/1946 Northrop D12/333
D143,859 S * 2/1946 Northrop D12/333
D143,860 S * 2/1946 Northrop D12/333
D143,862 S * 2/1946 Northrop D12/333
D143,863 S * 2/1946 Northrop D12/333
D143,865 S * 2/1946 Northrop et al. D12/333
D143,868 S * 2/1946 Northrop D12/333
D143,869 S * 2/1946 Northrop D12/333
D143,870 S * 2/1946 Northrop D12/333
D143,871 S * 2/1946 Northrop D12/333
D143,873 S * 2/1946 Northrop D12/333
D149,666 S * 5/1948 Northrop et al. D12/333

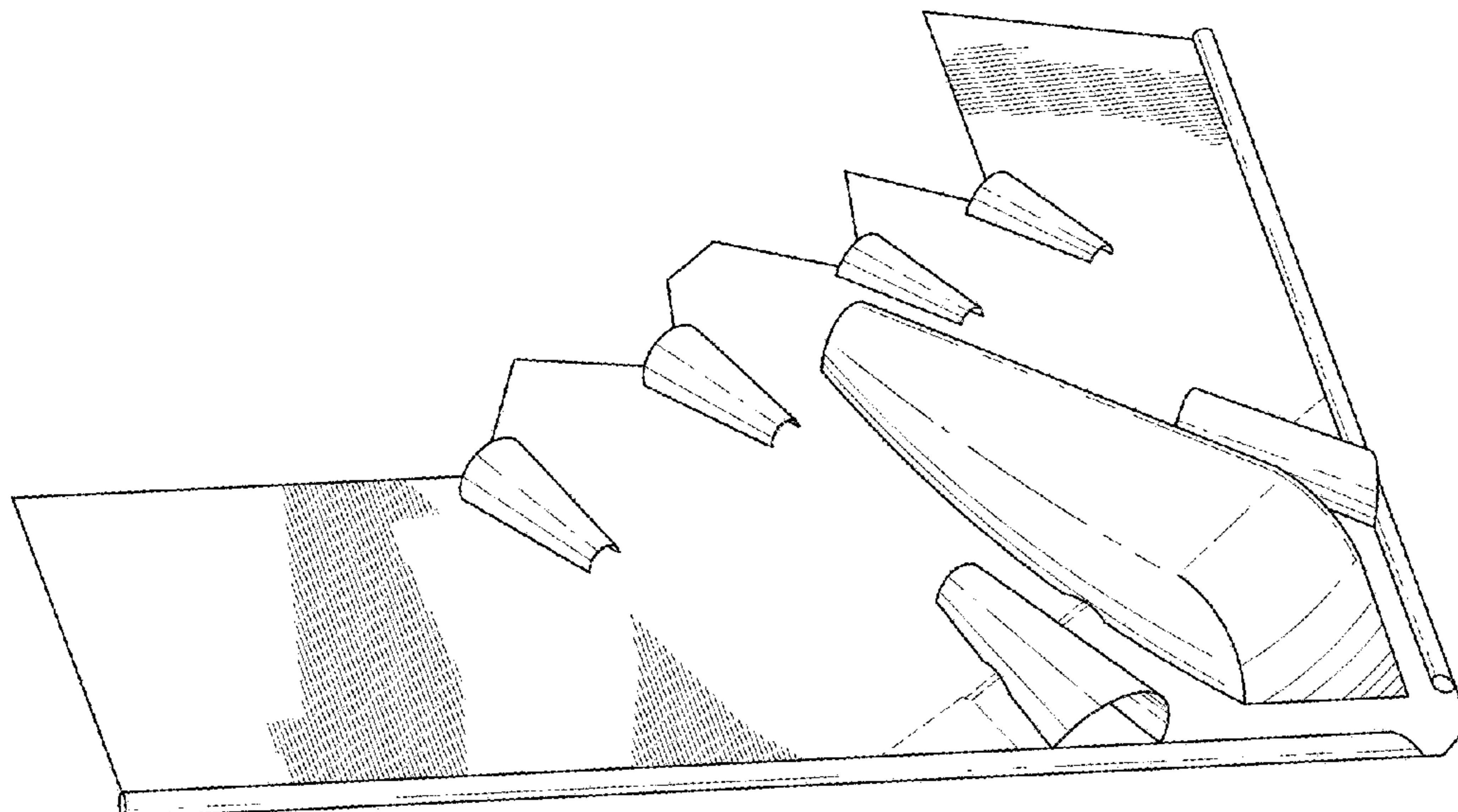
(57) **CLAIM**

The ornamental design for a zig-zagged swept wing kite, as shown and described.

DESCRIPTION

FIG. 1 is a top perspective view of a zig-zagged swept wing kite showing my new design;
FIG. 2 is a top view thereof;
FIG. 3 is a bottom view thereof;
FIG. 4 is a right side view thereof;
FIG. 5 is a left side view thereof;
FIG. 6 is a front view thereof; and,
FIG. 7 is a rear view thereof.
In the drawings, the broken lines depict portions of a zig-zagged swept wing kite that form no part of the claimed design.

1 Claim, 5 Drawing Sheets



(56)

References Cited

U.S. PATENT DOCUMENTS

D184,453 S 2/1959 Noble
 2,873,077 A 2/1959 Corbin
 D185,535 S 6/1959 Coleman
 D188,226 S * 6/1960 Jones D12/335
 2,988,309 A 6/1961 Pohl
 D194,445 S 1/1963 Walker
 D198,881 S 8/1964 King et al.
 D199,510 S * 11/1964 Burnelli D12/335
 D200,368 S 2/1965 Cohen et al.
 3,369,771 A * 2/1968 Walley B64D 5/00
 244/159.3
 D219,042 S 10/1970 King et al.
 D220,727 S * 5/1971 Sawyer D12/333
 D220,981 S * 6/1971 Webb D12/334
 D220,985 S * 6/1971 Webb D12/334
 3,740,008 A 6/1973 Grauel
 3,893,641 A 7/1975 Sutton
 D237,291 S 10/1975 Meffert
 3,951,363 A 4/1976 Grauel
 D240,437 S 7/1976 Rizzo
 D240,438 S 7/1976 Rizzo
 D240,439 S 7/1976 Rizzo
 D240,440 S * 7/1976 Rizzo D21/447
 D240,441 S 7/1976 Rizzo
 D244,265 S 5/1977 Opfer
 4,076,189 A 2/1978 Powell
 D248,745 S * 8/1978 Jager D12/333
 D257,269 S 10/1980 Miller et al.
 D263,487 S * 3/1982 LaCrone D21/451
 D270,259 S 8/1983 Hermann et al.
 D274,827 S * 7/1984 Belloff 244/153 R
 D278,226 S 4/1985 Henderson
 D278,700 S 5/1985 Powers et al.
 D279,492 S 7/1985 Eddins et al.
 D281,338 S 11/1985 Gorick et al.
 D281,680 S 12/1985 Henderson
 4,715,564 A 12/1987 Kinn et al.
 D294,154 S 2/1988 McDaniel
 4,807,832 A 2/1989 Tabor
 4,813,637 A 3/1989 Bondestam
 4,830,313 A 5/1989 Cheng
 4,848,704 A 7/1989 Sams
 D314,366 S 2/1991 Waaland et al.
 5,098,039 A 3/1992 Linden, Jr.
 5,152,481 A 10/1992 Cote et al.
 D342,717 S 12/1993 Mrdeza et al.
 D347,032 S 5/1994 Nieder
 5,312,069 A * 5/1994 Bollinger F02K 3/068
 244/12.3
 5,328,134 A 7/1994 Powers
 D362,234 S 9/1995 Urie, Jr.
 D372,218 S * 7/1996 Herzberg D12/319
 D382,851 S 8/1997 Knutson et al.
 D392,345 S 3/1998 Burghardt
 5,727,756 A 3/1998 Rowe
 D394,039 S 5/1998 Cummings
 D396,685 S 8/1998 Baumgartner et al.
 5,811,728 A 9/1998 Maeda
 5,893,535 A * 4/1999 Hawley B64C 3/00
 244/119
 D410,503 S 6/1999 Rosz
 D410,504 S 6/1999 Tsai
 5,909,858 A * 6/1999 Hawley B64C 3/00
 244/130
 D418,840 S * 1/2000 Cota D12/333
 D419,278 S 1/2000 Knutson et al.
 D428,381 S * 7/2000 Hartmann D12/332
 6,135,388 A 10/2000 Hostetter

6,138,957 A * 10/2000 Nastasi B64C 3/10
 244/219
 D444,512 S 7/2001 Miralles et al.
 D467,217 S 12/2002 Andreyko
 D468,255 S 1/2003 Gopaldaswami et al.
 6,527,224 B2 * 3/2003 Seidel B64D 33/02
 244/53 A
 D475,340 S 6/2003 Arata et al.
 D476,943 S 7/2003 Reinhard
 6,598,833 B2 7/2003 Tabor
 D482,079 S 11/2003 Solomon, Jr.
 D482,409 S 11/2003 Tabor
 6,663,050 B2 12/2003 Tabor
 D486,775 S 2/2004 Reinhard
 D488,426 S 4/2004 Hall
 6,837,463 B2 1/2005 Lynn
 6,854,690 B2 2/2005 Tabor
 D502,745 S 3/2005 Tabor et al.
 D503,141 S 3/2005 Schafroth
 6,908,360 B1 * 6/2005 Christensen A63B 65/08
 446/236
 D508,013 S 8/2005 Rihn et al.
 6,955,325 B1 10/2005 Tabor et al.
 D543,494 S 5/2007 Hall
 D583,295 S 12/2008 Au
 D588,519 S * 3/2009 Westra D12/319
 D588,976 S 3/2009 Westra et al.
 D597,148 S 7/2009 Lin
 D597,472 S 8/2009 Cazals
 7,621,484 B2 11/2009 Wingert
 D610,066 S 2/2010 Au
 D616,352 S 5/2010 Schafroth
 D616,804 S 6/2010 Manley et al.
 D616,805 S 6/2010 Zha
 D626,490 S 11/2010 Imel
 D635,083 S 3/2011 DeLaurier
 D677,613 S 3/2013 Luther
 D690,777 S 10/2013 Lukasik
 D691,215 S 10/2013 Madigan
 D734,402 S 7/2015 Reznik
 D738,438 S 9/2015 Cummings
 9,580,172 B2 * 2/2017 Hobart B60F 5/006
 D783,453 S 4/2017 Klick
 9,625,913 B2 * 4/2017 Golubev G05D 1/0825
 D787,983 S 5/2017 Fargeau et al.
 D803,949 S 11/2017 Ferrandino
 D806,803 S 1/2018 Gould et al.
 D807,809 S 1/2018 Suzuki
 D807,966 S 1/2018 Manzoni
 D810,621 S 2/2018 Sadek
 D813,956 S * 3/2018 McConville D21/447
 10,040,547 B1 * 8/2018 Pedigo B64C 39/024
 D843,486 S 3/2019 Alonso
 D844,067 S 3/2019 Alonso
 10,315,764 B2 * 6/2019 Shannon B64D 1/12
 2007/0120017 A1 5/2007 Webb et al.
 2007/0295864 A1 12/2007 Garvin
 2008/0035795 A1 2/2008 Hassett et al.
 2012/0018583 A1 1/2012 Prieto
 2018/0134357 A1 5/2018 Vestel et al.

OTHER PUBLICATIONS

Non-Final Office Action for U.S. Appl. No. 29/611,385, filed Jul. 20, 2017 on behalf of Francis A. Alonso, dated Jun. 19, 2018. 17 pgs.
 Notice of Allowance for U.S. Appl. No. 29/611,379, filed Jul. 20, 2017, on behalf of Francis A. Alonso, dated Sep. 10, 2018. 7 pgs.
 Notice of Allowance for U.S. Appl. No. 29/611,385, filed Jul. 20, 2017, on behalf of Francis A. Alonso, dated Sep. 10, 2018. 7 pgs.

* cited by examiner

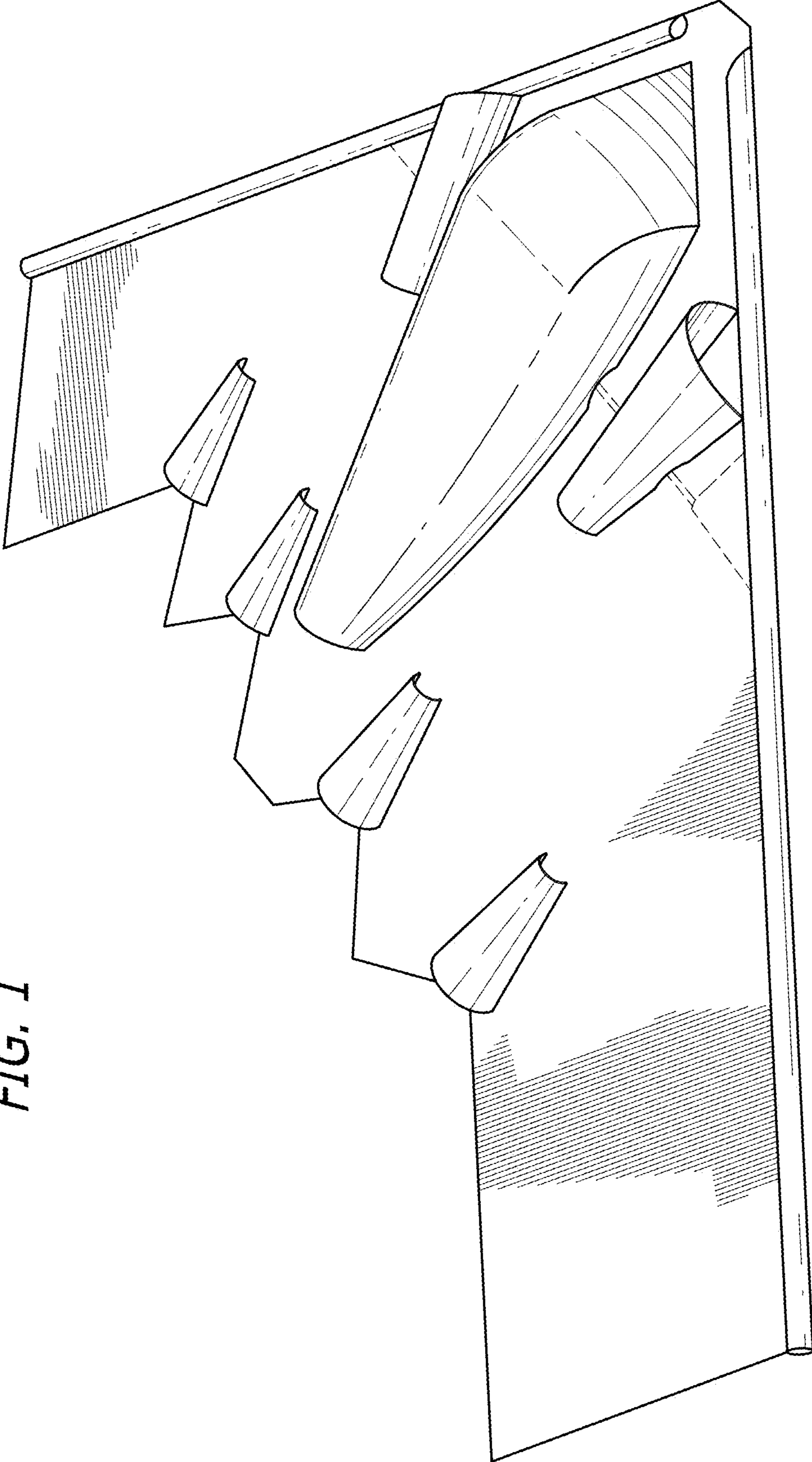


FIG. 1

FIG. 2

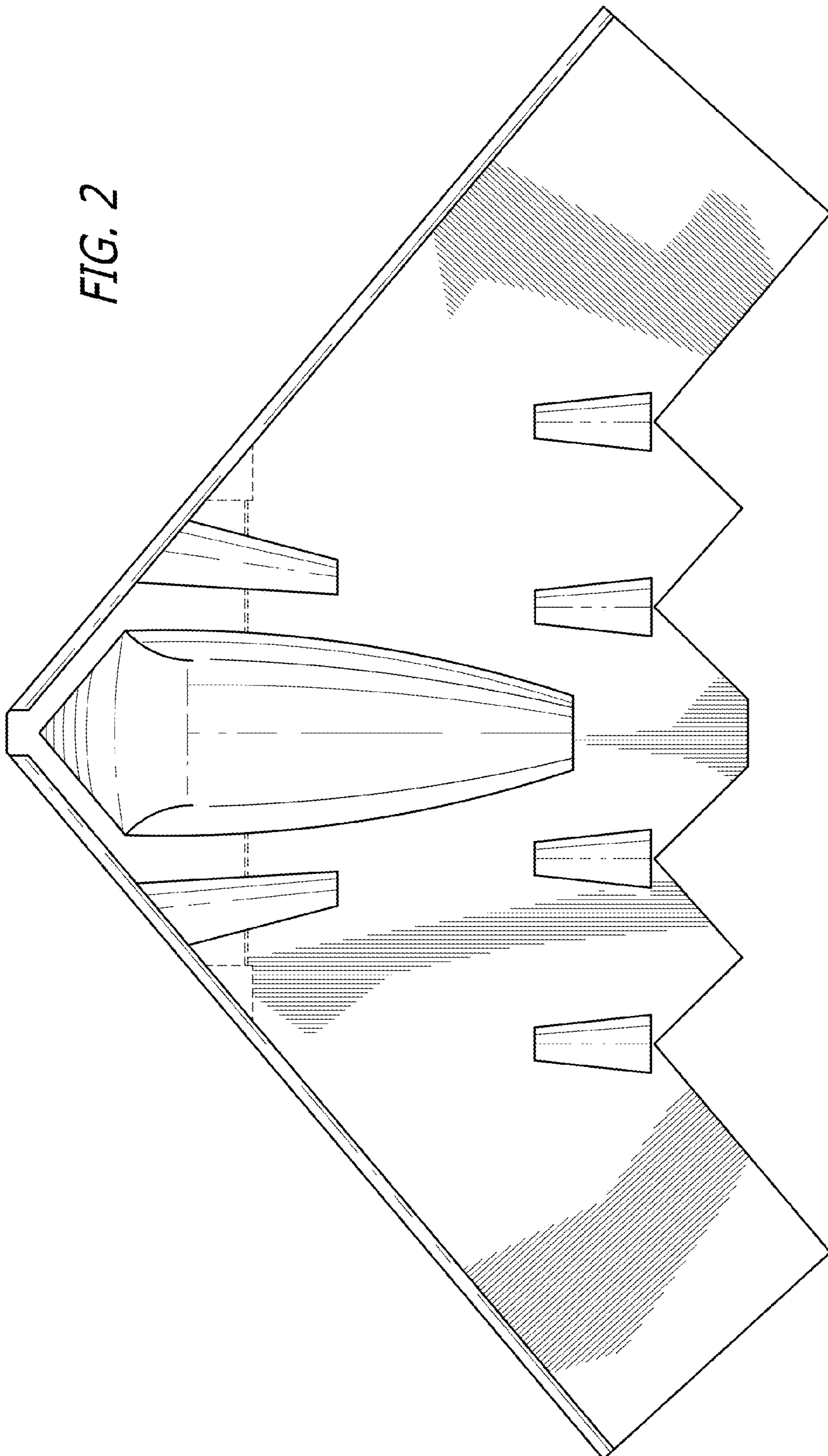


FIG. 3

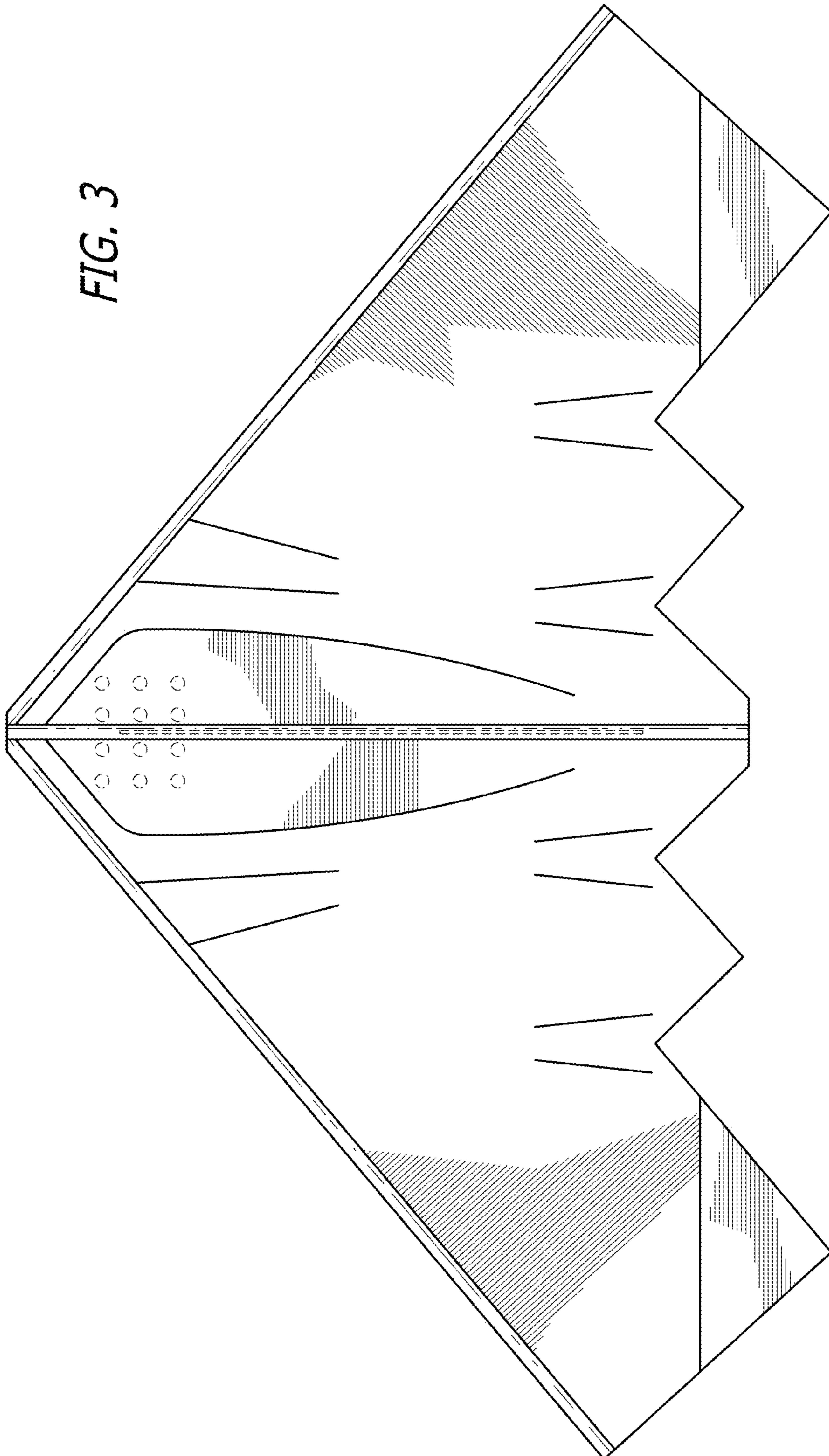


FIG. 4

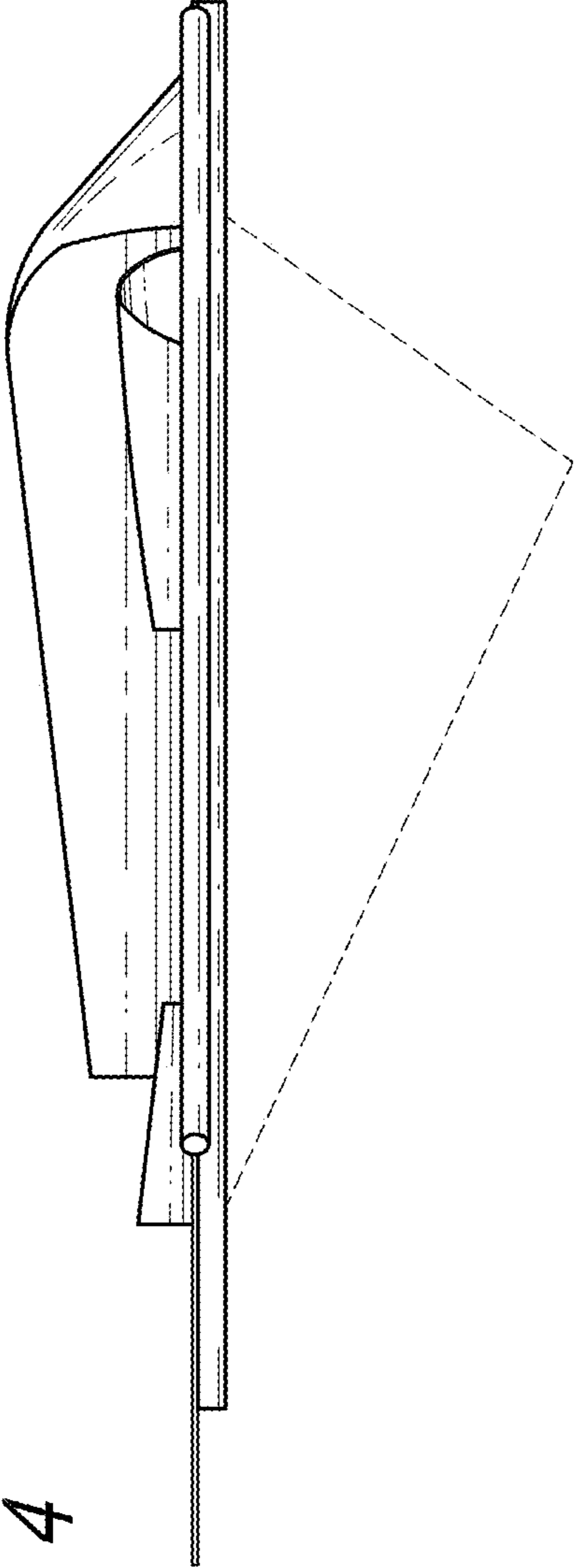


FIG. 5

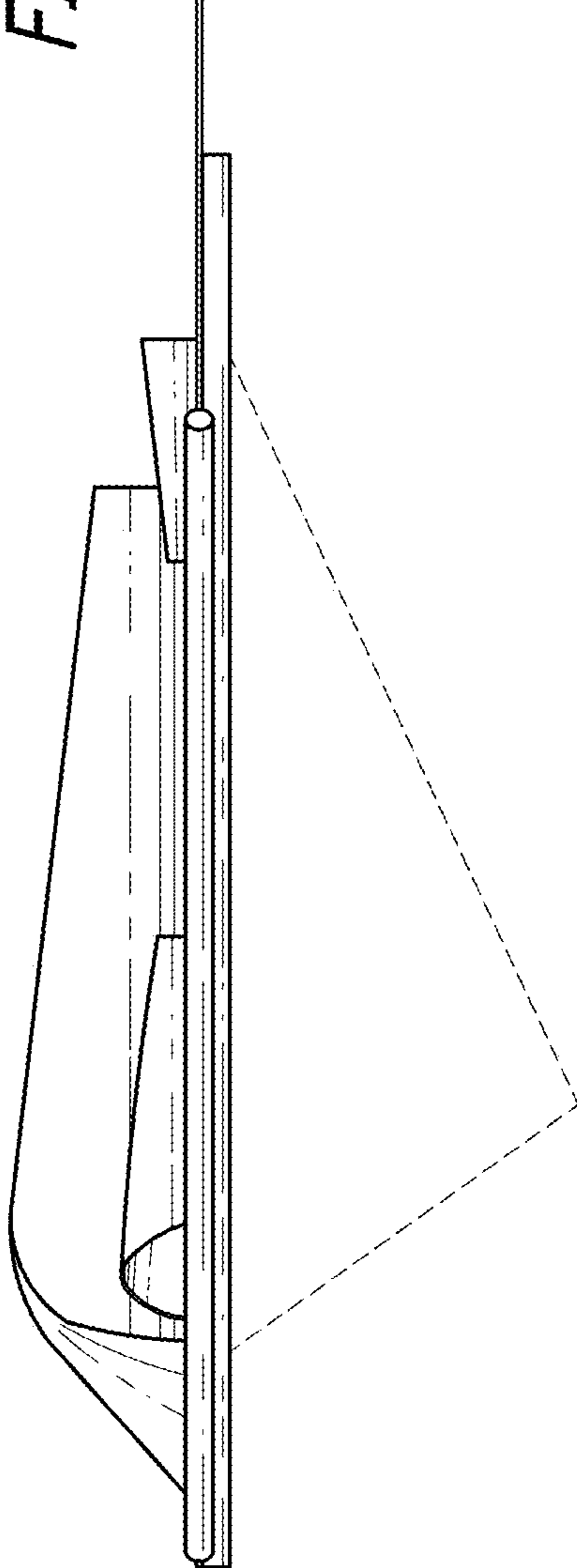


FIG. 6

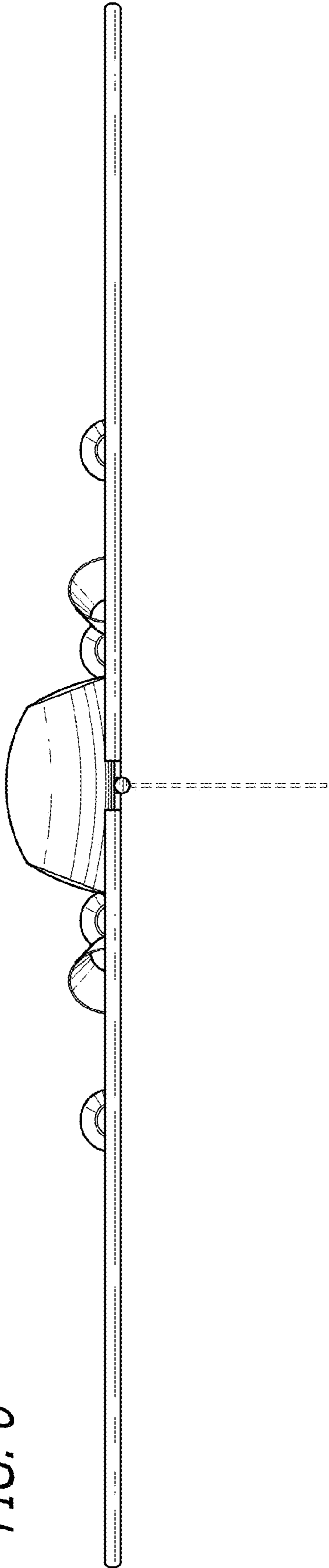


FIG. 7

