



US00D875182S

(12) **United States Design Patent** (10) **Patent No.:** **US D875,182 S**  
**Brown** (45) **Date of Patent:** **\*\* Feb. 11, 2020**

(54) **EXCLAMATION-SHAPED CHEERING DEVICE**

(71) Applicant: **Derrick S. Brown**, Suwanee, GA (US)

(72) Inventor: **Derrick S. Brown**, Suwanee, GA (US)

(\*\*) Term: **15 Years**

(21) Appl. No.: **29/633,555**

(22) Filed: **Jan. 15, 2018**

(51) **LOC (12) Cl.** ..... **21-01**

(52) **U.S. Cl.**

USPC ..... **D21/400**; D21/405; D21/440

(58) **Field of Classification Search**

USPC ..... D21/398, 400, 405-408, 411, 439, 440, D21/492, 567, 568, 725; D20/10, 12, 19, D20/29-38, 99; D17/10, 11, 13, 22, 24, D17/99; D10/114.9, 116.1, 118; D9/695-697; D19/123, 136; 446/176, 446/180, 184, 185, 202, 220-226, 397, 446/415-422, 486-489  
CPC . A63H 5/00; A63H 5/04; A63H 27/10; A63H 2027/1008; A63H 2027/1016; A63H 2027/1025; A63H 2027/1033; A63H 2027/1041; A63H 2027/1058; A63H 2027/1075; A63H 2027/1083; A63H 2027/1091; A63H 37/00; A63H 33/00; A63H 33/009; A63H 3/06; G10D 13/06; G10K 3/00; G10K 1/06; G10K 1/068; G10K 1/07; G10K 1/071; G10K 1/08; G10K 1/10; G10K 1/26; G10K 9/00; G10K 9/10; G10K 9/18; G10K 9/20; G10K 9/22; G10K 13/00

See application file for complete search history.

(56) **References Cited**

**U.S. PATENT DOCUMENTS**

695,930 A \* 3/1902 Hennessy ..... A63H 5/00  
446/216  
2,189,853 A \* 2/1940 Zadek ..... A63H 5/00  
446/177

2,215,661 A \* 9/1940 Cohn ..... A63H 5/00  
446/81  
D210,247 S \* 2/1968 Olson et al. .... D17/13  
(Continued)

**FOREIGN PATENT DOCUMENTS**

DE 458404 C \* 4/1928 ..... A63H 5/00  
GB 236778 A \* 7/1925 ..... A63H 5/00  
(Continued)

**OTHER PUBLICATIONS**

What Is Hypefan? Images and description on webpage: <https://web.archive.org/web/20160116144710/http://www.hypefan.com/> (3 pages)  
Web Archive Capture Date: Jan. 16, 2016 [Accessed on Mar. 1, 2018] (Year: 2016).\*

Product image copied from webpage: <https://www.facebook.com/Hypefanatic> dated Feb. 9, 2016 [Accessed on Mar. 1, 2018] (Year: 2016).\*

*Primary Examiner* — Catherine A Tuttle

(74) *Attorney, Agent, or Firm* — Laurence P. Colton; Carlo Julio Salas Martinez; Smith Tempel Blaha LLC

(57) **CLAIM**

The ornamental design for an exclamation-shaped cheering device, as shown and described.

**DESCRIPTION**

FIG. 1 is a perspective view of an exclamation-shaped cheering device showing the new design.

FIG. 2 is a front view thereof, the back view being the same as the front view.

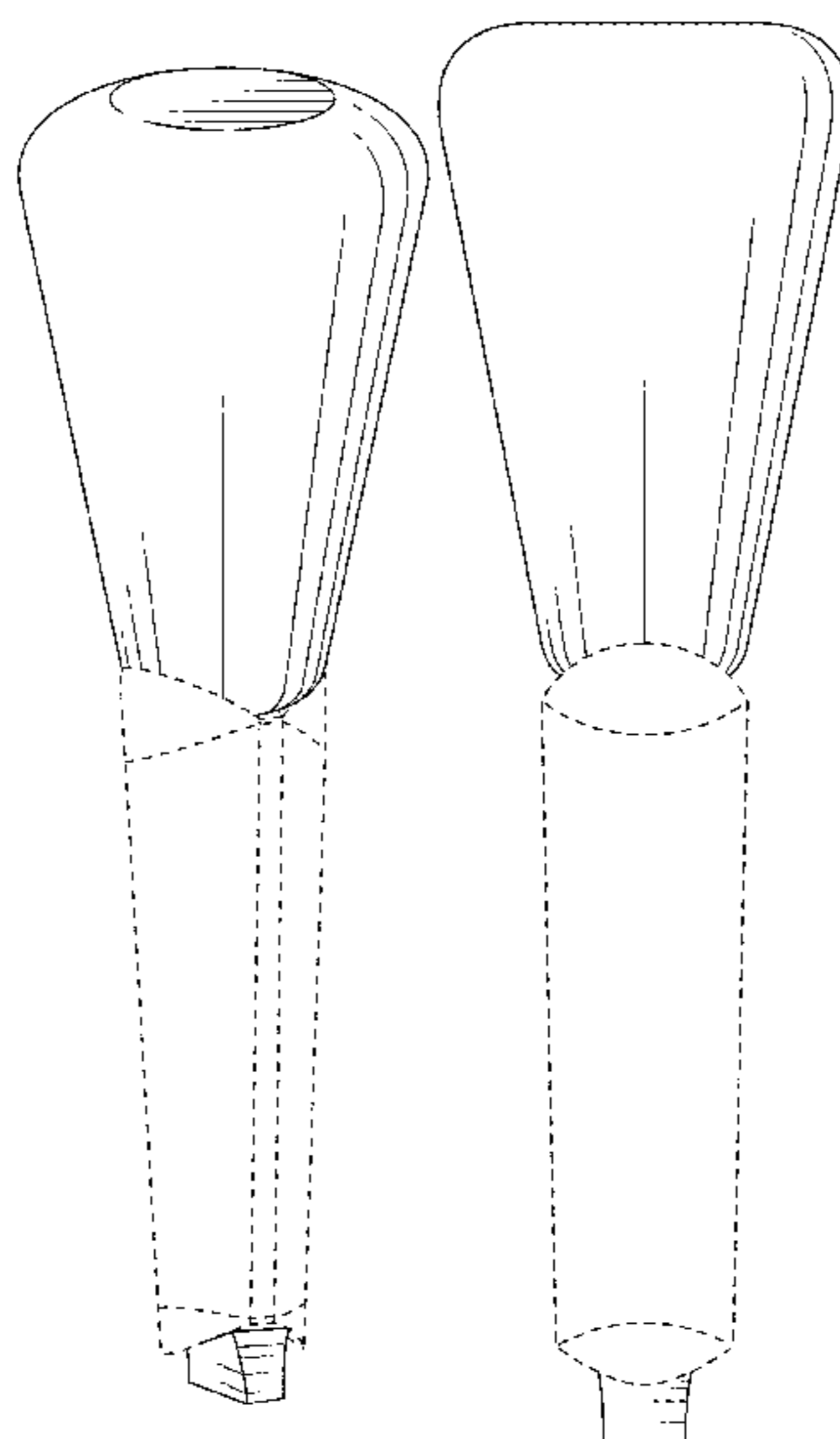
FIG. 3 is a left side view thereof, the right side view being the same as the left side view.

FIG. 4 is a top view thereof; and,

FIG. 5 is a bottom view thereof.

The broken lines represent portions of the star-shaped cheering device that form no part of the claimed design.

**1 Claim, 3 Drawing Sheets**



(56)

References Cited

U.S. PATENT DOCUMENTS

D290,729 S \* 7/1987 Einhorn ..... D21/725  
 D364,653 S \* 11/1995 Boden ..... D10/116.1  
 D376,625 S \* 12/1996 Washburn ..... D10/116.1  
 D386,224 S \* 11/1997 Seagren ..... D21/400  
 5,738,560 A \* 4/1998 Bears ..... A63H 5/00  
 446/220  
 6,146,236 A \* 11/2000 Kay ..... A63H 5/00  
 446/397  
 6,302,813 B1 \* 10/2001 Sturgeon ..... G10K 3/00  
 473/564  
 D455,795 S \* 4/2002 Krosser ..... D21/406  
 6,892,674 B1 \* 5/2005 Dubinins ..... A01K 15/026  
 119/702  
 D607,514 S \* 1/2010 Cardea ..... D20/29  
 7,727,046 B2 \* 6/2010 Kobayashi ..... A63H 5/00  
 446/418  
 D638,502 S \* 5/2011 Paul ..... D21/568  
 D689,119 S \* 9/2013 Lochen ..... D17/10  
 9,940,917 B1 \* 4/2018 Kawase ..... G10K 3/00

D838,782 S \* 1/2019 Brown ..... D21/400  
 2004/0157525 A1 \* 8/2004 Epstein ..... A63H 5/00  
 446/220  
 2005/0211059 A1 \* 9/2005 Rom ..... G10K 1/072  
 84/406  
 2007/0049158 A1 \* 3/2007 Chou ..... A63H 27/10  
 446/220  
 2008/0051003 A1 \* 2/2008 Hom ..... A63H 33/009  
 446/473  
 2009/0053973 A1 \* 2/2009 Rydbom ..... A01M 31/004  
 446/421  
 2009/0275260 A1 \* 11/2009 Lockett ..... A63H 27/10  
 446/222  
 2016/0023122 A1 \* 1/2016 Brown ..... A63H 5/00  
 446/220

FOREIGN PATENT DOCUMENTS

WO WO-03076035 A1 \* 9/2003 ..... A63H 27/10  
 WO WO-2007098168 A2 \* 8/2007 ..... A63H 5/00  
 WO WO-2017043519 A1 \* 3/2017 ..... A63H 27/10

\* cited by examiner

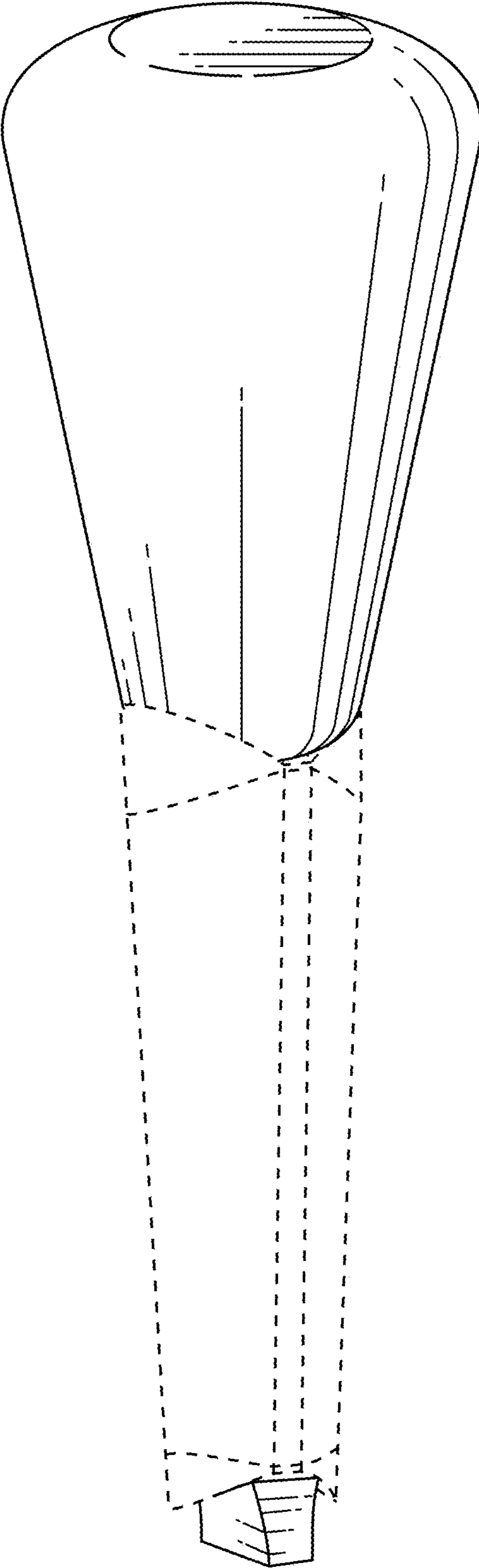


FIG. 1

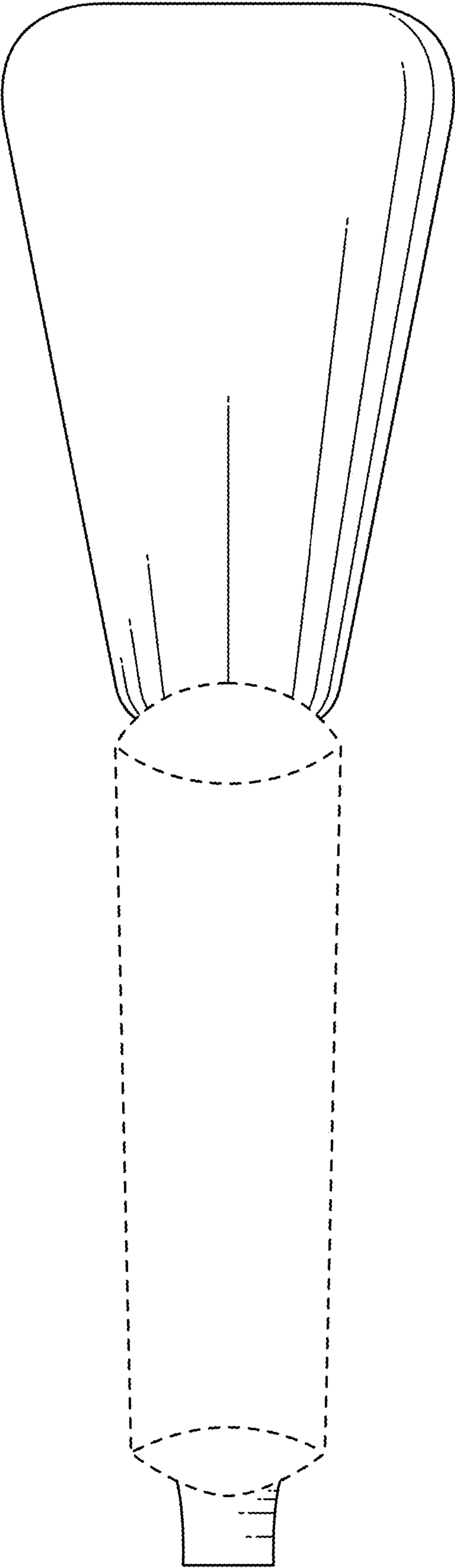


FIG. 2

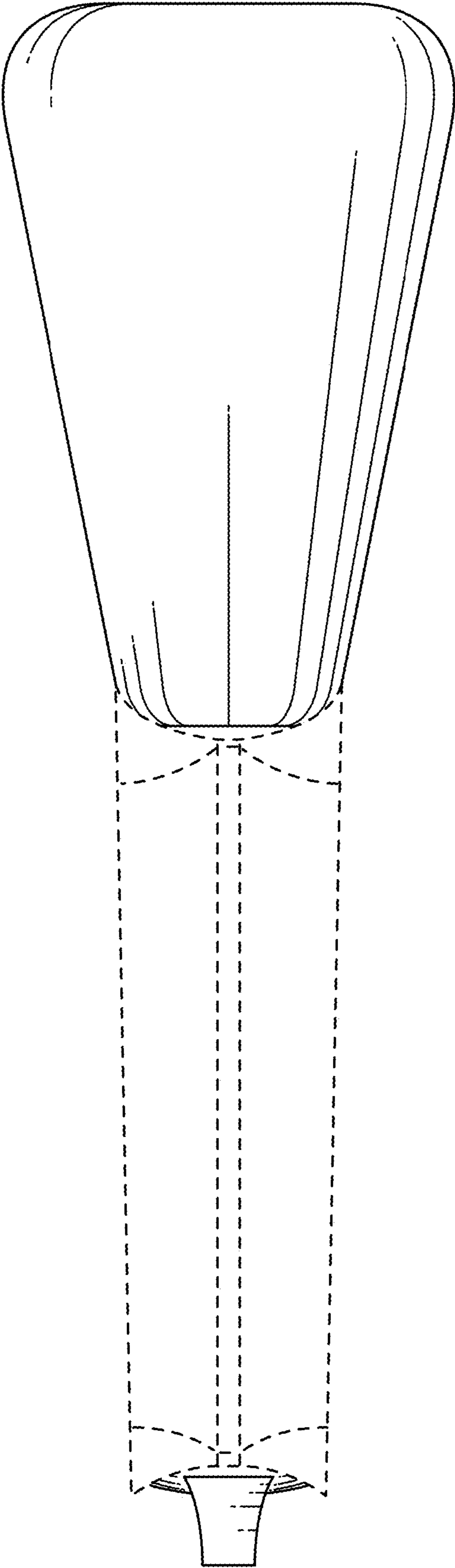


FIG. 3

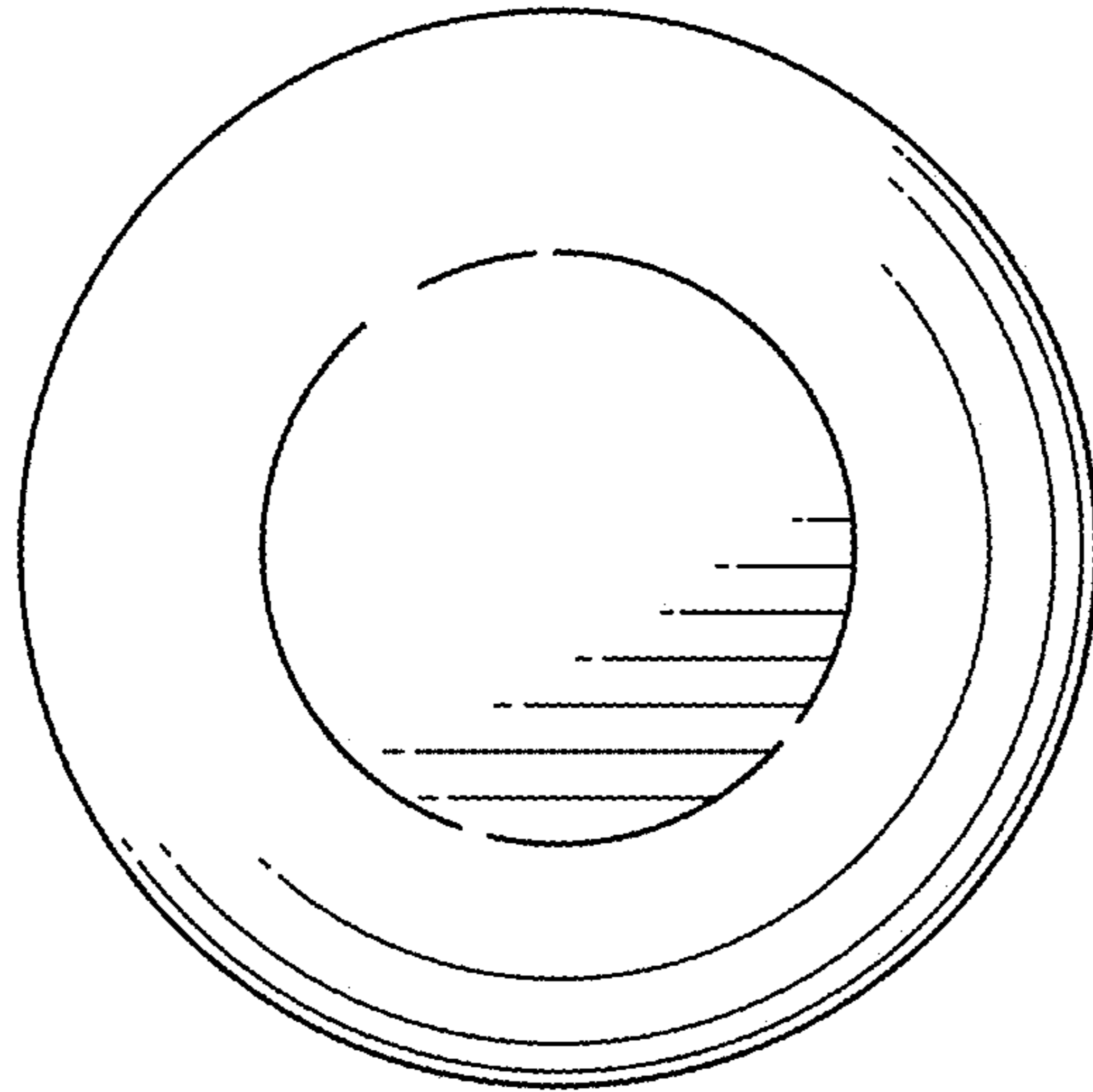


FIG. 4

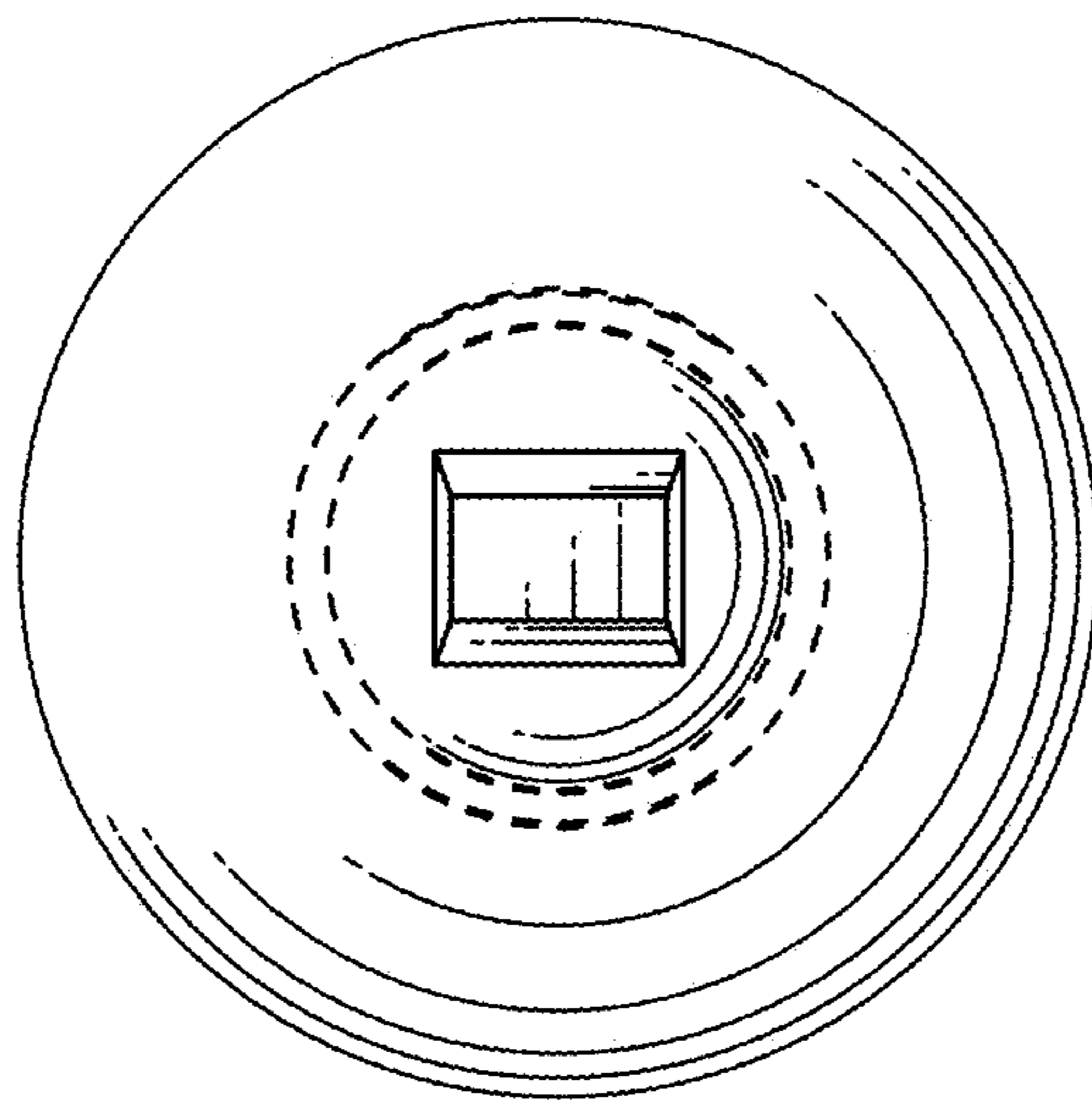


FIG. 5