



US00D875181S

(12) **United States Design Patent** (10) **Patent No.:** **US D875,181 S**
Tsuda et al. (45) **Date of Patent:** **** Feb. 11, 2020**

(54) **ELECTRONIC GAME STATION** D685,435 S * 7/2013 Hohman D21/370
 D763,361 S * 8/2016 Rosander D21/370
 (71) Applicant: **SEGA SAMMY CREATION INC.,** D803,324 S * 11/2017 Bussey D21/370
 Tokyo (JP) D810,833 S * 2/2018 Rosander G07F 17/3216
 D21/370
 (72) Inventors: **Kimio Tsuda, Tokyo (JP); Hiroki** 2017/0061730 A1* 3/2017 Ho G07F 17/3216
Nunokawa, Tokyo (JP) 2018/0082523 A1* 3/2018 Palermo G07F 17/3216

(**) Term: **15 Years**

(21) Appl. No.: **35/504,583**

(22) Filed: **Sep. 12, 2017**

(80) **Hague Agreement Data**

Int. Filing Date: **Sep. 12, 2017**
 Int. Reg. No.: **DM/097929**
 Int. Reg. Date: **Sep. 12, 2017**
 Int. Reg. Pub. Date: **Mar. 16, 2018**

(51) **LOC (12) Cl.** **21-01**

(52) **U.S. Cl.**
 USPC **D21/370**

(58) **Field of Classification Search**
 USPC D21/324, 325, 326, 329, 333, 370
 CPC G07F 17/3216; G07F 17/3218; G07F
 17/3223

See application file for complete search history.

(56) **References Cited**

U.S. PATENT DOCUMENTS

D280,748 S * 9/1985 Jansons D21/325
 D380,014 S * 6/1997 Yang D21/370
 D380,687 S * 7/1997 Hsu D10/6
 D586,866 S * 2/2009 Hsu D21/370
 D615,598 S * 5/2010 McComb D21/370

* cited by examiner

Primary Examiner — George D. Kirschbaum
Assistant Examiner — Joseph Kukella

(57) **CLAIM**

The ornamental design for an electronic game station, as shown and described.

DESCRIPTION

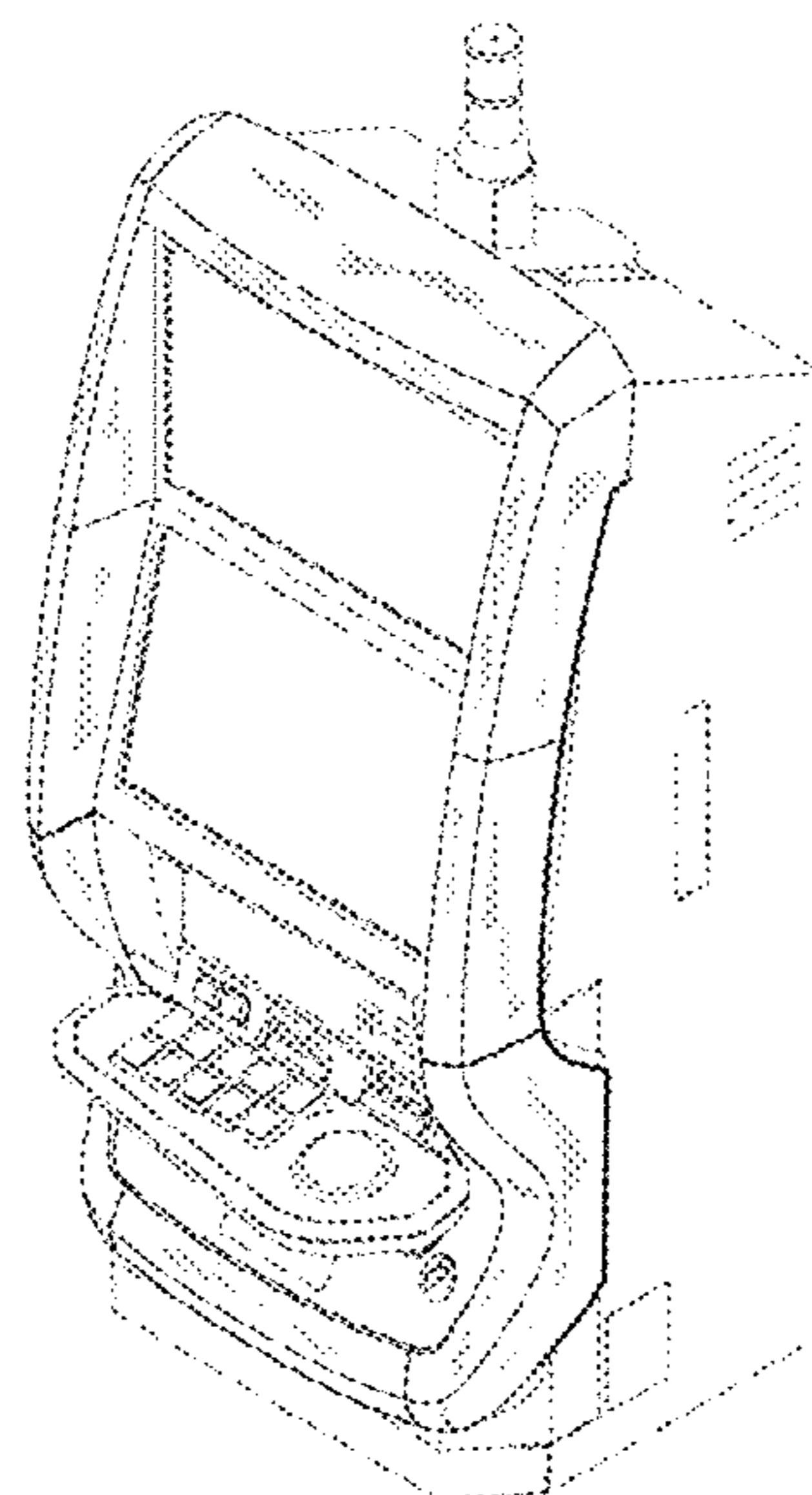
The patent or application file contains at least one drawing executed in color. Copies of this patent or patent application publication with color drawing(s) will be provided by the Office upon request and payment of the necessary fee.

1. Electronic game station

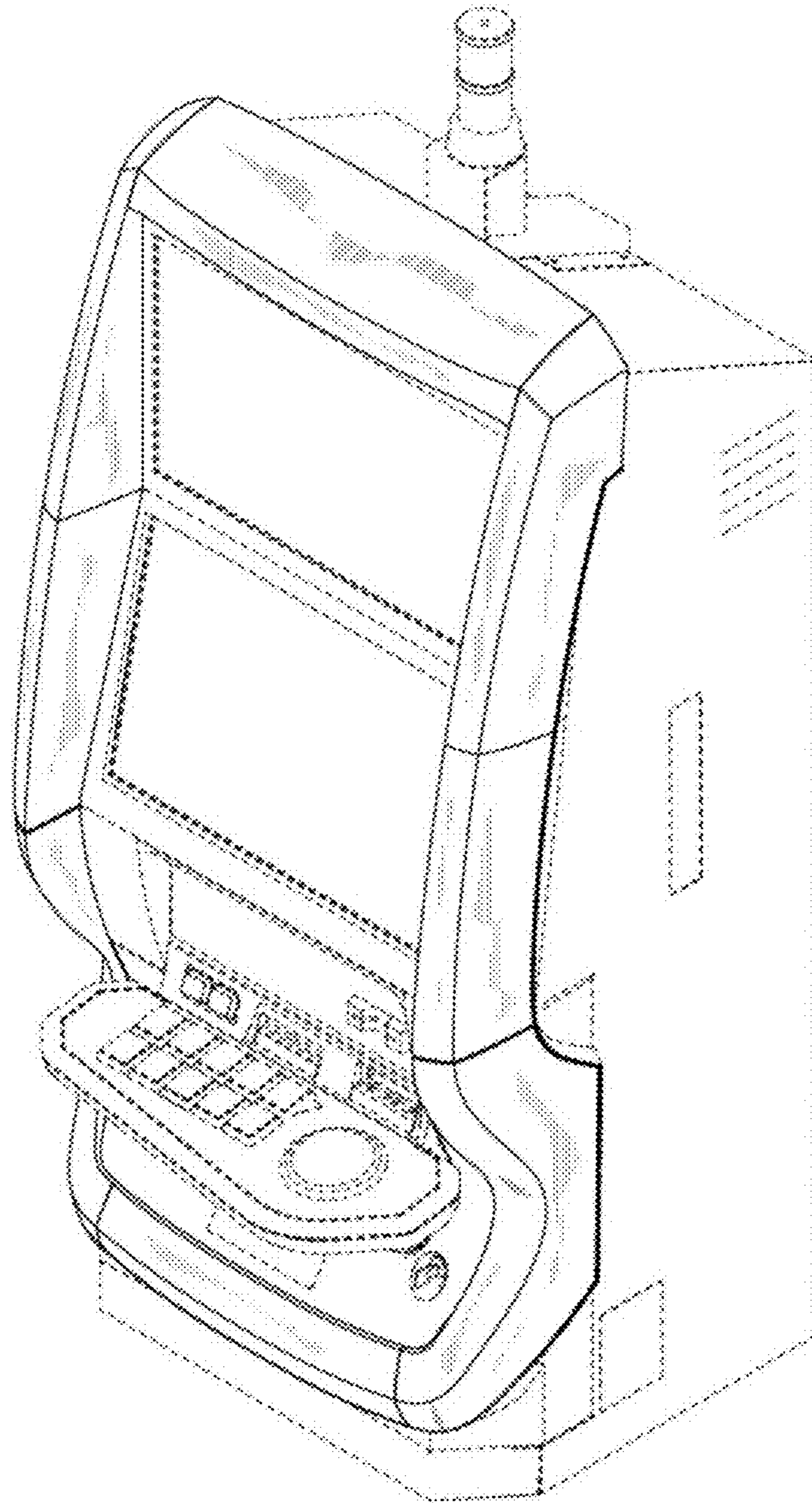
- 1.1 : Perspective
- 1.2 : Front
- 1.3 : Back
- 1.4 : Top
- 1.5 : Bottom
- 1.6 : Right
- 1.7 : Left
- 1.8 : Reference

The broken lines depict portions of the electronic game station that form no part of the claimed design.

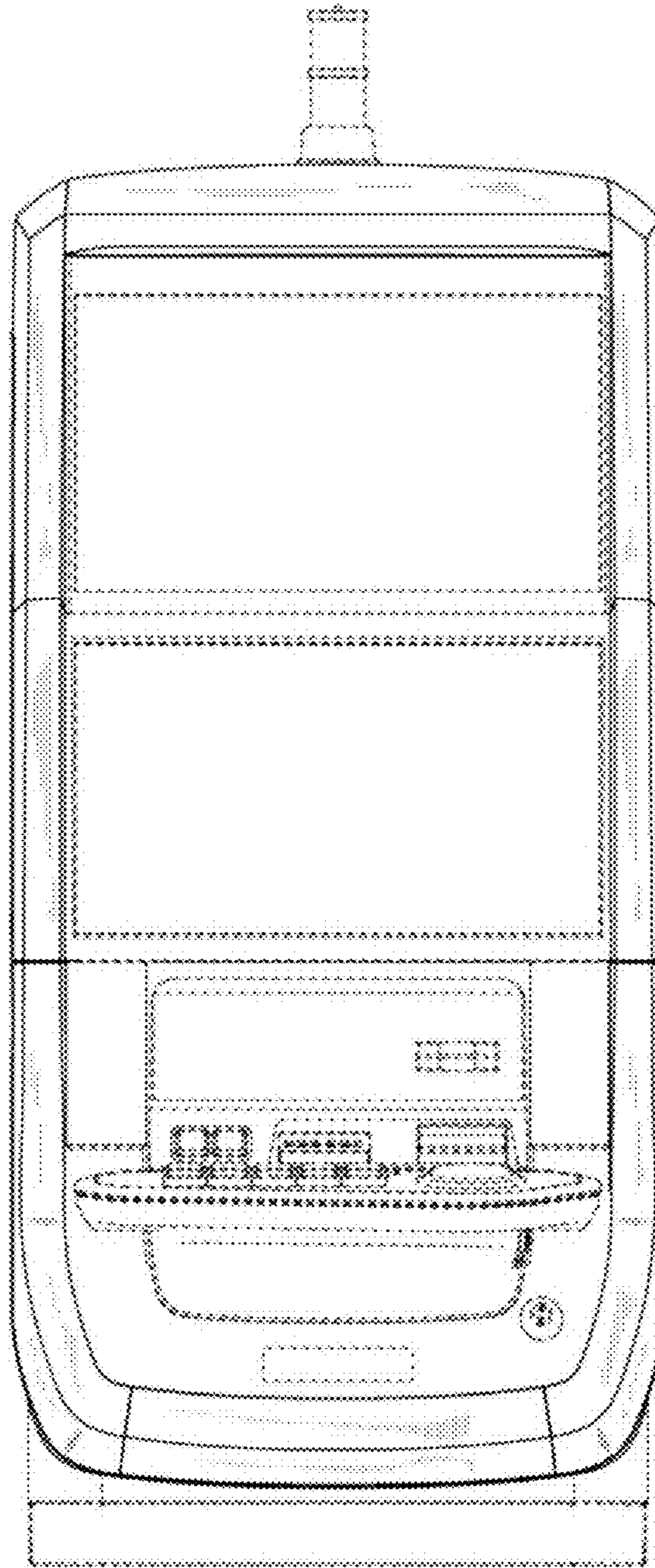
1 Claim, 8 Drawing Sheets
(1 of 8 Drawing Sheet(s) Filed in Color)



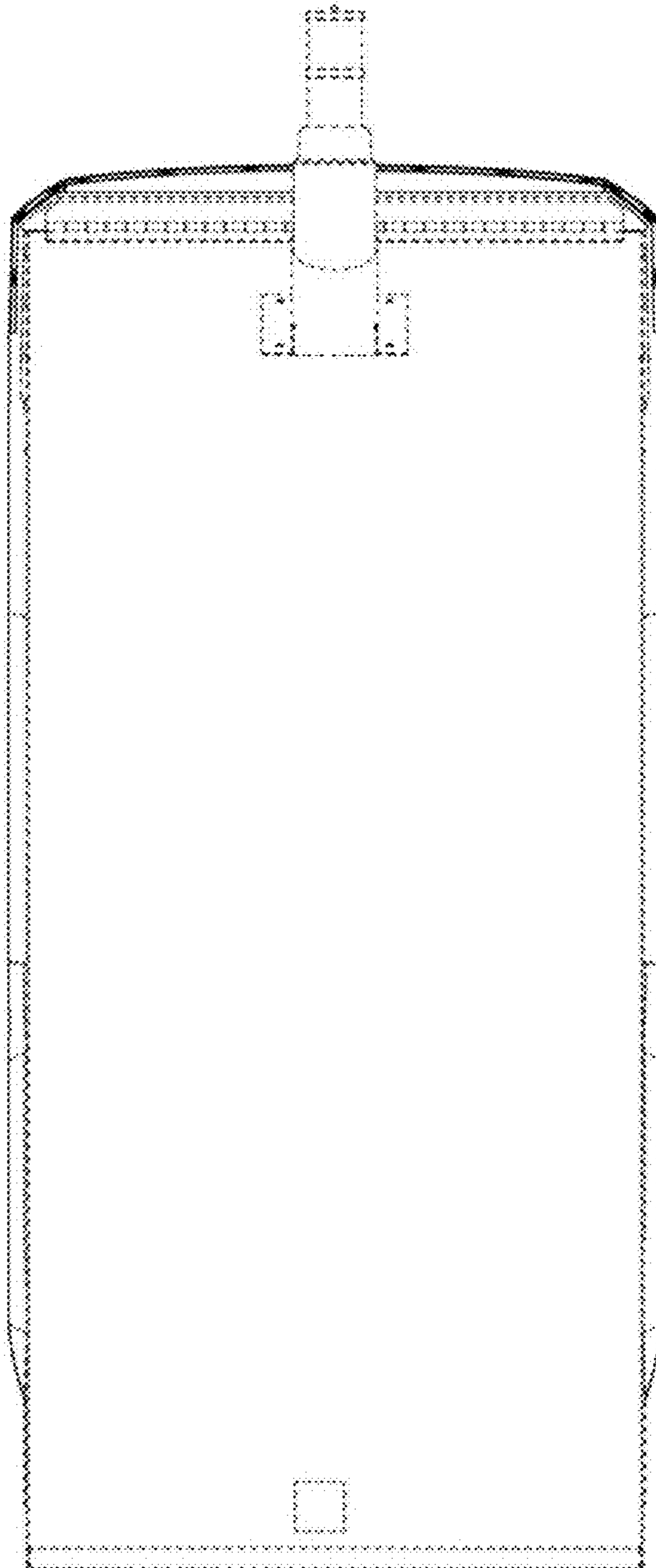
1.1



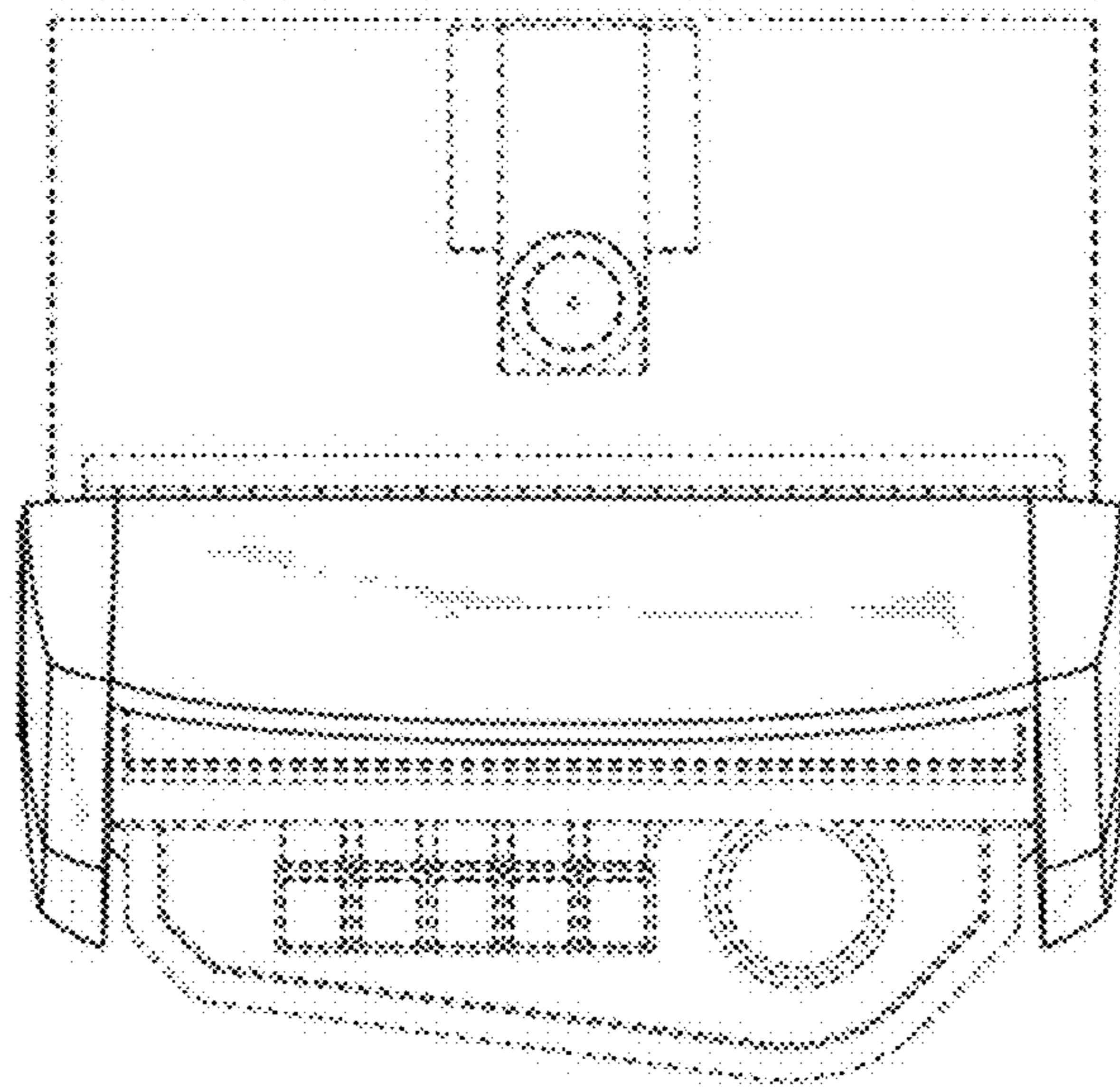
1.2



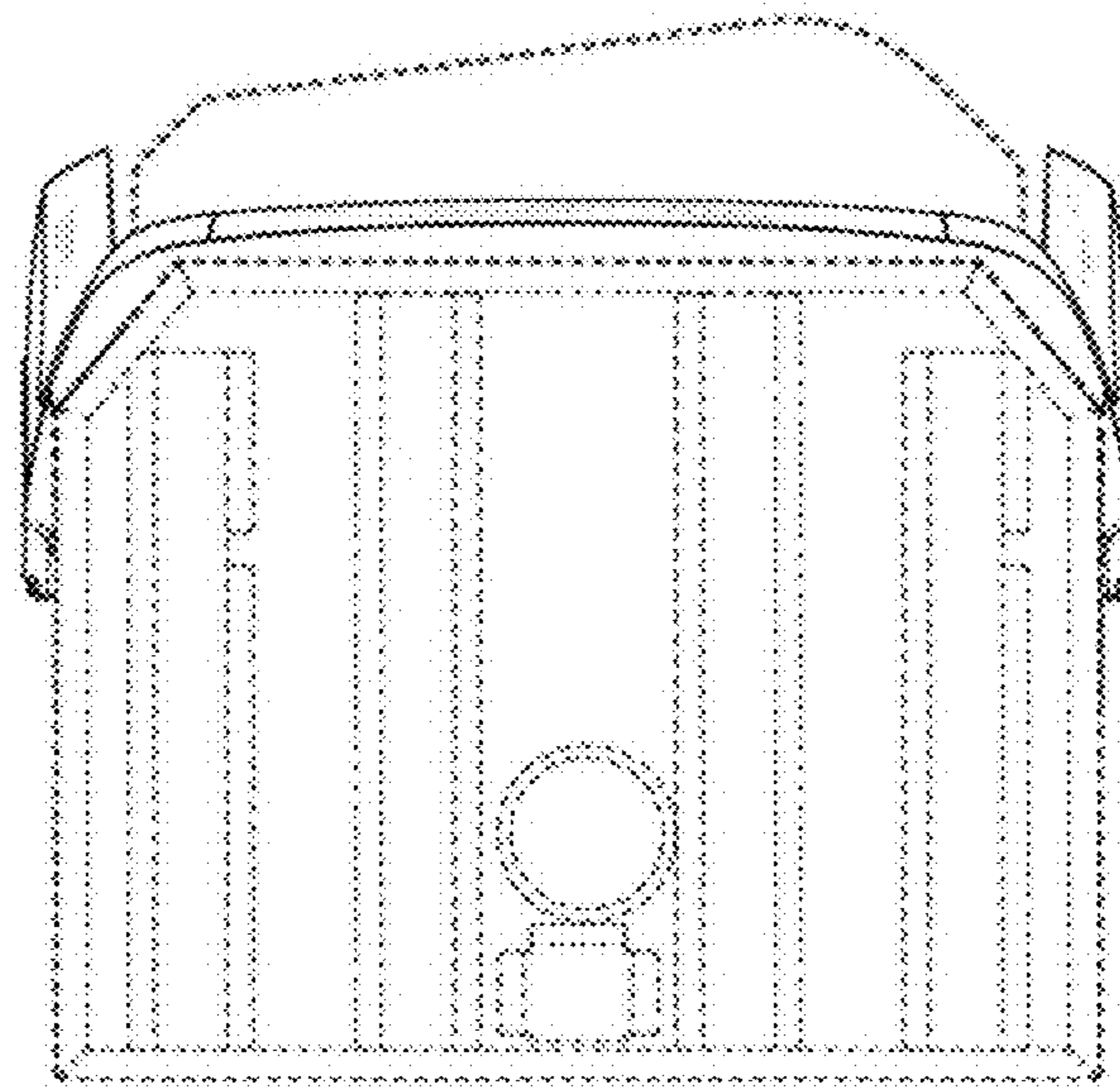
1.3



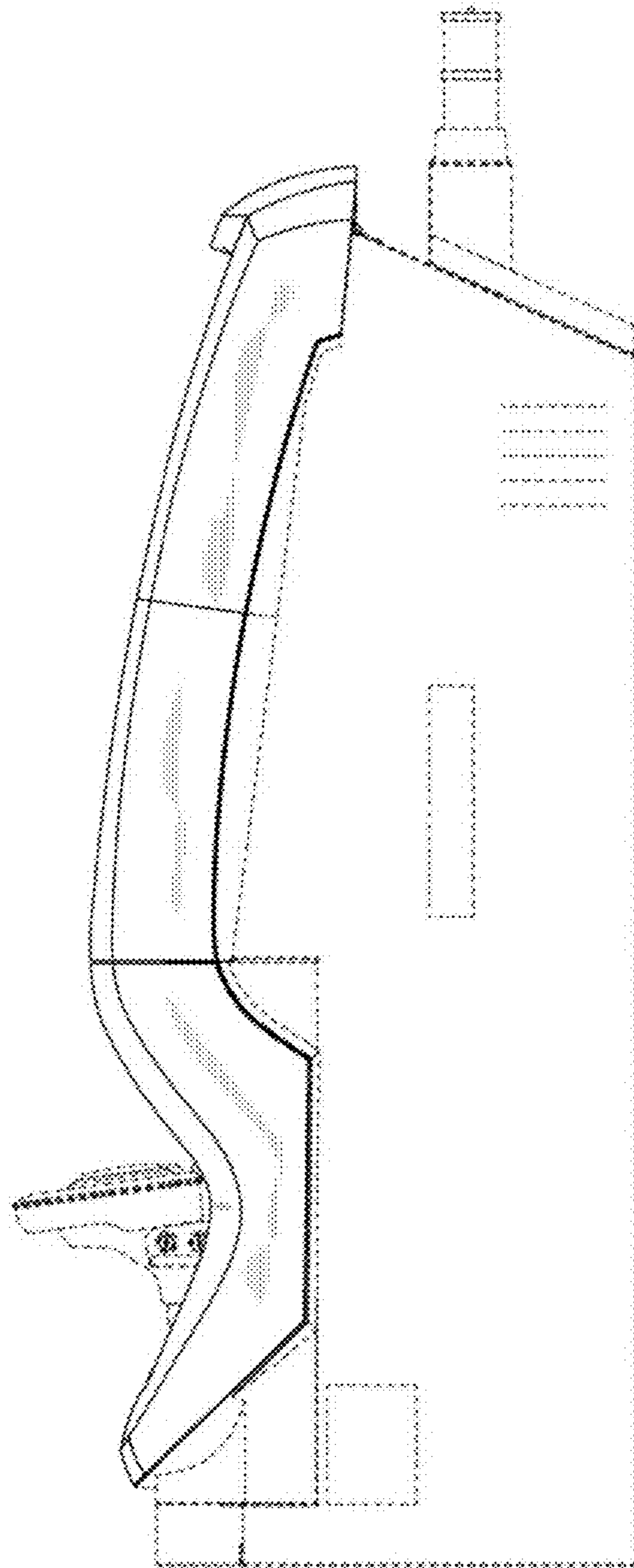
1.4



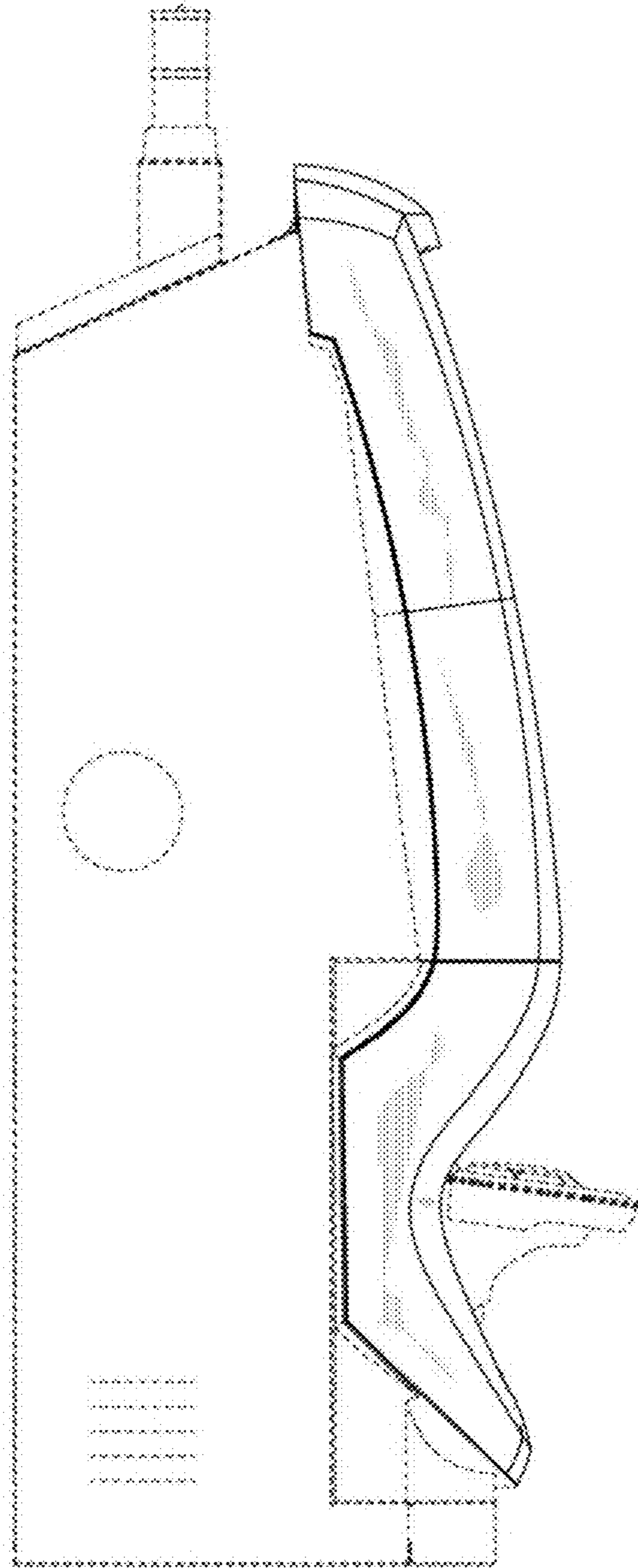
1.5



1.6



1.7



1.8

