



US00D875180S

(12) **United States Design Patent**
Wang

(10) **Patent No.:** **US D875,180 S**
(45) **Date of Patent:** **** Feb. 11, 2020**

- (54) **GAME CONTROLLER**
- (71) Applicant: **Daoyou Wang**, Ezhou (CN)
- (72) Inventor: **Daoyou Wang**, Ezhou (CN)
- (**) Term: **15 Years**
- (21) Appl. No.: **29/692,154**
- (22) Filed: **May 23, 2019**
- (51) **LOC (12) Cl.** **21-02**
- (52) **U.S. Cl.**
USPC **D21/333**
- (58) **Field of Classification Search**
USPC D14/174, 218, 387–389, 400–418,
D14/426–431, 443, 449–450, 454, 471,
D14/511; D21/333, 363, 368
CPC A63F 13/42; A63F 13/98
See application file for complete search history.

(56) **References Cited**

U.S. PATENT DOCUMENTS

D405,780 S *	2/1999	Smith	D14/401
D453,932 S *	2/2002	Han	D14/401
D493,495 S *	7/2004	Avery	D21/330
D575,284 S *	8/2008	Ashida	D14/400
D575,285 S *	8/2008	Ashida	D14/400
D576,624 S *	9/2008	Ashida	D14/400
D710,945 S *	8/2014	Biheller	D14/401
D728,029 S *	4/2015	Ray	D14/400
D815,211 S *	4/2018	Buller	D21/333
D815,696 S *	4/2018	Ehara	D21/333
D819,642 S *	6/2018	Ehara	D14/401
D826,949 S *	8/2018	Ehara	D14/454
D837,299 S *	1/2019	Ehara	D21/333

OTHER PUBLICATIONS

TGJOR Left and Right Wireless Controller Compatible with Nintendo Switch Gyro: Published Jun. 12, 2019 [online], site visited Sep. 25,

2019. Available from Internet URL: https://www.amazon.com/dp/B07SYJGC2/ref=cm_sw_r_tw_dp_U_x_QicJDb1X8GJTA (Year: 2019).*

Maegoo Wireless Controller for Nintendo Switch: Published Jun. 29, 2019 [online], site visited Dec. 1, 2019. Available from Internet URL: https://www.amazon.co.uk/dp/B07TQRWCH9/ref=cm_sw_r_tw_dp_U_x_EBa5DbZ9GBKJK (Year: 2019).*

Geeklin Game Controller for Switch: Published Jul. 25, 2019 [online], site visited Dec. 1, 2019. Available from Internet URL: https://www.amazon.co.uk/dp/B07VPMYMLL/ref=cm_sw_r_tw_dp_U_x_mYa5DbAMHV7JW (Year: 2019).*

* cited by examiner

Primary Examiner — Jack Reickel
Assistant Examiner — Melvin L Davis
 (74) *Attorney, Agent, or Firm* — Gokalp Bayramoglu

(57) **CLAIM**

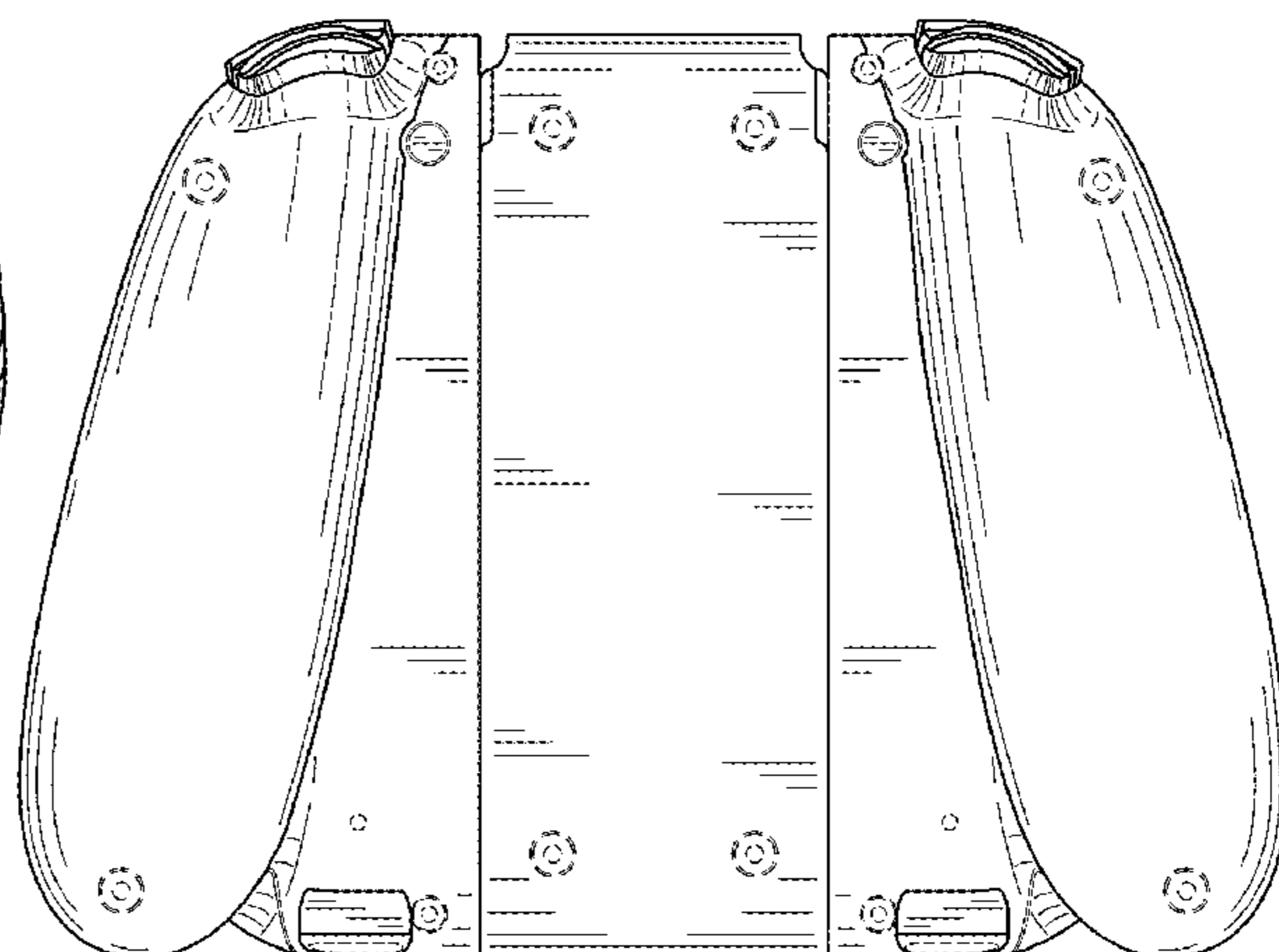
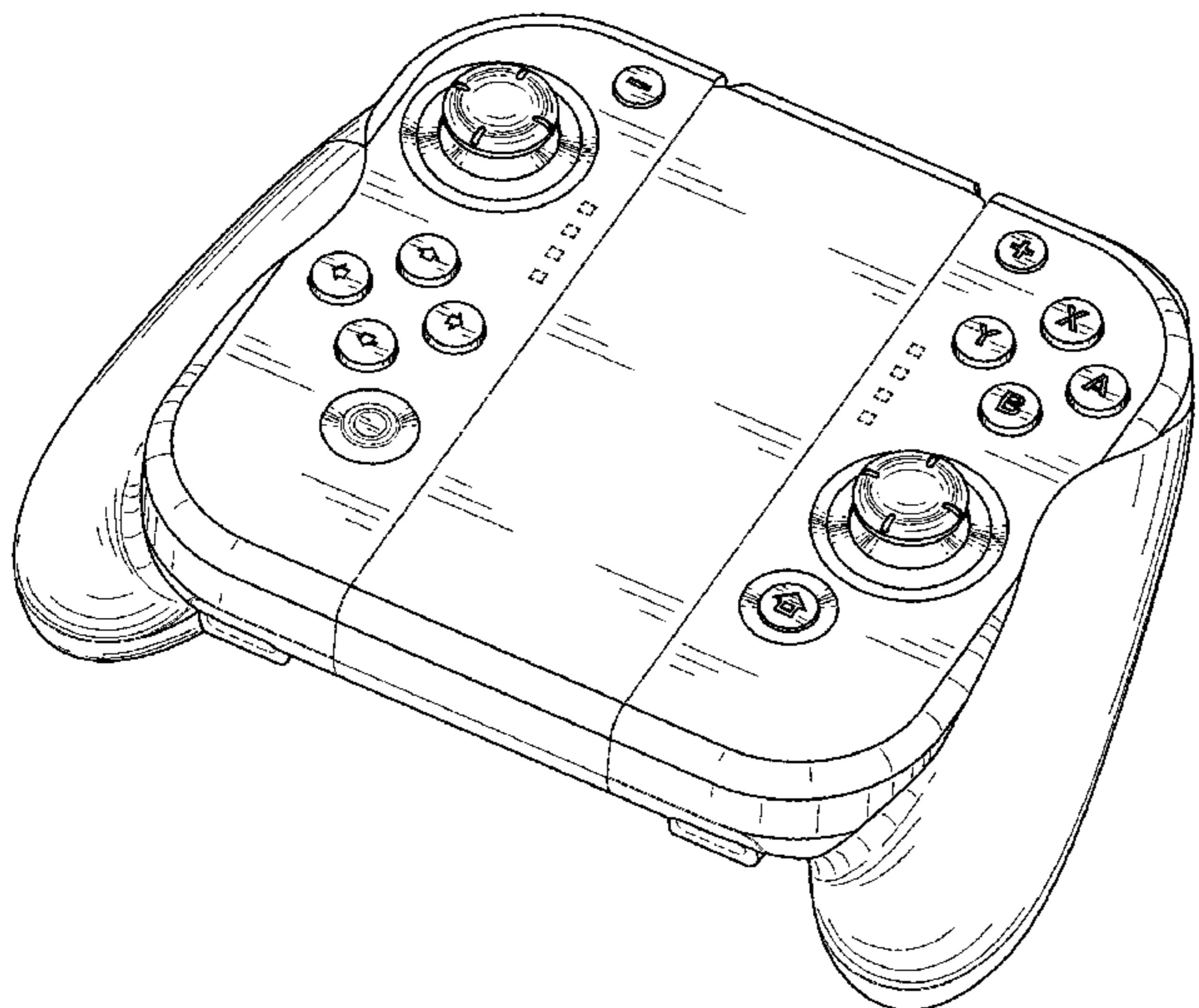
The ornamental design for a game controller, as shown and described.

DESCRIPTION

FIG. 1 is a perspective view of a game controller showing my new design;
 FIG. 2 is front view thereof;
 FIG. 3 is a rear view thereof;
 FIG. 4 is a left side view thereof;
 FIG. 5 is a right side view thereof;
 FIG. 6 is a top view thereof; and,
 FIG. 7 is a bottom view thereof.

The broken lines depict portions of the game controller in which the design is embodied that form no part of the claimed design.

1 Claim, 7 Drawing Sheets



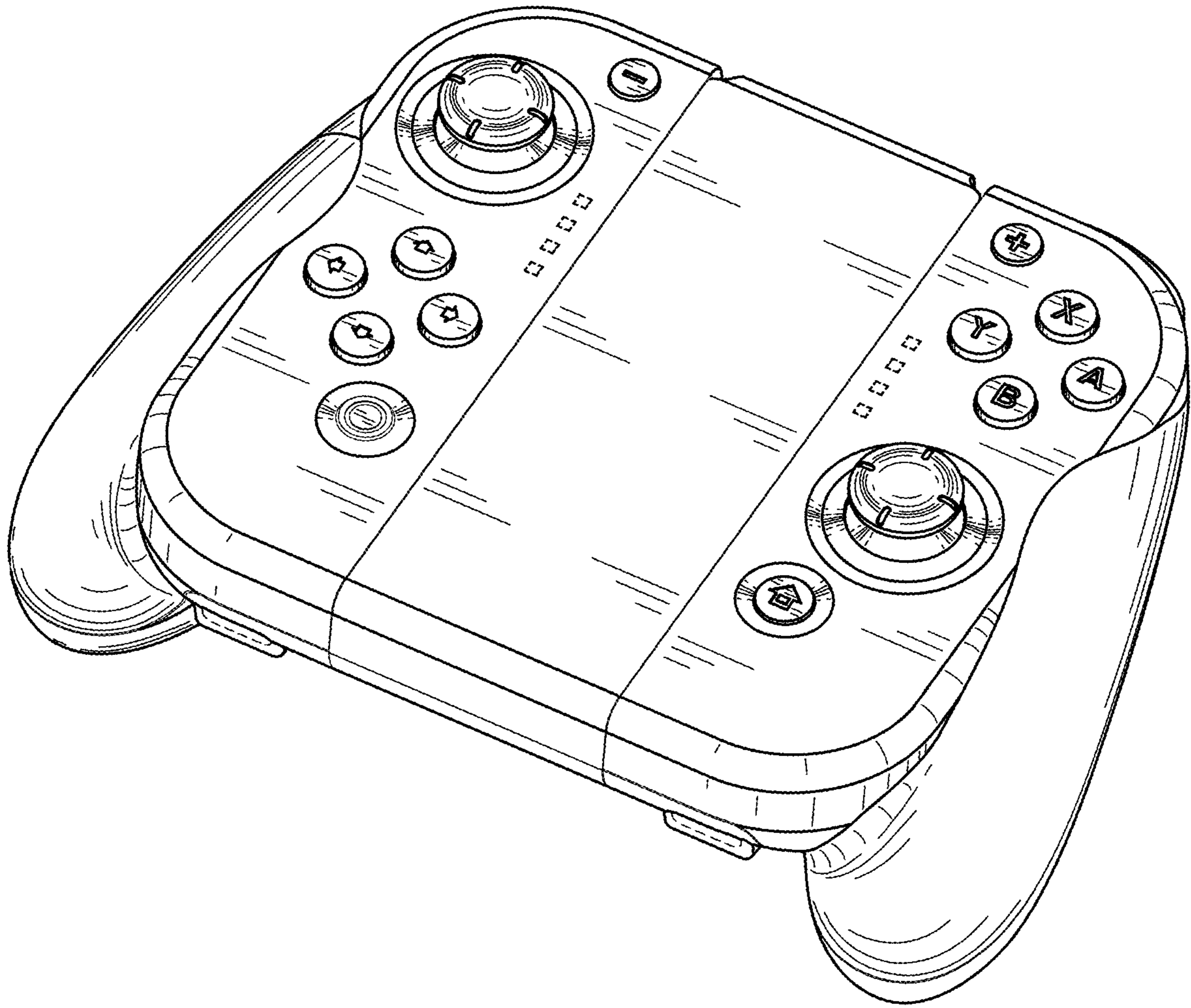


FIG. 1

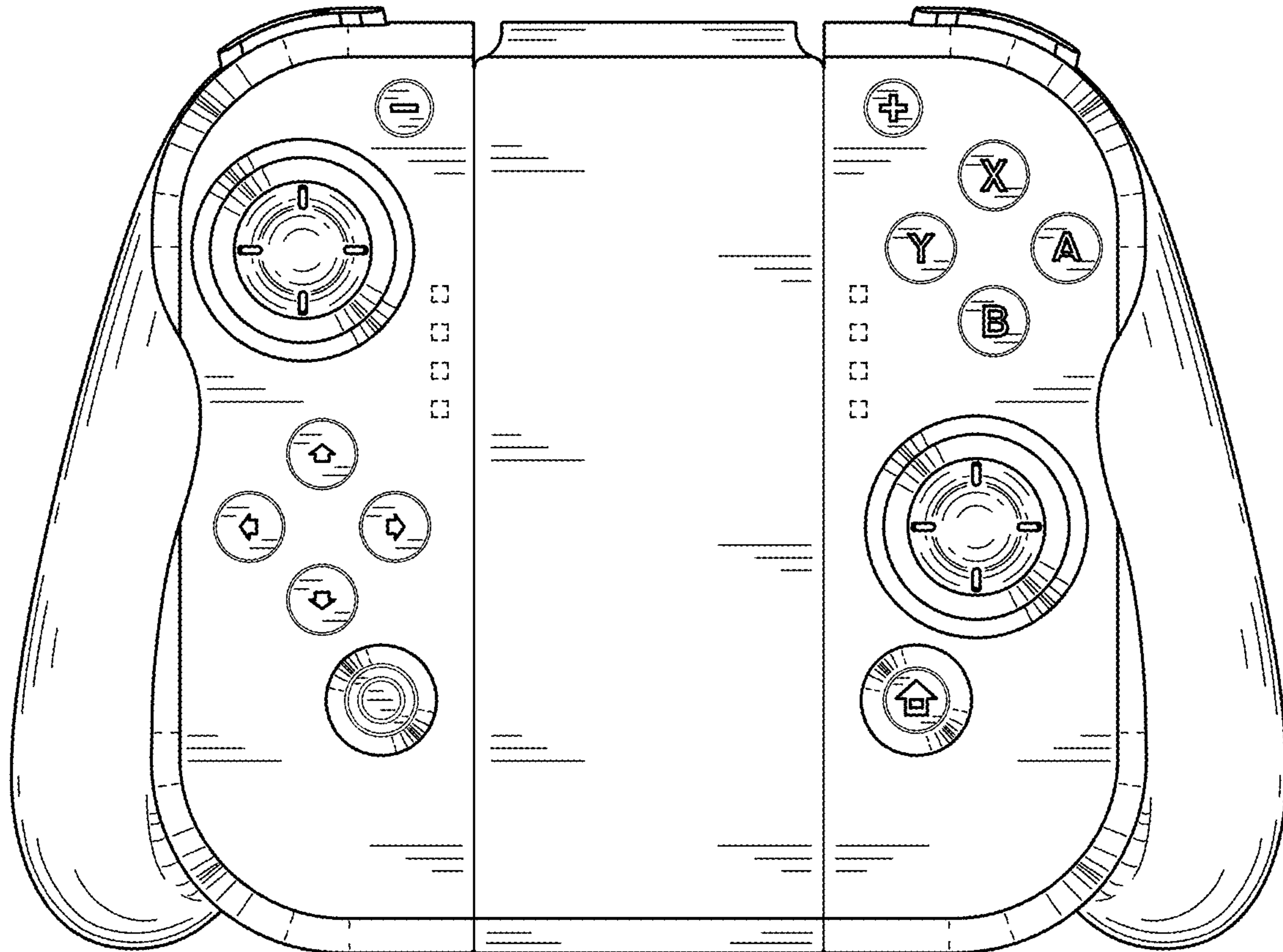


FIG. 2

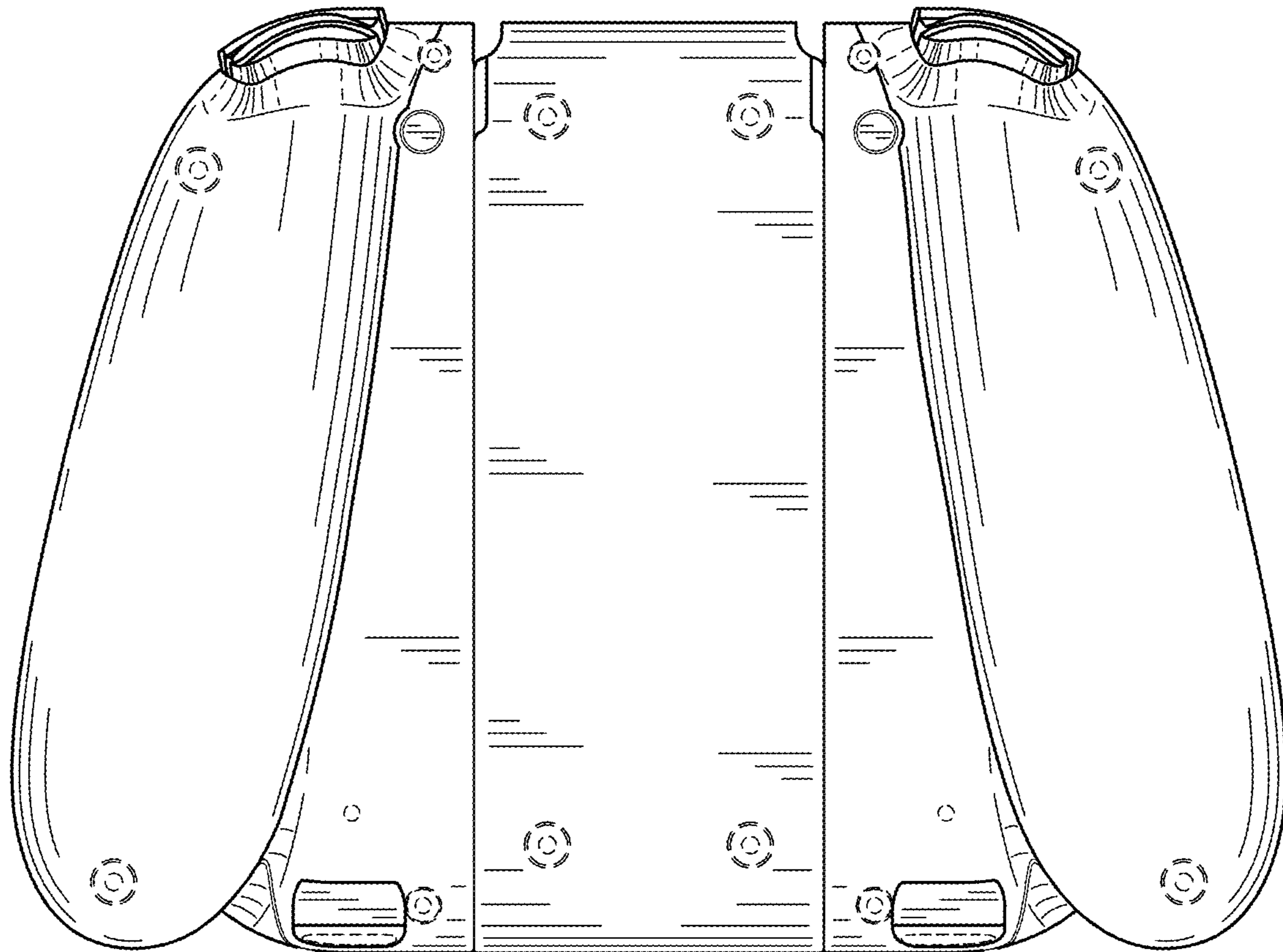


FIG. 3

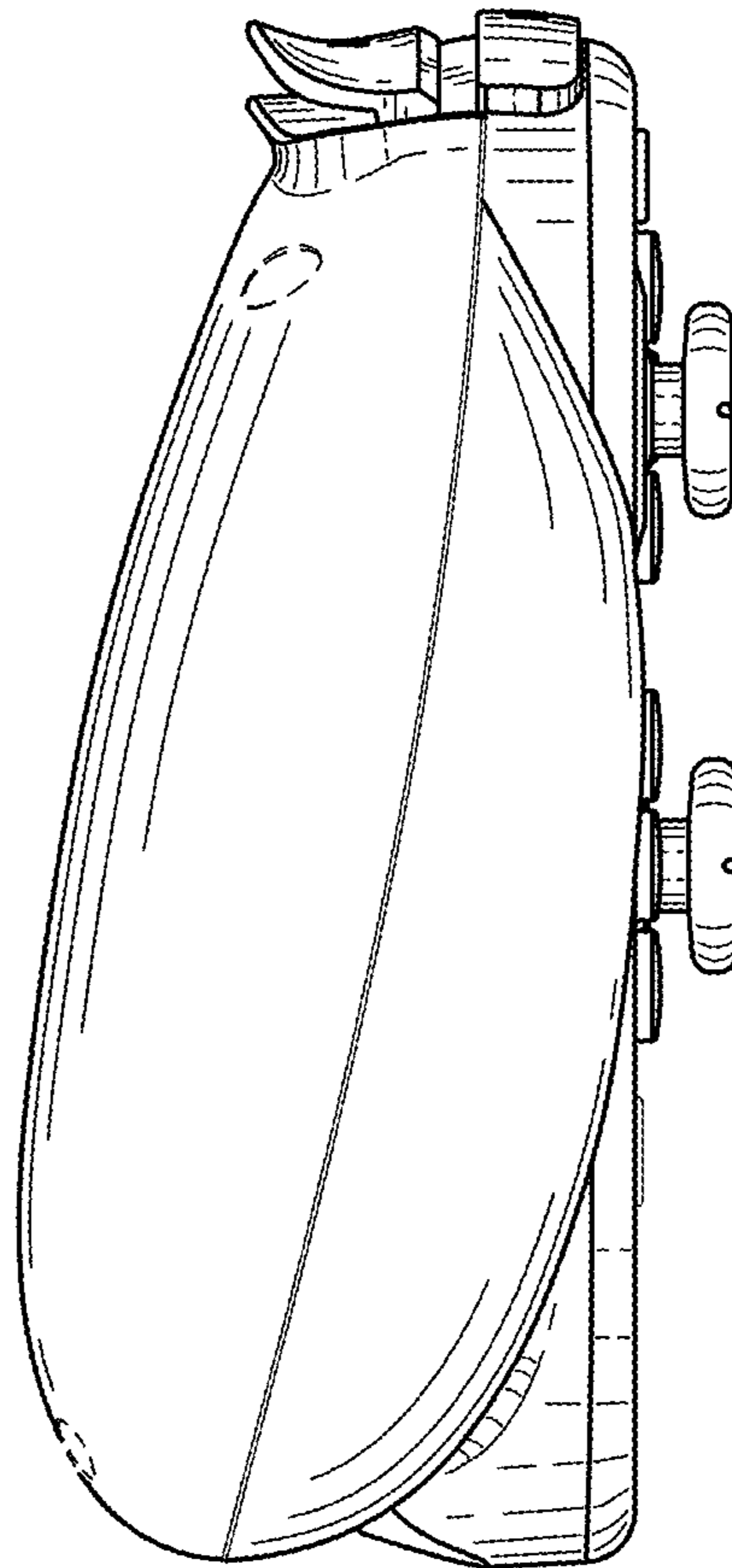


FIG. 4

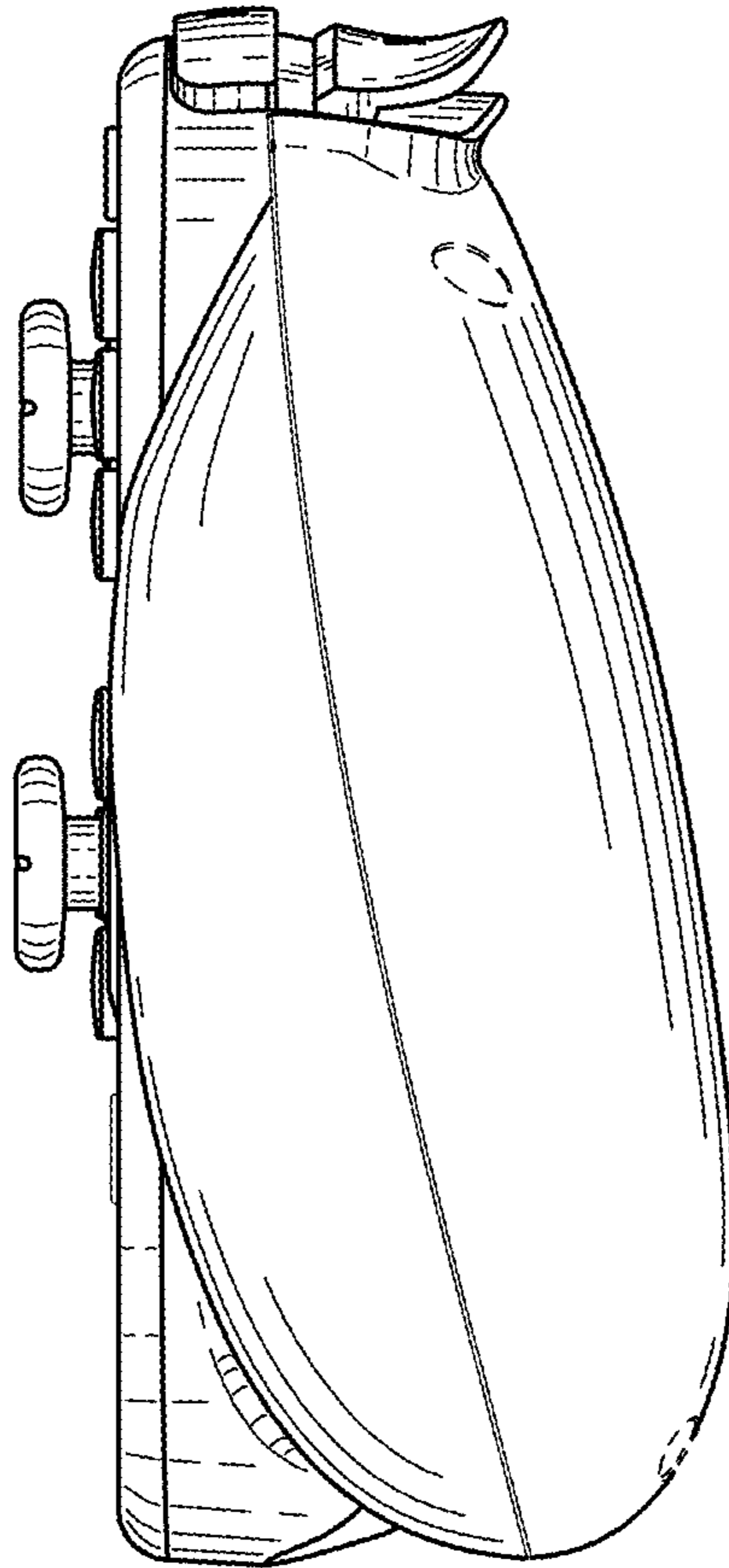


FIG. 5

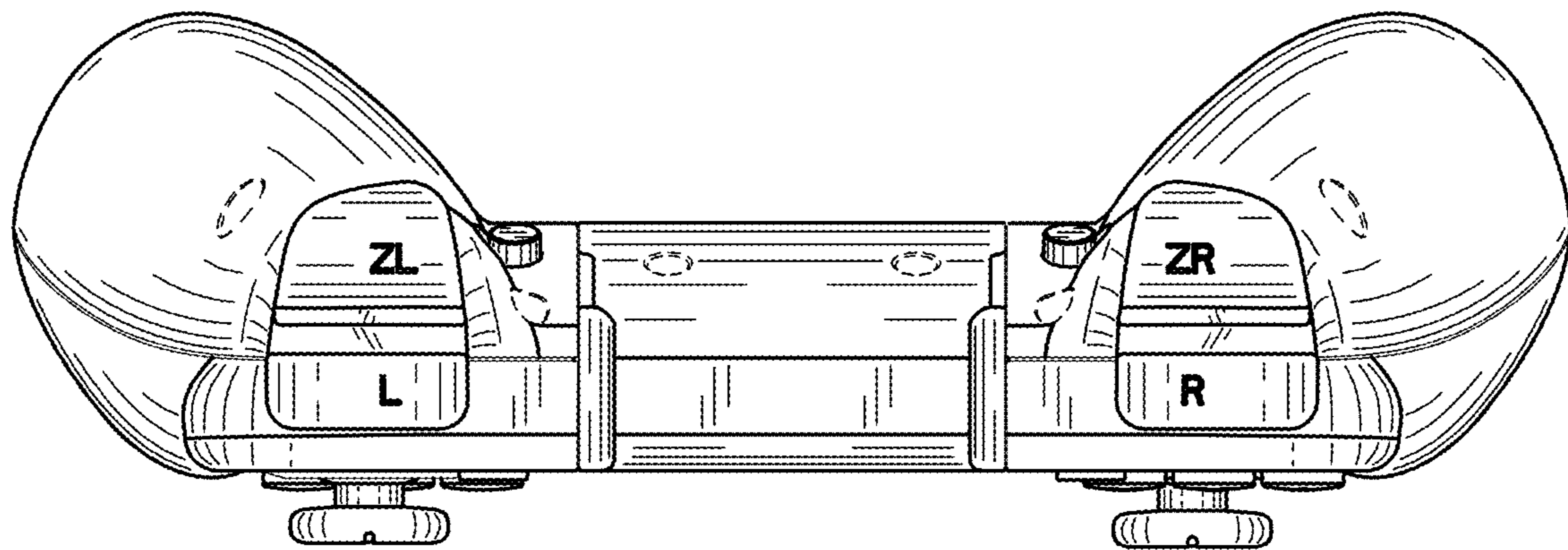


FIG. 6

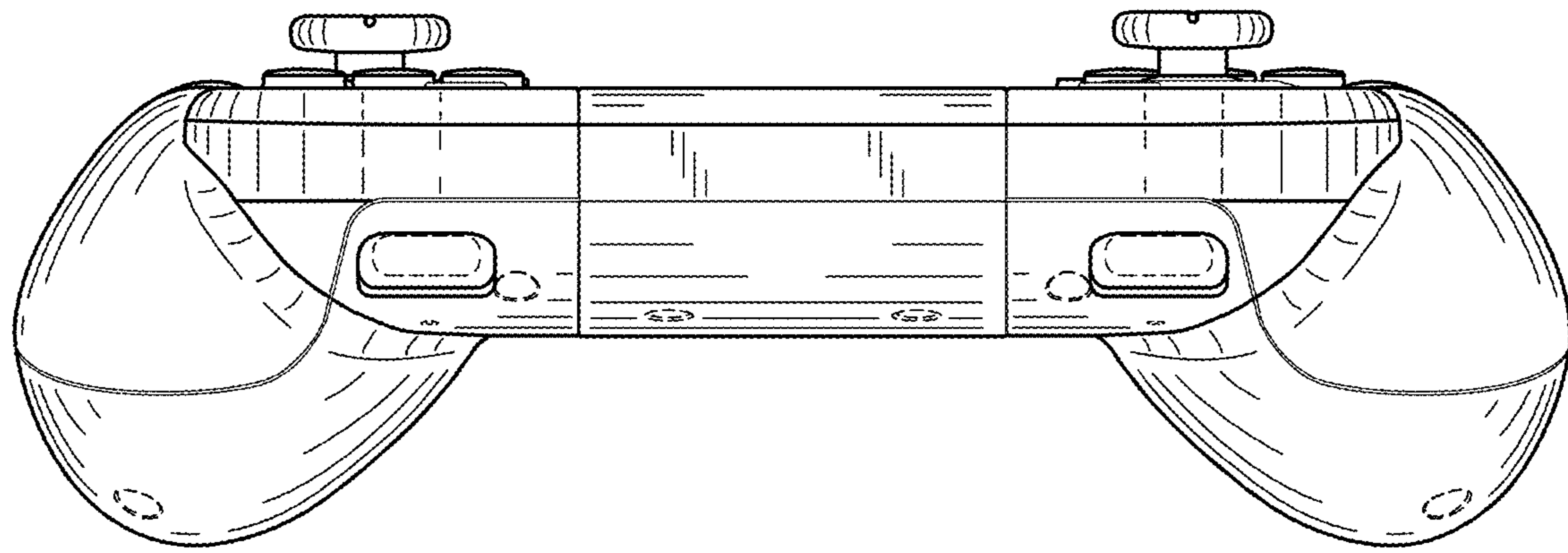


FIG. 7