

US00D875179S

(12) **United States Design Patent**
Wang

(10) **Patent No.:** **US D875,179 S**

(45) **Date of Patent:** **** Feb. 11, 2020**

(54) **GAME CONTROLLER**

(71) Applicant: **Daoyou Wang**, Ezhou (CN)

(72) Inventor: **Daoyou Wang**, Ezhou (CN)

(**) Term: **15 Years**

(21) Appl. No.: **29/667,392**

(22) Filed: **Oct. 22, 2018**

(51) **LOC (12) Cl.** **21-01**

(52) **U.S. Cl.**
USPC **D21/333**

(58) **Field of Classification Search**
USPC D14/174, 218, 387–389, 400–418,
D14/426–431, 443, 449–450, 454, 471,
D14/511; D21/333, 363, 368
CPC A63F 13/42; A63F 13/98
See application file for complete search history.

(56) **References Cited**

U.S. PATENT DOCUMENTS

D444,469	S *	7/2001	Goto	D14/413
D444,470	S *	7/2001	Goto	D14/415
7,063,321	B2 *	6/2006	Hussaini	A63F 13/06 273/148 B
7,235,012	B2 *	6/2007	DiDato	A63F 13/06 463/38
D715,296	S *	10/2014	Huang	D14/401
D718,818	S *	12/2014	Sumii	D14/401
D727,430	S *	4/2015	Sumii	D14/410
D736,860	S *	8/2015	Lovoi	D14/401
D780,180	S *	2/2017	Ironmonger	D14/401
D780,759	S *	3/2017	Ironmonger	D14/401
D780,760	S *	3/2017	Ironmonger	D14/401
D794,027	S *	8/2017	Ironmonger	D14/401
D816,083	S *	4/2018	Wu	D14/401
2015/0238855	A1 *	8/2015	Uy	G06F 3/0338 463/37

OTHER PUBLICATIONS

Wireless Controller for PlayStation 4, Welltop Dual Vibration Shock 4 PS4 : Published Jul. 12, 2019[online], site visited Sep. 10, 2019. Available from Internet URL: https://www.amazon.co.uk/dp/B07TML7NLY/ref=cm_sw_r_tw_dp_U_x_AkRIDbB79E10R (Year: 2019).*

Qingta Wireless Game Controller for PS4 Rechargeable Support PC: Published May 25, 2019 [online], site visited Dec. 5, 2019. Available from Internet URL: https://www.amazon.co.uk/dp/B07SCLSFF4/ref=cm_sw_r_tw_dp_U_x_jHA6Db362219W (Year: 2019).*

* cited by examiner

Primary Examiner — Jack Reickel

Assistant Examiner — Melvin L Davis

(74) *Attorney, Agent, or Firm* — Gokalp Bayramoglu

(57) **CLAIM**

The ornamental design for a game controller, as shown and described.

DESCRIPTION

FIG. 1 is a perspective view of a game controller showing my new design;

FIG. 2 is another perspective view thereof;

FIG. 3 is a front view thereof;

FIG. 4 is a rear view thereof;

FIG. 5 is a right side view thereof;

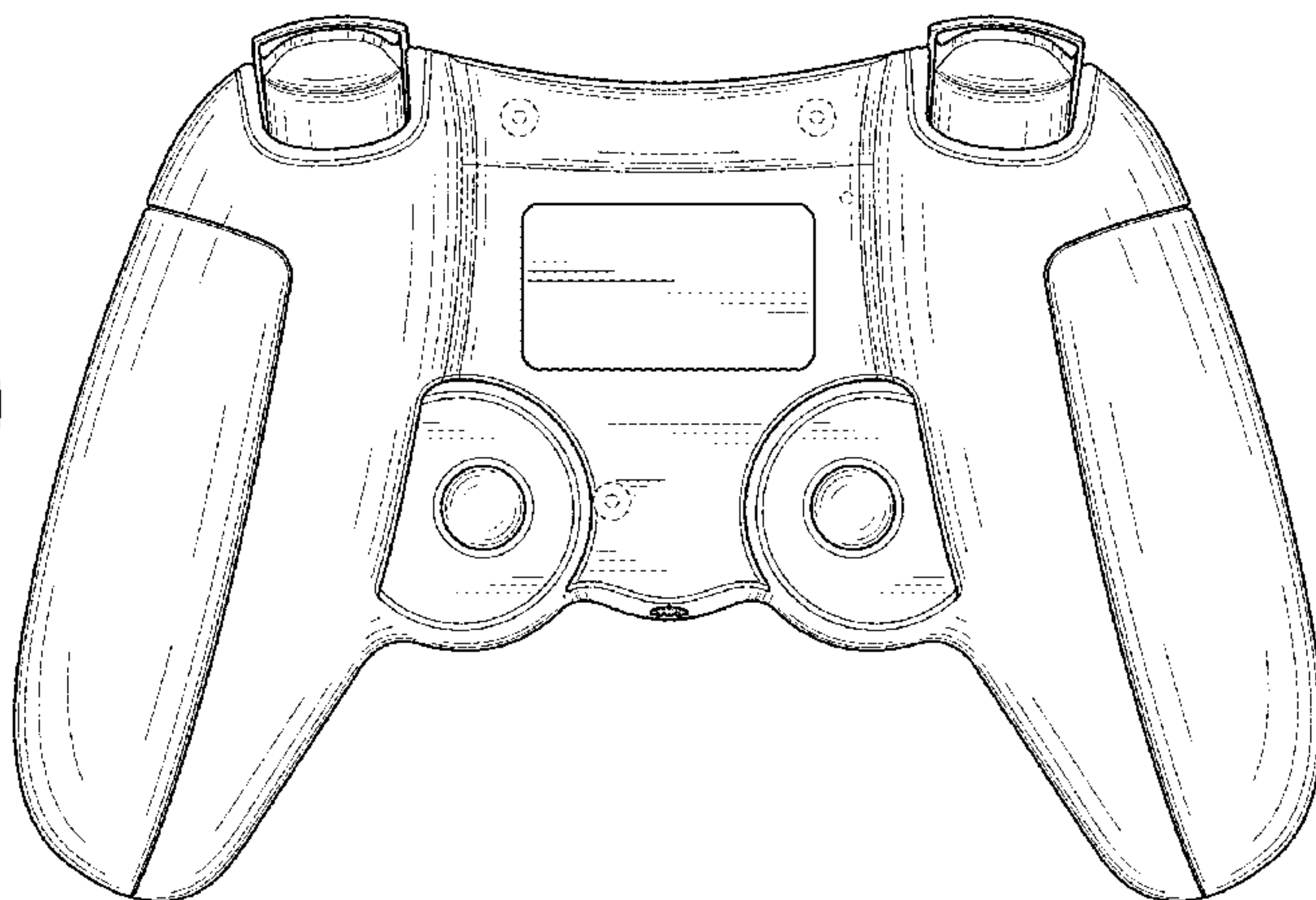
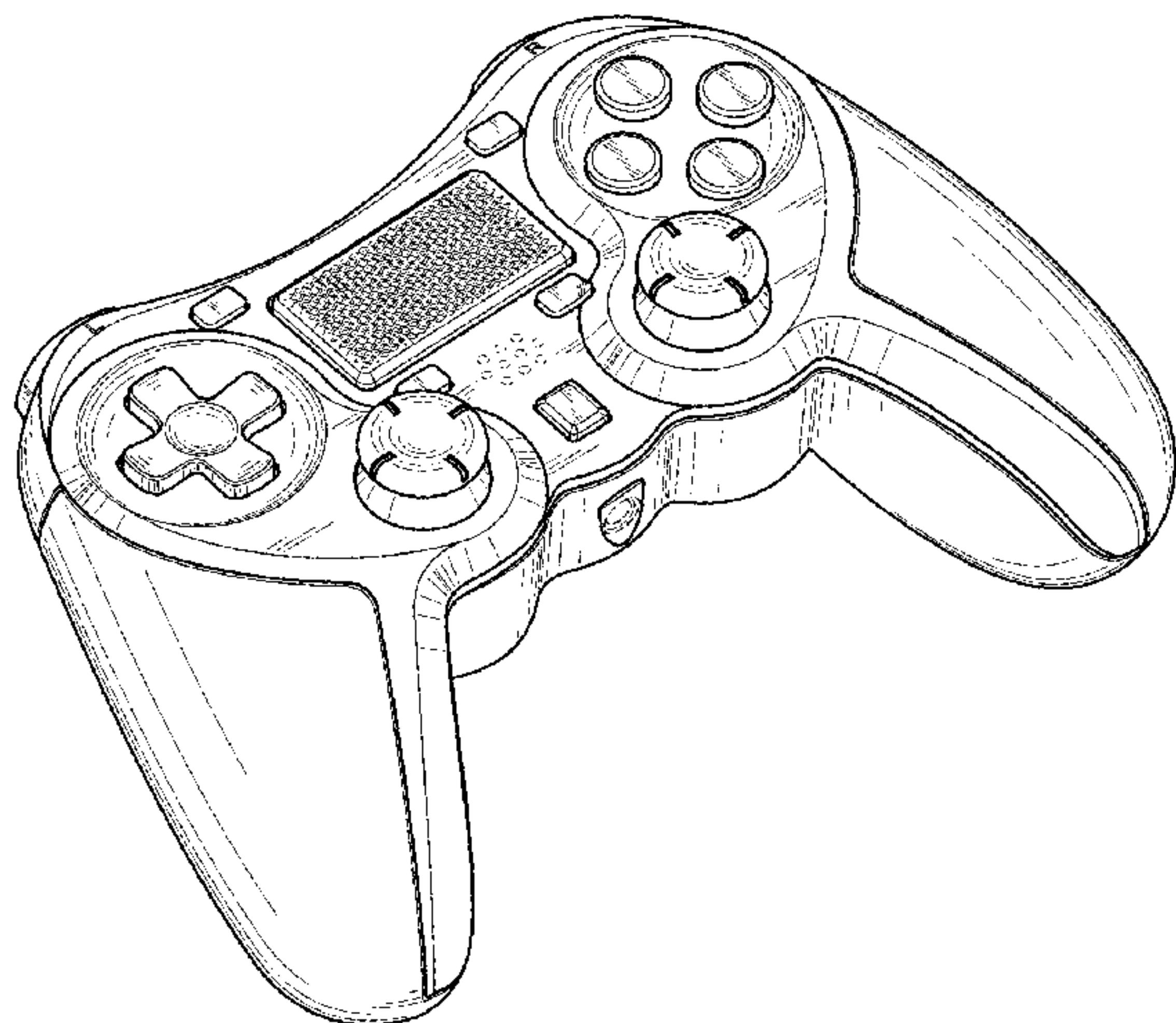
FIG. 6 is a left side view thereof;

FIG. 7 is a top view thereof; and,

FIG. 8 is a bottom view thereof.

The broken lines depict portions of the game controller in which the design is embodied that form no part of the claimed design.

1 Claim, 8 Drawing Sheets



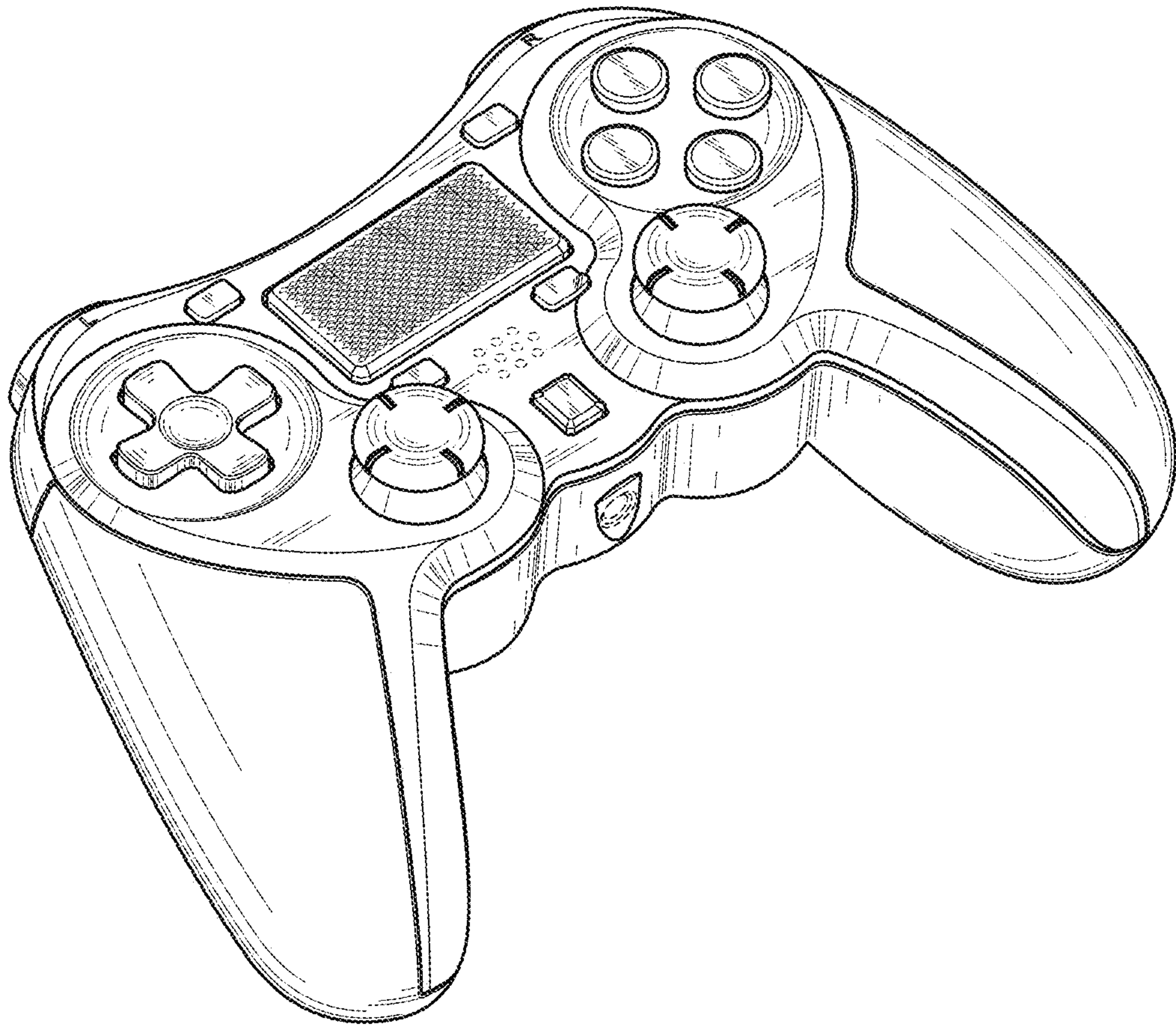


Fig. 1

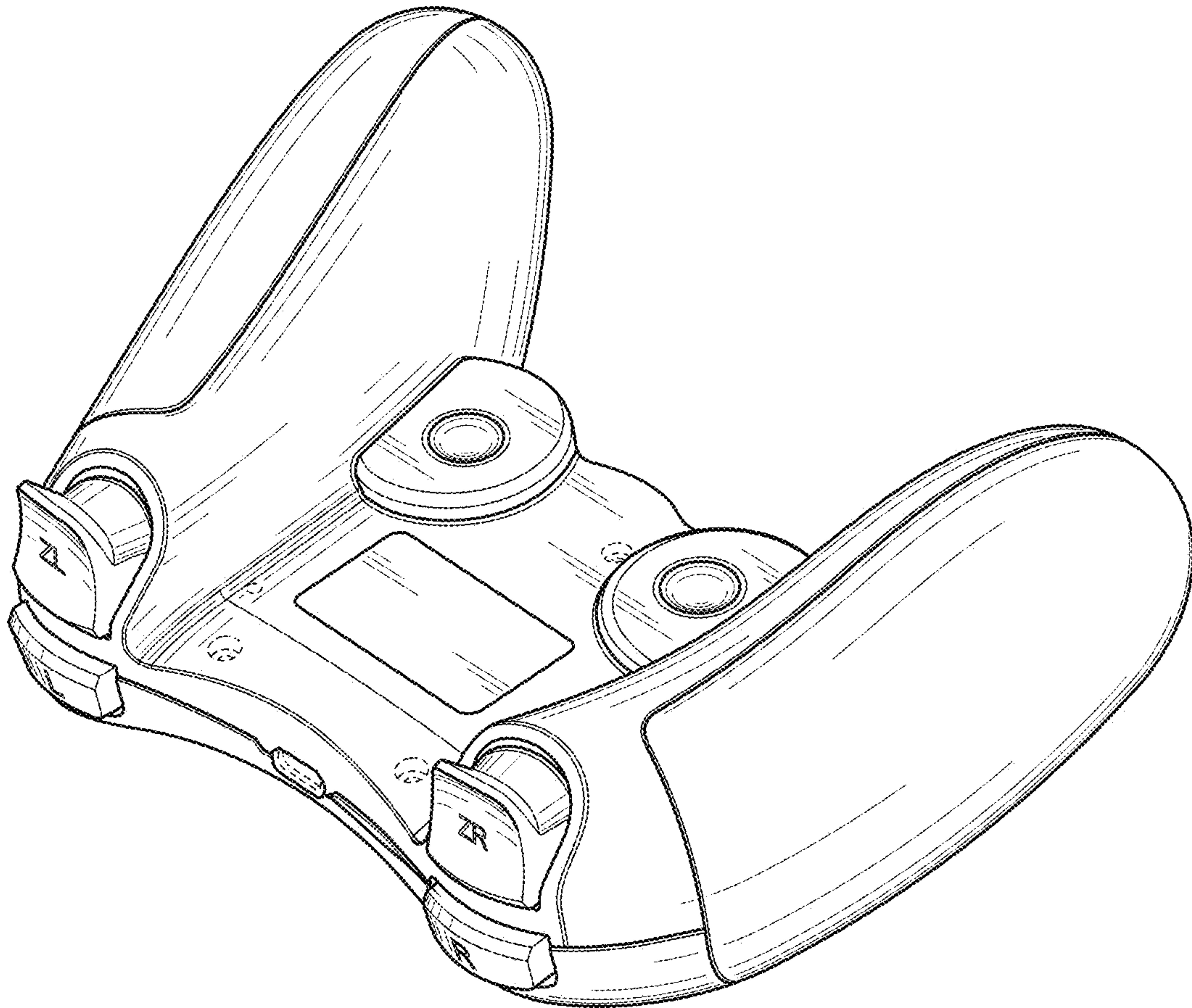


Fig. 2

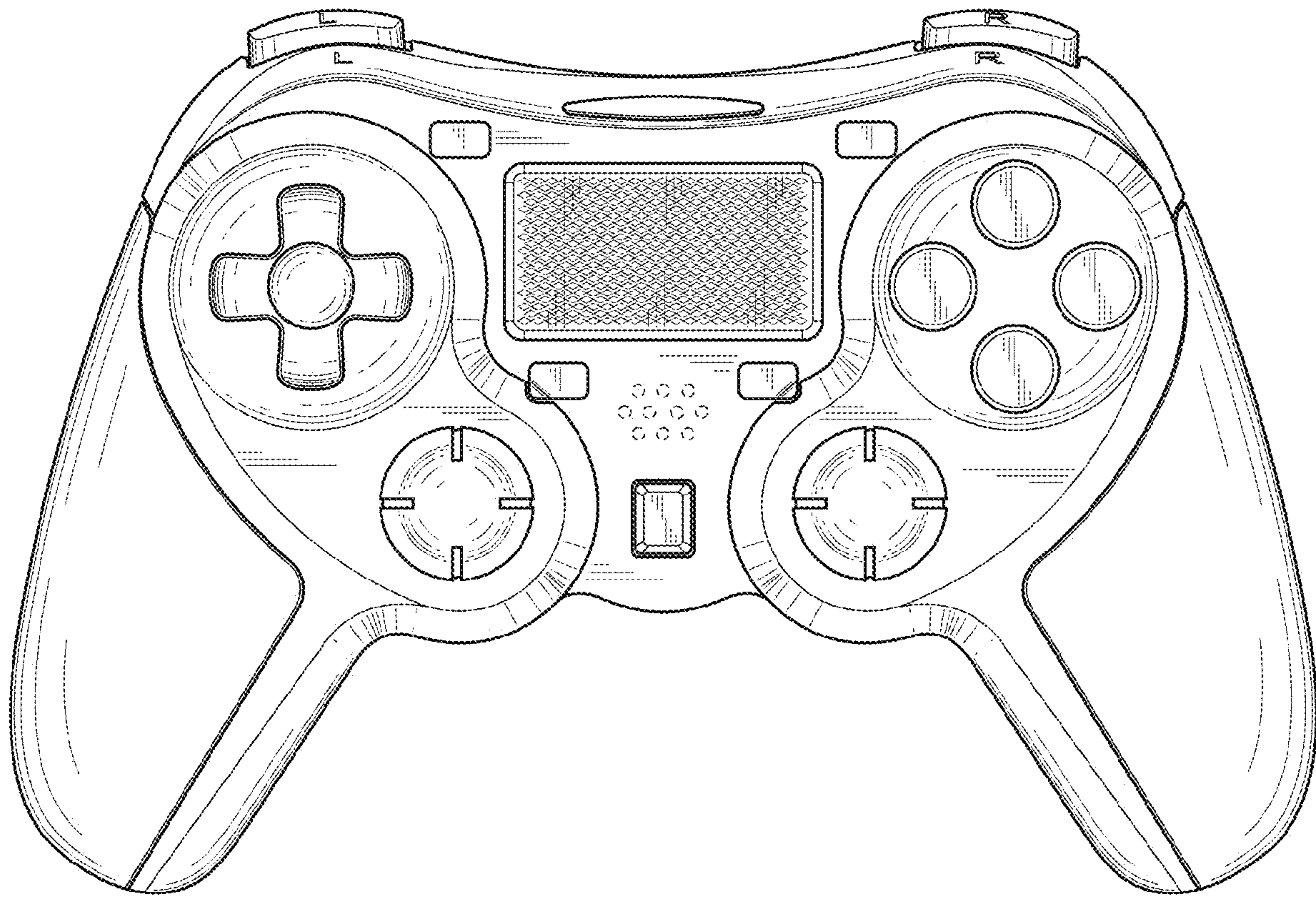


Fig. 3

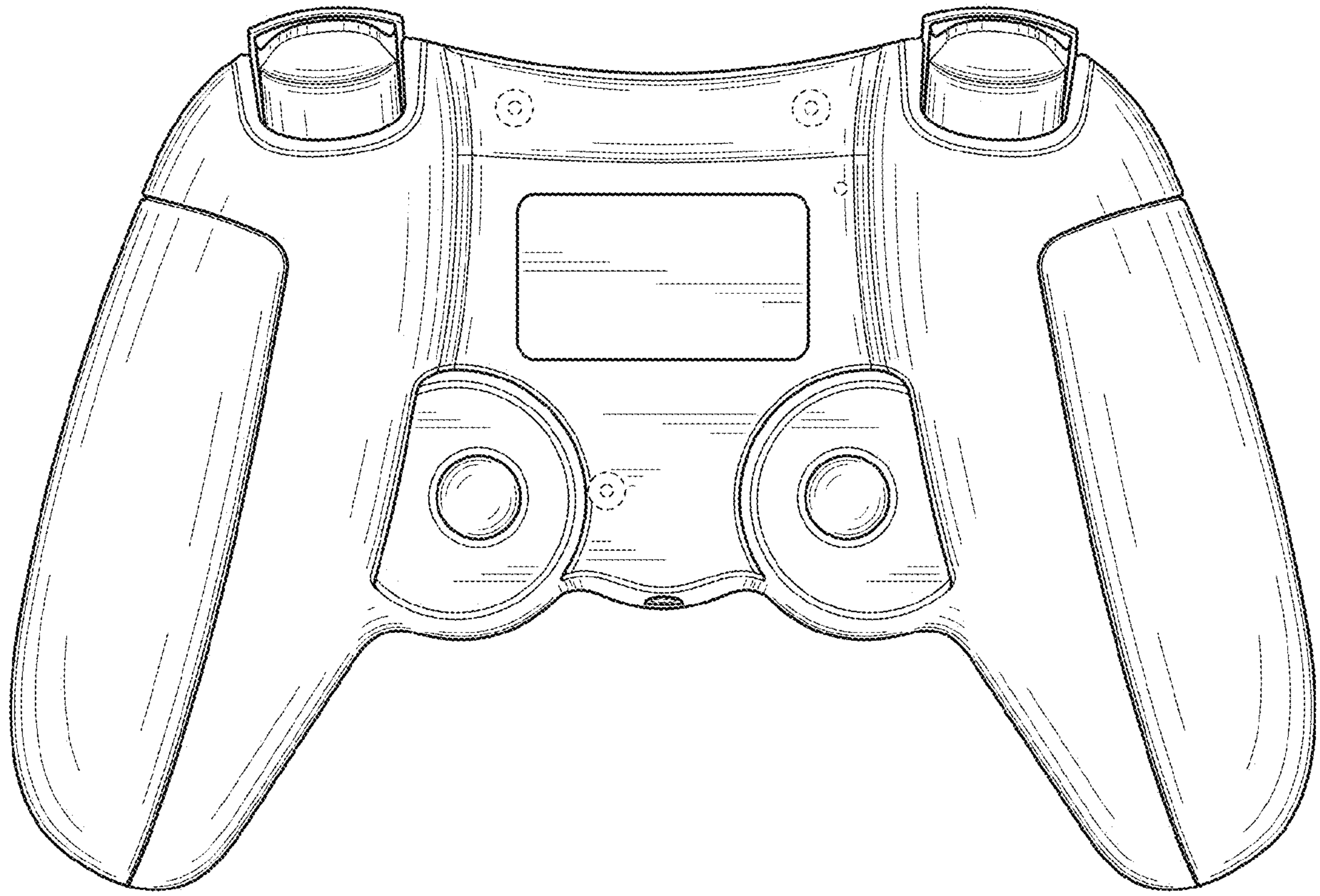


Fig. 4

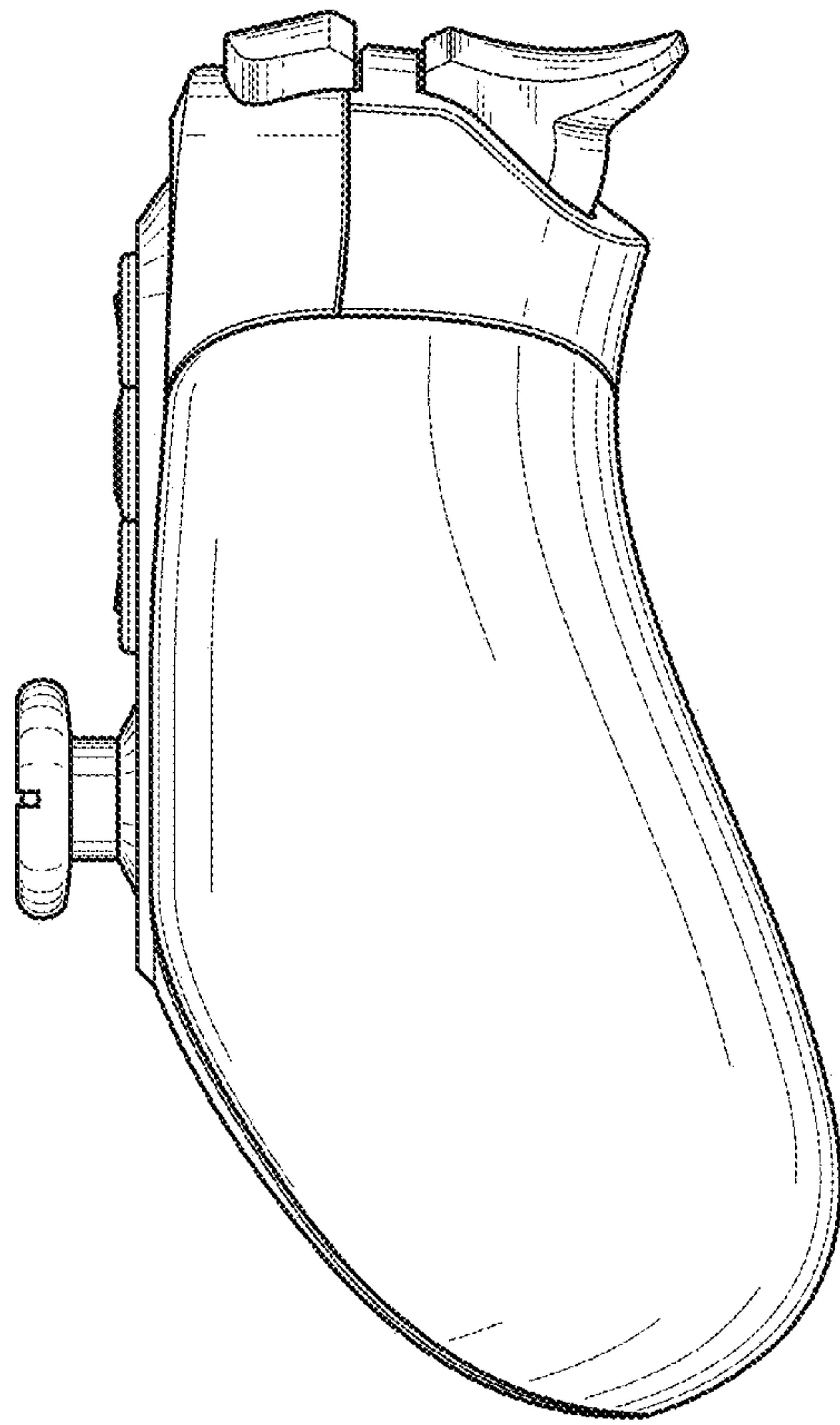


Fig. 5

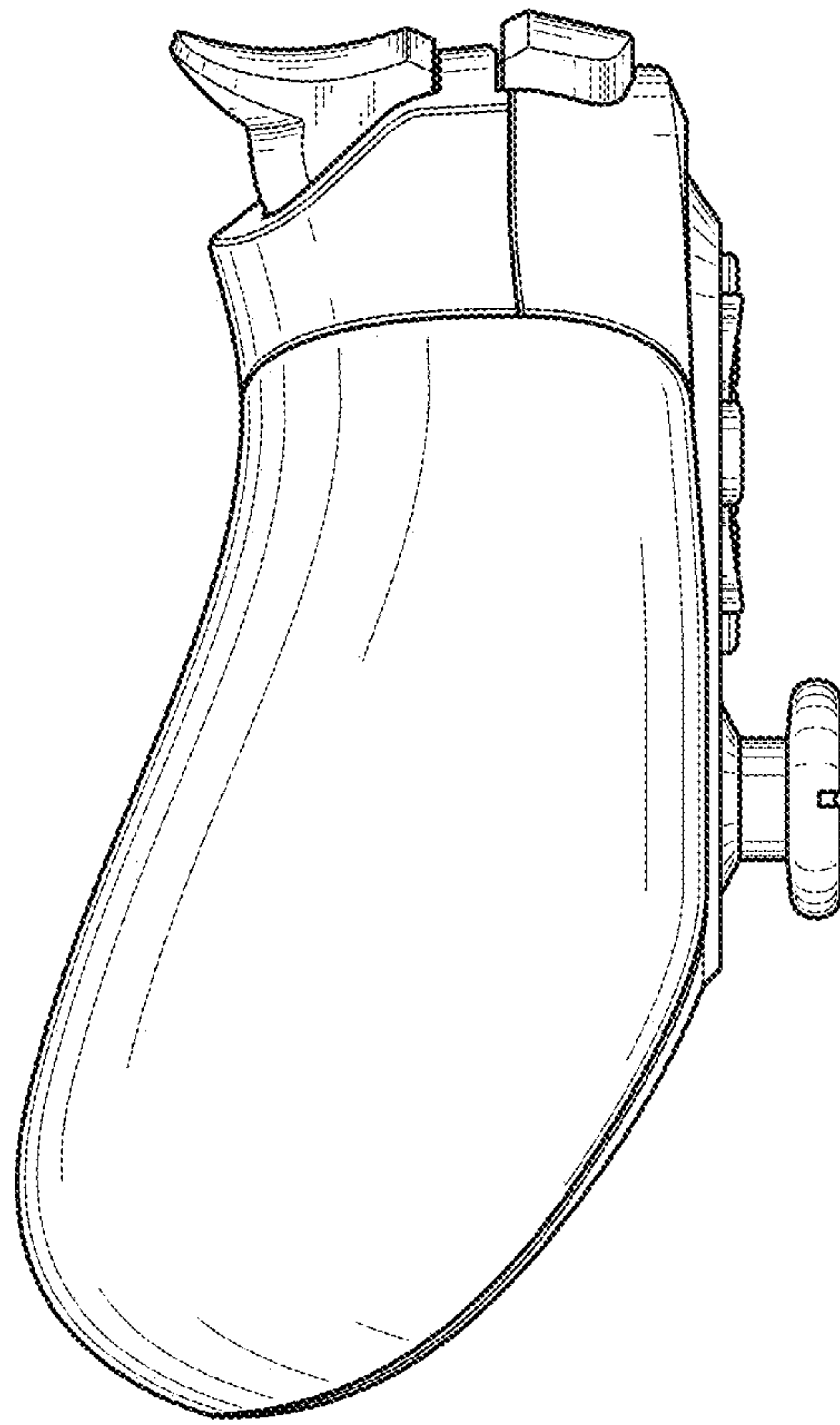


Fig. 6

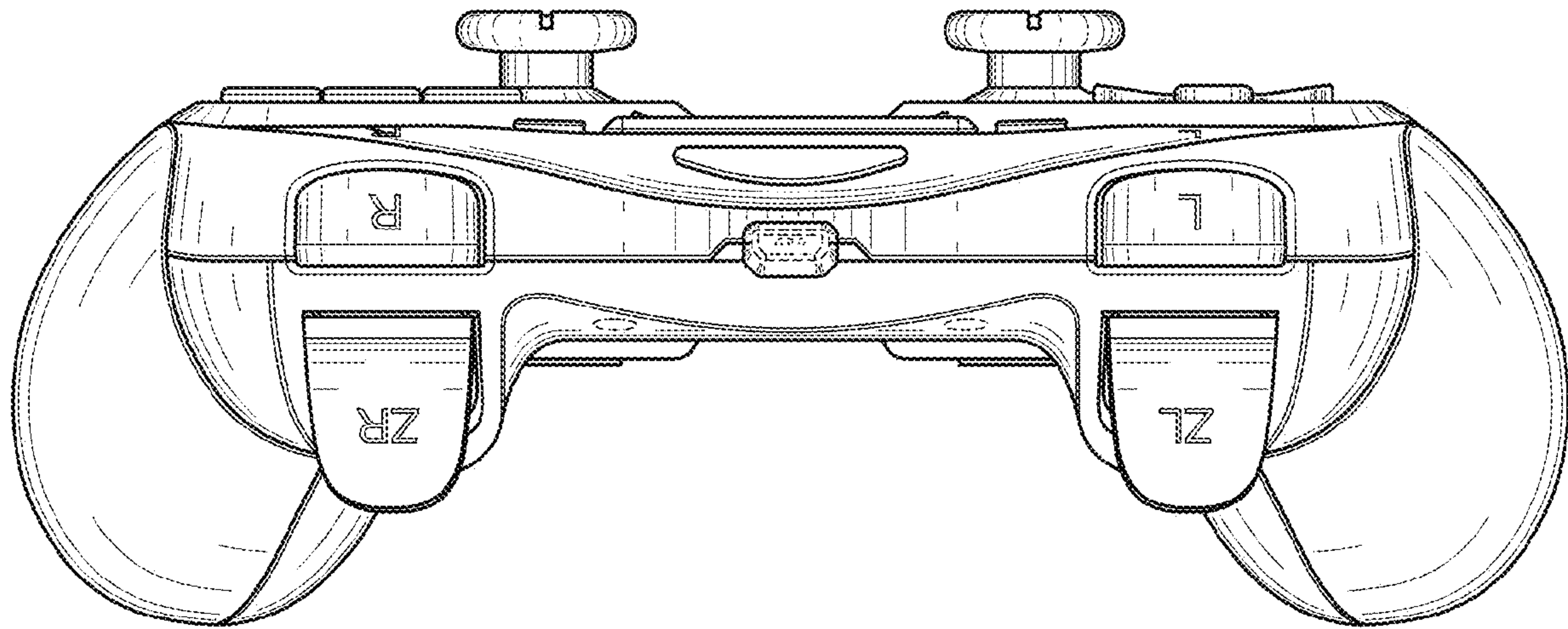


Fig. 7

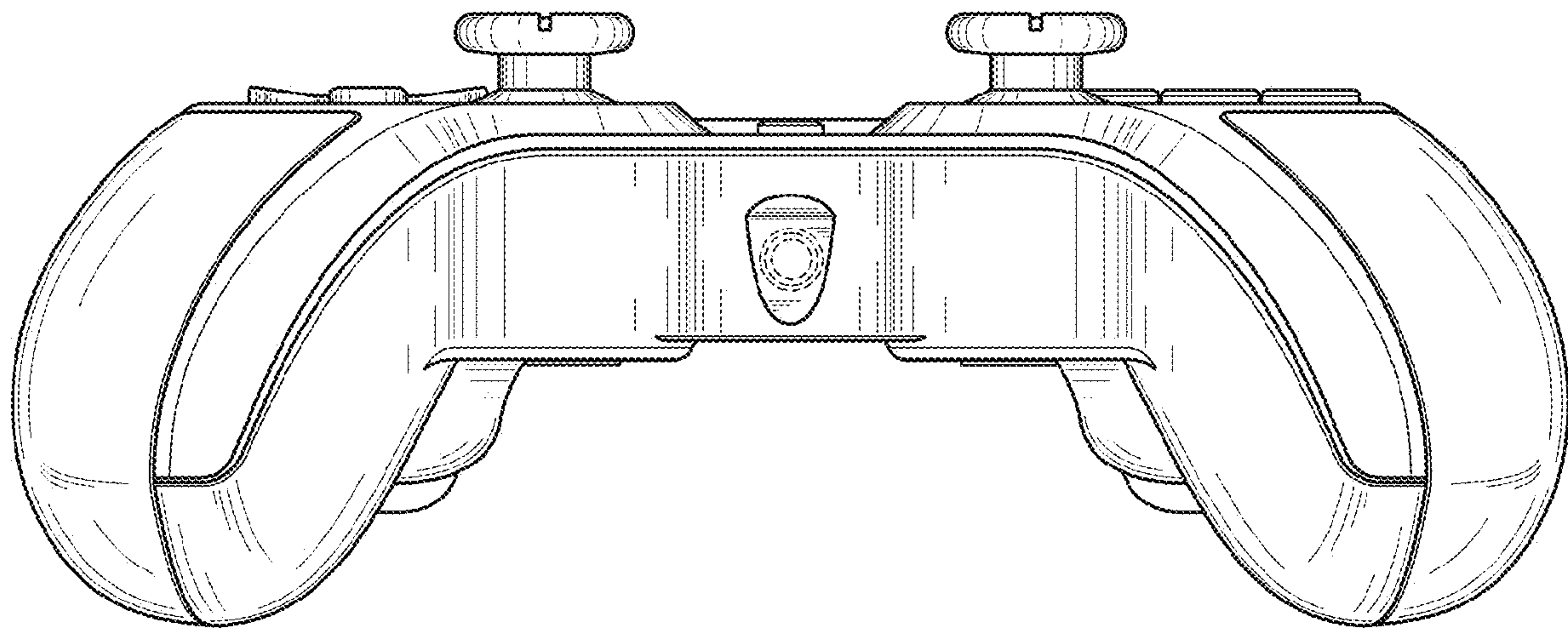


Fig. 8