



US00D875173S

(12) **United States Design Patent**  
**Naito et al.**

(10) **Patent No.:** **US D875,173 S**  
(45) **Date of Patent:** **\*\* Feb. 11, 2020**

(54) **INK CARTRIDGE**

(71) Applicant: **SEIKO EPSON CORPORATION,**  
Tokyo (JP)

(72) Inventors: **Naoki Naito,** Matsumoto (JP); **Yuji Aoki,** Nagano-ken (JP)

(73) Assignee: **SEIKO EPSON CORPORATION,**  
Tokyo (JP)

(\*\*) Term: **15 Years**

(21) Appl. No.: **29/627,463**

(22) Filed: **Nov. 28, 2017**

(30) **Foreign Application Priority Data**

Jun. 9, 2017 (JP) ..... 2017-012389

(51) **LOC (12) Cl.** ..... **18-02**

(52) **U.S. Cl.**  
USPC ..... **D18/56**

(58) **Field of Classification Search**  
USPC ..... D14/299, 301-303, 307, 332, 386,  
D14/420-425, 432, 439, 441, 443, 447,  
D14/462-471, 474, 480.5, 483-484;  
D18/12, 14, 18-19, 36-41, 43-54, 54.1,  
D18/55-59, 99  
CPC .. G06K 15/12; G06K 15/14; B41J 3/00; B41J  
3/28; B41J 11/00; B41J 11/58; B41J  
15/12; B41J 15/042; B41J 2/17503; B41J  
2/1752; B41J 2/17573; B41J 2/17553;  
G03G 15/00; G03G 15/0142; H04N  
1/00129; H04N 1/00135; H04N 1/00204;  
H04N 1/00278

See application file for complete search history.

(56) **References Cited**

**U.S. PATENT DOCUMENTS**

D361,591 S \* 8/1995 Tokuda ..... 347/86  
D447,513 S \* 9/2001 Miyazawa ..... D18/56

D490,846 S \* 6/2004 Suzuki ..... D18/56  
D492,962 S \* 7/2004 Suzuki ..... D18/56  
D522,049 S \* 5/2006 Ishizawa ..... 347/86  
D524,855 S \* 7/2006 Ishizawa ..... 347/86  
D538,338 S \* 3/2007 Matsumoto ..... 347/86  
D539,341 S \* 3/2007 Hattori ..... 347/86  
D541,851 S \* 5/2007 Hattori ..... 347/86  
D549,280 S \* 8/2007 Morino ..... 347/86  
D556,258 S \* 11/2007 Morino ..... D18/56  
D570,408 S \* 6/2008 Morino ..... 347/86  
D585,090 S \* 1/2009 Ishizawa ..... D18/56  
D586,849 S \* 2/2009 Nozawa ..... 347/86  
D591,340 S \* 4/2009 Nozawa ..... 347/86  
D591,791 S \* 5/2009 Matsumoto ..... 347/86  
D591,792 S \* 5/2009 Nozawa ..... 347/86  
D592,241 S \* 5/2009 Nozawa ..... 347/86  
D656,183 S \* 3/2012 Nanjo ..... D18/56  
D656,184 S \* 3/2012 Iwamuro ..... D18/56

(Continued)

*Primary Examiner* — Cathron C Brooks

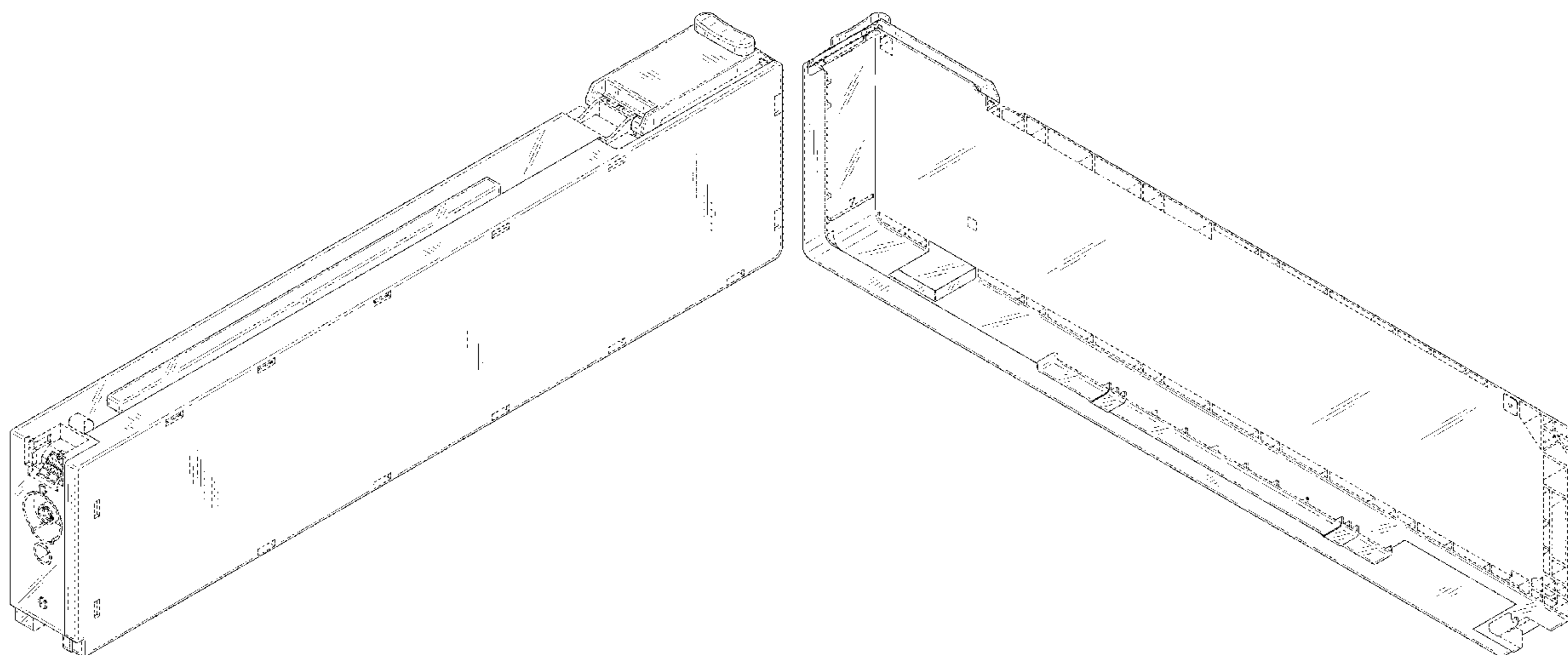
(57) **CLAIM**

The ornamental design for an ink cartridge, as shown and described.

**DESCRIPTION**

FIG. 1 is a front, top and left side perspective view of an ink cartridge showing our new design;  
FIG. 2 is a rear, bottom and right side perspective view thereof;  
FIG. 3 is a front view thereof;  
FIG. 4 is a rear view thereof;  
FIG. 5 is a top plan view thereof;  
FIG. 6 is a bottom plan view thereof;  
FIG. 7 is a right side view thereof; and,  
FIG. 8 is a left side view thereof.  
The broken lines illustrate portions of the ink cartridge and form no part of the claimed design. The parts illustrated with fine, diagonal, parallel lines in each view are translucent.

**1 Claim, 8 Drawing Sheets**



(56)

**References Cited**

U.S. PATENT DOCUMENTS

D656,185	S *	3/2012	Oya .....	D18/56
D656,186	S *	3/2012	Oya .....	D18/56
D656,540	S *	3/2012	Oya .....	D18/56
D682,929	S *	5/2013	Aoki .....	D18/56
D682,930	S *	5/2013	Aoki .....	D18/56
D682,931	S *	5/2013	Aoki .....	D18/56
D707,290	S *	6/2014	Harvey .....	D18/56
D709,127	S *	7/2014	Boyd .....	D18/56
D761,908	S *	7/2016	Takagiwa .....	D18/56
D762,261	S *	7/2016	Takagiwa .....	D18/56
9,555,637	B2 *	1/2017	Kumagai .....	B41J 2/1752
9,561,663	B2 *	2/2017	Katsuki .....	B41J 2/17553
D842,926	S *	3/2019	Takagiwa .....	D18/56
2015/0273841	A1 *	10/2015	Takagiwa .....	B41J 2/17513 347/86

\* cited by examiner

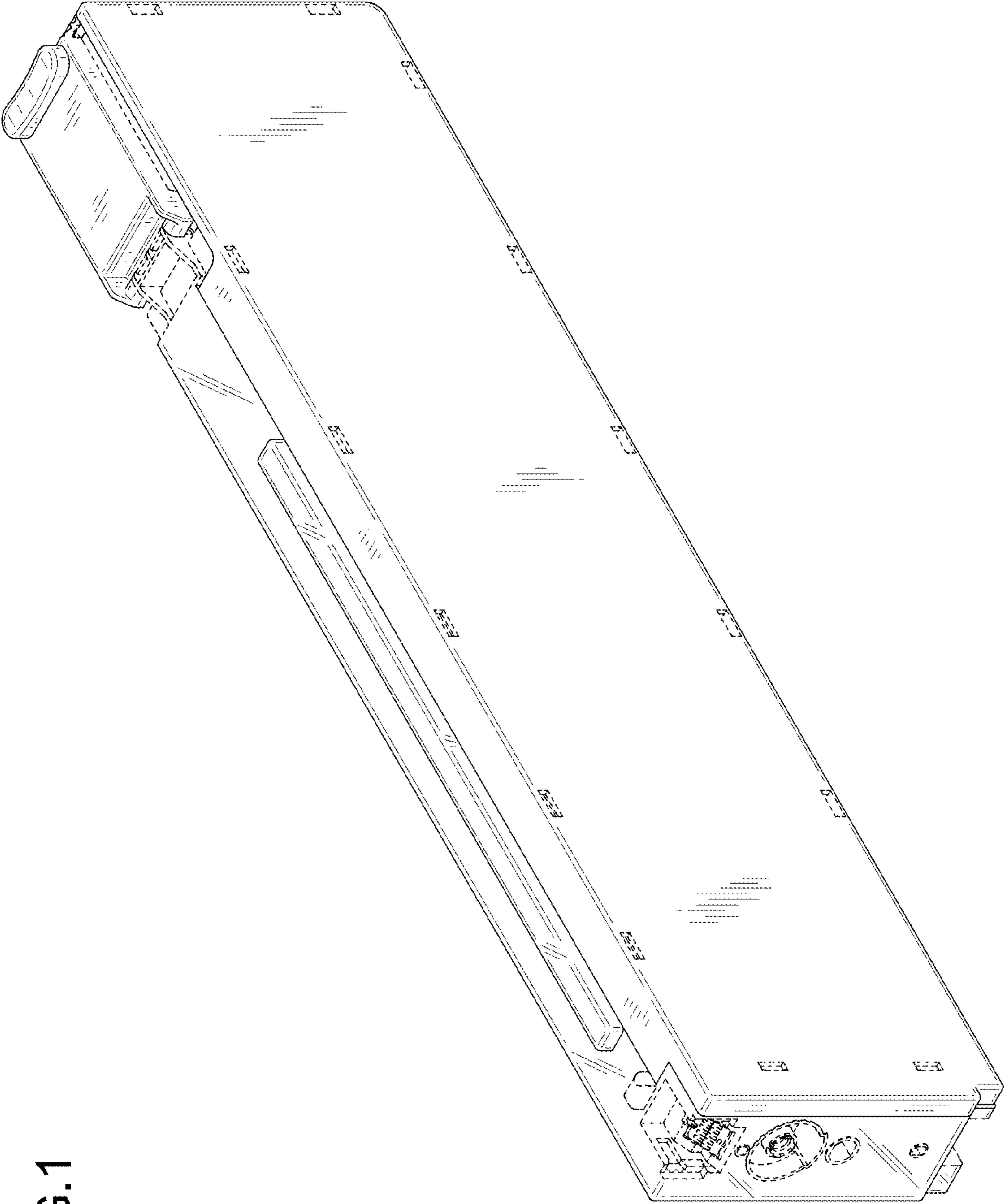


FIG. 1

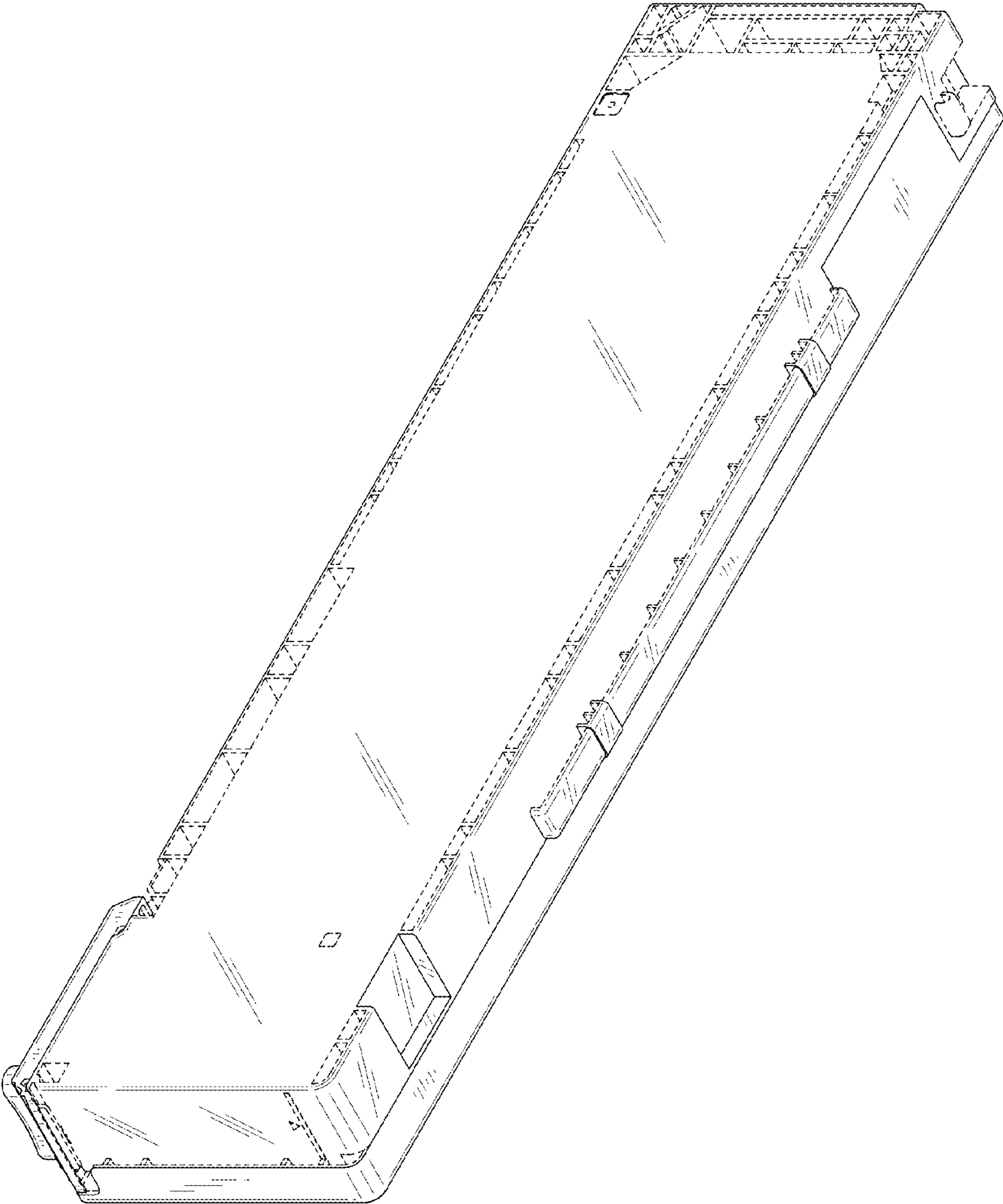


FIG.2

FIG.3

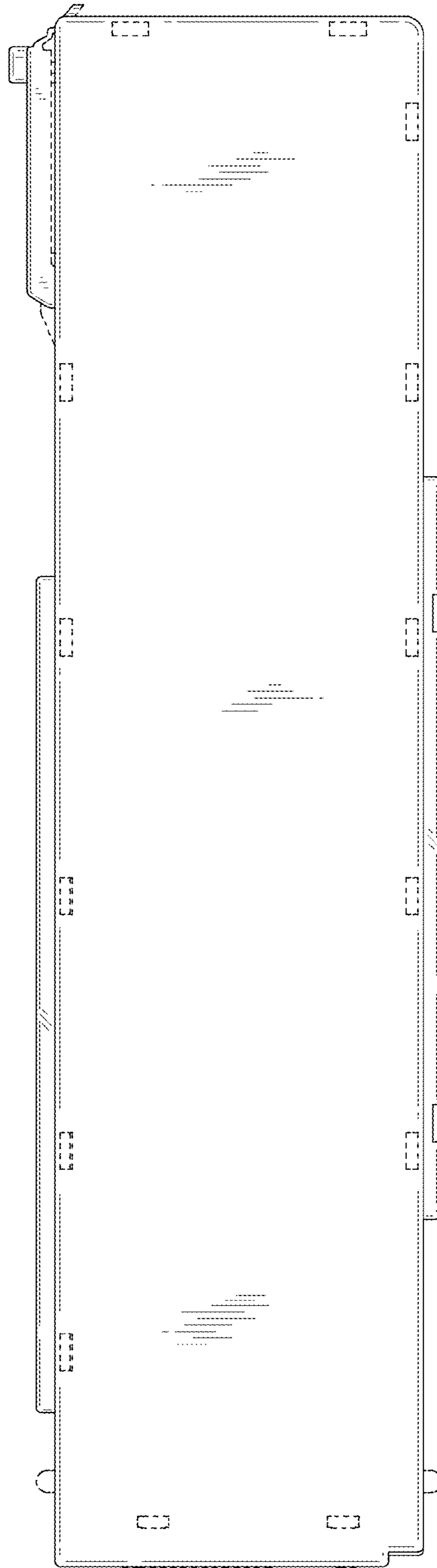


FIG.4

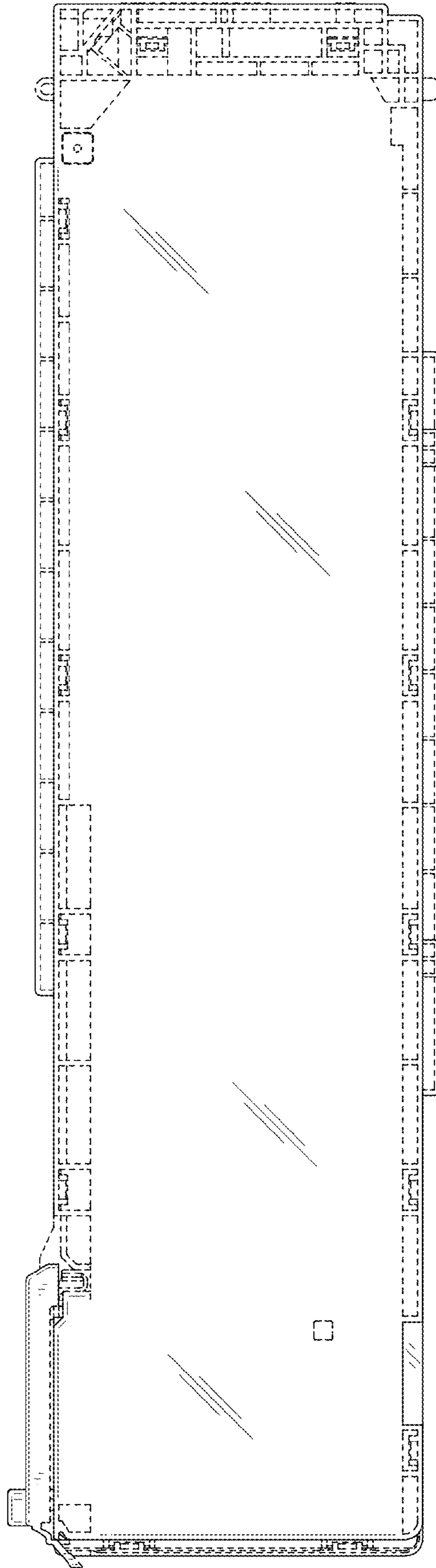


FIG.5

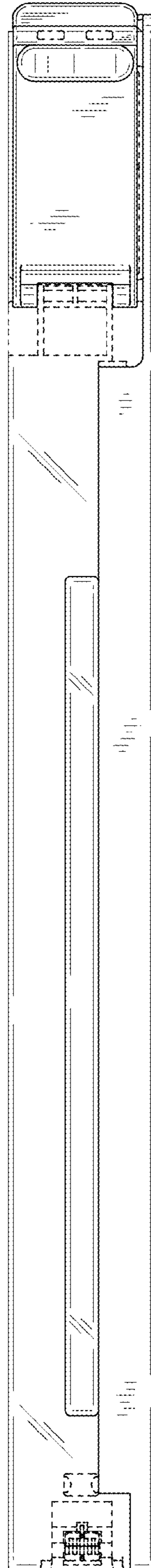
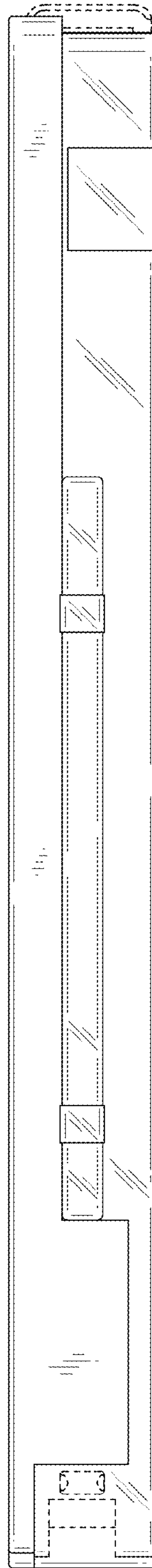


FIG.6





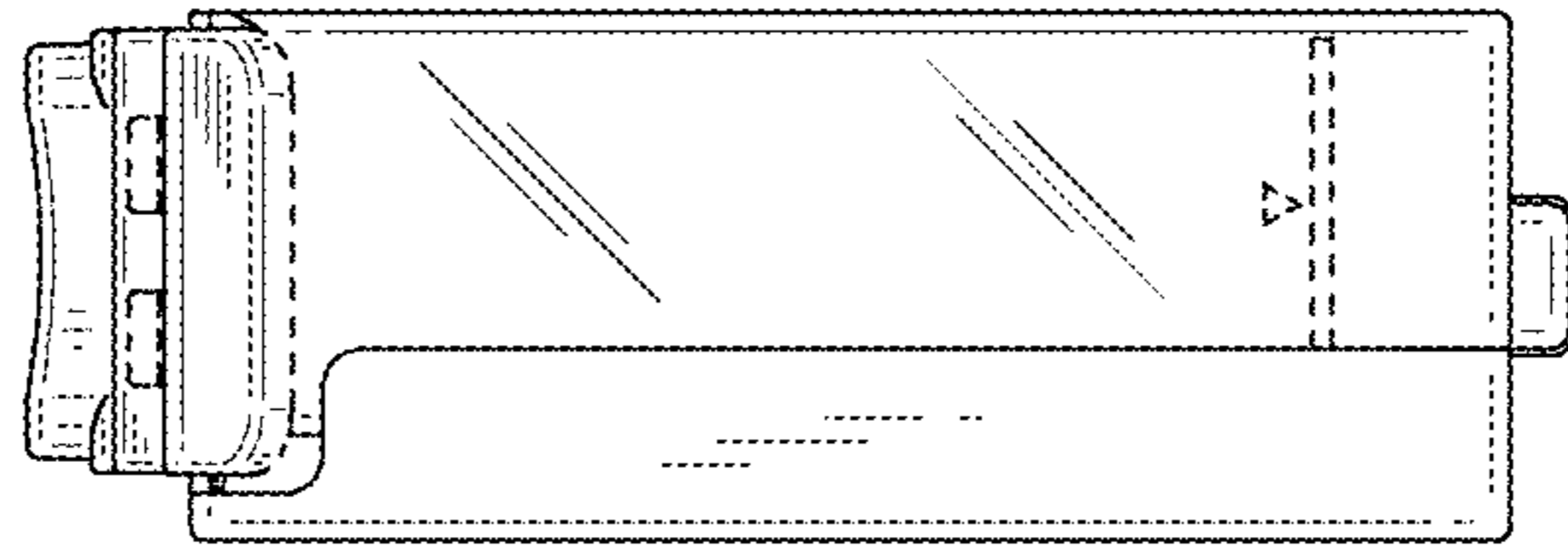


FIG.7

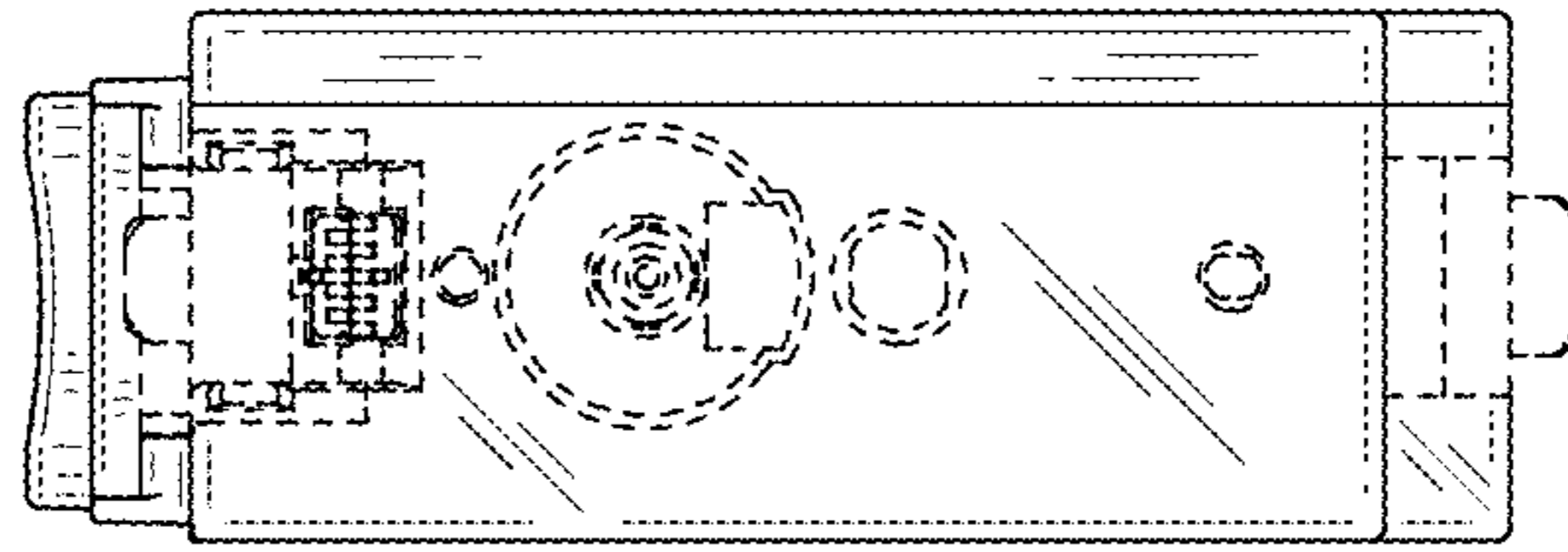


FIG.8