



US00D875172S

(12) **United States Design Patent** (10) **Patent No.:** **US D875,172 S**
Welch et al. (45) **Date of Patent:** **** Feb. 11, 2020**

(54) **DRUM HOOP BRACKET**
(71) Applicant: **Welch Tuning Systems, Inc.**,
Englewood, CO (US)
(72) Inventors: **Samuel Justin Welch**, Englewood, CO
(US); **Patrick B. Auell**, Morrison, CO
(US)
(73) Assignee: **WELCH TUNING SYSTEMS, INC.**,
Englewood, CO (US)
(**) Term: **15 Years**
(21) Appl. No.: **29/663,574**
(22) Filed: **Sep. 17, 2018**
(51) **LOC (12) Cl.** **17-99**
(52) **U.S. Cl.**
USPC **D17/99**
(58) **Field of Classification Search**
USPC D17/22, 99; D21/405, 406; D8/354
CPC G10D 13/00; G10D 13/003; G10D 13/023;
G10D 13/024; G10D 13/025; G10D
13/026
See application file for complete search history.

(56) **References Cited**

U.S. PATENT DOCUMENTS

422,742 A	3/1890	De Longe	
D216,049 S	11/1969	Dreyer	
D250,222 S	11/1978	Clark et al.	
D279,103 S	6/1985	Ayotte	
4,709,613 A	12/1987	Powers et al.	
5,684,258 A	11/1997	Liao	
D483,795 S	12/2003	Morgan et al.	
D506,918 S	7/2005	Nakajima	
7,888,575 B1	2/2011	Toscano	
7,943,840 B2 *	5/2011	Yoshino G10D 13/026 84/421
D674,002 S	1/2013	Ginter	
D703,261 S *	4/2014	Hudson D17/22
D765,766 S *	9/2016	Steinberger D17/99

D787,585 S	5/2017	Allen	
D817,386 S *	5/2018	Graham D17/99
D832,336 S	10/2018	Suzuki	
2010/0269669 A1	10/2010	O'Connor	
2015/0243268 A1	8/2015	Miyajima	
2016/0240175 A1	8/2016	Bedson	
2019/0088236 A1 *	3/2019	Welch G10D 13/023

OTHER PUBLICATIONS

Non-Final Office Action dated Aug. 16, 2019 for U.S. Appl. No. 16/120,866 in 7 pages.
International Search Report and Written Opinion from International Patent Application No. PCT/US2018/049350 dated Nov. 15, 2018 in 8 pages.

* cited by examiner

Primary Examiner — R. Johnson

(74) *Attorney, Agent, or Firm* — Stephen Katsaros

(57) **CLAIM**

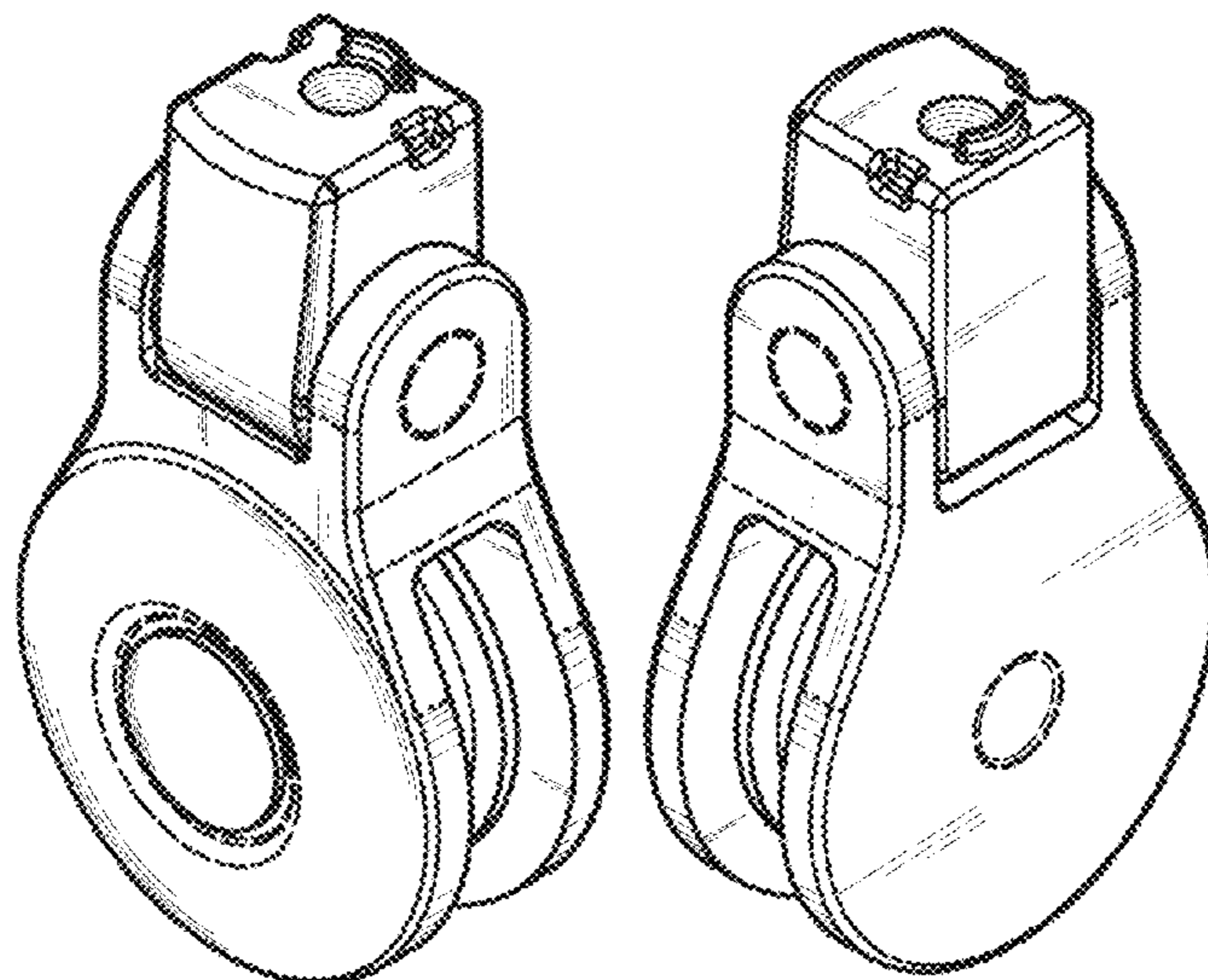
The ornamental design for a drum hoop bracket, as shown and described.

DESCRIPTION

FIG. 1 is a perspective top, right and front view of a drum hoop bracket showing our new design;
FIG. 2 is a perspective top, right and back view thereof;
FIG. 3 is a front view thereof;
FIG. 4 is a back view thereof;
FIG. 5 is a right view thereof; wherein the left view thereof would be the mirror image;
FIG. 6 is a top view thereof;
FIG. 7 is a bottom view thereof; and
FIG. 8 is a front view thereof; and,
FIG. 9 is a cross-sectional view taken along line 9-9 in FIG. 8.

The elements shown in broken lines are for illustrative purposes only and for no part of the claimed design.

1 Claim, 4 Drawing Sheets



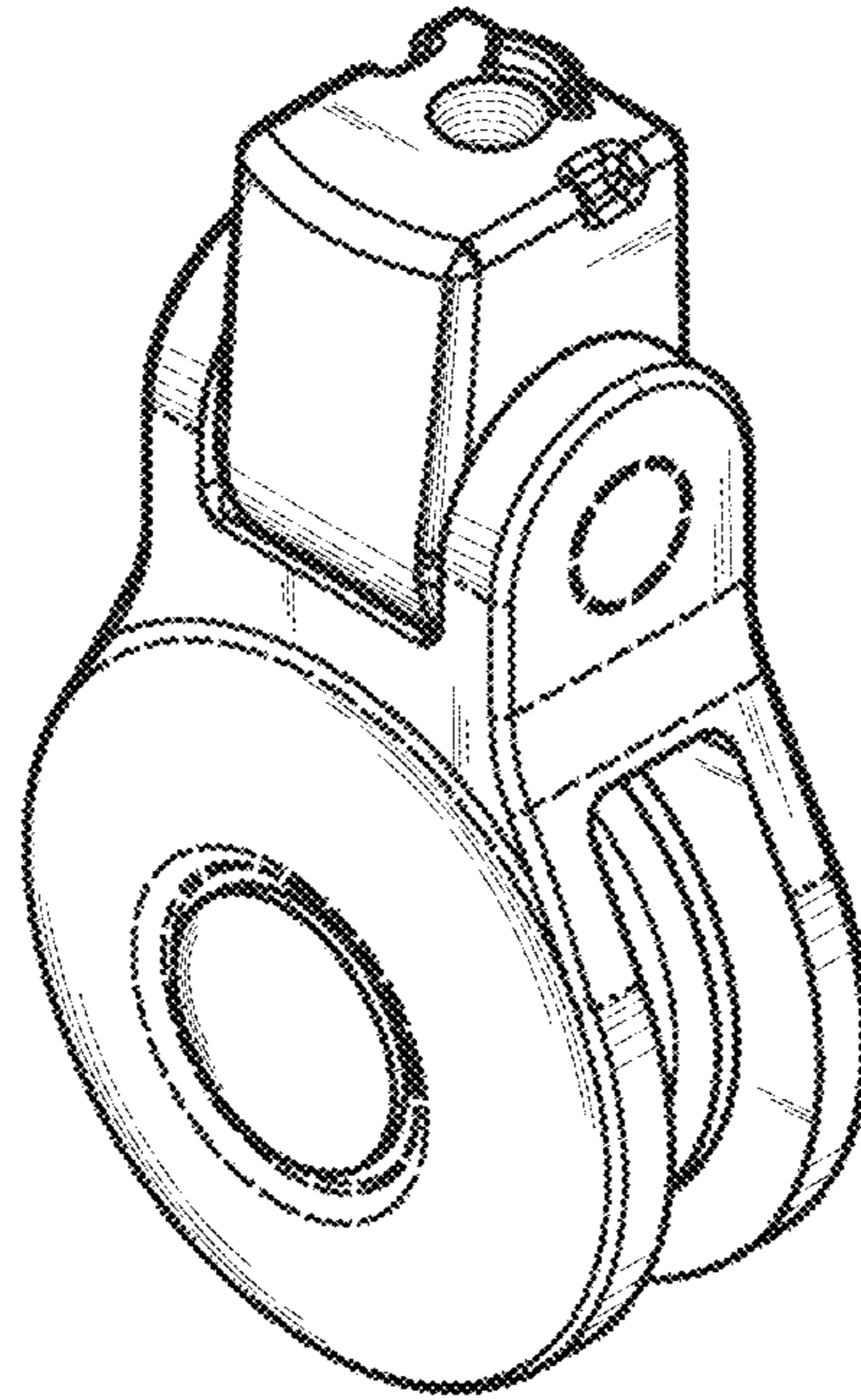


Fig. 1

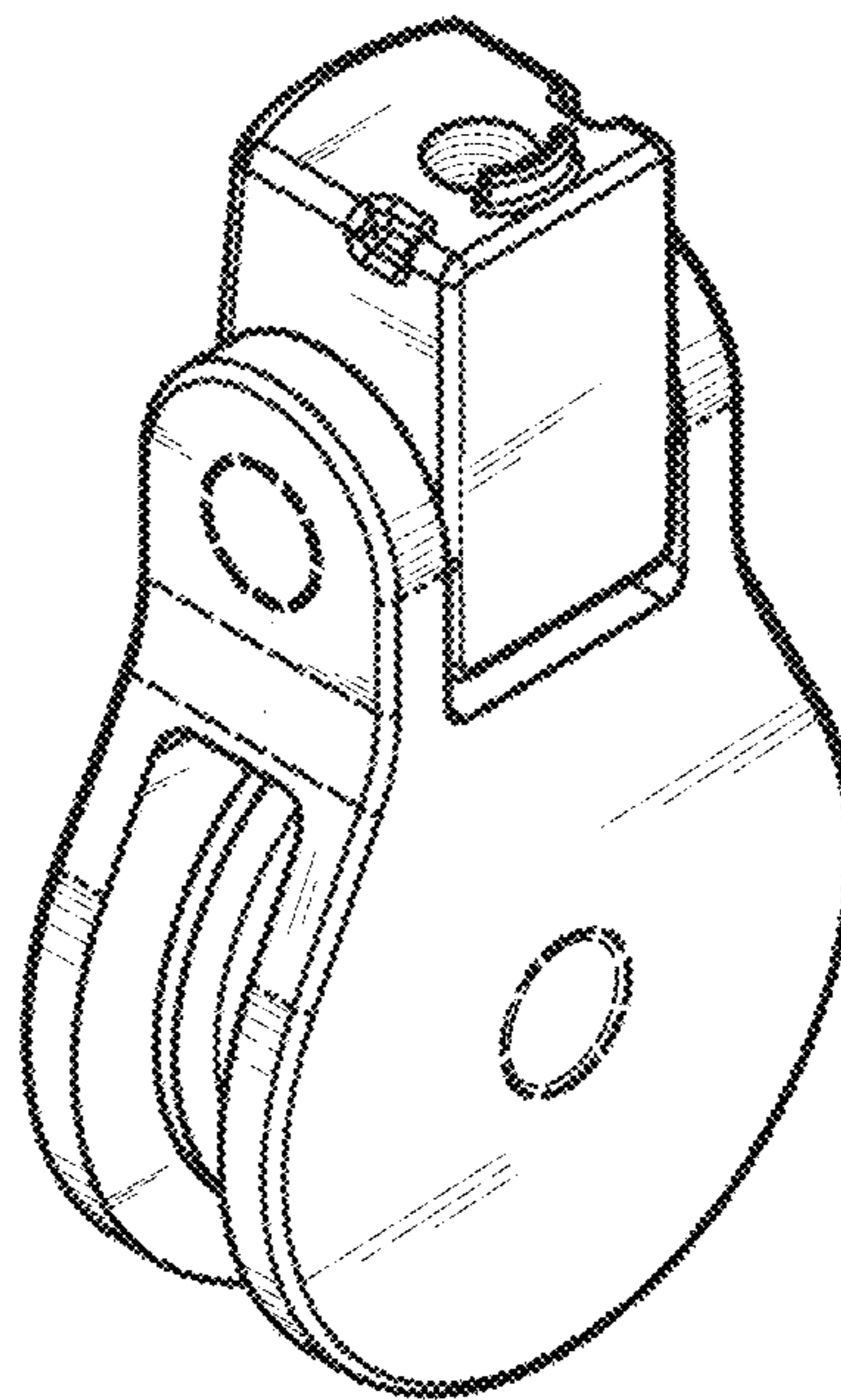


Fig. 2

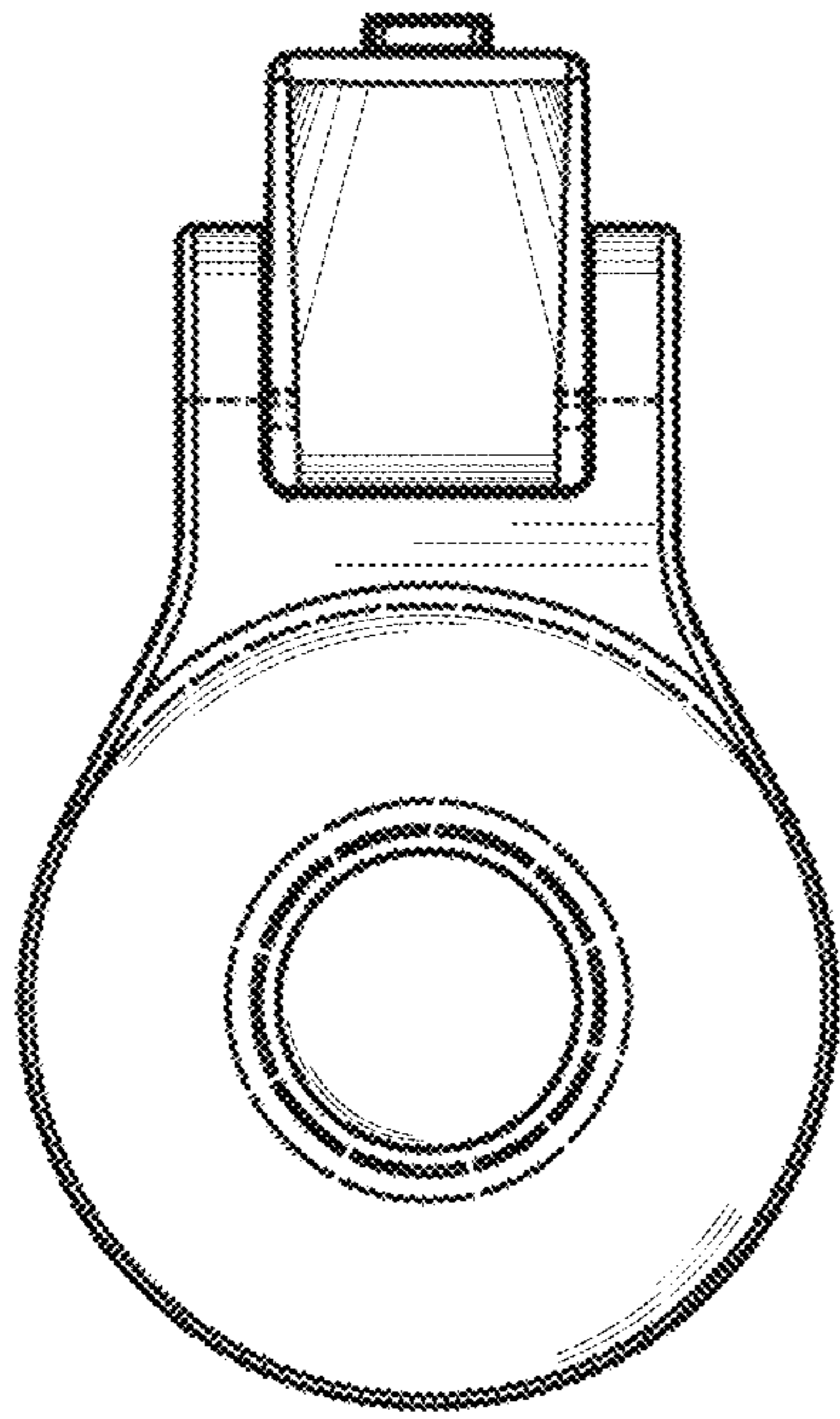


Fig. 3

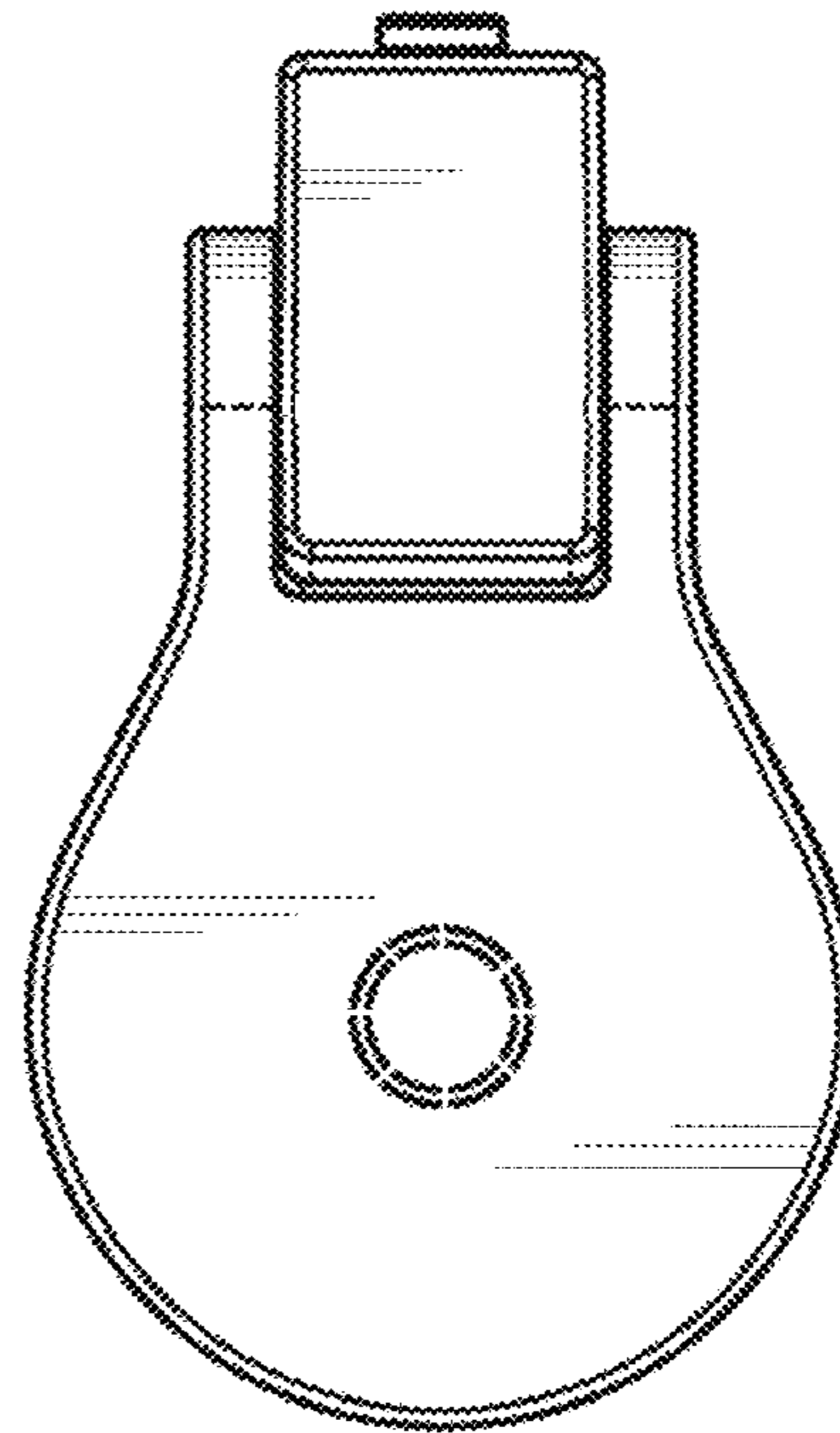


Fig. 4

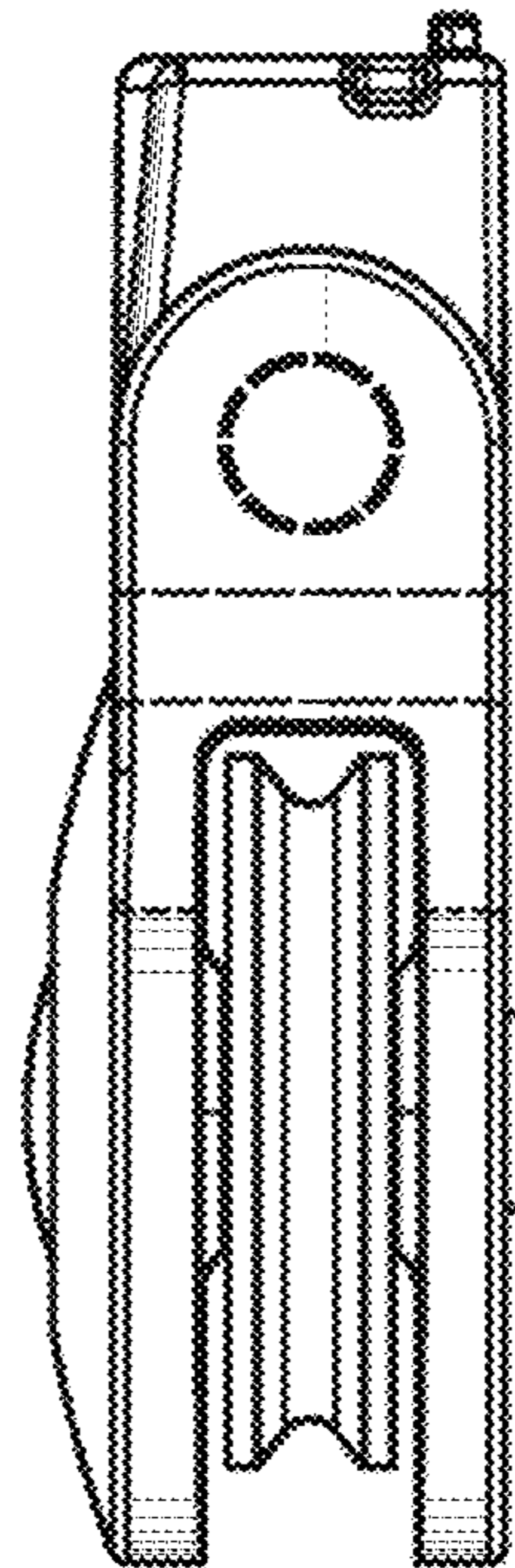


Fig. 5

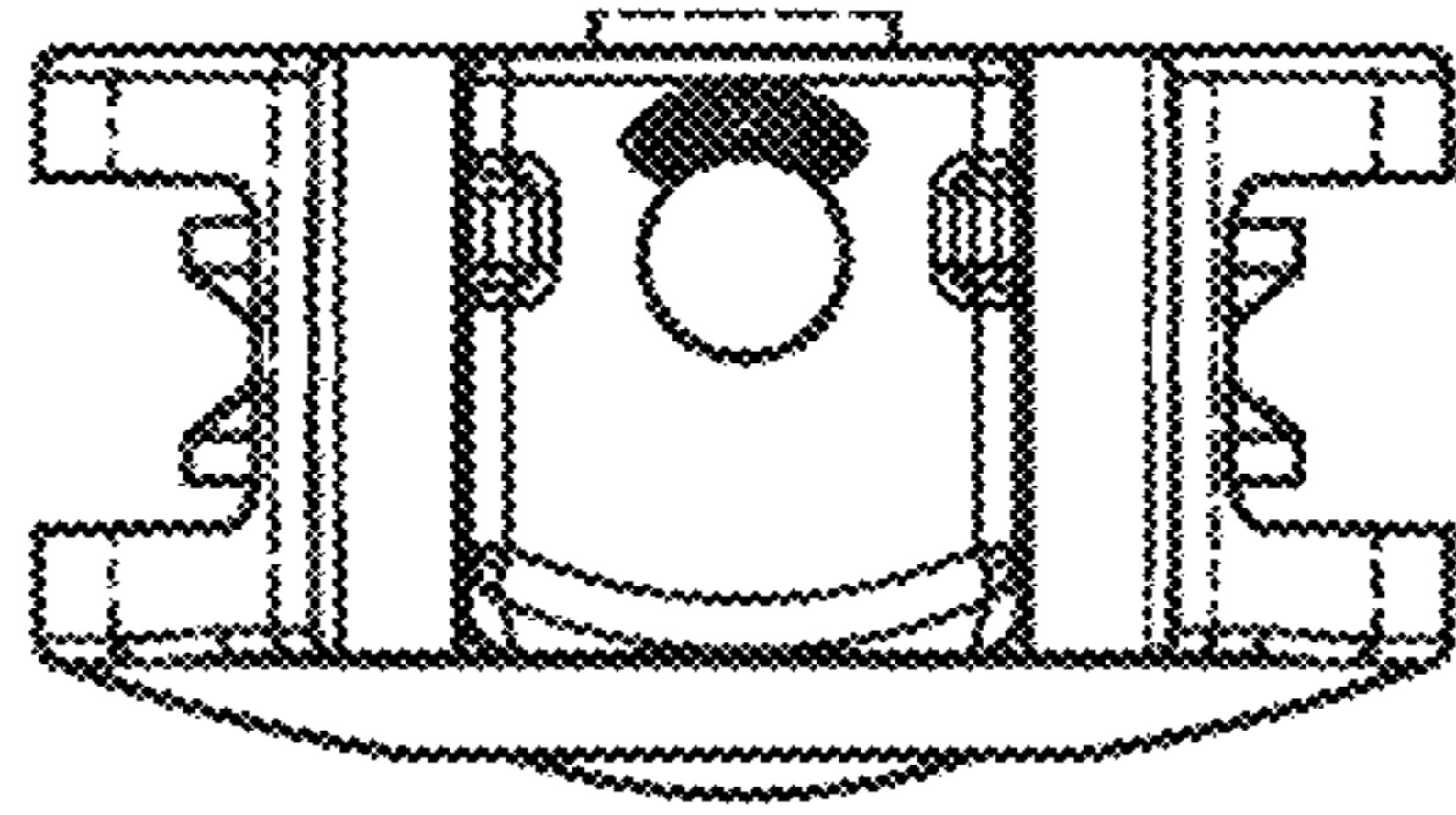


Fig. 6

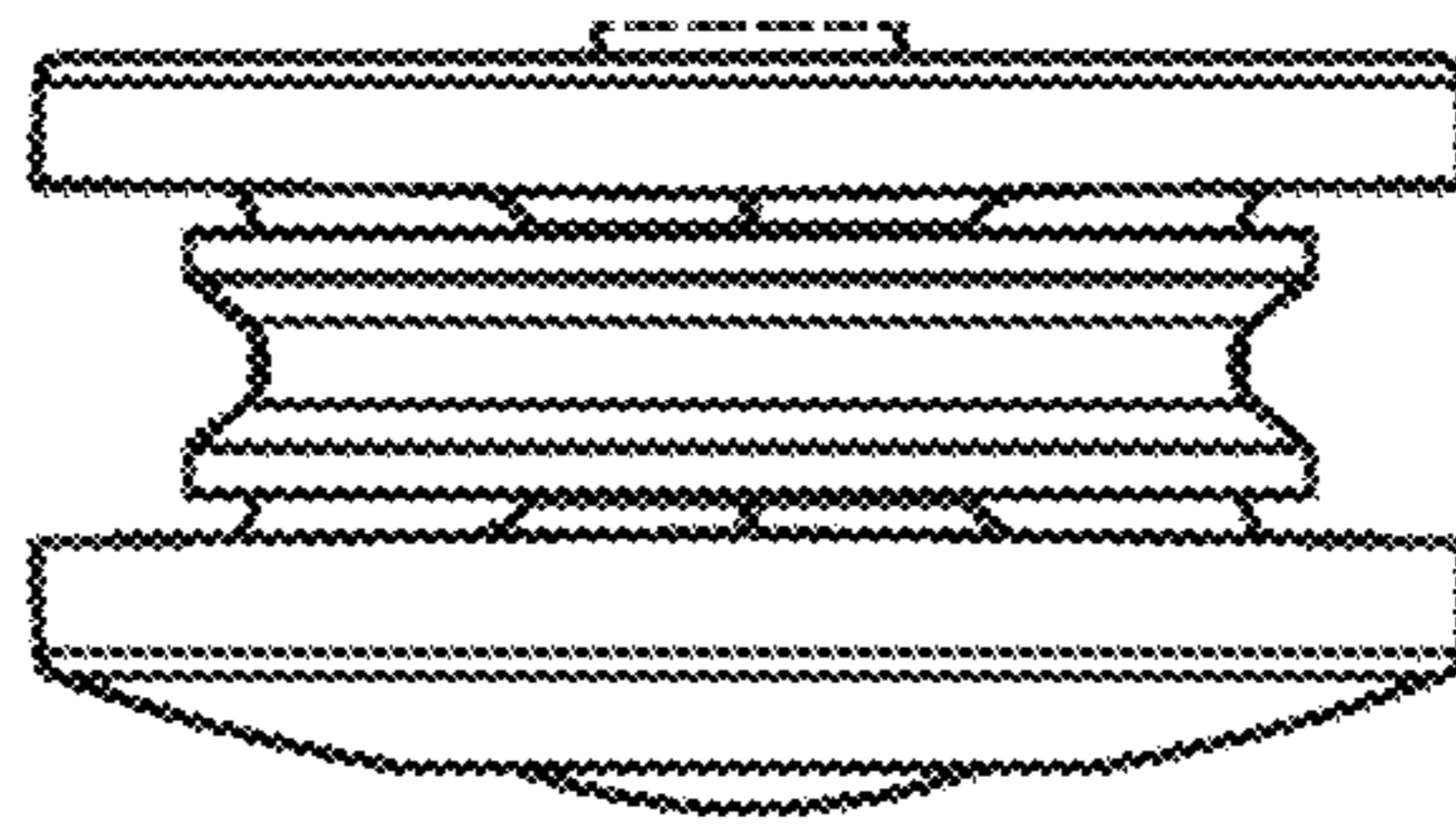


Fig. 7

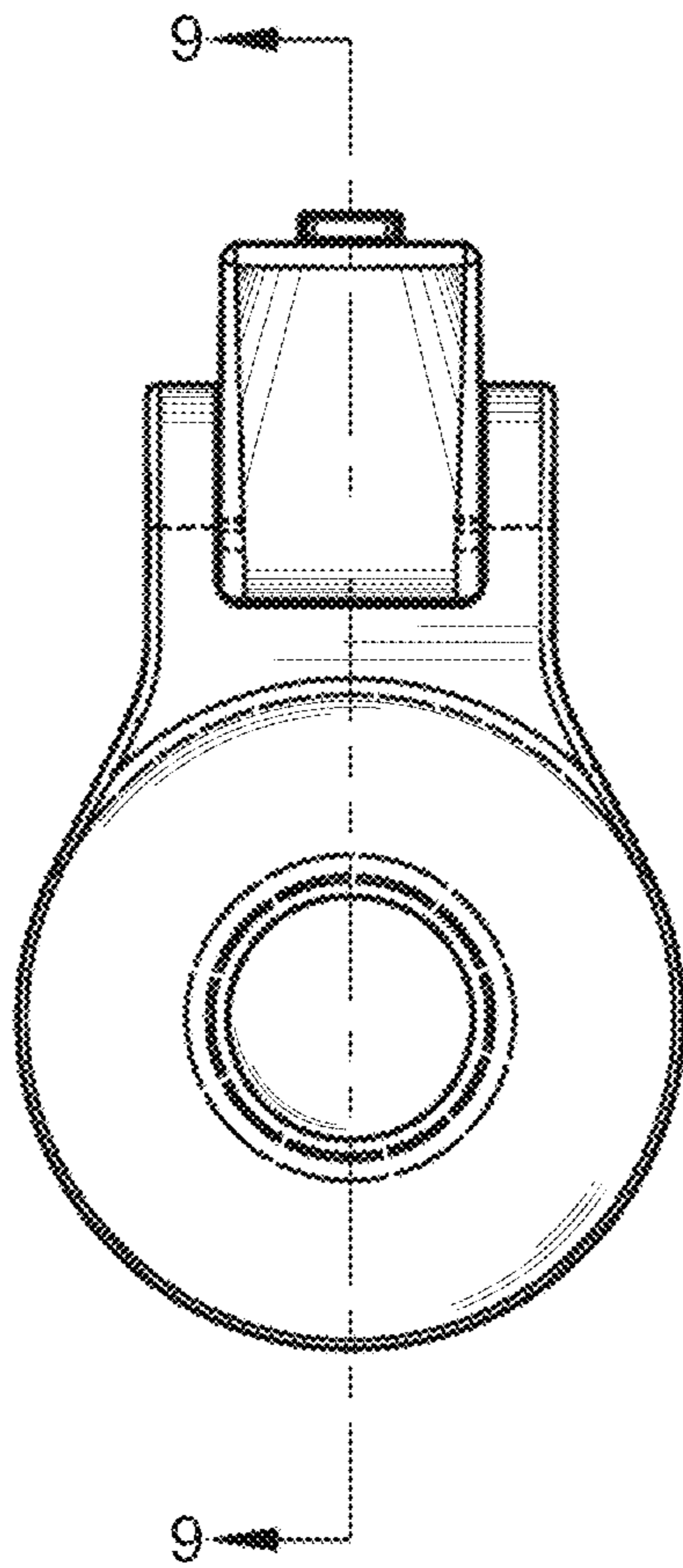


Fig. 8

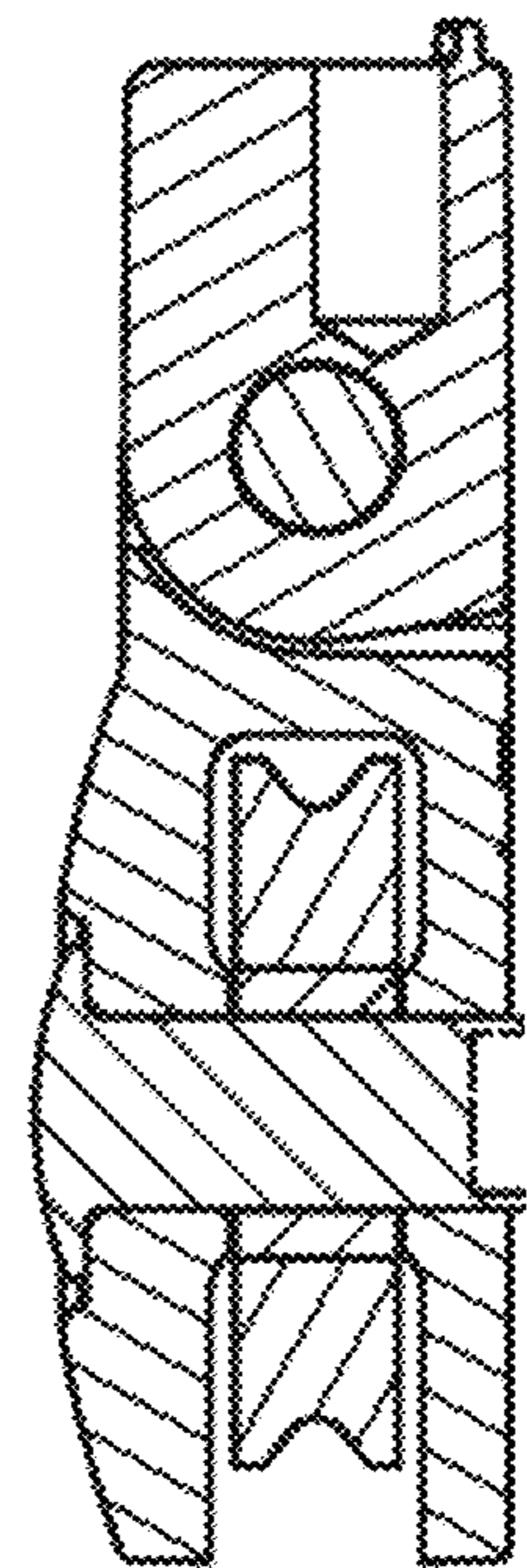


Fig. 9