



US00D875171S

(12) **United States Design Patent** (10) **Patent No.:** **US D875,171 S**
Welch et al. (45) **Date of Patent:** **** Feb. 11, 2020**

- (54) **DRUM CLAW**
- (71) Applicant: **Welch Tuning Systems, Inc.**,
Englewood, CO (US)
- (72) Inventors: **Samuel Justin Welch**, Englewood, CO
(US); **Patrick B. Auell**, Morrison, CO
(US)
- (73) Assignee: **WELCH TUNING SYSTEMS, INC.**,
Englewood, CO (US)
- (**) Term: **15 Years**
- (21) Appl. No.: **29/663,567**
- (22) Filed: **Sep. 17, 2018**
- (51) **LOC (12) Cl.** **17-99**
- (52) **U.S. Cl.**
USPC **D17/99**
- (58) **Field of Classification Search**
USPC D17/22, 99; D21/405, 406; D8/354
CPC G10D 13/00; G10D 13/003; G10D 13/023;
G10D 13/024; G10D 13/025; G10D
13/026
See application file for complete search history.

- (56) **References Cited**
- U.S. PATENT DOCUMENTS
- | | | | | | |
|---------------|---------|----------------|-------|-------------|----------|
| 422,742 A * | 3/1890 | De Longe | | G10D 13/023 | 84/411 R |
| D216,049 S | 11/1969 | Dreyer | | | |
| D250,222 S | 11/1978 | Clark et al. | | | |
| D279,103 S * | 6/1985 | Ayotte | | D17/22 | |
| 4,709,613 A | 12/1987 | Powers et al. | | | |
| 5,684,258 A * | 11/1997 | Liao | | G10D 13/00 | 224/910 |
| D483,795 S * | 12/2003 | Morgan | | D17/99 | |
| D506,918 S * | 7/2005 | Nakajima | | D8/354 | |
| 7,888,575 B1 | 2/2011 | Toscano | | | |
| 7,943,840 B2 | 5/2011 | Yoshino et al. | | | |
| D674,002 S * | 1/2013 | Ginter | | D17/22 | |
| D703,261 S | 4/2014 | Hudson | | | |

- | | | | |
|-----------------|---------|--------------|--------------|
| D765,766 S | 9/2016 | Steinberger | |
| D787,585 S * | 5/2017 | Allen | D17/22 |
| D817,386 S | 5/2018 | Graham | |
| D832,336 S * | 10/2018 | Suzuki | D17/22 |
| 2010/0269669 A1 | 10/2010 | O'Connor | |
| 2015/0243268 A1 | 8/2015 | Miyajima | |
| 2016/0240175 A1 | 8/2016 | Bedson | |
| 2019/0088236 A1 | 3/2019 | Welch et al. | |

OTHER PUBLICATIONS

Non-Final Office Action dated Aug. 16, 2019 for U.S. Appl. No. 16/120,866 in 7 pages.
 International Search Report and Written Opinion from International Patent Application No. PCT/US2018/049350 dated Nov. 15, 2018 in 8 pages.

* cited by examiner

Primary Examiner — R. Johnson

(74) Attorney, Agent, or Firm — Stephen Katsaros

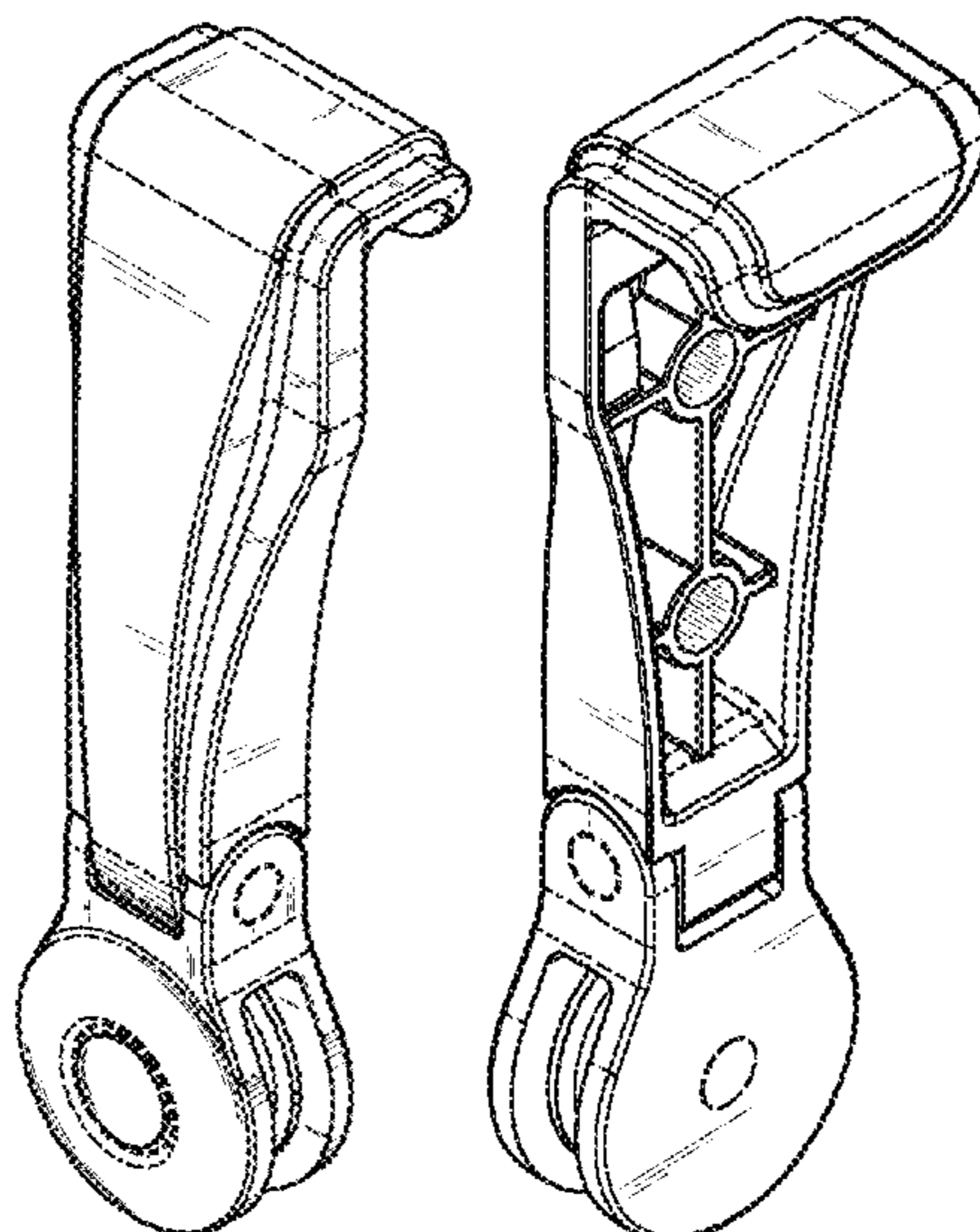
(57) **CLAIM**

The ornamental design for a drum claw, as shown and described.

DESCRIPTION

FIG. 1 is a perspective top, right and front view of a drum claw showing our new design;
 FIG. 2 is a perspective top, right and back view thereof;
 FIG. 3 is a front view thereof;
 FIG. 4 is a back view thereof;
 FIG. 5 is a right view thereof; wherein the left view thereof would be the mirror image;
 FIG. 6 is a top view thereof;
 FIG. 7 is a bottom view thereof; and
 FIG. 8 is a front view thereof; and,
 FIG. 9 is a cross-sectional view taken along line 9-9 in FIG. 8.
 The elements shown in broken lines are for illustrative purposes only and for no part of the claimed design.

1 Claim, 4 Drawing Sheets



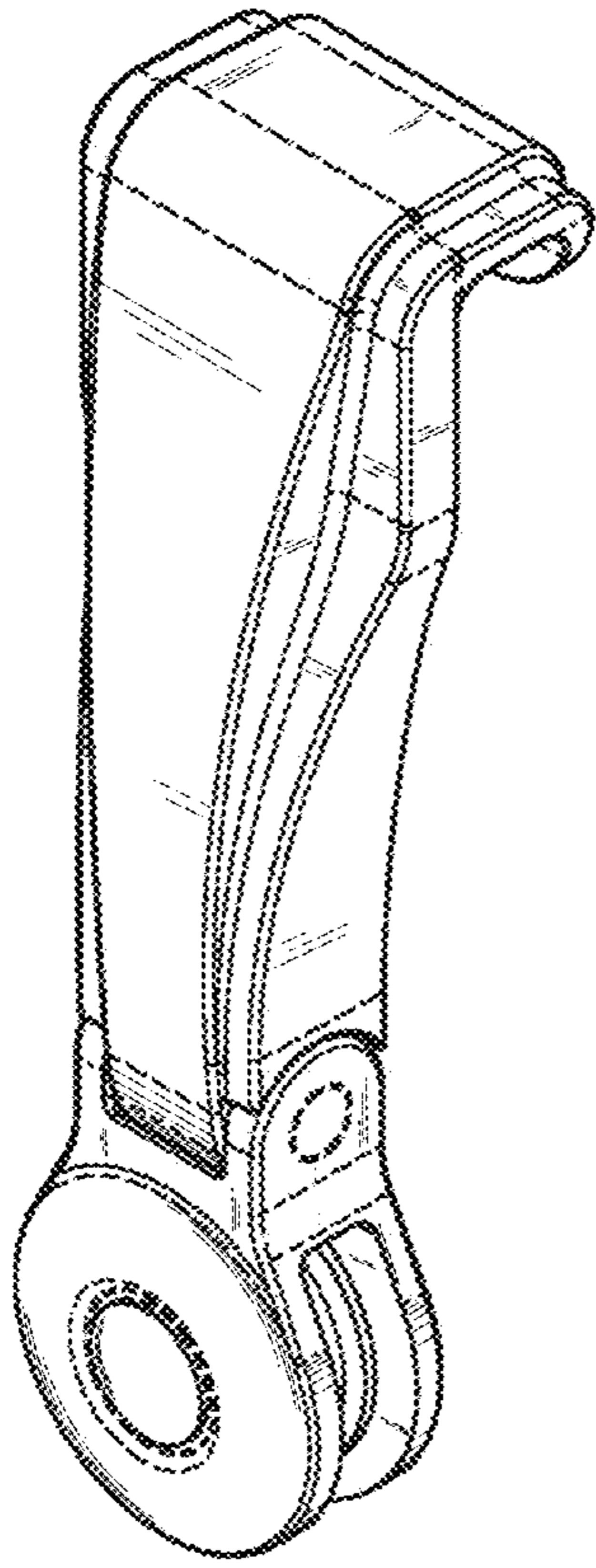


Fig. 1

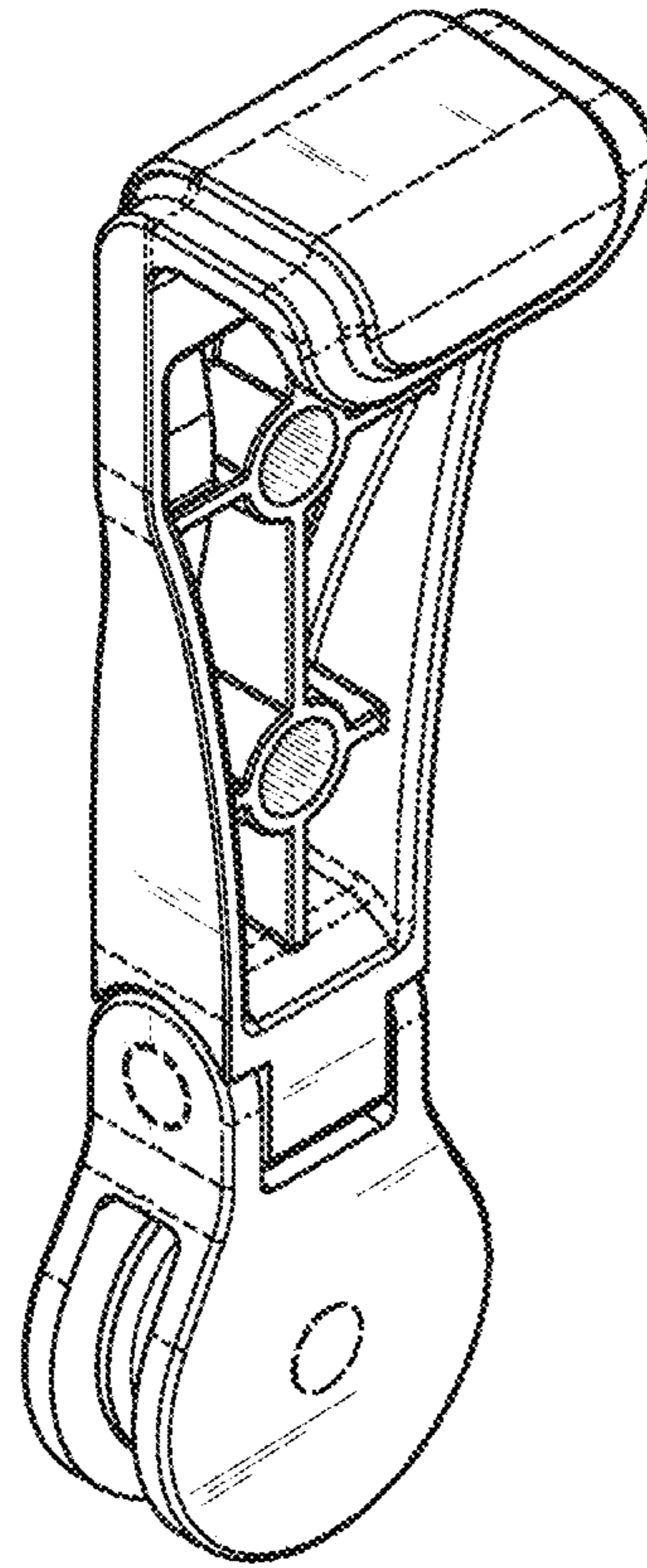


Fig. 2

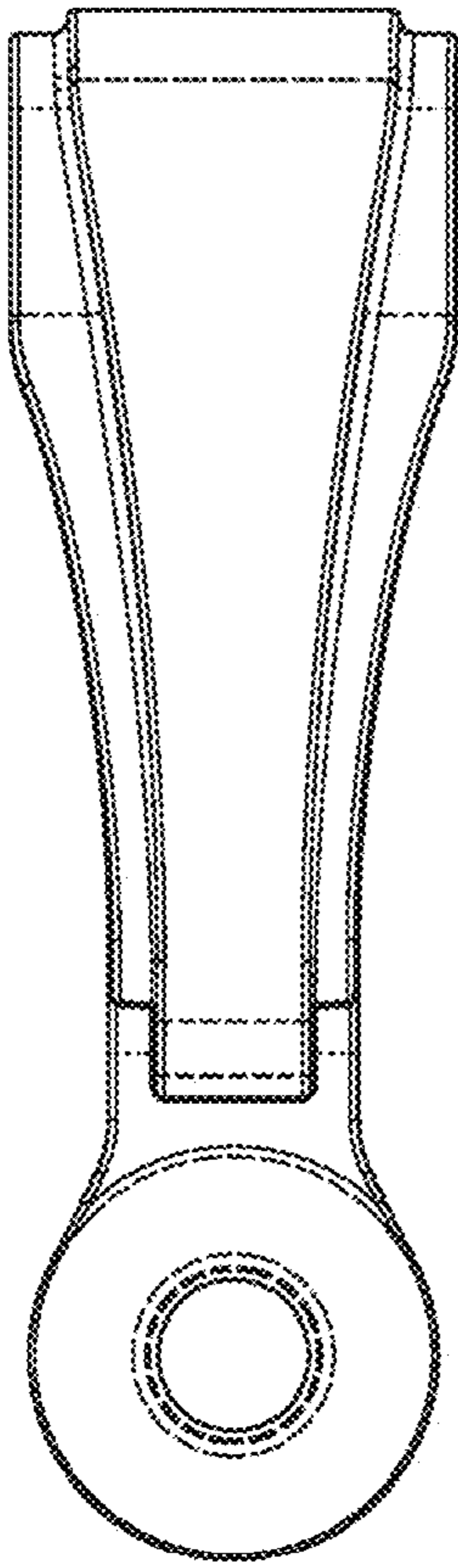


Fig. 3

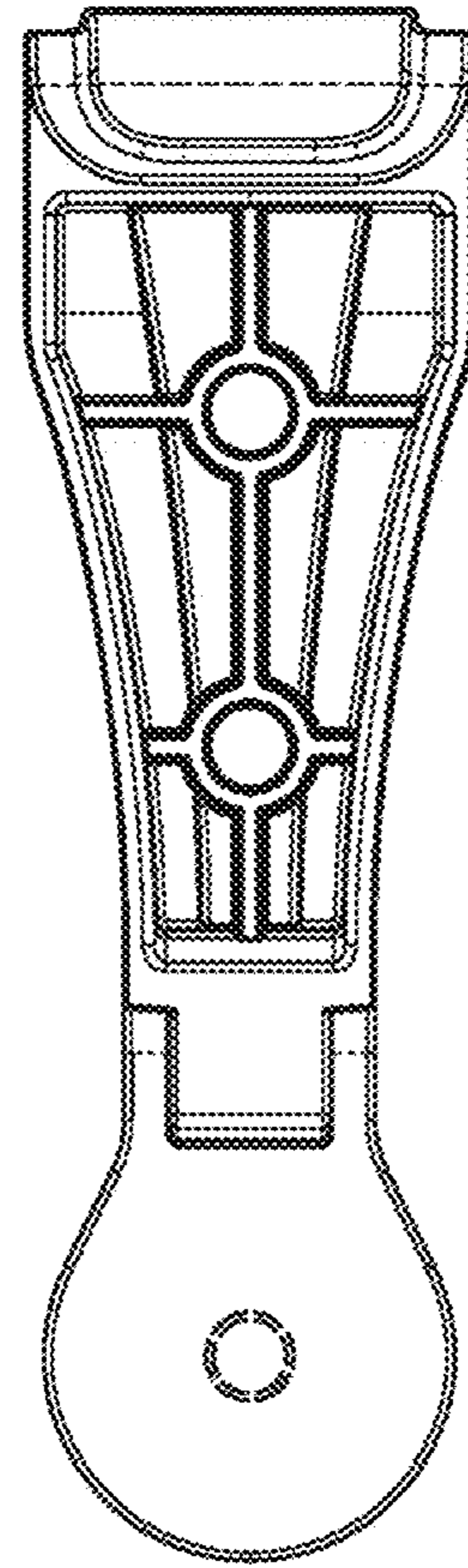


Fig. 4

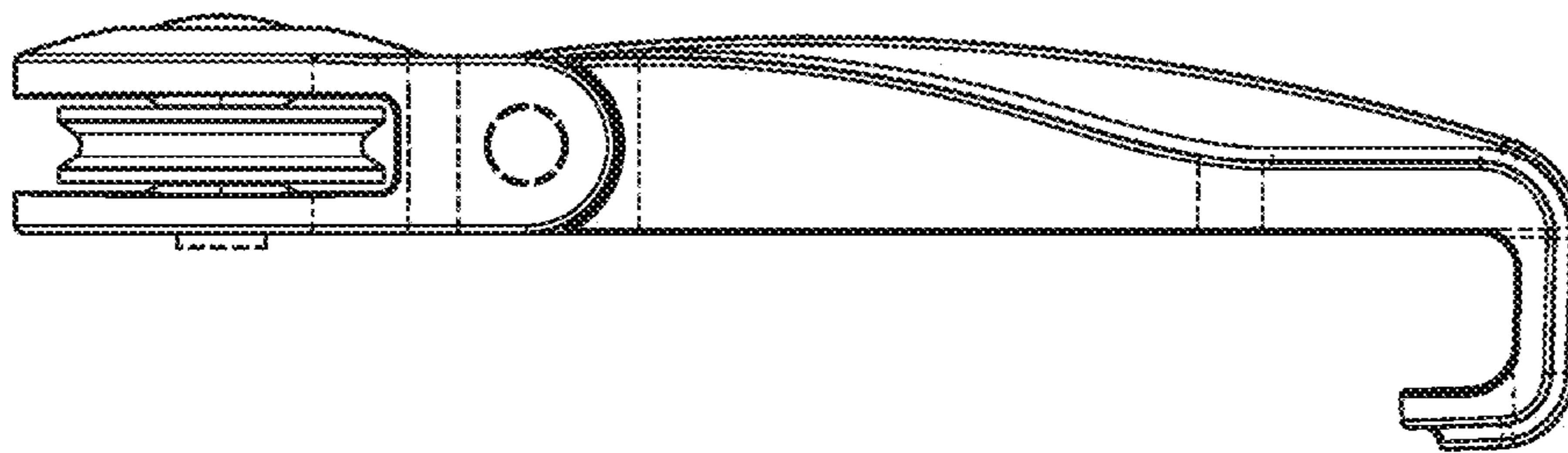


Fig. 5

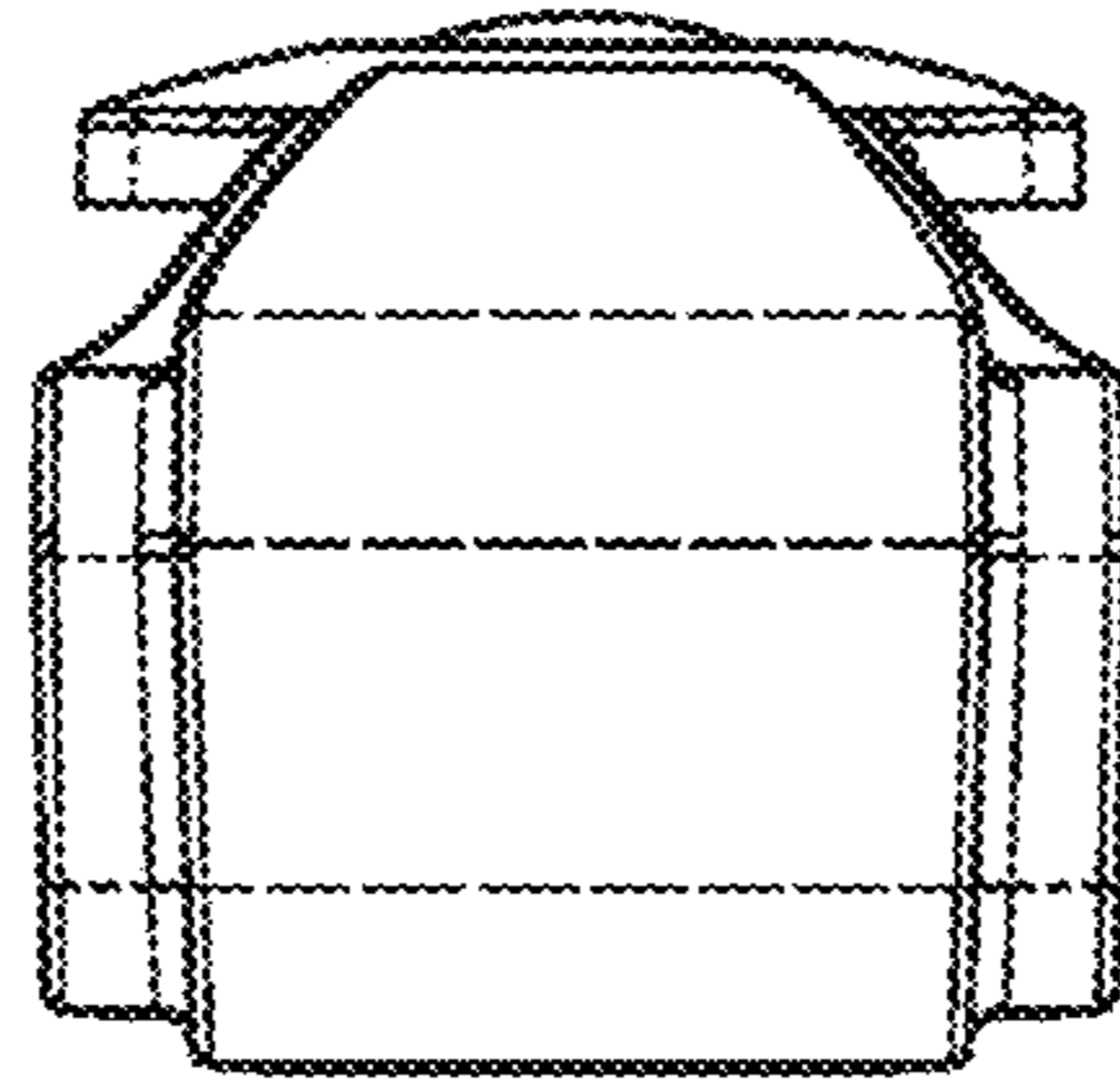


Fig. 6

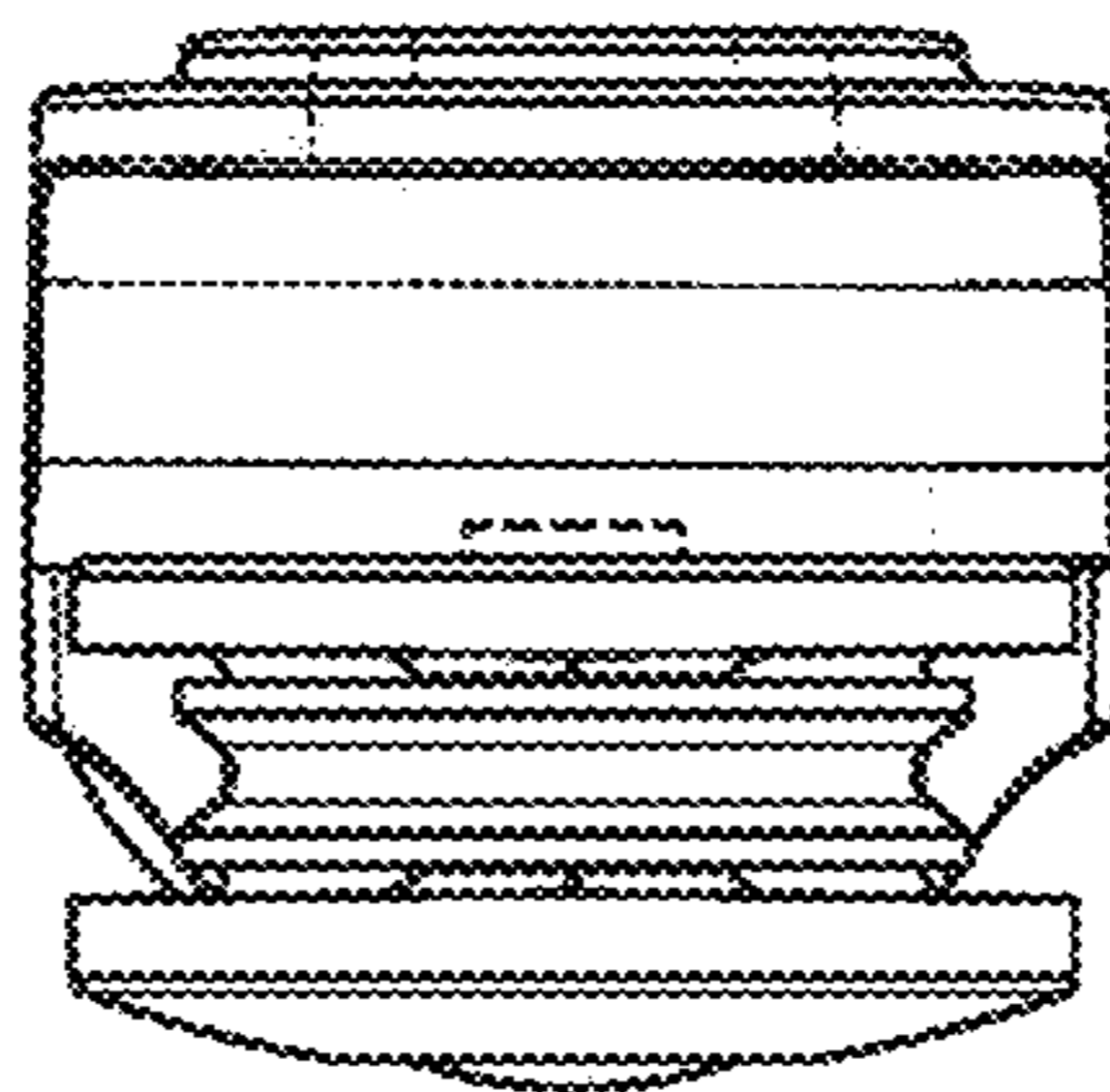


Fig. 7

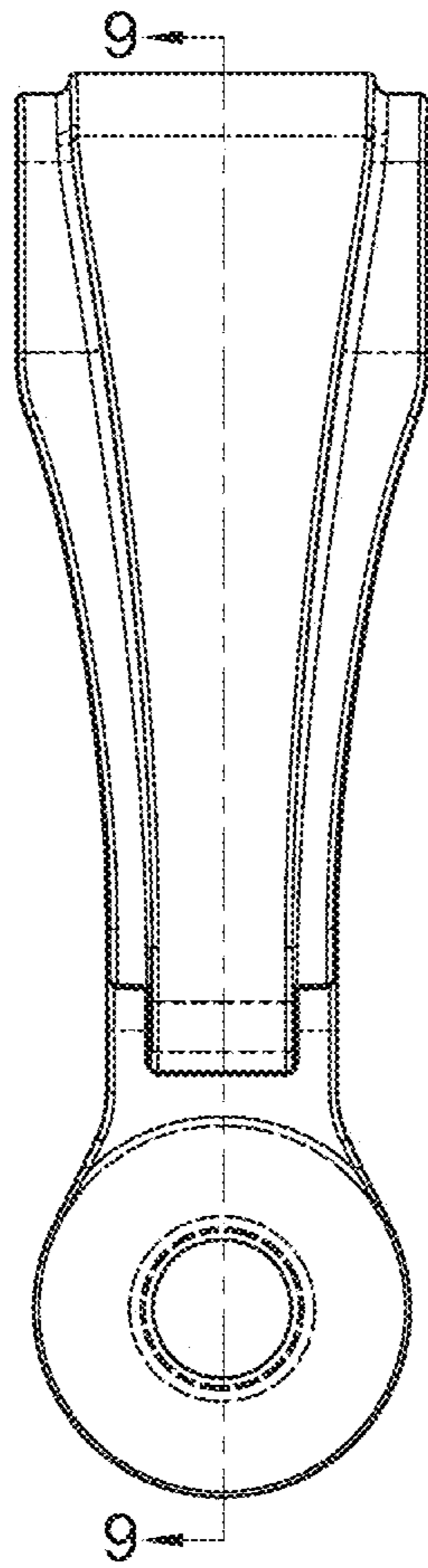


Fig. 8

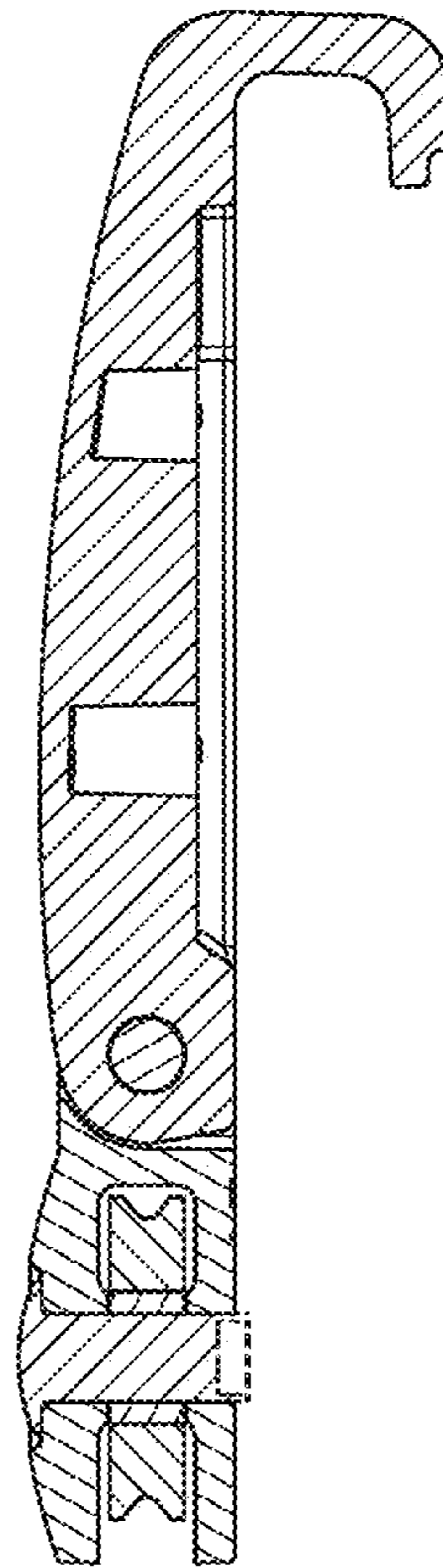


Fig. 9