



US00D875168S

(12) **United States Design Patent**
Kyte et al.

(10) **Patent No.:** **US D875,168 S**
(45) **Date of Patent:** **** Feb. 11, 2020**

(54) **CAMERA STAND**

DESCRIPTION

- (71) Applicant: **Centrica Connected Home Limited**, Windsor (GB)
- (72) Inventors: **Jessica Kyte**, Windsor (GB); **Yves Behar**, Windsor (GB); **William Stuart**, Windsor (GB)
- (73) Assignee: **Centrica Hive Limited**, Windsor (GB)
- (**) Term: **15 Years**
- (21) Appl. No.: **29/623,666**
- (22) Filed: **Oct. 26, 2017**
- (51) **LOC (12) Cl.** **16-05**
- (52) **U.S. Cl.**
USPC **D16/242**
- (58) **Field of Classification Search**
USPC D16/219, 237-250; D14/224, 229, 238, D14/251, 253, 447, 451, 457; D8/354, D8/355, 363, 373, 382, 383, 394-399
(Continued)

The application file contains at least one drawing executed in color. Copies of this patent or patent application publication with color drawing(s) will be provided by the Office upon request and payment of the necessary fee.

FIG. 1 is a perspective view of a camera stand in one embodiment of the ornamental design;
 FIG. 2 is a front view of the camera stand in FIG. 1;
 FIG. 3 is a left view of the camera stand in FIG. 1;
 FIG. 4 is a rear view of the camera stand in FIG. 1;
 FIG. 5 is a right view of the camera stand in FIG. 1;
 FIG. 6 is a top view of the camera stand in FIG. 1;
 FIG. 7 is a bottom view of the camera stand in FIG. 1;
 FIG. 8 is a perspective view of a camera stand in a second embodiment of the ornamental design, in which tonal variation is shown;
 FIG. 9 is a front view of the camera stand in FIG. 8;
 FIG. 10 is a left view of the camera stand in FIG. 8;
 FIG. 11 is a rear view of the camera stand in FIG. 8;
 FIG. 12 is a right view of the camera stand in FIG. 8;
 FIG. 13 is a bottom view of the camera stand in FIG. 8;
 FIG. 14 is a top view of the camera stand in FIG. 8;
 FIG. 15 is a perspective view of a camera stand in a third embodiment of the ornamental design, in which tonal variation is shown;
 FIG. 16 is a front view of the camera stand in FIG. 15;
 FIG. 17 is a left view of the camera stand in FIG. 15;
 FIG. 18 is a rear view of the camera stand in FIG. 15;
 FIG. 19 is a right view of the camera stand in FIG. 15;
 FIG. 20 is a bottom view of the camera stand in FIG. 15;
 FIG. 21 is a top view of the camera stand in FIG. 15;
 FIG. 22 is a perspective view of a camera stand in a fourth embodiment of the ornamental design, in which colour variation is shown;
 FIG. 23 is a front view of the camera stand in FIG. 22;
 FIG. 24 is a left view of the camera stand in FIG. 22;
 FIG. 25 is a rear view of the camera stand in FIG. 22;
 FIG. 26 is a right view of the camera stand in FIG. 22;
 FIG. 27 is a bottom view of the camera stand in FIG. 22;
 FIG. 28 is a top view of the camera stand in FIG. 22;
 FIG. 29 is a perspective view of a camera stand in a fifth embodiment of the ornamental design, in which colour variation is shown;

(Continued)

(56) **References Cited**

U.S. PATENT DOCUMENTS

- D588,602 S * 3/2009 Chao D14/451
 - D627,624 S * 11/2010 Brassard D8/363
- (Continued)

OTHER PUBLICATIONS

Make the Smart Home even smarter with Hive View Centrica plc. [online] Published Jan. 4, 2018. Retrieved Oct. 29, 2018 from URL: <https://www.centrica.com/news/make-smart-home-even-smarter-hive-view>.*

Primary Examiner — Vy N Koenig

(57) **CLAIM**

The ornamental design for a camera stand, as shown and described.

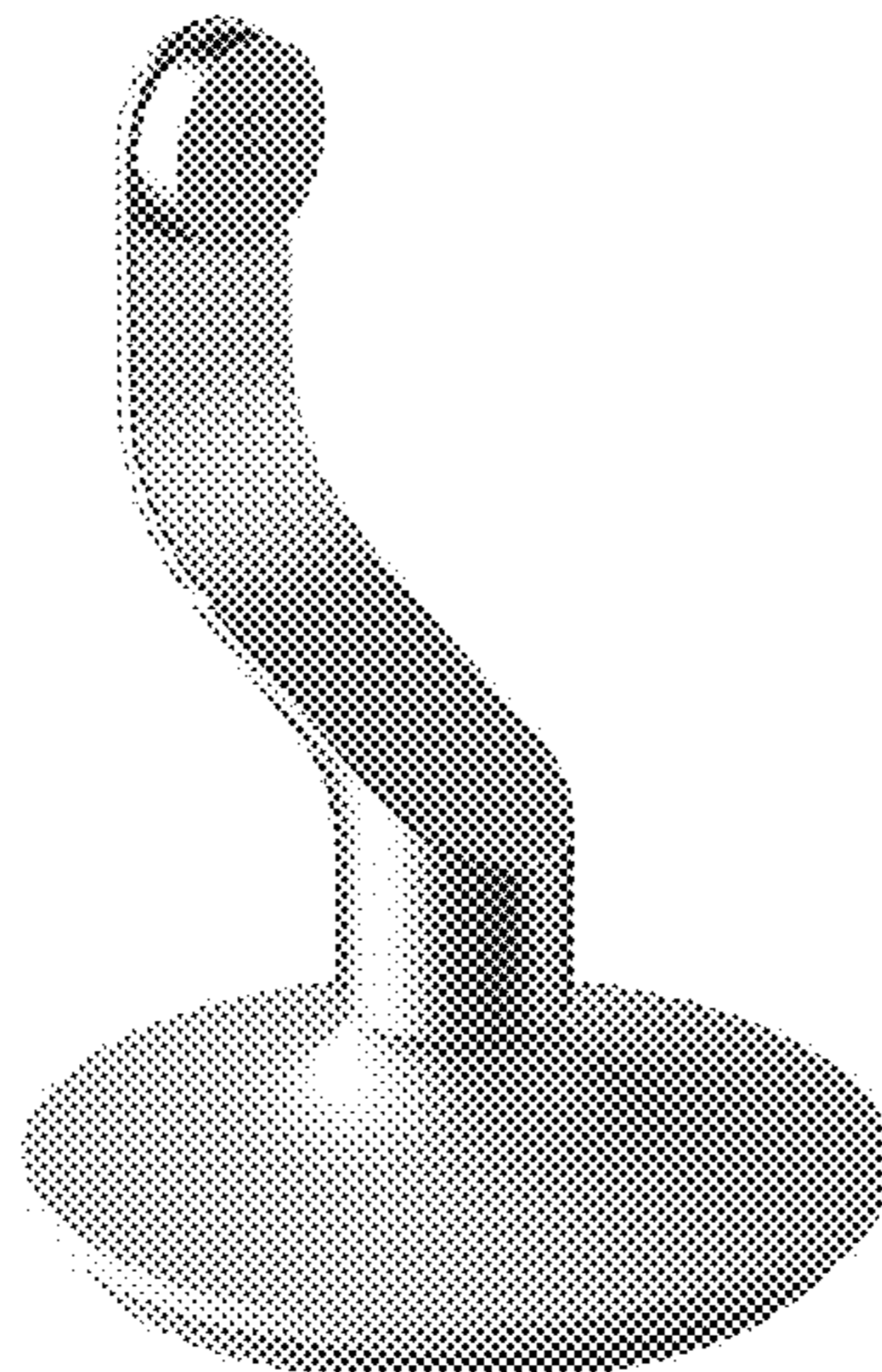


FIG. 30 is a front view of the camera stand in FIG. 29;
 FIG. 31 is a left view of the camera stand in FIG. 29;
 FIG. 32 is a rear view of the camera stand in FIG. 29;
 FIG. 33 is a right view of the camera stand in FIG. 29;
 FIG. 34 is a bottom view of the camera stand in FIG. 29;
 and,
 FIG. 35 is a top view of the camera stand in FIG. 29.
 The broken lines in the drawings depict portions of the
 camera stand that form no part of the claimed design.

1 Claim, 35 Drawing Sheets
(28 of 35 Drawing Sheet(s) Filed in Color)

(58) **Field of Classification Search**

CPC .. A45F 5/00; A45F 5/10; F16M 11/06; F16M
 11/07; F16M 11/08; F16M 11/09; F16M
 11/10; G02B 7/00-002; G03B 17/56;
 G03B 17/561; G03B 17/563; G03B
 17/565; G03B 17/566; G03B 17/568;
 H04N 5/2253-2254

See application file for complete search history.

(56)

References Cited

U.S. PATENT DOCUMENTS

D681,647	S *	5/2013	Choi	D14/451
D733,156	S *	6/2015	Choi	D14/447
D733,160	S *	6/2015	Lee	D14/451
9,282,225	B2 *	3/2016	Chen	H04N 5/2251
D755,880	S *	5/2016	Luo	D16/214
D758,375	S *	6/2016	Won	D14/451
D762,650	S *	8/2016	Dang	D14/434
D775,684	S *	1/2017	Jacob	H04N 5/2251 D16/242
D785,693	S *	5/2017	Kim	D16/202
D788,080	S *	5/2017	Turksu	D14/224
D816,656	S *	5/2018	Kim	D14/253
D825,546	S *	8/2018	Fan	D14/253
2004/0011932	A1 *	1/2004	Duff	F16M 11/10 248/157
2015/0140935	A1 *	5/2015	Wong	H04M 1/04 455/41.3

* cited by examiner

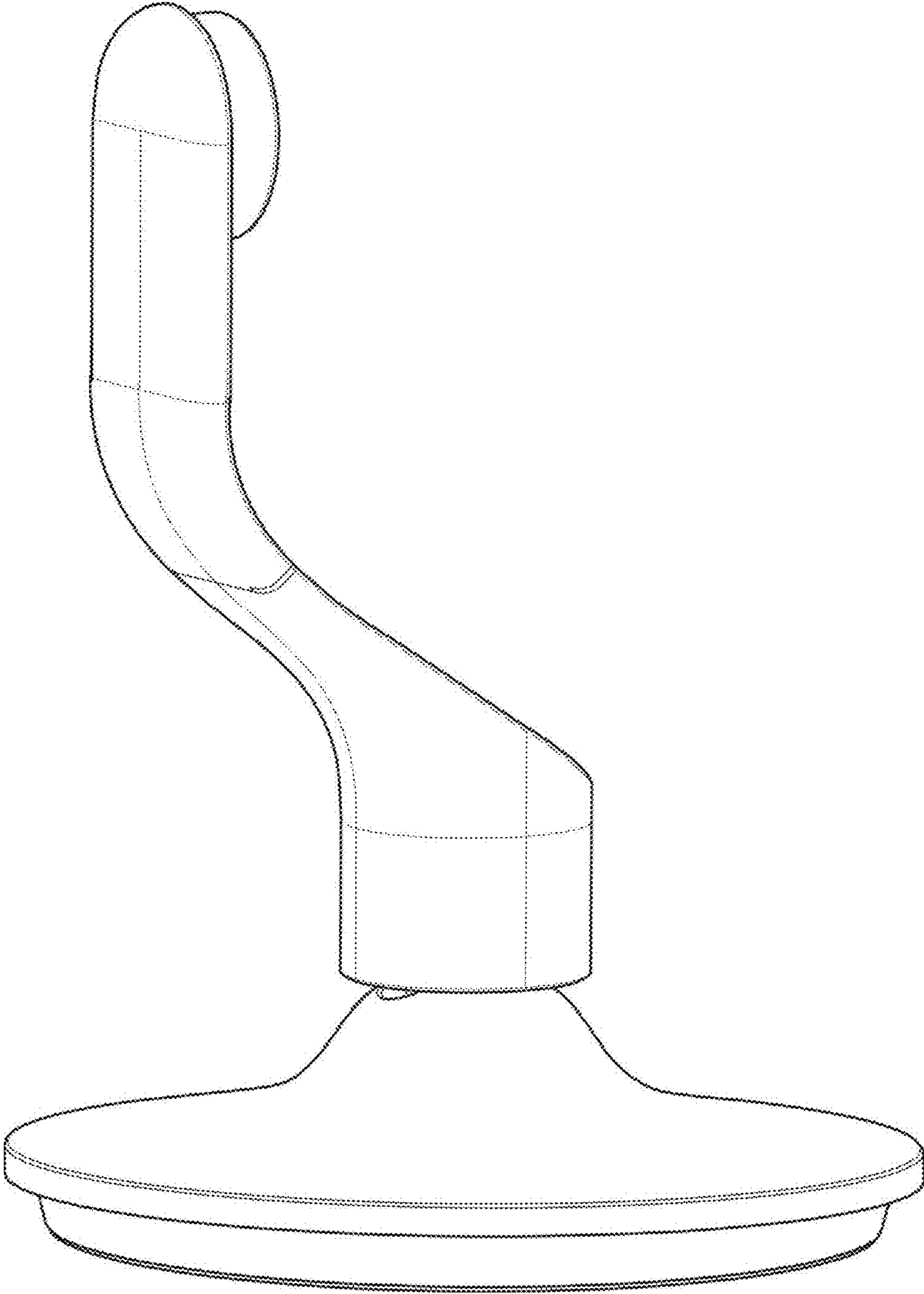


FIG. 1

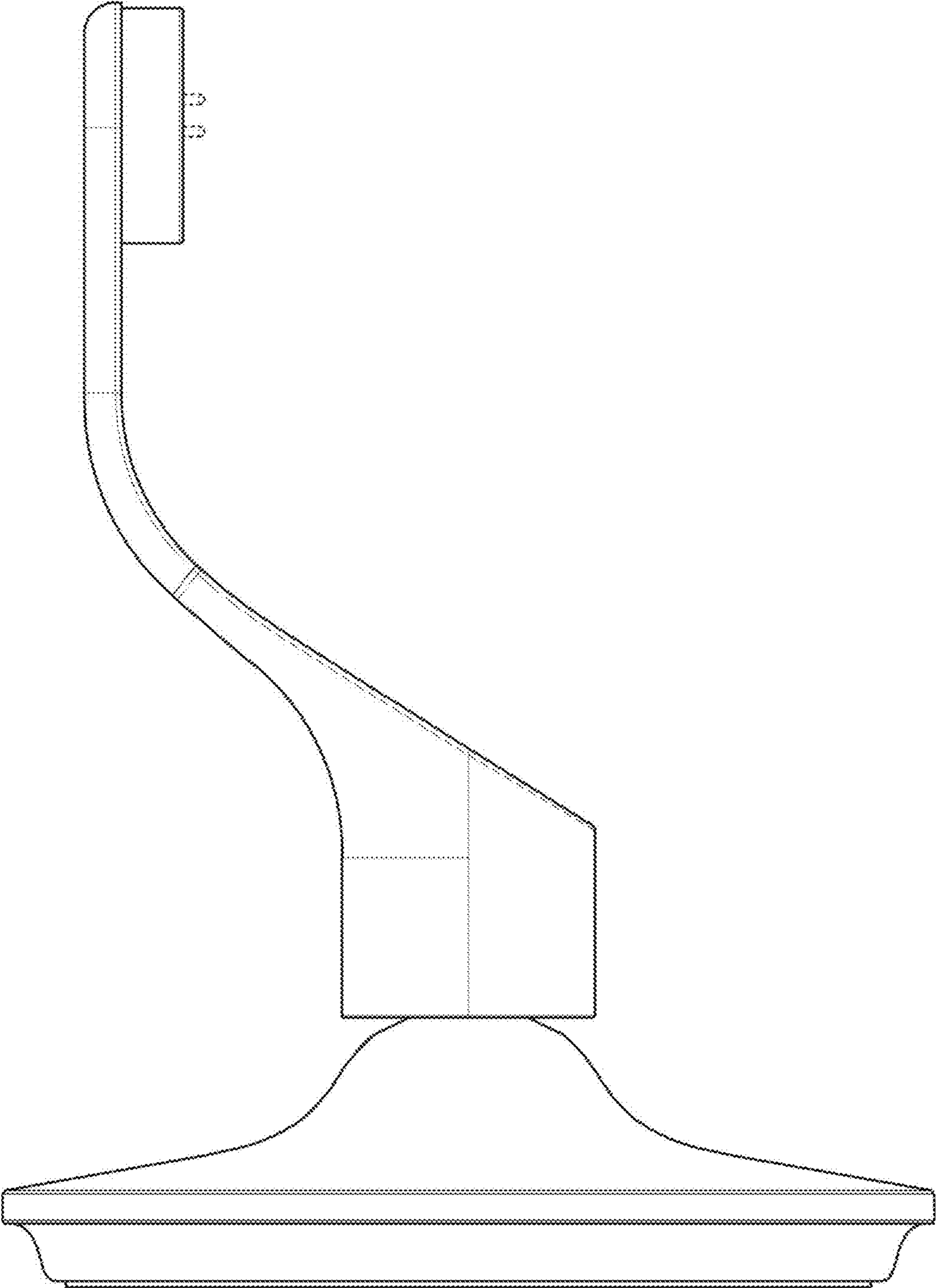


FIG. 2

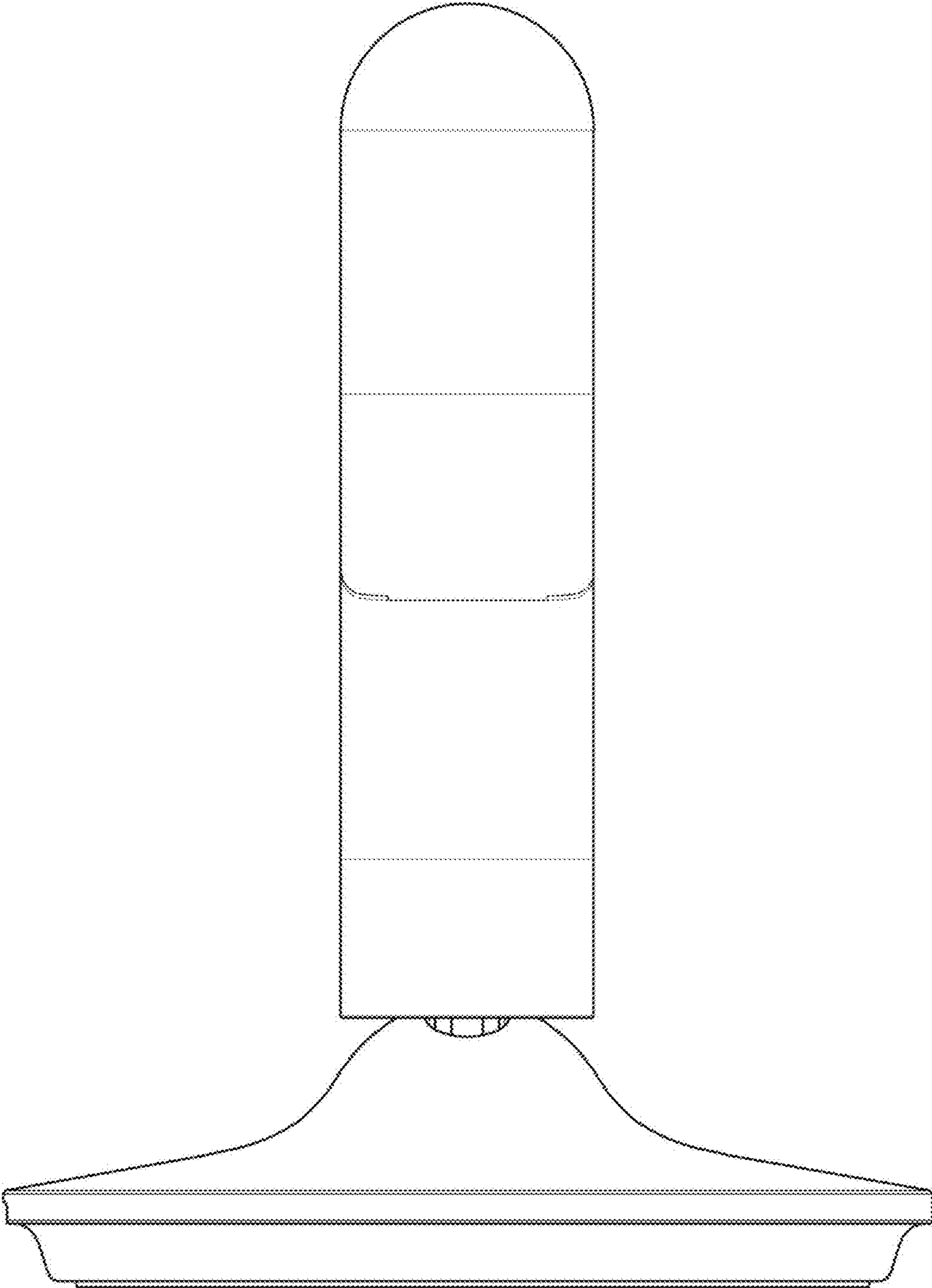


FIG. 3

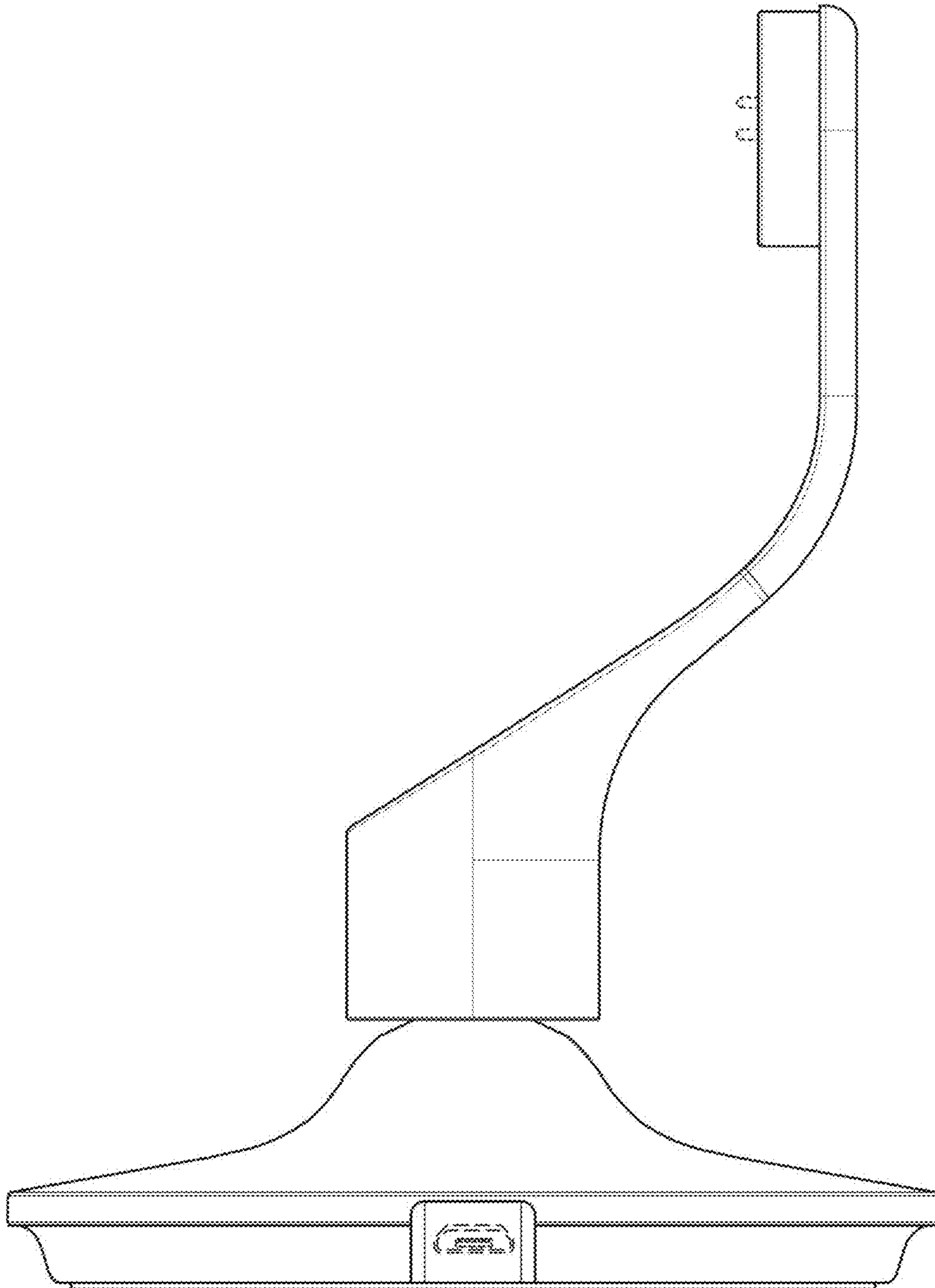


FIG. 4

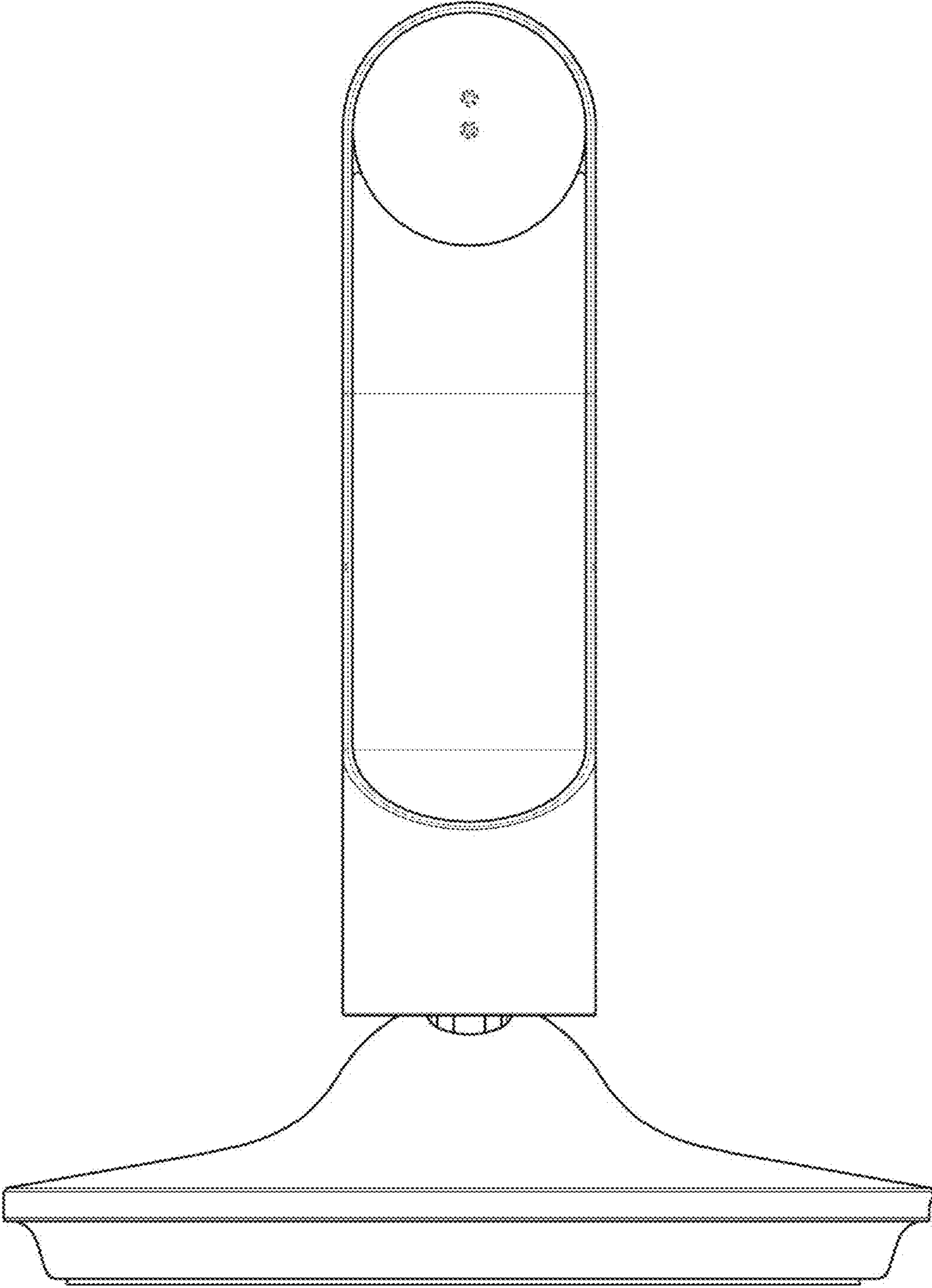


FIG. 5

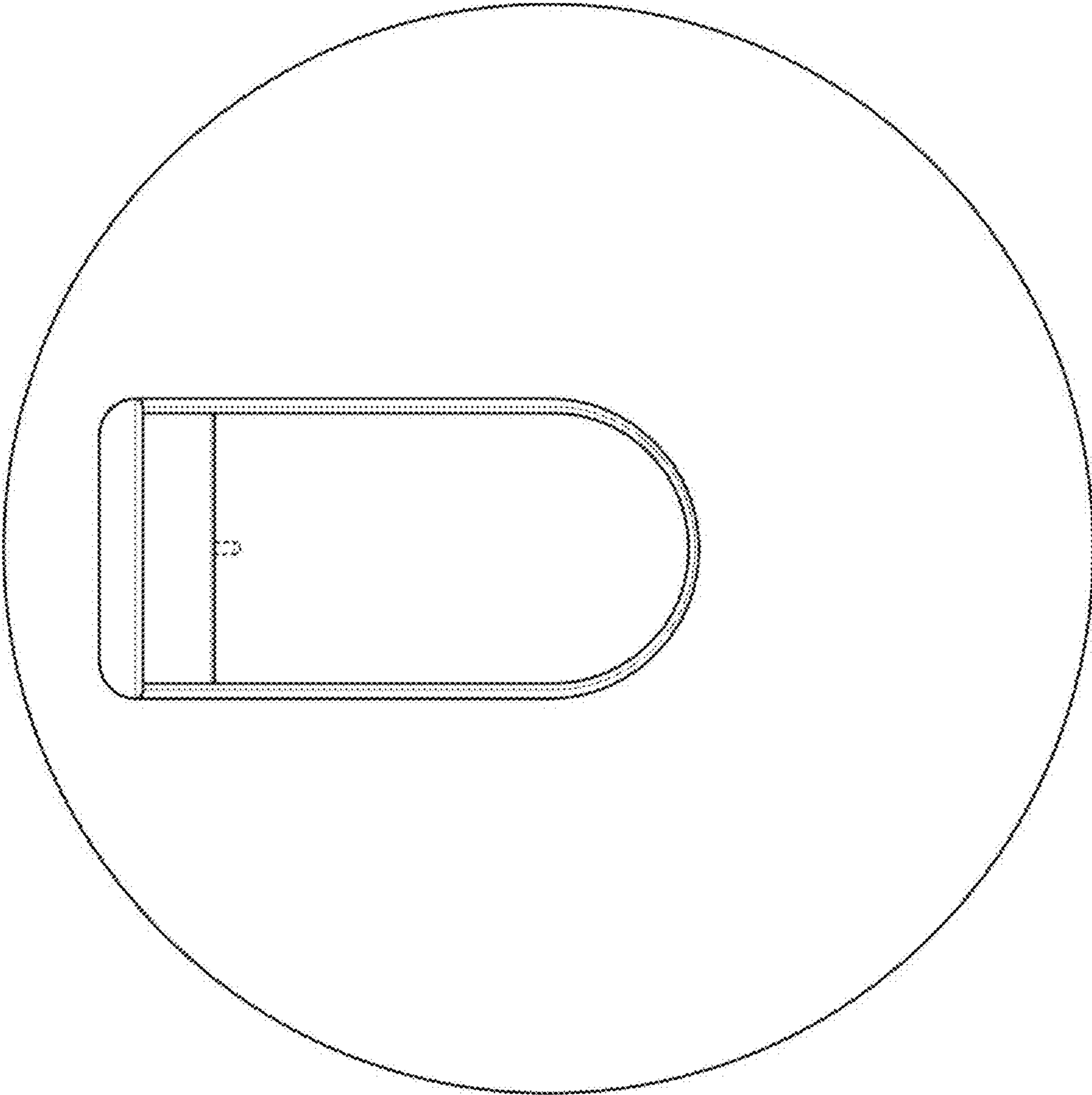


FIG. 6

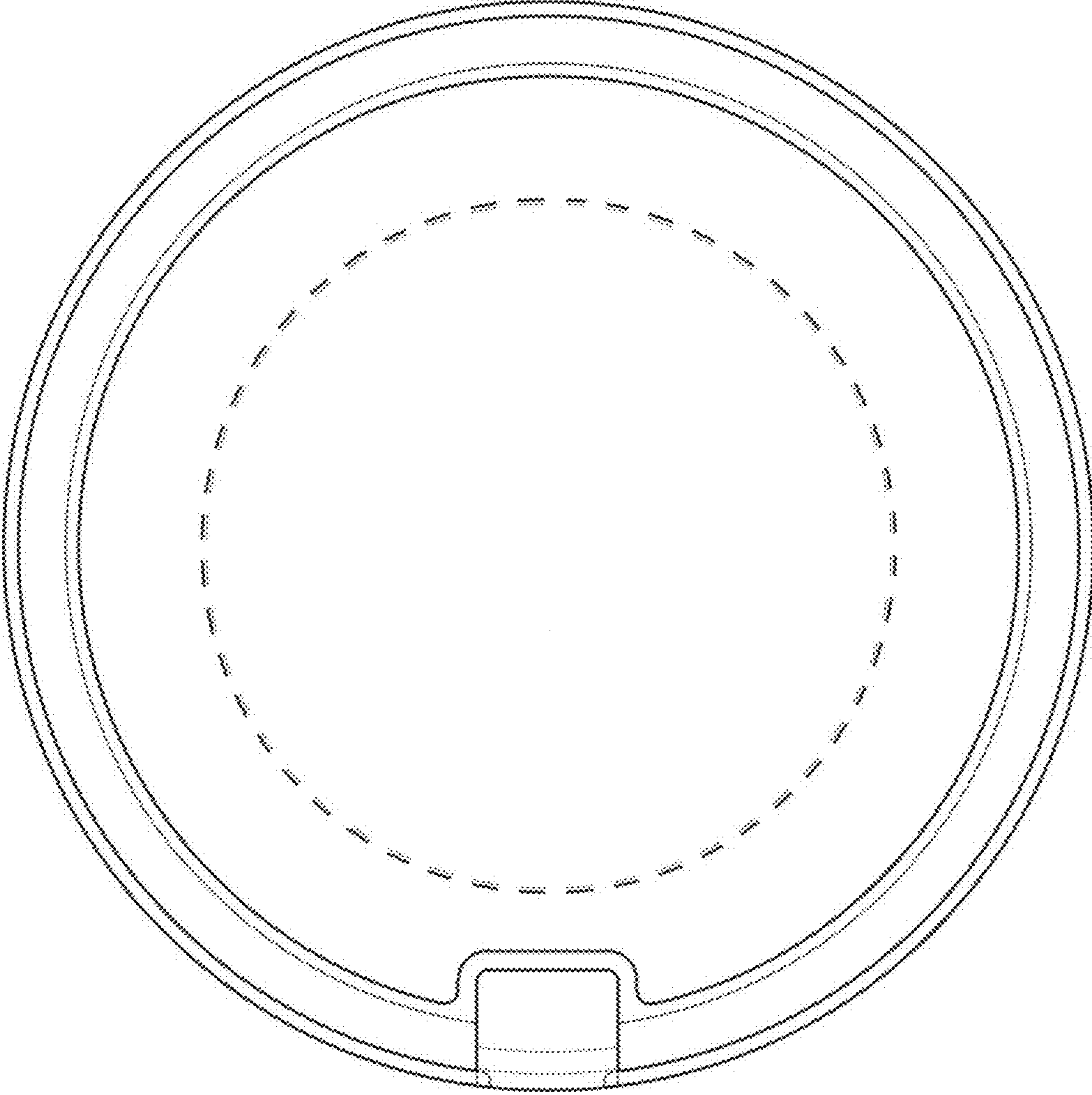


FIG. 7



FIG. 8



FIG. 9

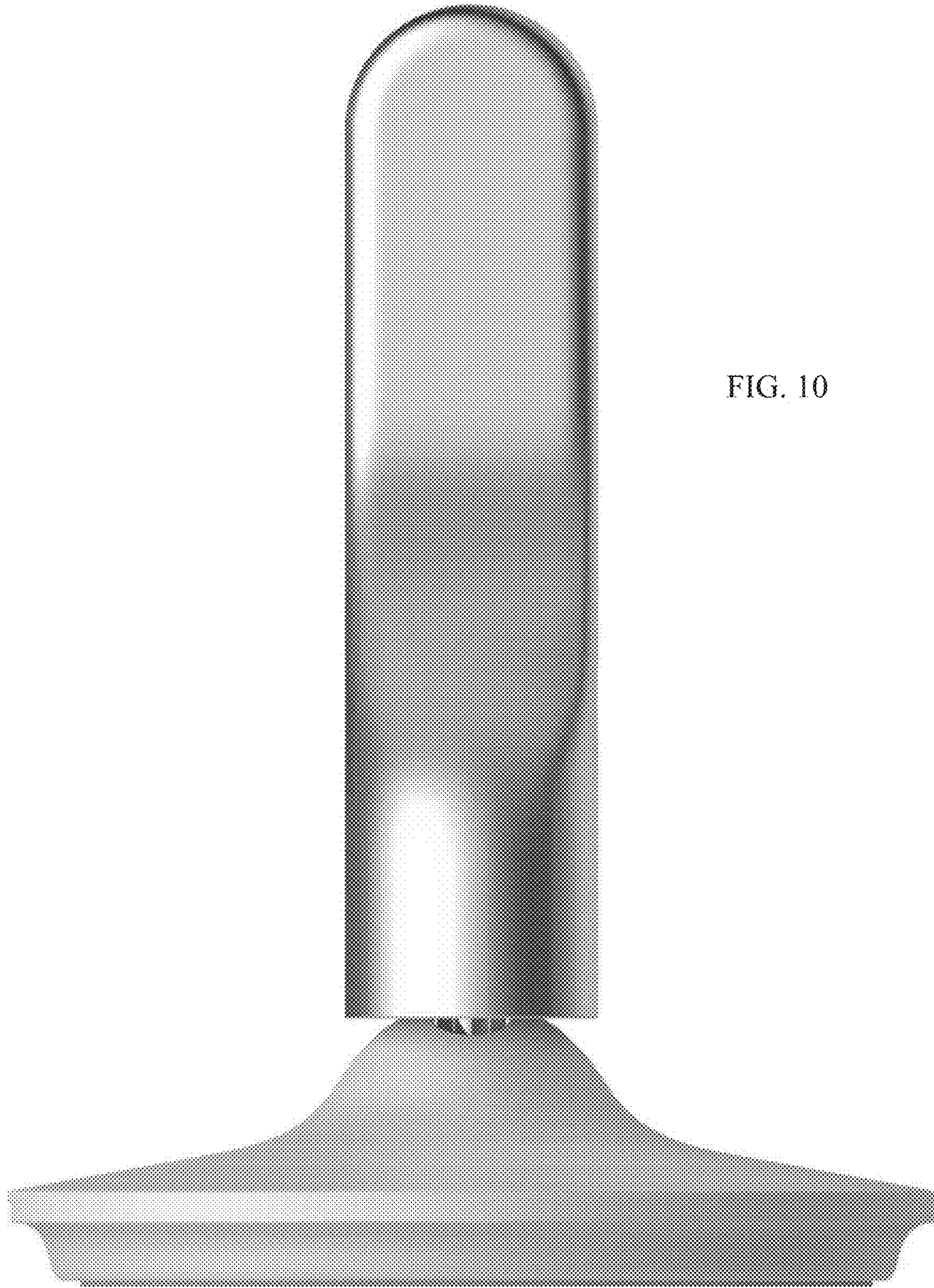


FIG. 10

FIG. 11



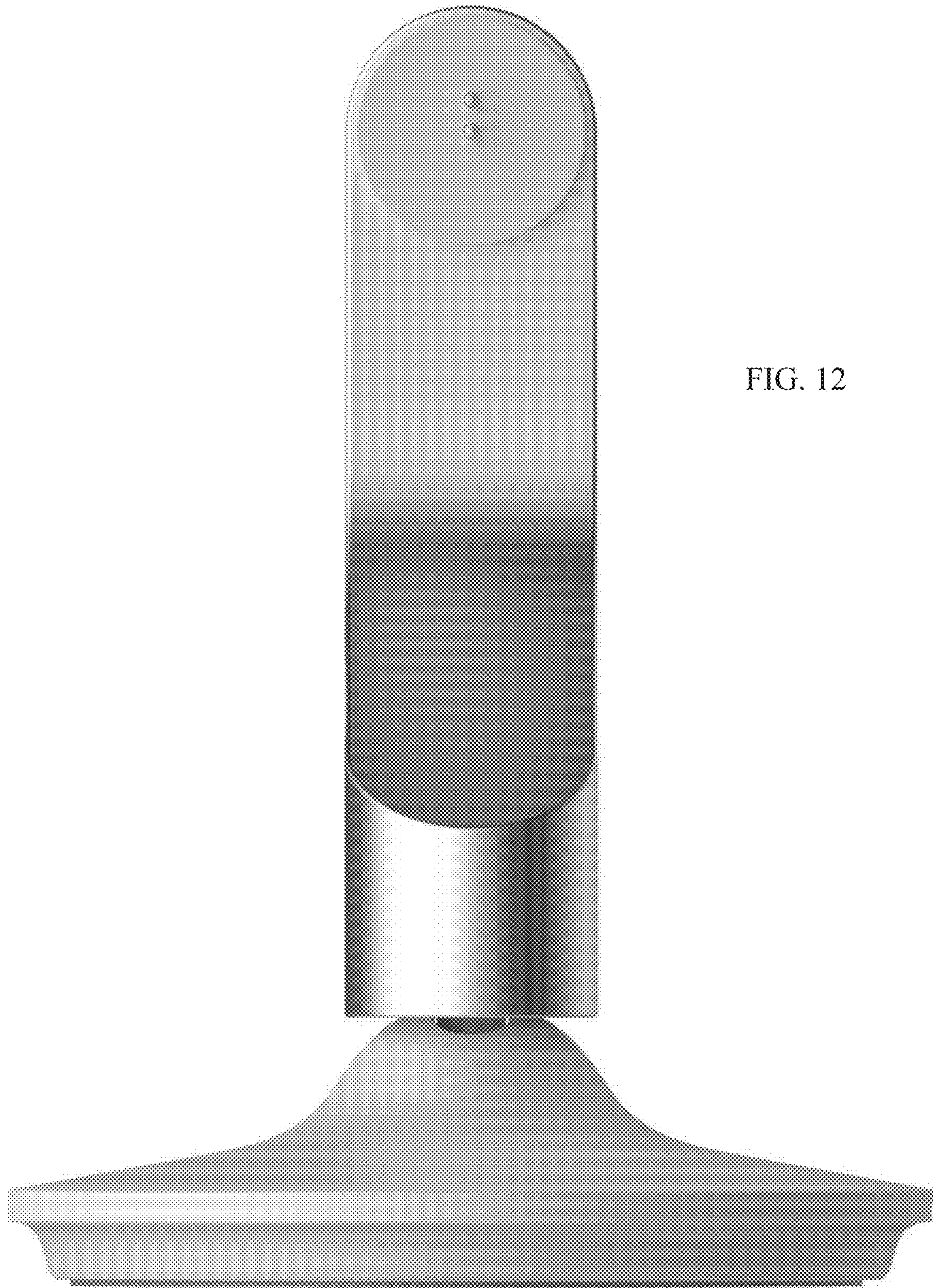


FIG. 12

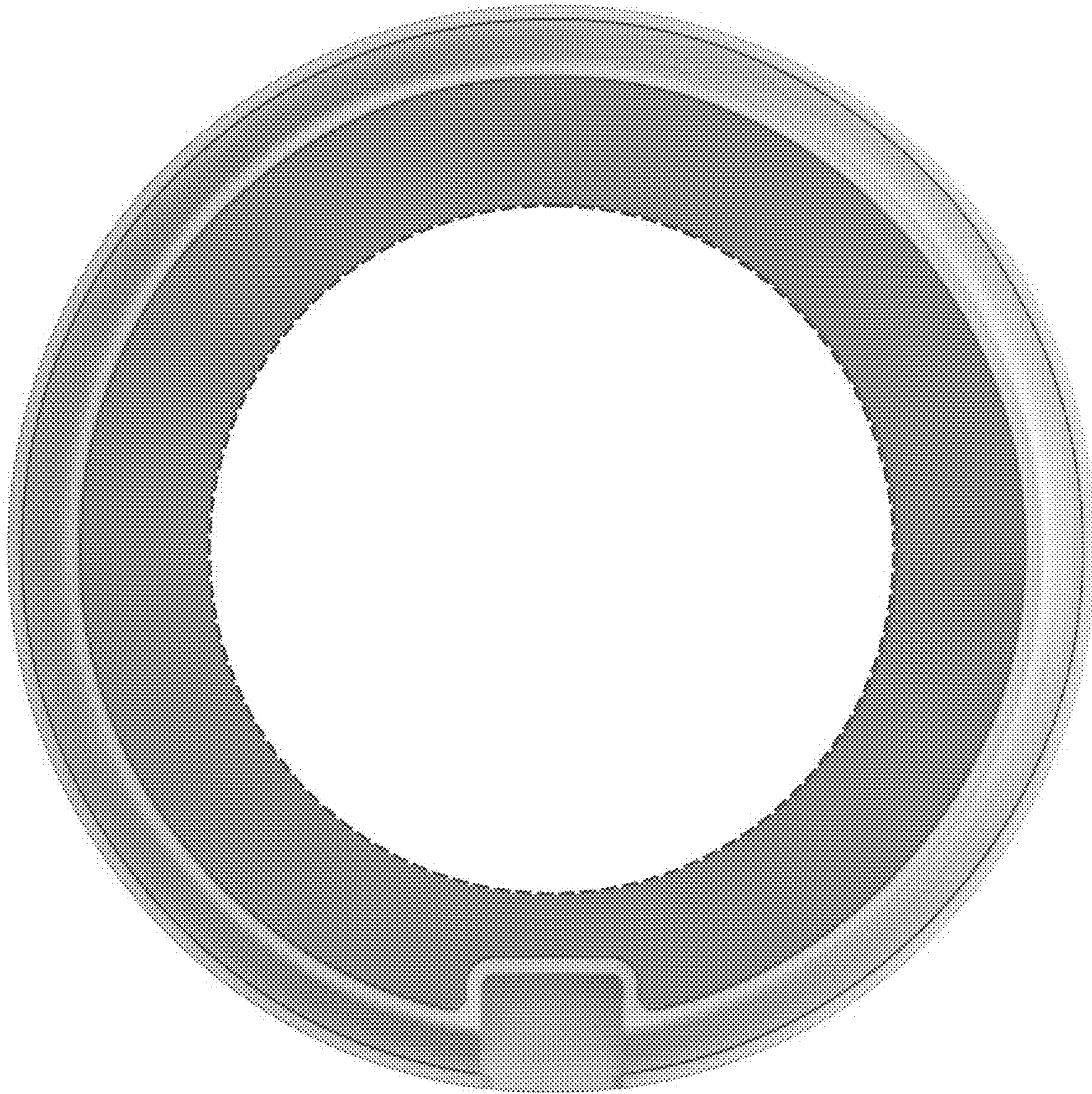


FIG. 13

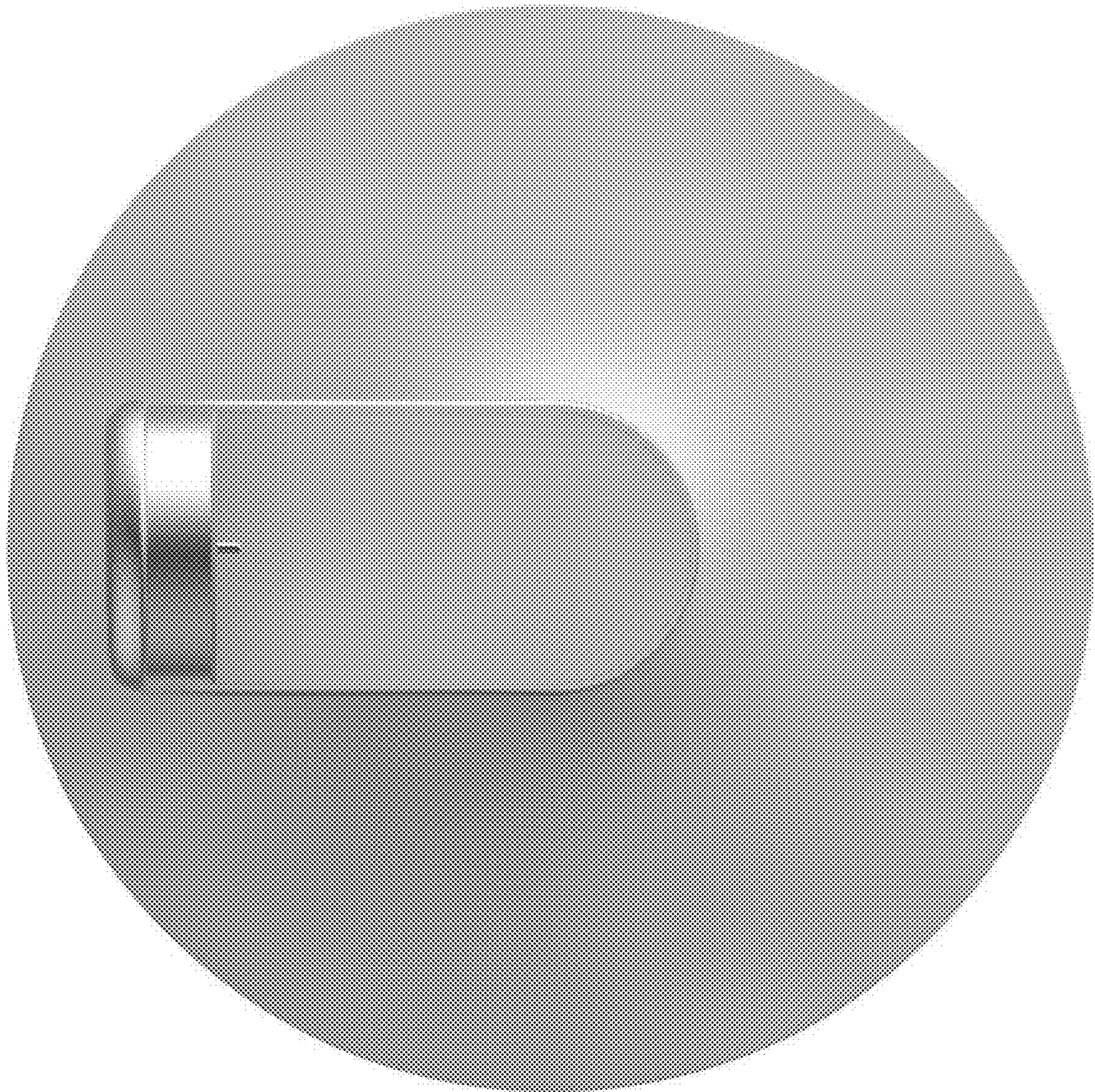


FIG. 14



FIG. 15



FIG. 16

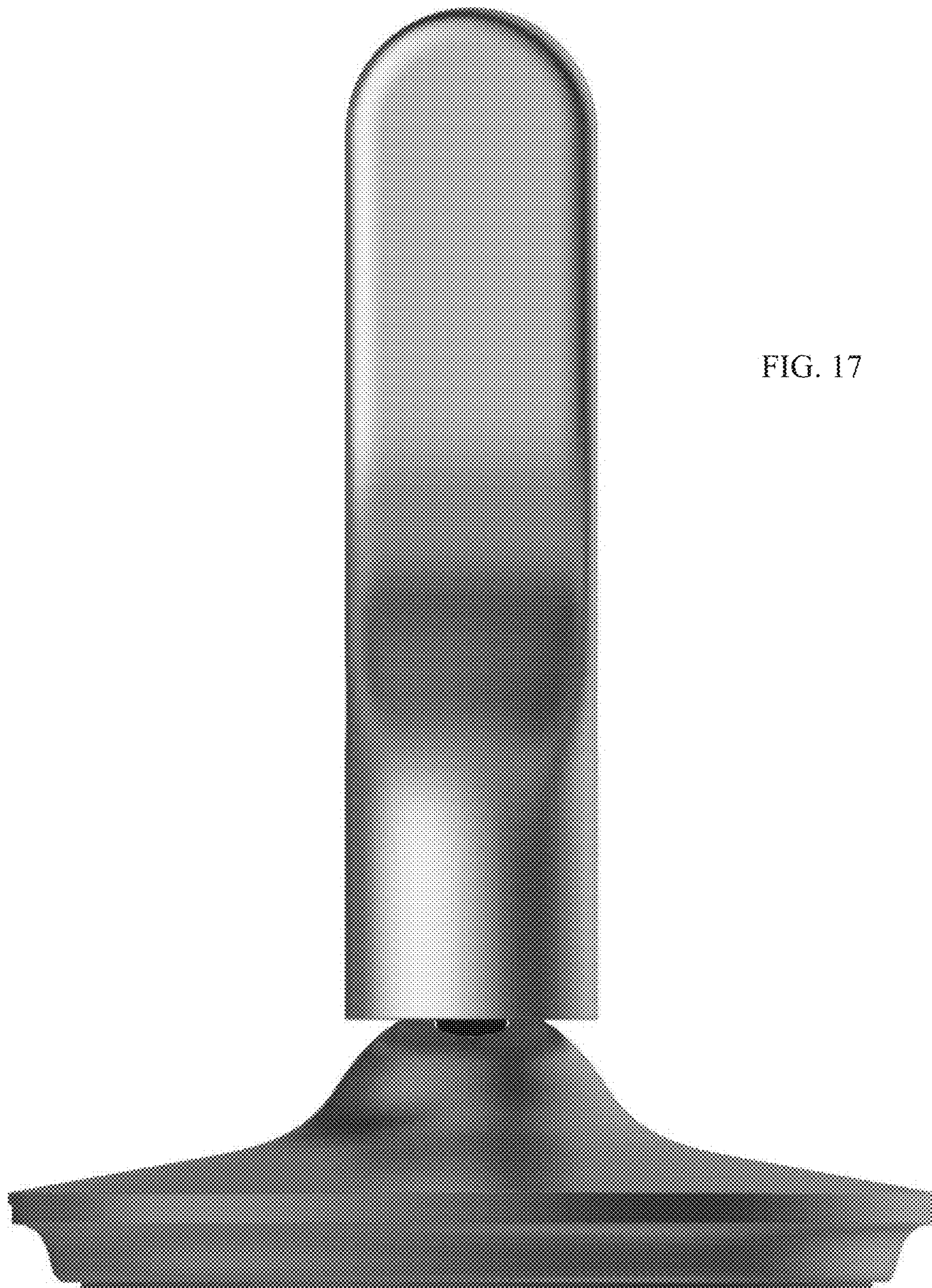


FIG. 17

FIG. 18



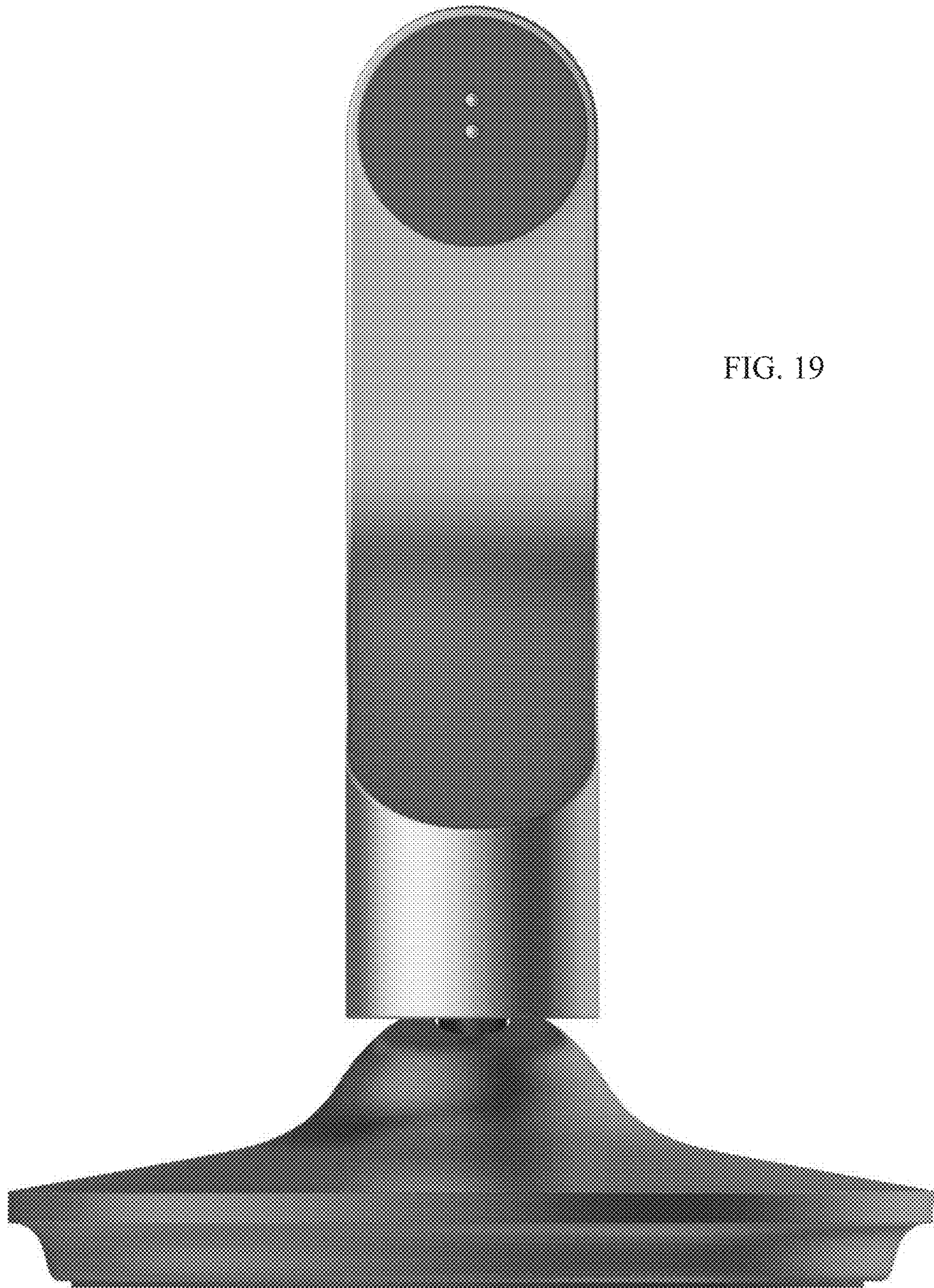


FIG. 19



FIG. 20

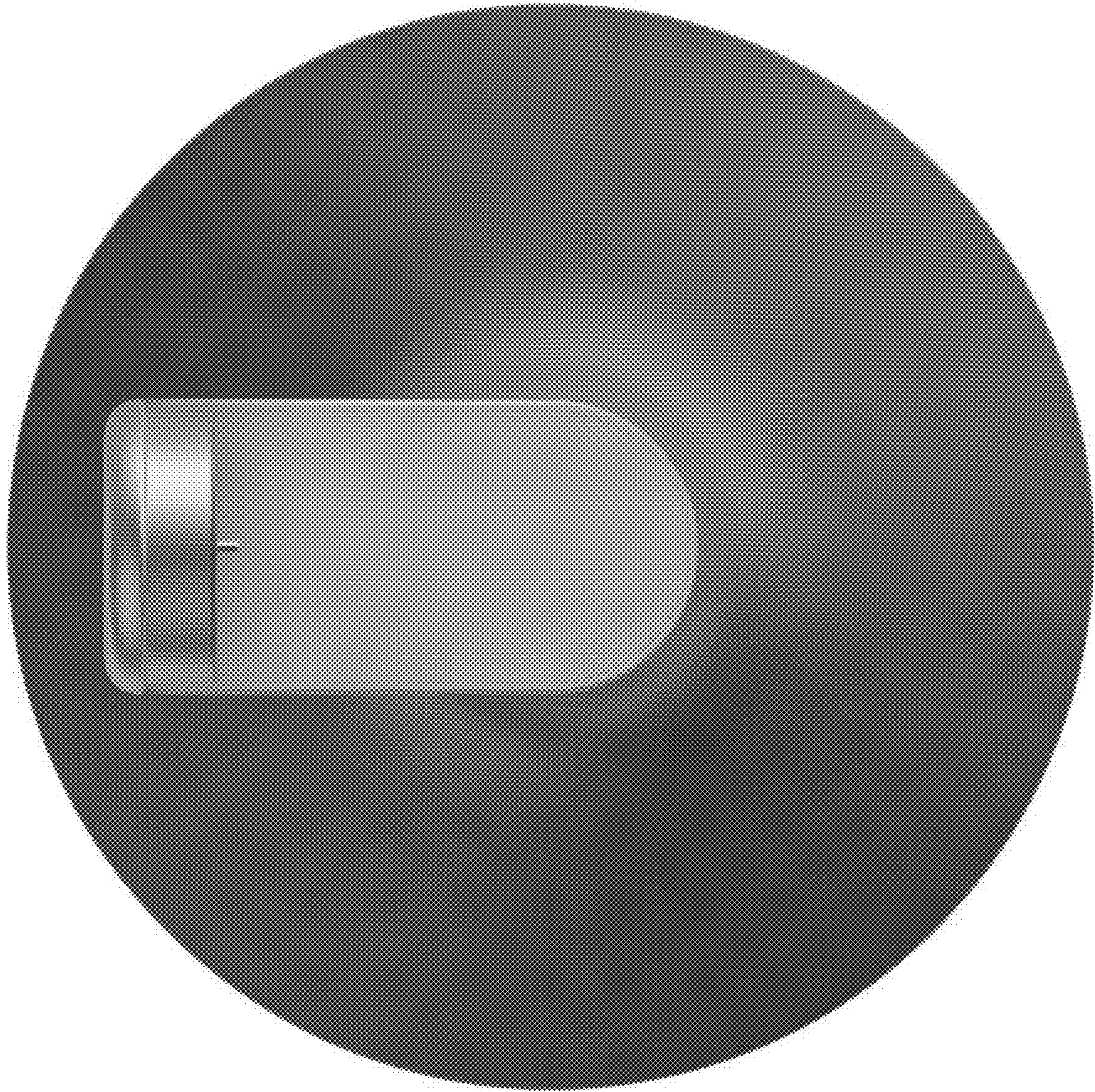


FIG. 21



FIG. 22



FIG. 23

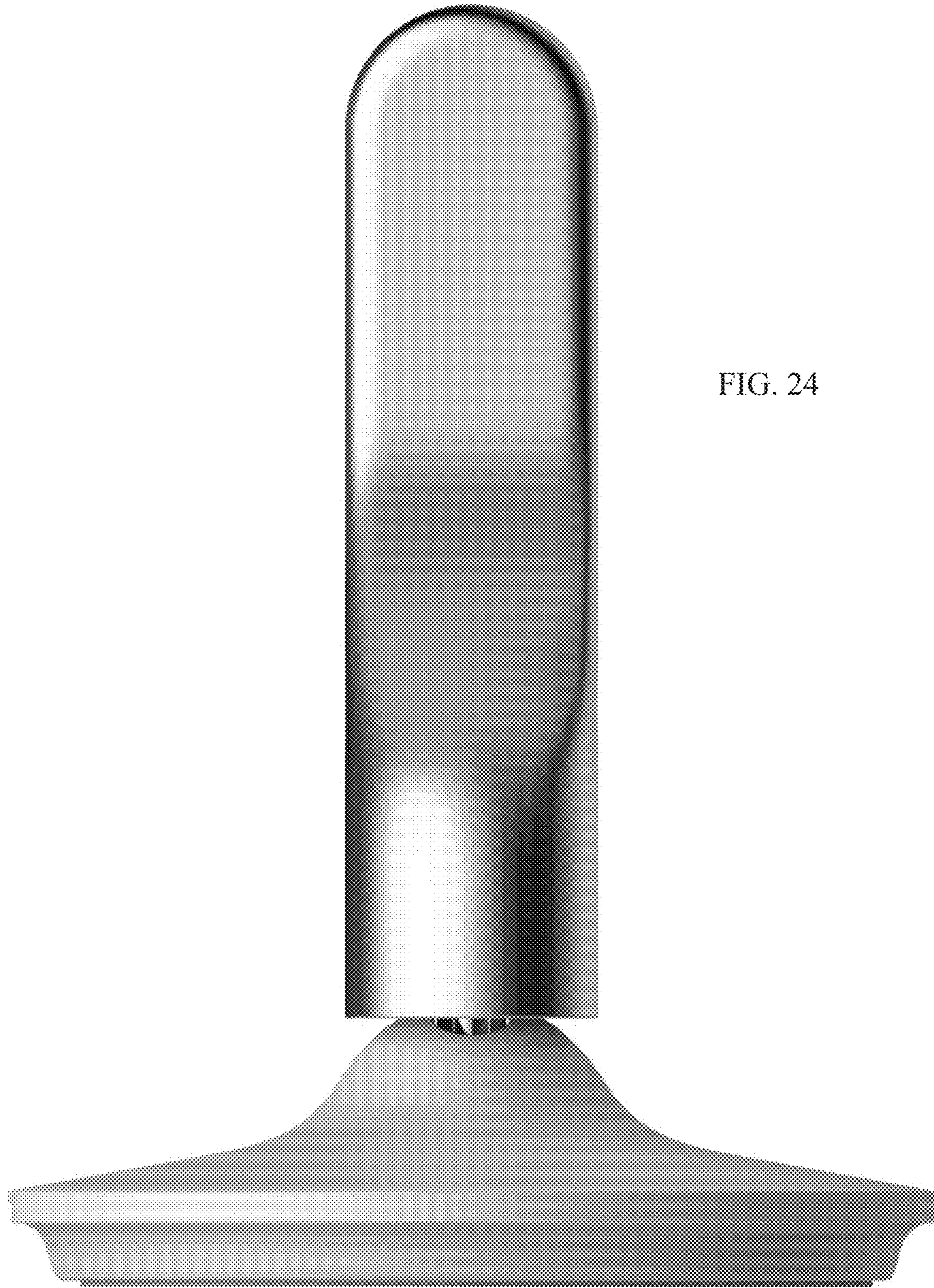


FIG. 24

FIG. 25



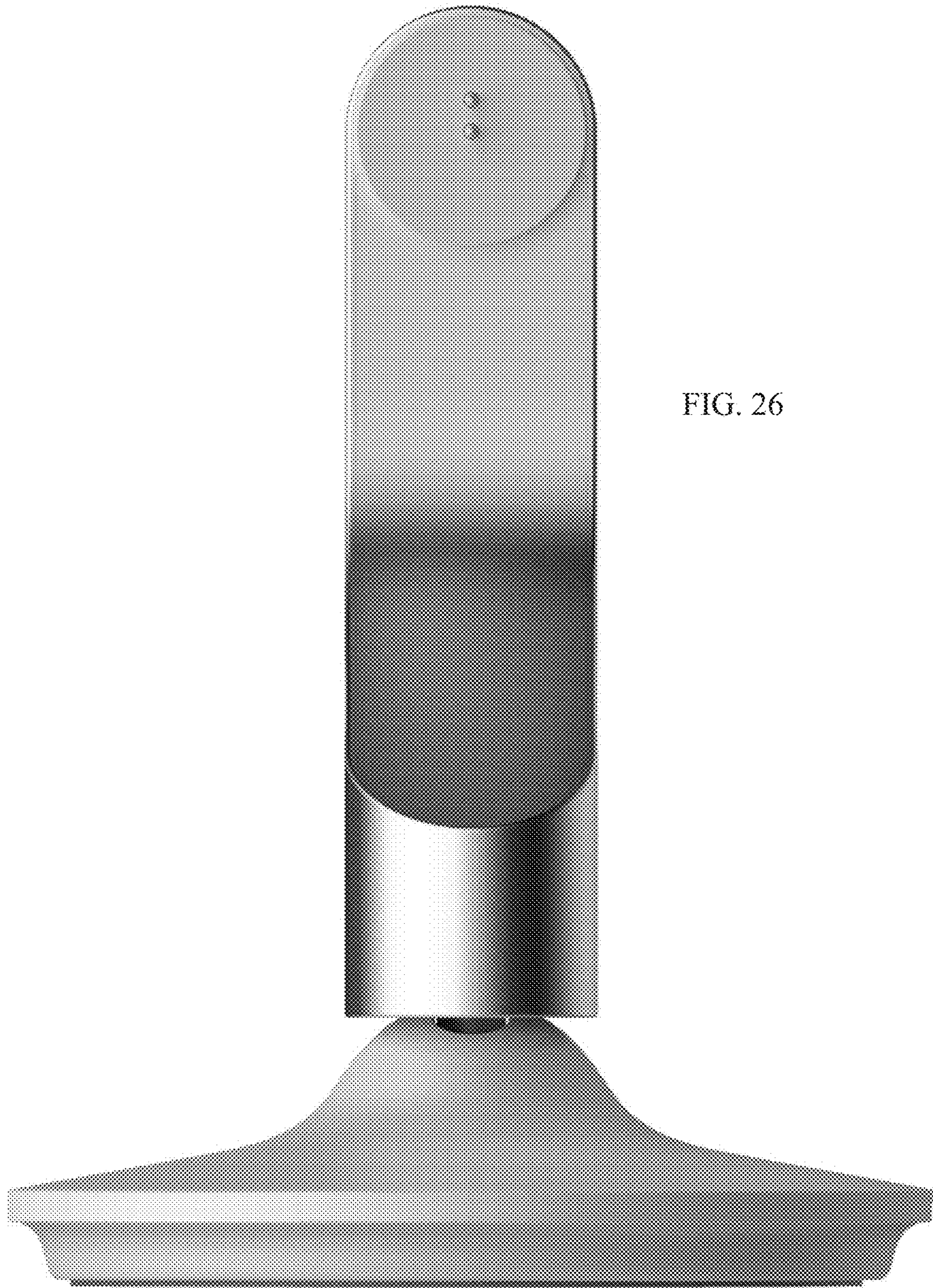


FIG. 26

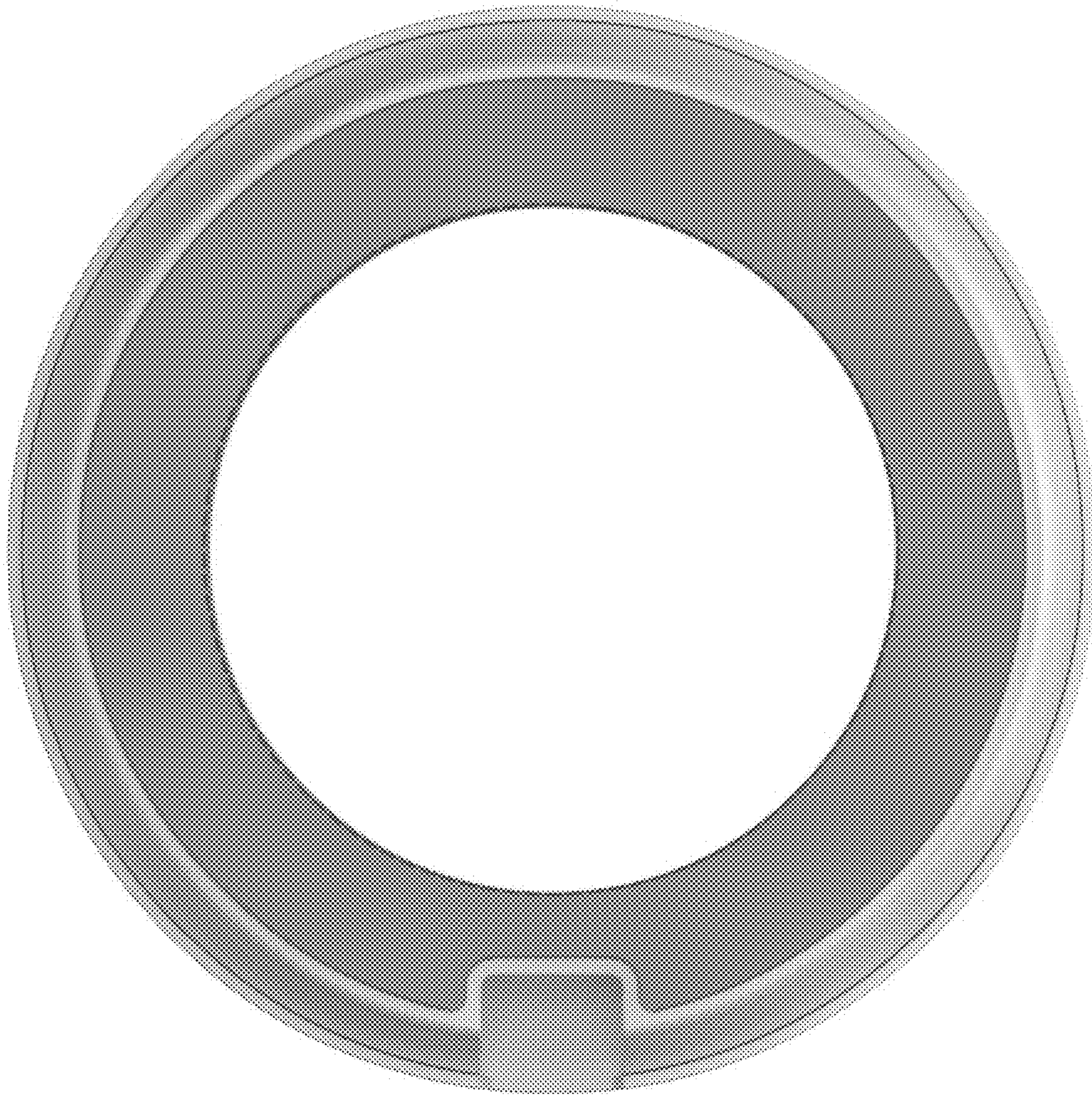


FIG. 27

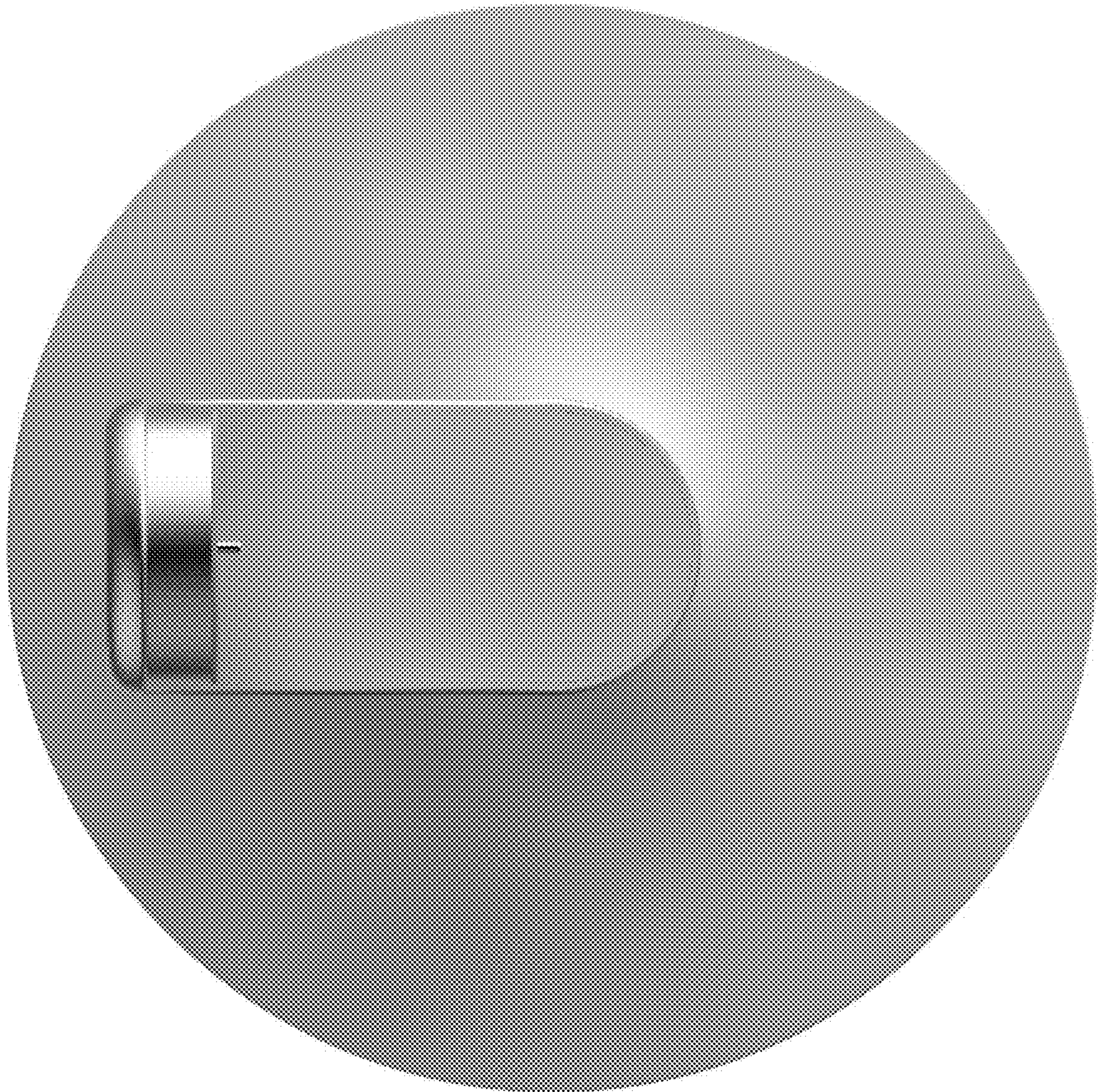


FIG. 28



FIG. 29



FIG. 30

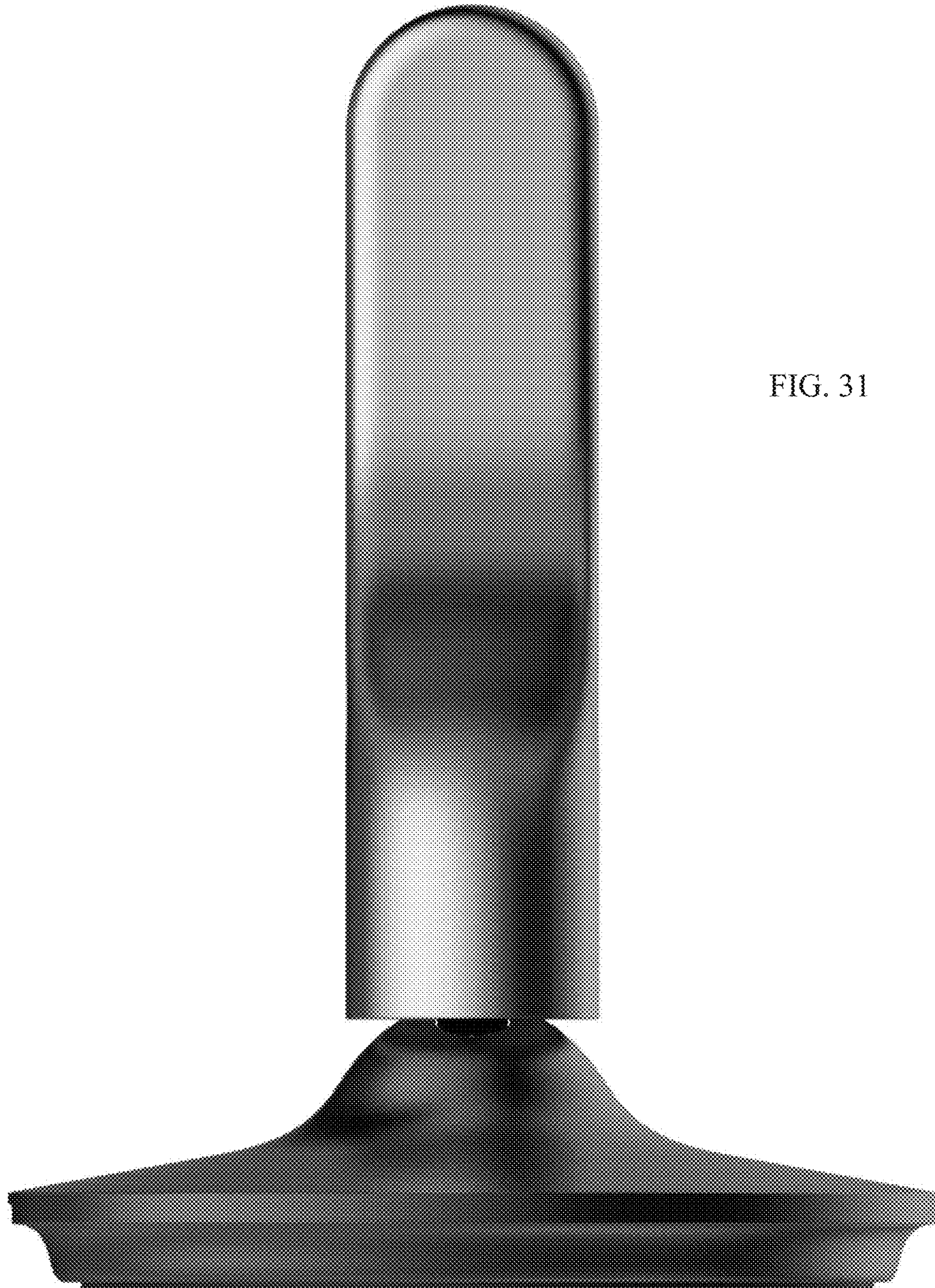


FIG. 31

FIG. 32



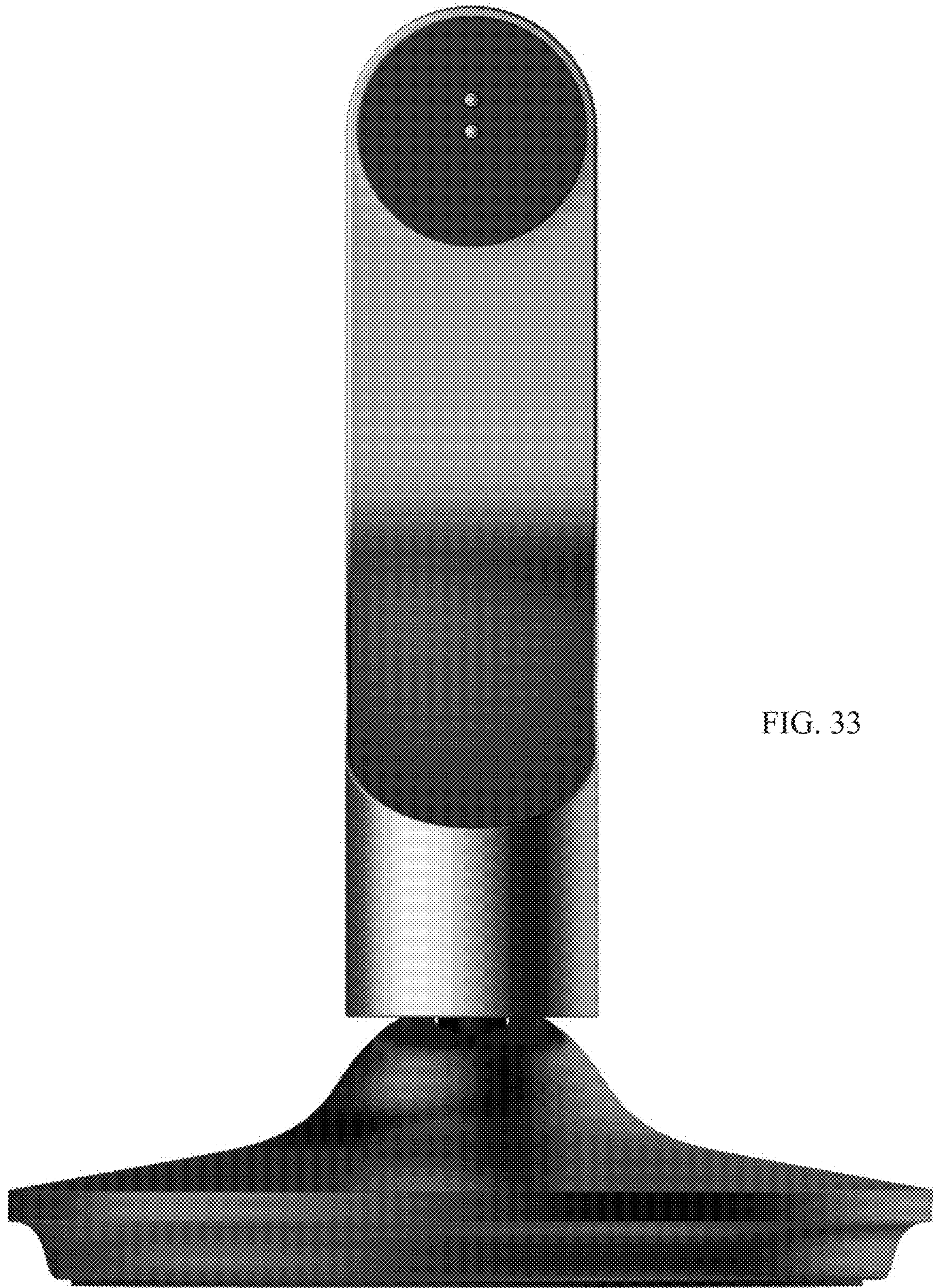


FIG. 33



FIG. 34

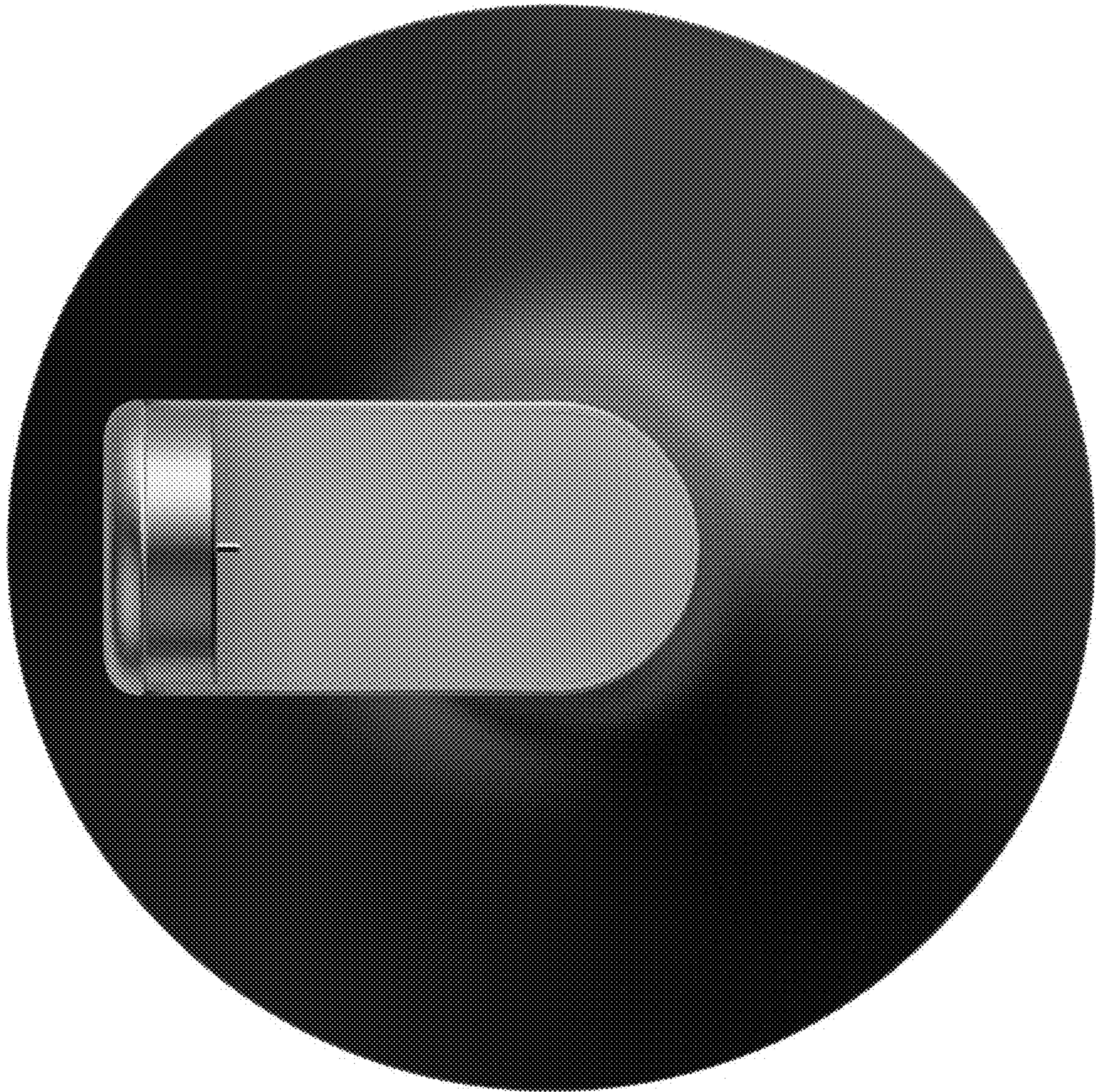


FIG. 35