



US00D875167S

(12) **United States Design Patent** (10) **Patent No.:** **US D875,167 S**  
**Cuban et al.** (45) **Date of Patent:** **\*\* Feb. 11, 2020**

(54) **ELECTRONIC DEVICE WITH IMAGE SENSORS**

D709,117 S \* 7/2014 Gan ..... D16/202  
D768,752 S \* 10/2016 Silver ..... D16/237  
2012/0025040 A1\* 2/2012 Lin ..... F16M 11/28  
248/188.8

(71) Applicant: **Motionloft, Inc.**, San Francisco, CA (US)

FOREIGN PATENT DOCUMENTS

(72) Inventors: **Mark Cuban**, Dallas, TX (US); **Joyce Reitman**, San Francisco, CA (US); **Paul McAlpine**, Dublin, CA (US)

CN 201230541367 \* 11/2012

(73) Assignee: **Motionloft, Inc.**, San Francisco, CA (US)

OTHER PUBLICATIONS

A Sensor Without Obstacles. Online, published date unknown. Retrieved on May 29, 2018 from URL: <https://motionloft.com/how-it-works/>.\*

(\*\*) Term: **15 Years**

\* cited by examiner

(21) Appl. No.: **29/605,507**

*Primary Examiner* — Susan Bennett Hattan

(22) Filed: **May 26, 2017**

*Assistant Examiner* — Omeed Agilee

(51) **LOC (12) Cl.** ..... **16-05**

(74) *Attorney, Agent, or Firm* — Hogan Lovells US LLP

(52) **U.S. Cl.**  
USPC ..... **D16/239**

(57) **CLAIM**

(58) **Field of Classification Search**  
USPC ..... D16/208, 213–219, 235–250; D8/363, D8/373, 394; D14/217, 229, 250–253  
CPC .. G03B 17/02–04; G03B 17/14; G03B 17/56; G03B 17/561–568; G03B 21/20; G02B 7/00–002; F16M 11/02; F16M 11/04; F16M 11/20; F16M 11/40  
See application file for complete search history.

The ornamental design for an electronic device with image sensors, as shown and described.

**DESCRIPTION**

(56) **References Cited**

U.S. PATENT DOCUMENTS

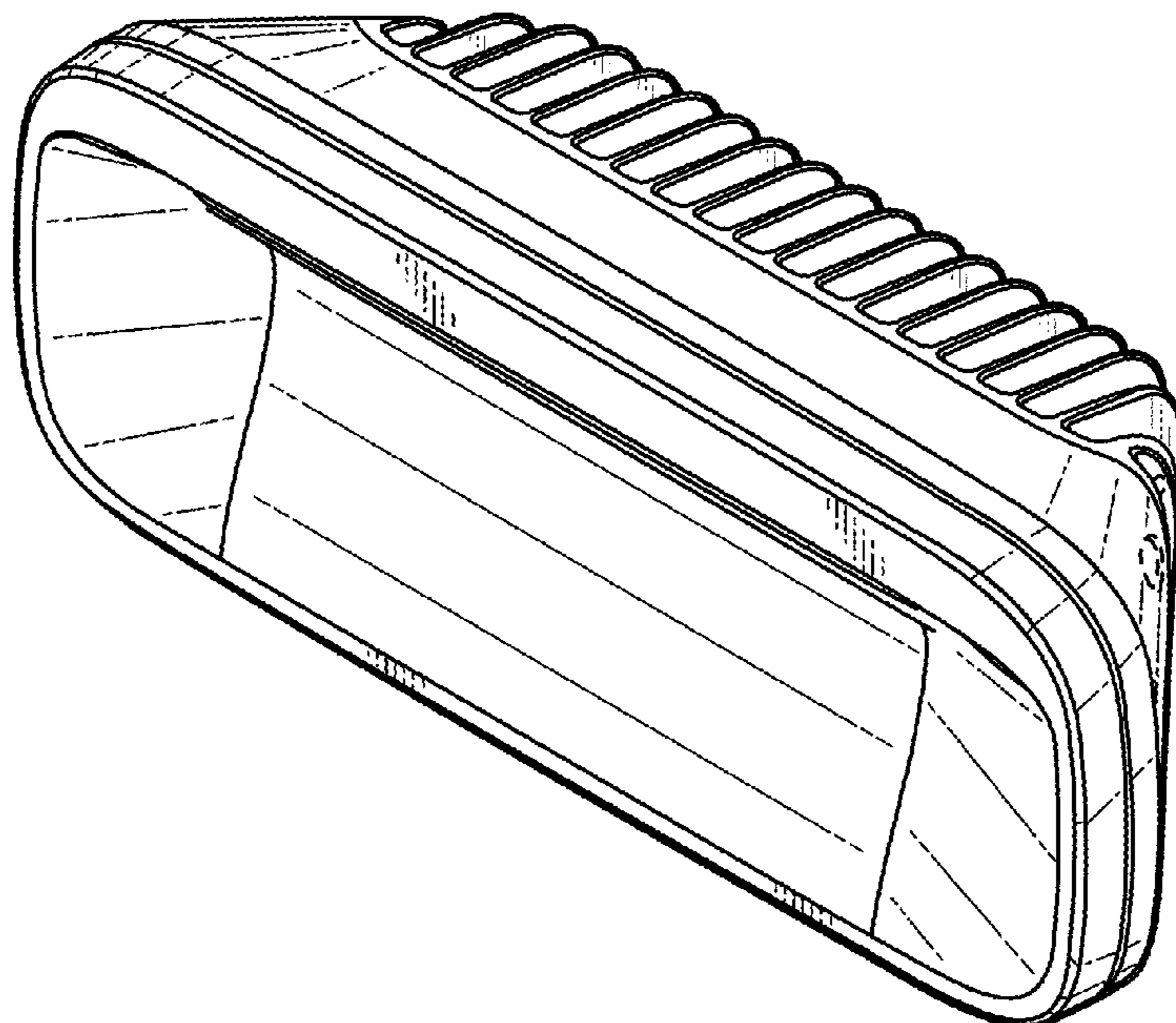
D231,859 S \* 6/1974 Annett ..... D16/236  
D269,436 S \* 6/1983 Jost ..... D16/236  
D594,893 S \* 6/2009 Fong ..... D16/239  
D654,942 S \* 2/2012 Khamsepoor ..... D16/202  
D694,796 S \* 12/2013 Tsai ..... D16/202

FIG. 1 is a front perspective view of an electronic device with image sensors showing our new design; FIG. 2 is a top plan view thereof; FIG. 3 is a front elevation view thereof; FIG. 4 is a left side elevation view thereof; FIG. 5 is a right side elevation view thereof; FIG. 6 is a rear elevation view thereof; and, FIG. 7 is a bottom plan view thereof.

The broken lines within the Figures show portions of the electronic device with image sensors that form no part of the claimed design.

The dash dash broken lines depict the boundaries of the claim and form no part thereof.

**1 Claim, 3 Drawing Sheets**



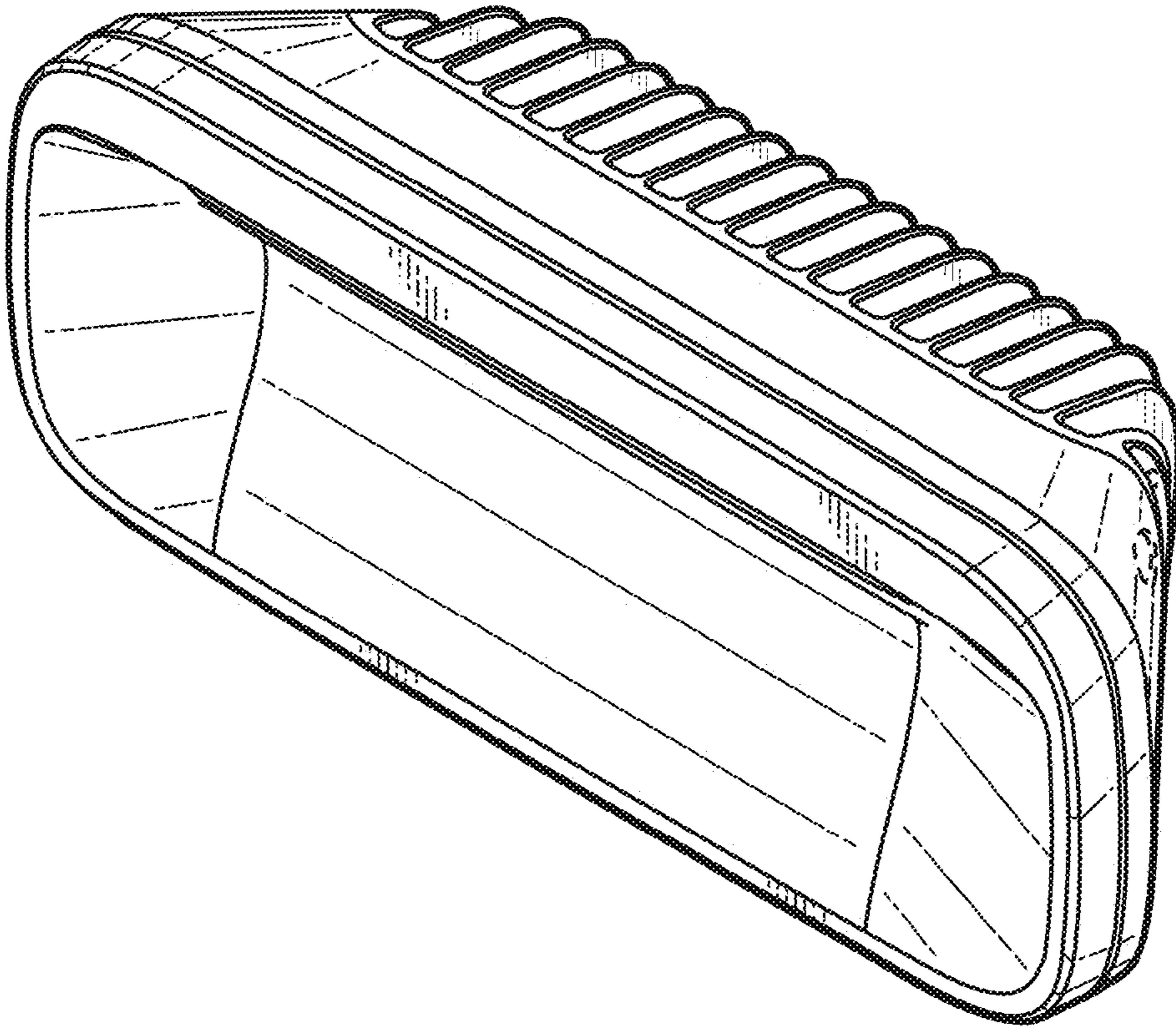


FIG. 1

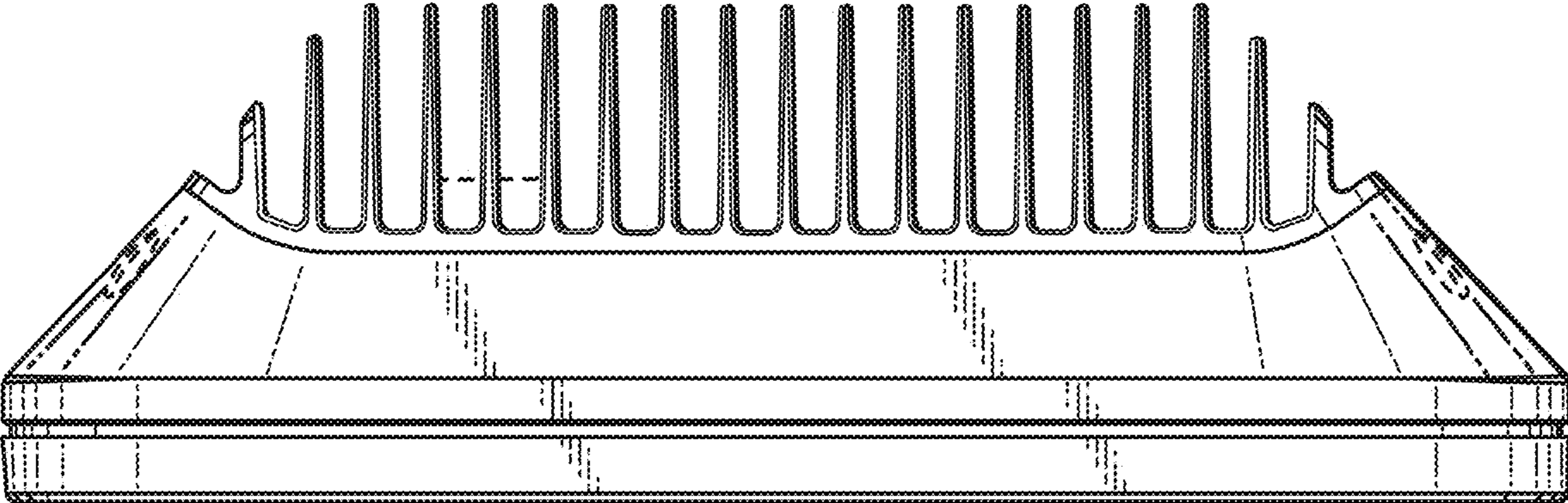
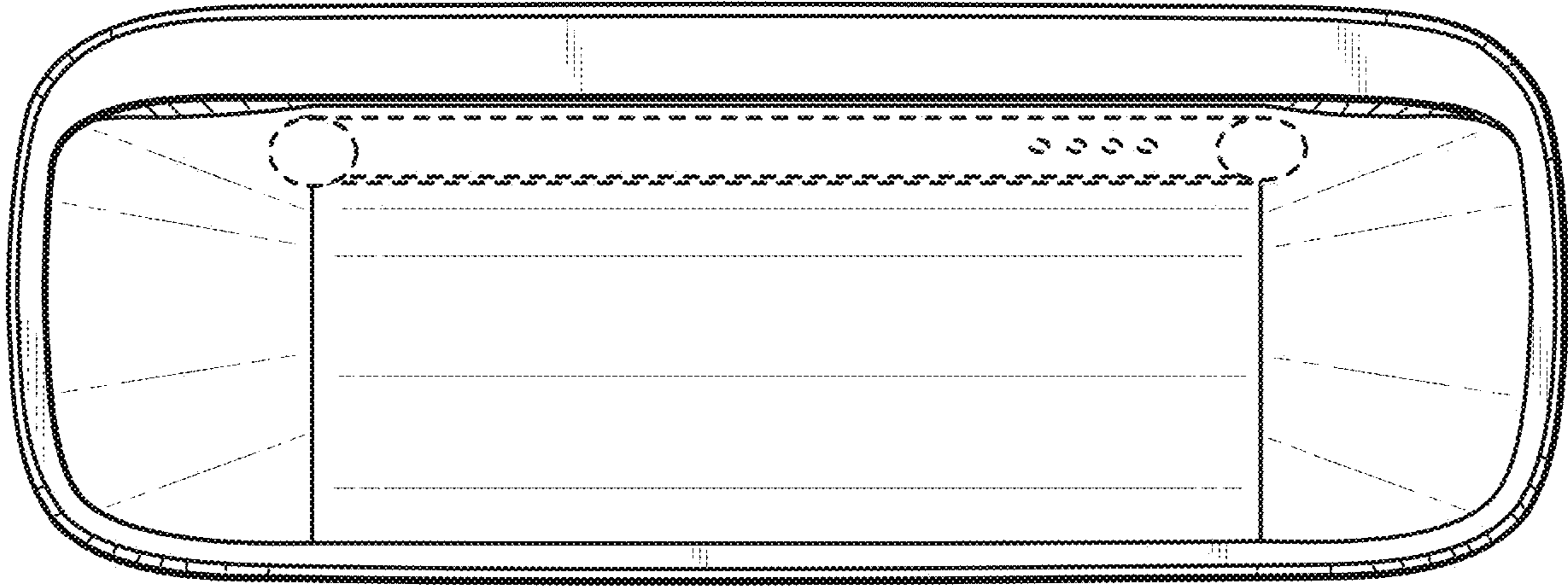
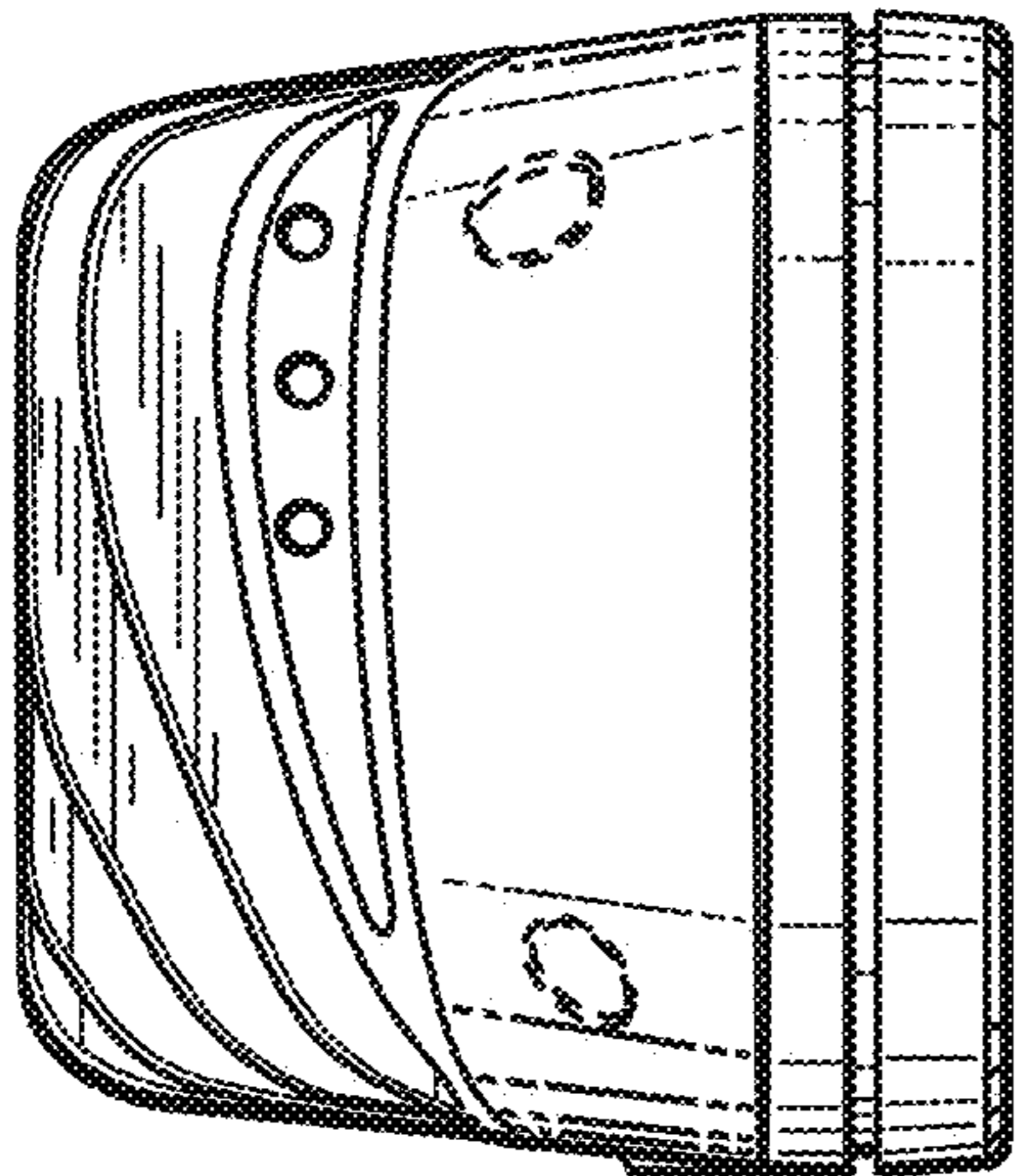


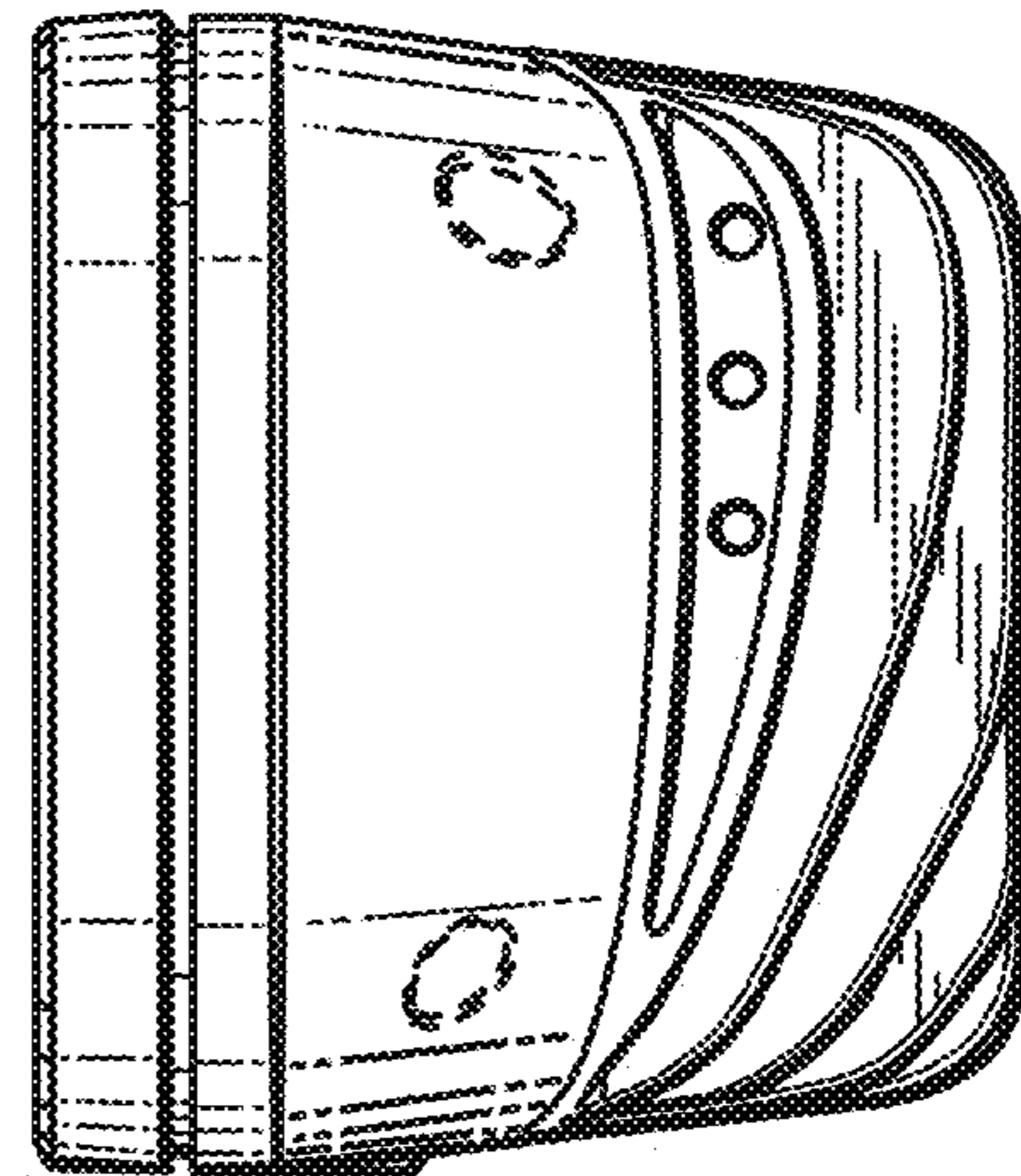
FIG. 2



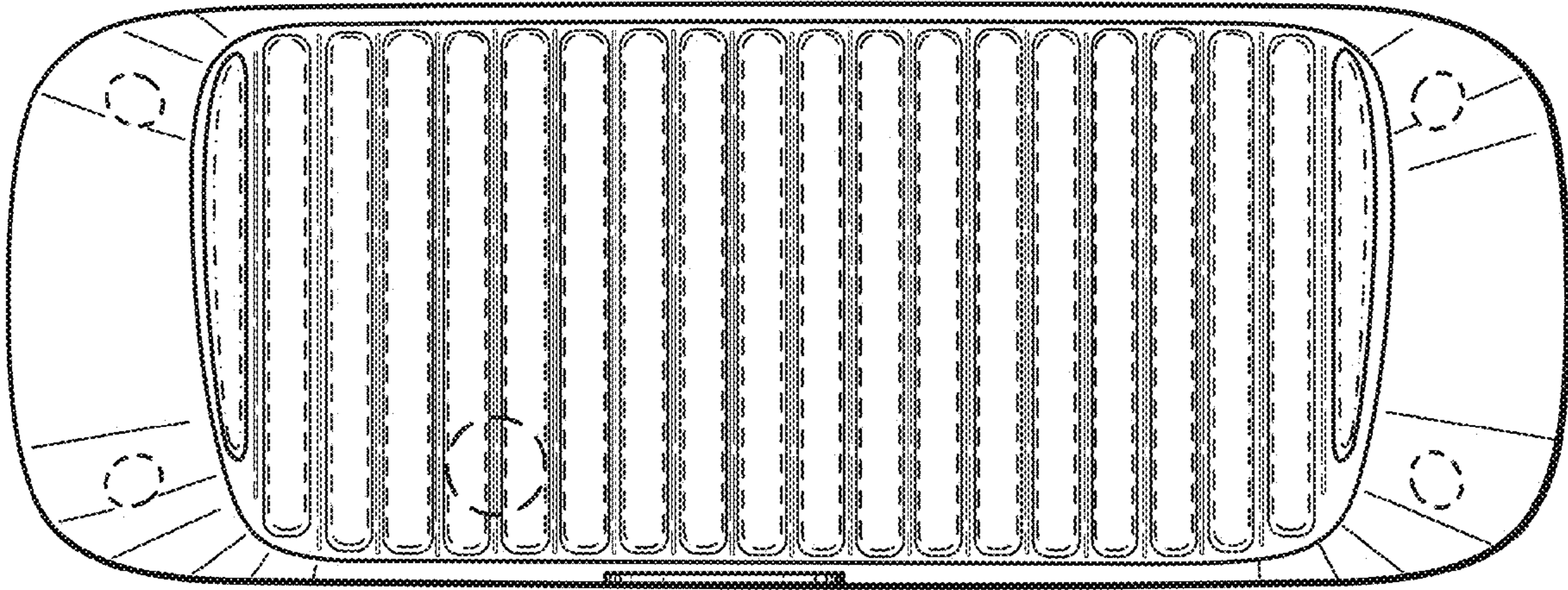
**FIG. 3**



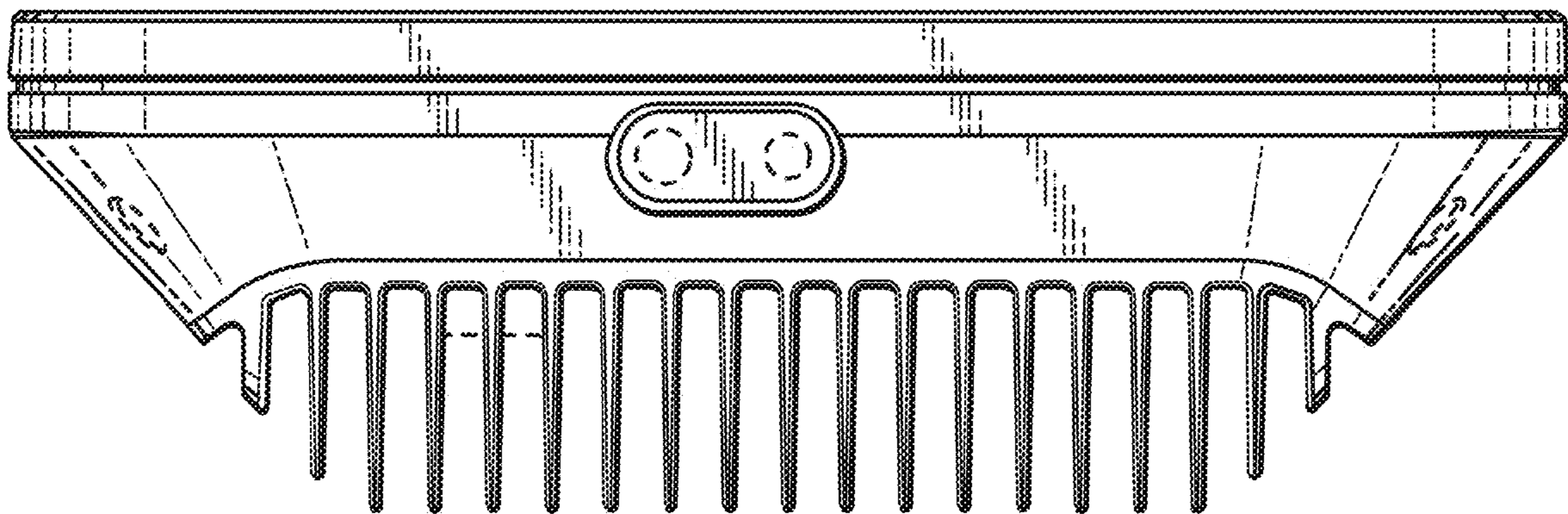
**FIG. 4**



**FIG. 5**



**FIG. 6**



**FIG. 7**