



US00D875166S

(12) **United States Design Patent**
Beghelli

(10) **Patent No.:** **US D875,166 S**

(45) **Date of Patent:** **** Feb. 11, 2020**

(54) **PROJECTOR EMBEDDED IN WALLS AND CEILINGS**

D740,344 S * 10/2015 Li D16/225
D750,691 S * 3/2016 Hu D16/230
2004/0066495 A1* 4/2004 Yu G03B 21/14
353/84

(71) Applicant: **BEGHELLI S.P.A.**, Montevoglio (IT)

(72) Inventor: **Gian Pietro Beghelli**, Montevoglio (IT)

(73) Assignee: **BEGHELLI S.P.A.**, Montevoglio (IT)

(**) Term: **15 Years**

(21) Appl. No.: **29/637,554**

(22) Filed: **Feb. 20, 2018**

(30) **Foreign Application Priority Data**

Nov. 30, 2017 (EM) 004528743-0001

(51) **LOC (12) Cl.** **16-02**

(52) **U.S. Cl.**
USPC **D16/230**

(58) **Field of Classification Search**
USPC D16/221, 225, 230-231, 234; D21/514,
D21/308, 362; D14/506, 508-509, 168,
D14/195; D32/21; 353/119, 122
CPC G03B 21/14; G03B 21/145; G03B 21/12;
G03B 21/16; G03B 21/00; G03B 21/001;
G03B 21/003

See application file for complete search history.

(56) **References Cited**

U.S. PATENT DOCUMENTS

6,598,977 B1 * 7/2003 Chen G03B 21/14
348/743
D555,184 S * 11/2007 Rodriguez, Jr. D16/225

FOREIGN PATENT DOCUMENTS

CN 304222215 * 12/2016

* cited by examiner

Primary Examiner — Wan Laymon

(74) *Attorney, Agent, or Firm* — Maier & Maier, PLLC

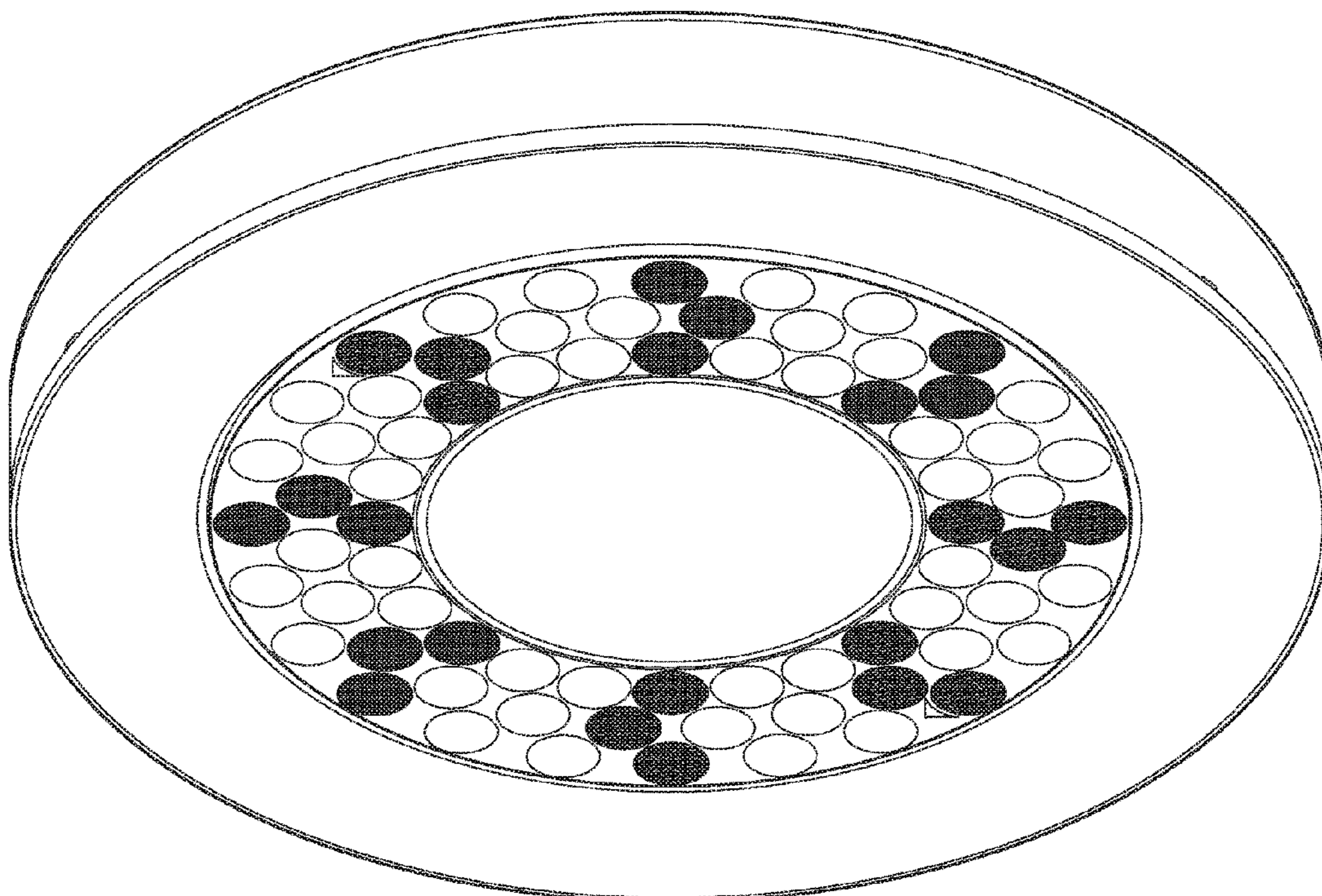
(57) **CLAIM**

The ornamental design for a projector embedded in walls and ceilings, as shown and described.

DESCRIPTION

FIG. 1 is a perspective view of a projector embedded in walls and ceilings;
FIG. 2 is a top view thereof;
FIG. 3 is a bottom view thereof;
FIG. 4 is a front view thereof;
FIG. 5 is a rear view thereof;
FIG. 6 is left side view thereof;
FIG. 7 is a right side view thereof; and,
FIG. 8 is bottom perspective view thereof.
The broken lines showing portions of the projector embedded in walls and ceilings form no part of the claimed design.

1 Claim, 8 Drawing Sheets



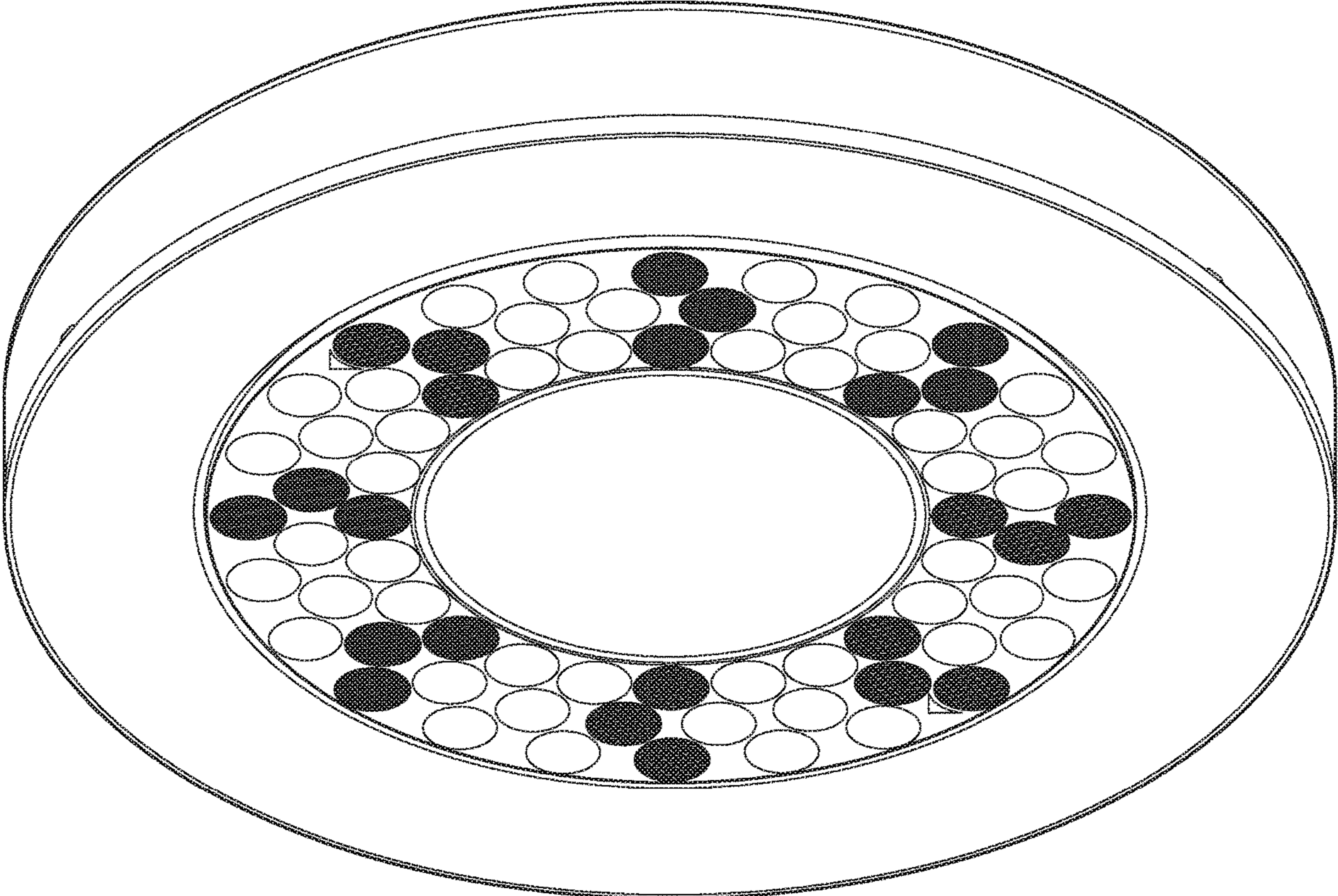


FIG. 1

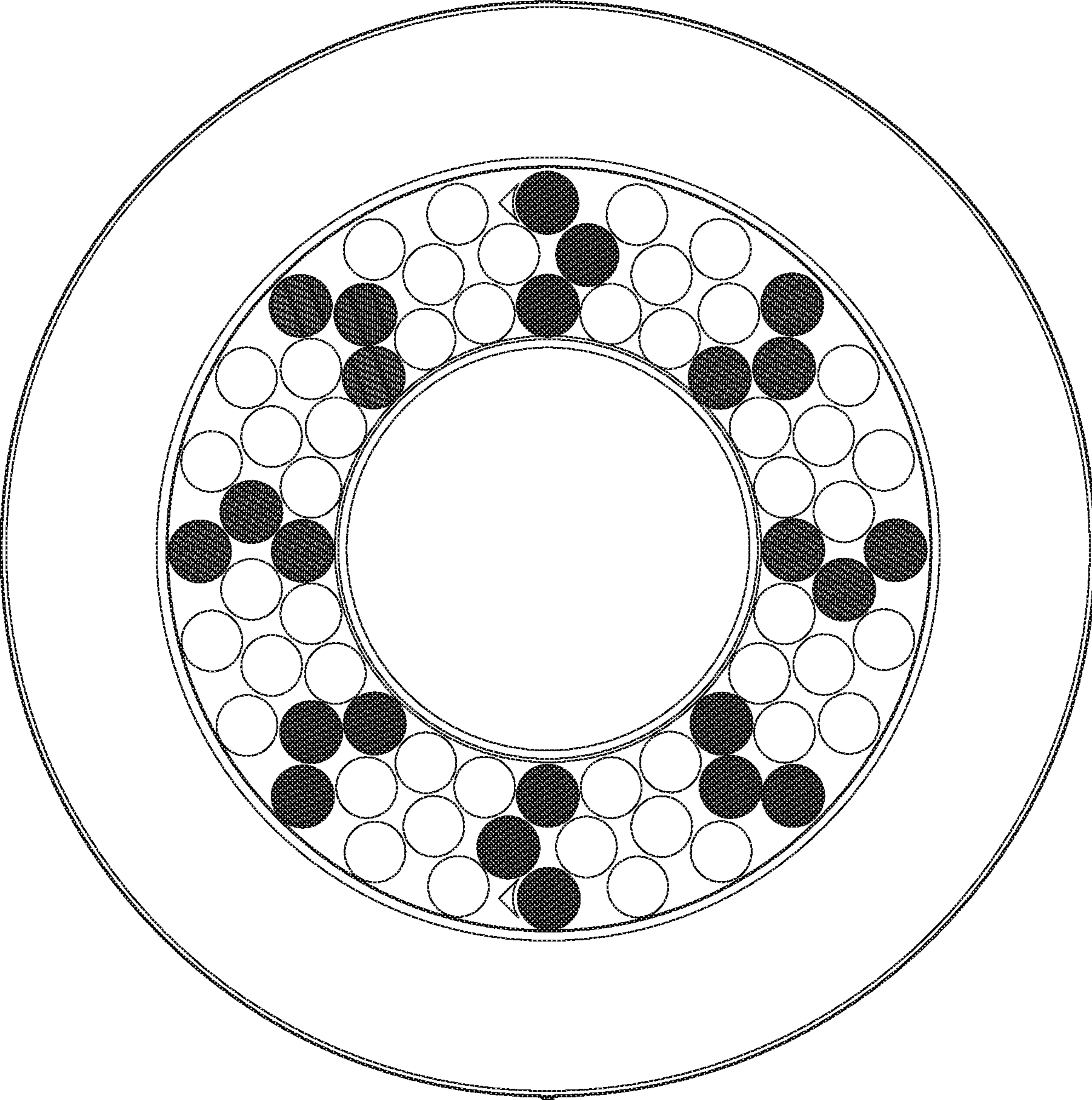


FIG. 2

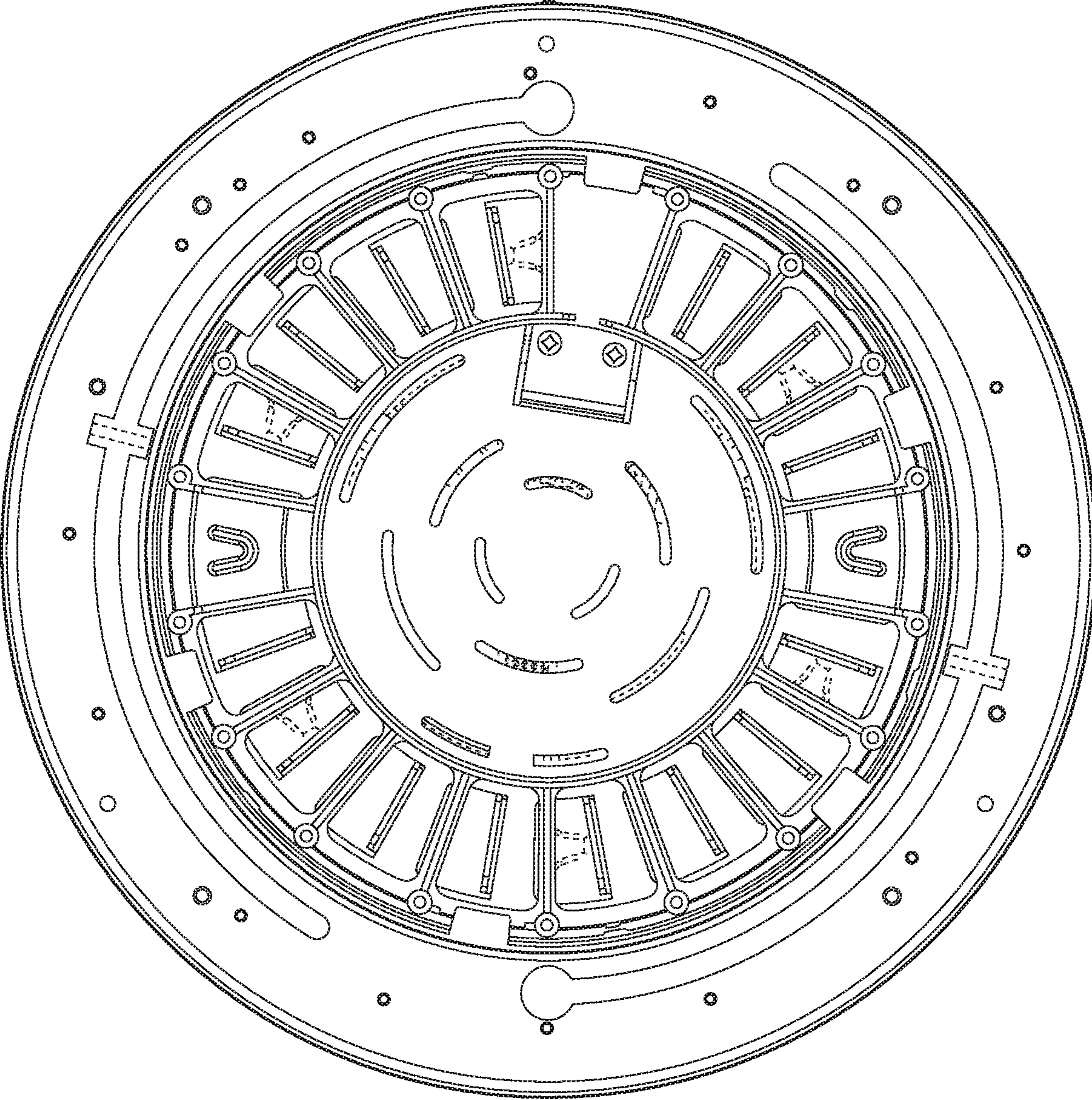


FIG. 3

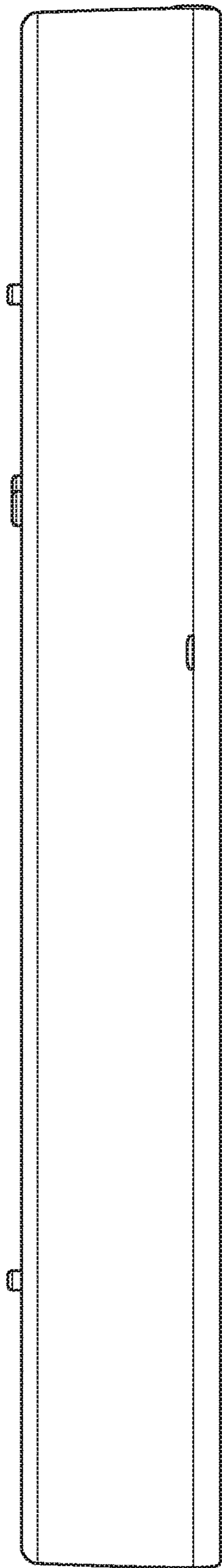


FIG. 4

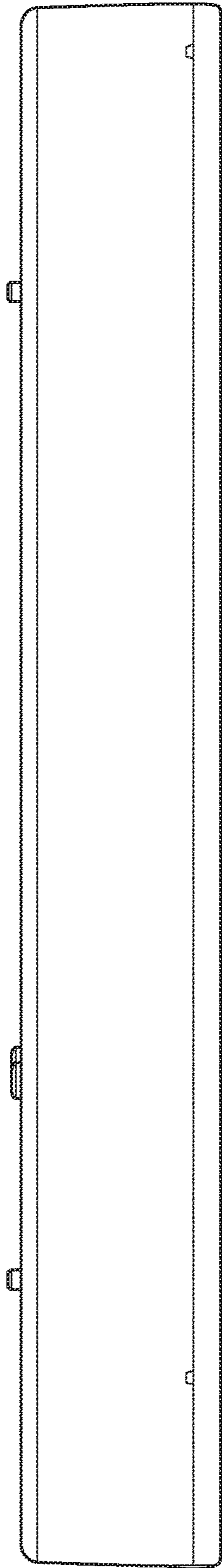


FIG. 5

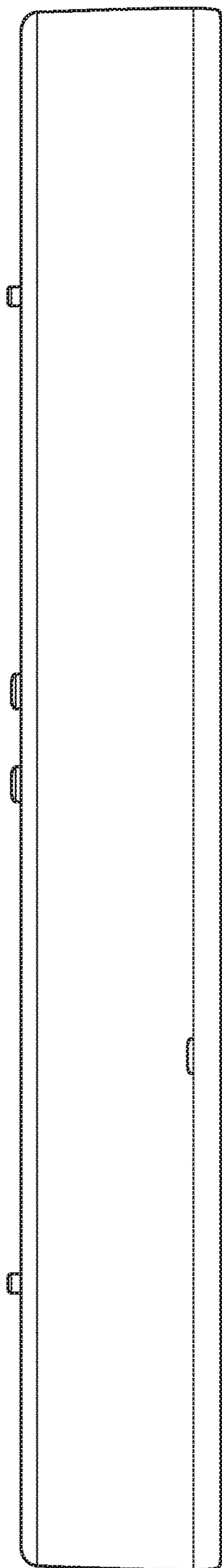


FIG. 6

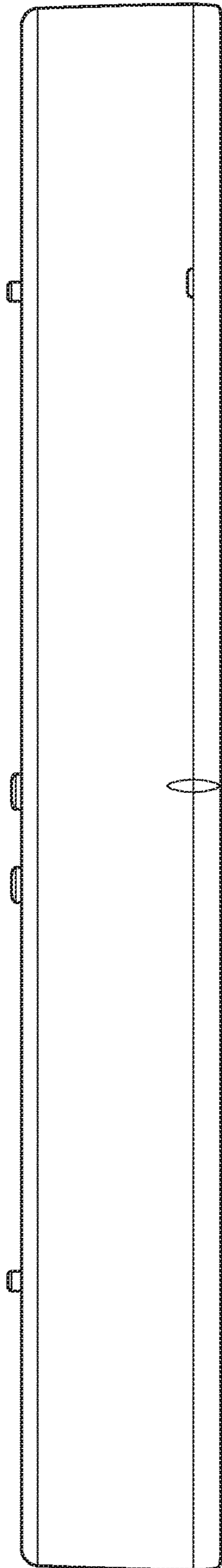


FIG. 7

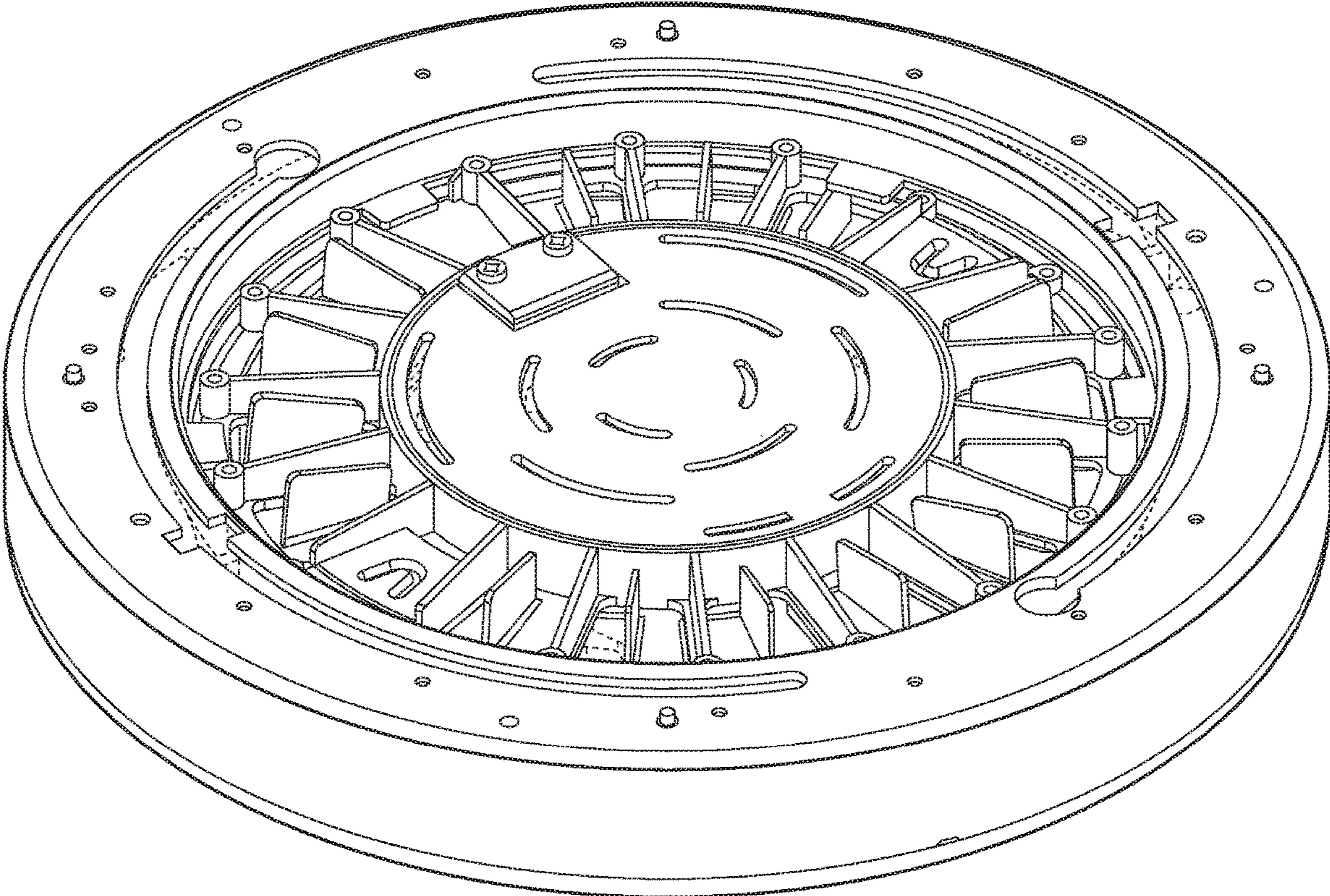


FIG. 8