

US00D875165S

(12) **United States Design Patent**
Moy et al.

(10) **Patent No.:** **US D875,165 S**

(45) **Date of Patent:** **** Feb. 11, 2020**

(54) **BASE FOR AN INTEGRATED CAMERA AND AUDIO INPUT/OUTPUT DEVICE**

(71) Applicant: **Honeywell International Inc.**,
Morristown, NJ (US)

(72) Inventors: **Brian Moy**, Arden Hills, MN (US);
Rajat Shail, Stevensville, MI (US)

(73) Assignee: **ADEMCO INC.**, Golden Valley, MN
(US)

(**) Term: **15 Years**

(21) Appl. No.: **29/637,310**

(22) Filed: **Feb. 15, 2018**

(51) **LOC (12) Cl.** **16-05**

(52) **U.S. Cl.**
USPC **D16/219**; D16/203

(58) **Field of Classification Search**
USPC D16/200, 202–205, 208, 214, 218, 219,
D16/242; 348/14.01–14.06, 143, 148,
348/151, 373–376; 396/419, 427, 535,
396/539–541
CPC G03B 17/02; G03B 19/04; G03B 17/56;
G03B 17/04; G03B 15/03; H04N 5/2251;
H04N 5/2252; H04N 5/2253; H04N
5/2254; H04N 2007/145; H04N 7/141;
H04N 7/142; H04N 7/147; H04N 7/148;
H04N 7/15; H04N 7/152
See application file for complete search history.

(56) **References Cited**

U.S. PATENT DOCUMENTS

D418,152 S * 12/1999 McBride D16/204
D518,080 S * 3/2006 Uehara D16/202

D696,329 S * 12/2013 Horiki D16/203
D709,118 S * 7/2014 Yu D16/203
D725,077 S * 3/2015 Wong D14/216
D727,388 S * 4/2015 Huang D16/214
D728,655 S * 5/2015 Daniel D16/203
D747,383 S * 1/2016 Li D16/203
D760,829 S * 7/2016 Pacurariu D16/202
D776,740 S * 1/2017 Okawa D16/203
D798,935 S * 10/2017 Dimitriadis D16/203
D813,923 S * 3/2018 Wieser D16/203
2009/0201413 A1* 8/2009 Fishman H04N 5/2252
348/373

* cited by examiner

Primary Examiner — Ramzi S Almatrahi

(74) *Attorney, Agent, or Firm* — Husch Blackwell LLP

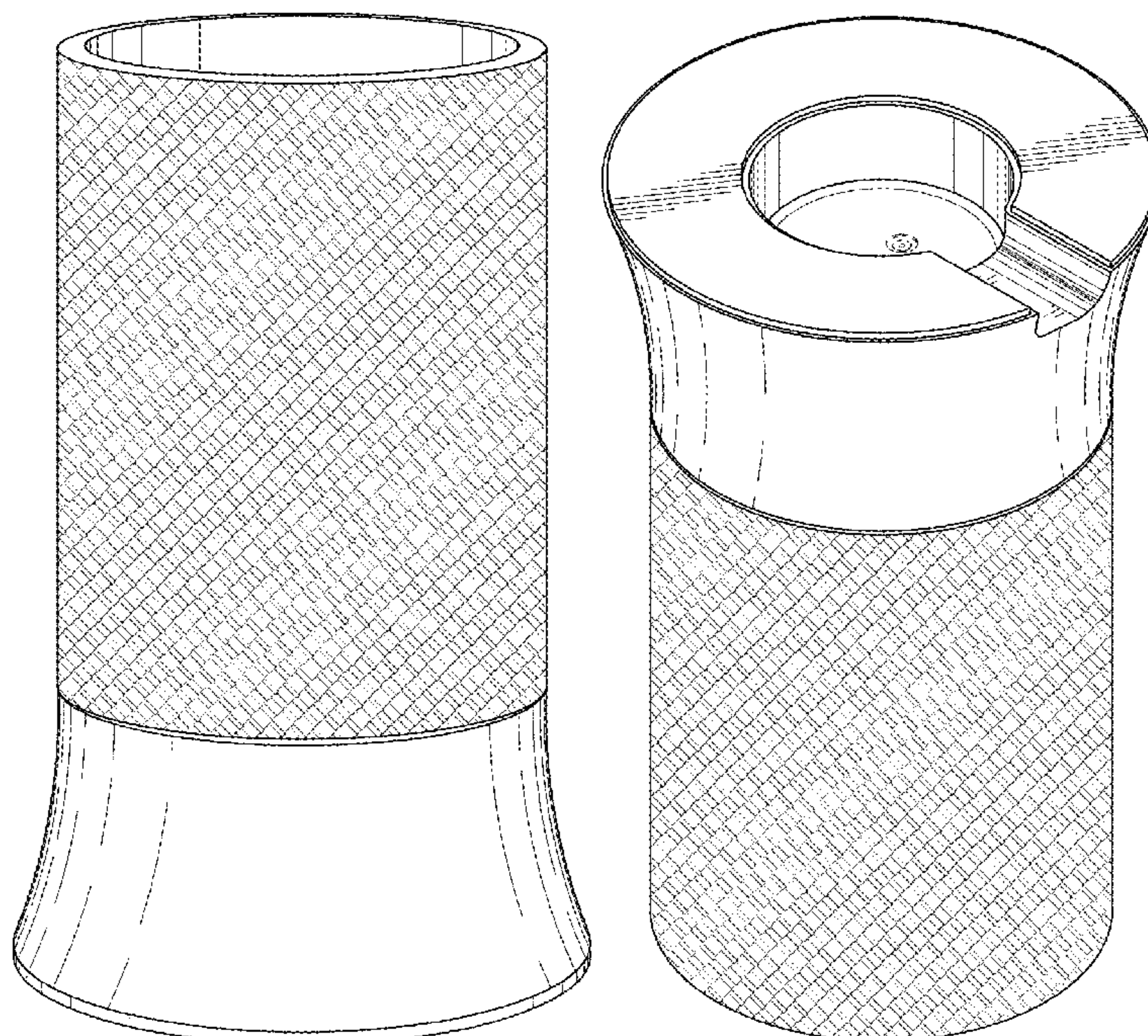
(57) **CLAIM**

The ornamental design for a base for an integrated camera and audio input/output device, as shown and described.

DESCRIPTION

FIG. 1 is a perspective view of a base for an integrated camera and audio input/output device.
FIG. 2 is a front elevation view thereof.
FIG. 3 is a rear elevation view thereof.
FIG. 4 is a left side elevation view thereof, the right side elevation view being a mirror-image of the left side elevation.
FIG. 5 is a top plan view thereof.
FIG. 6 is a bottom plan view thereof; and,
FIG. 7 is a bottom perspective view thereof.
The broken lines depict portions of the base for an integrated camera and audio input/output device in which the design is embodied that form no part of the claimed design.

1 Claim, 7 Drawing Sheets



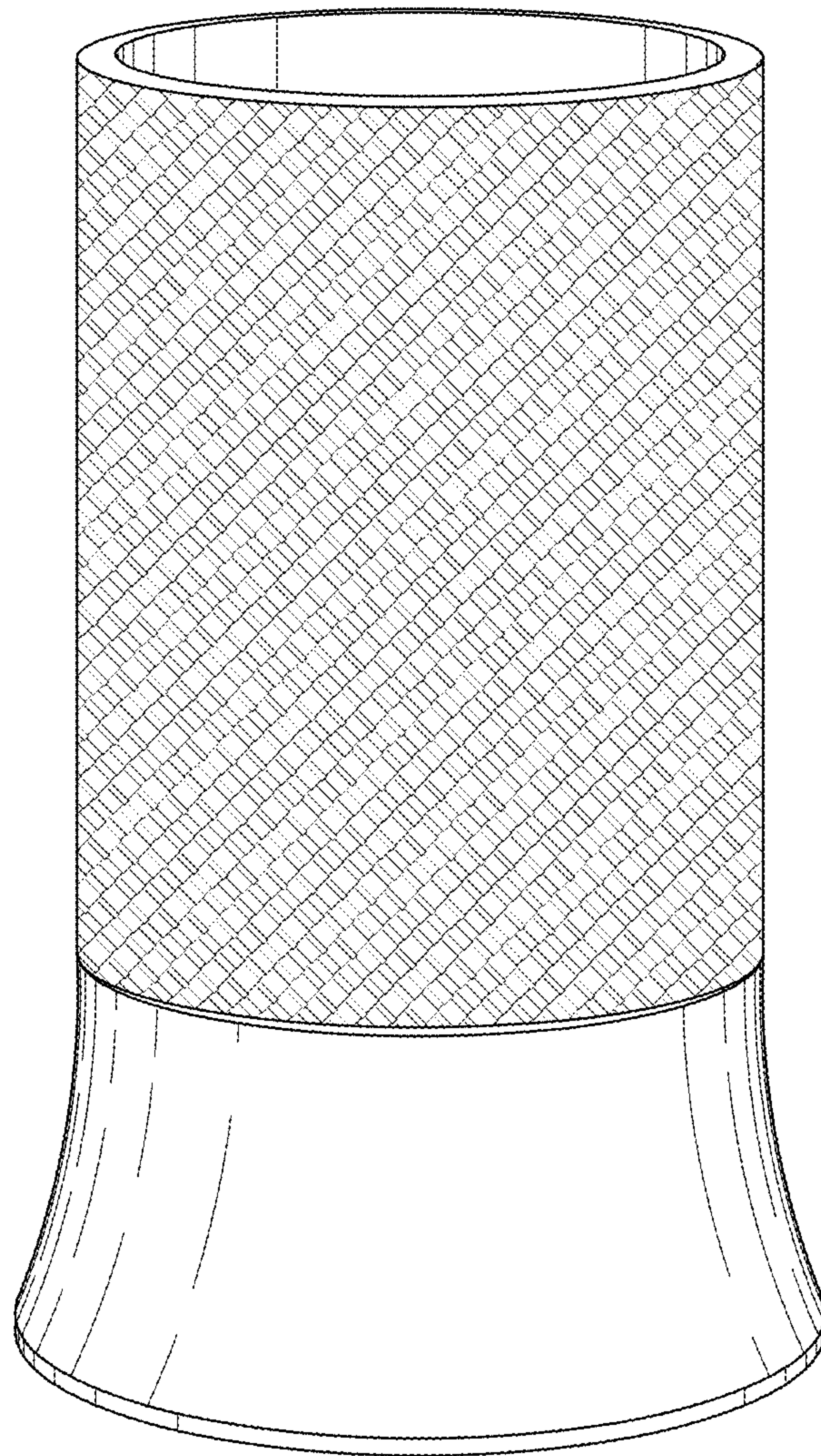


FIG. 1

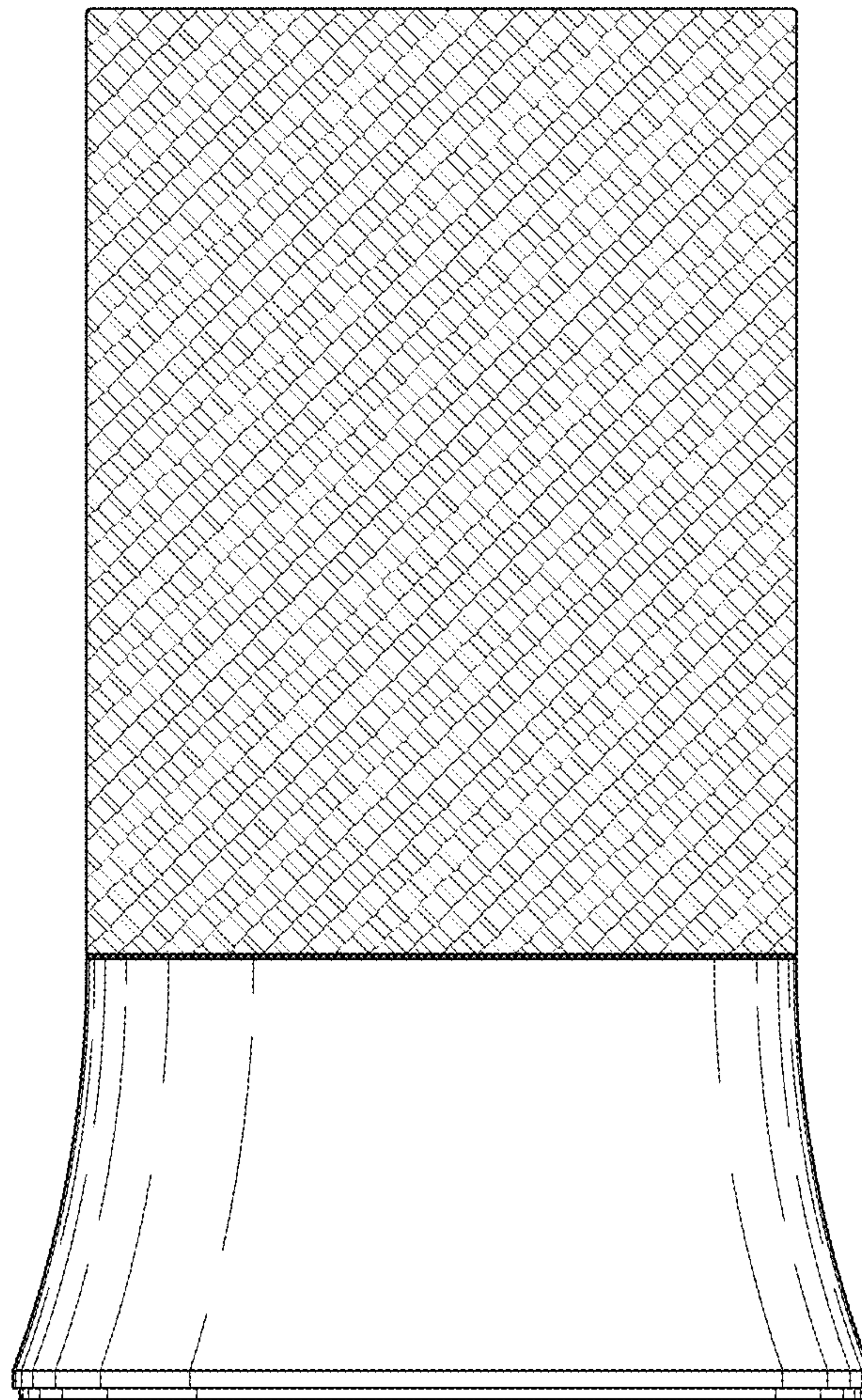


FIG. 2

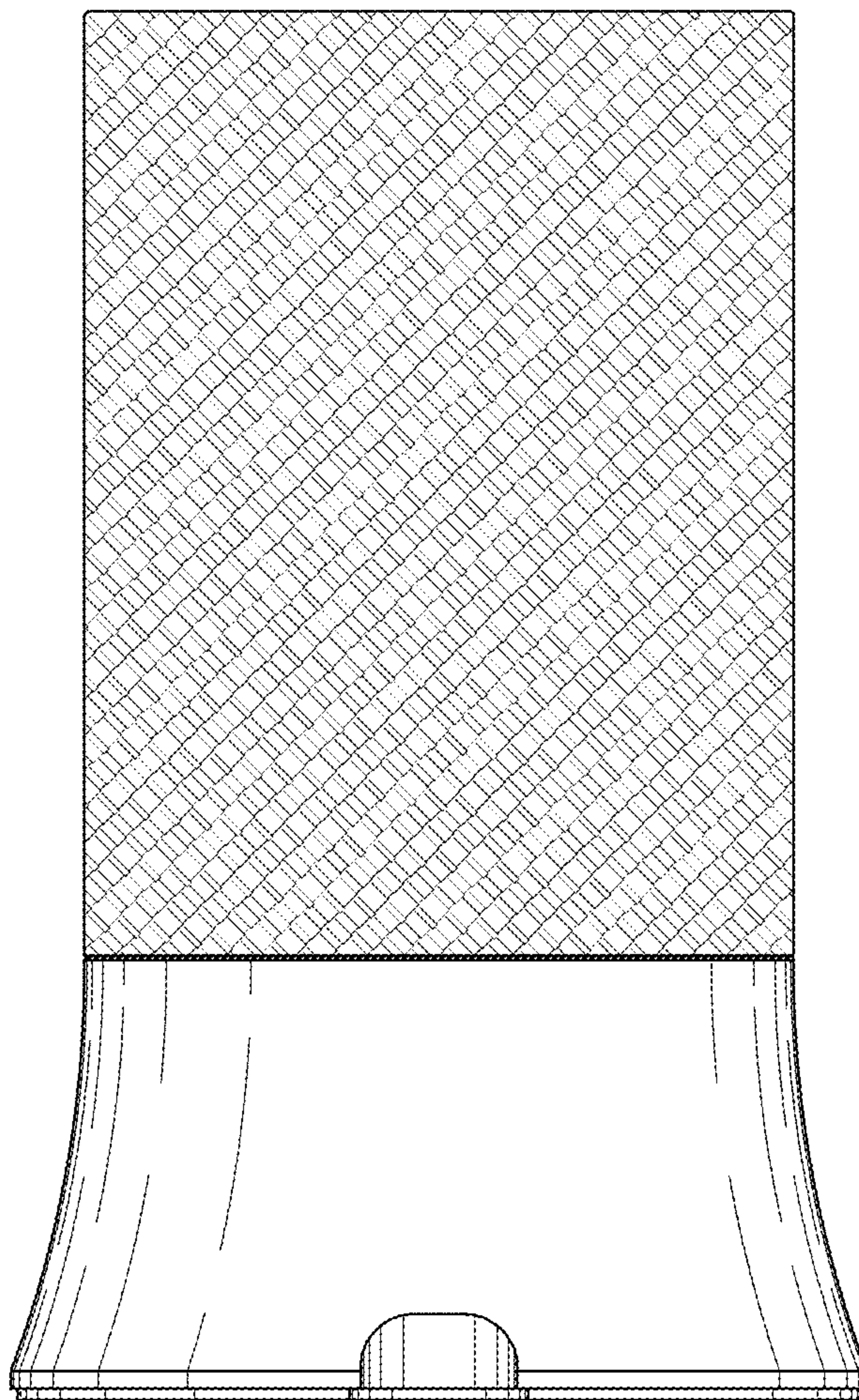


FIG. 3

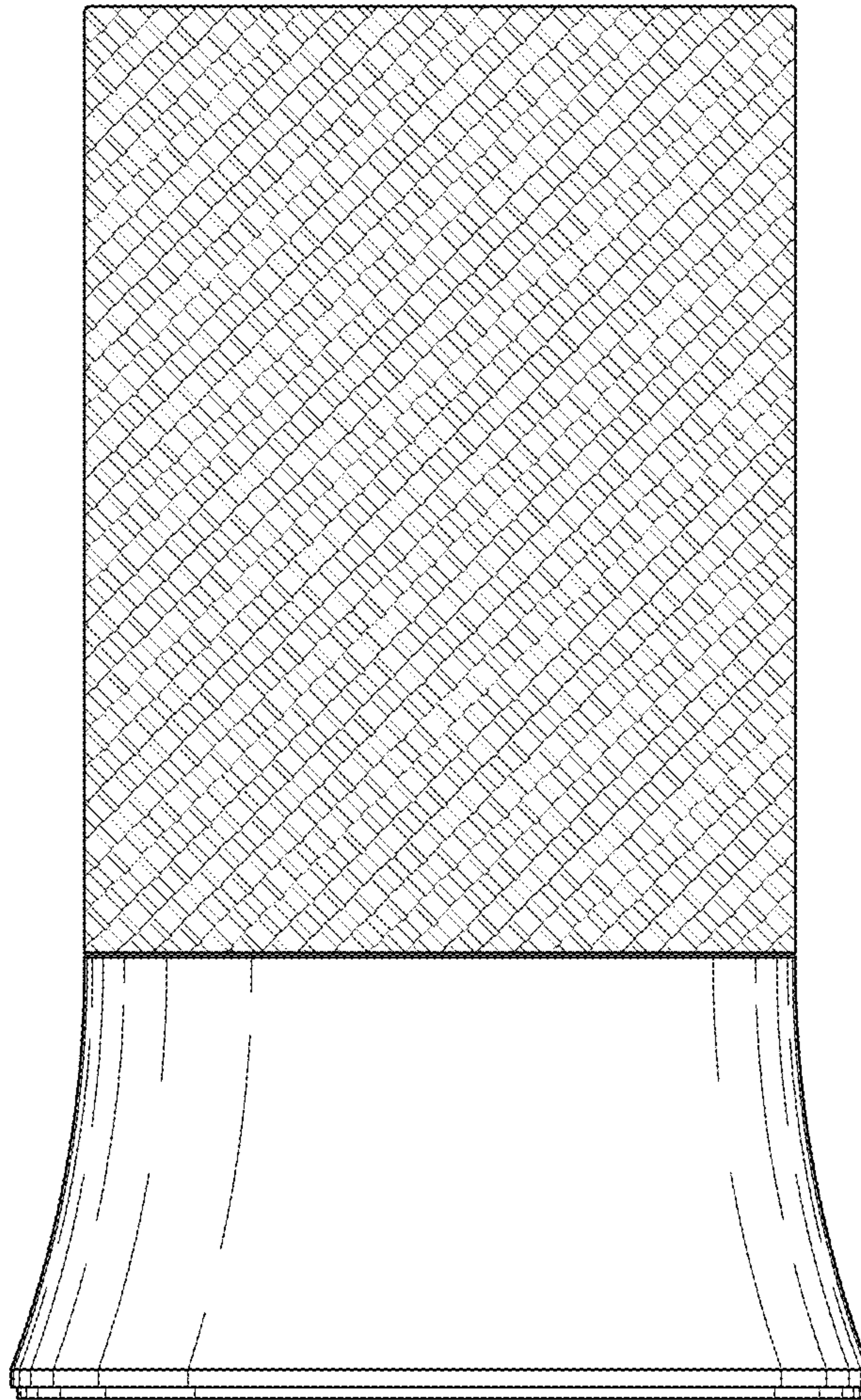


FIG. 4

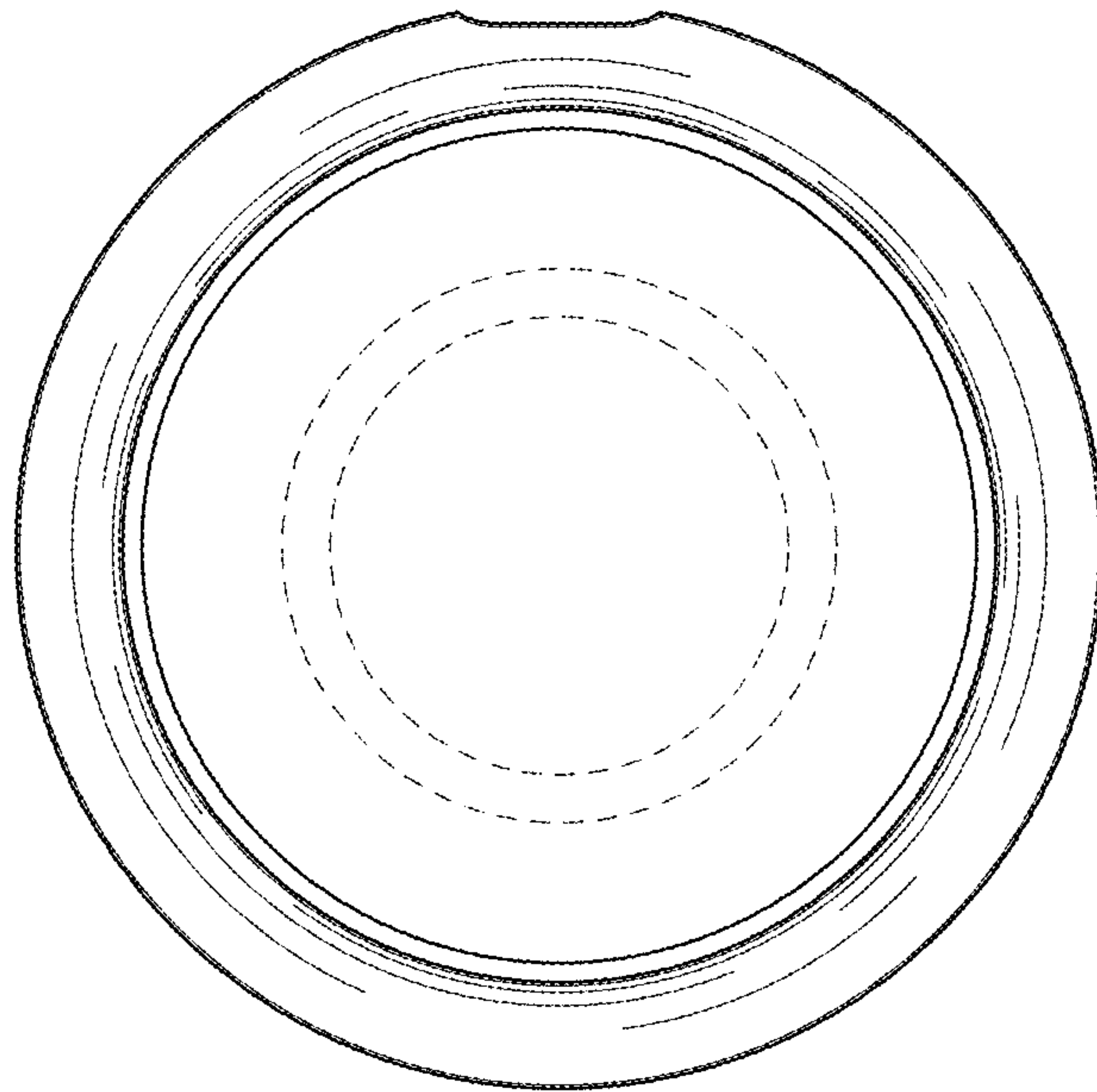


FIG. 5

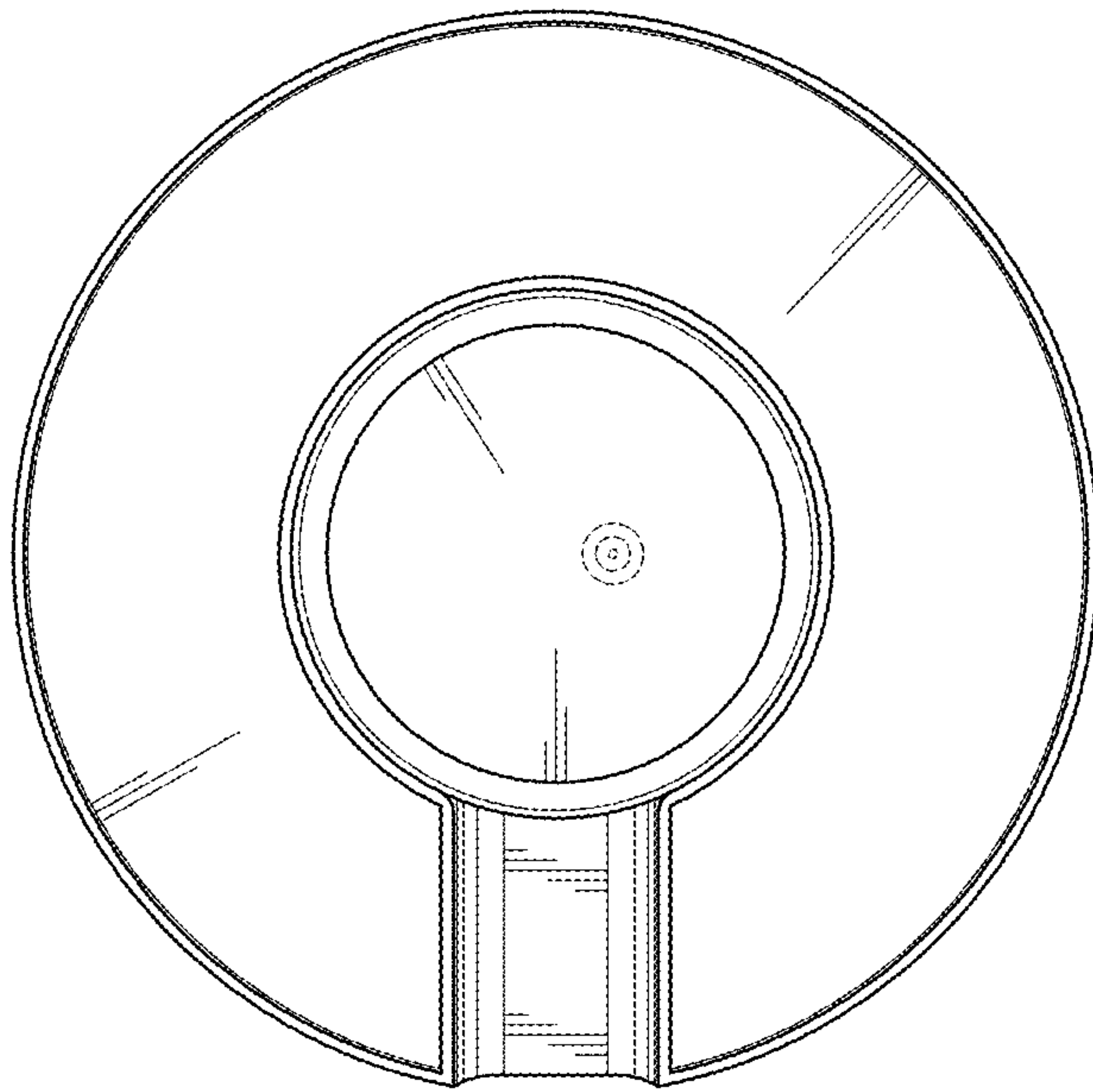


FIG. 6

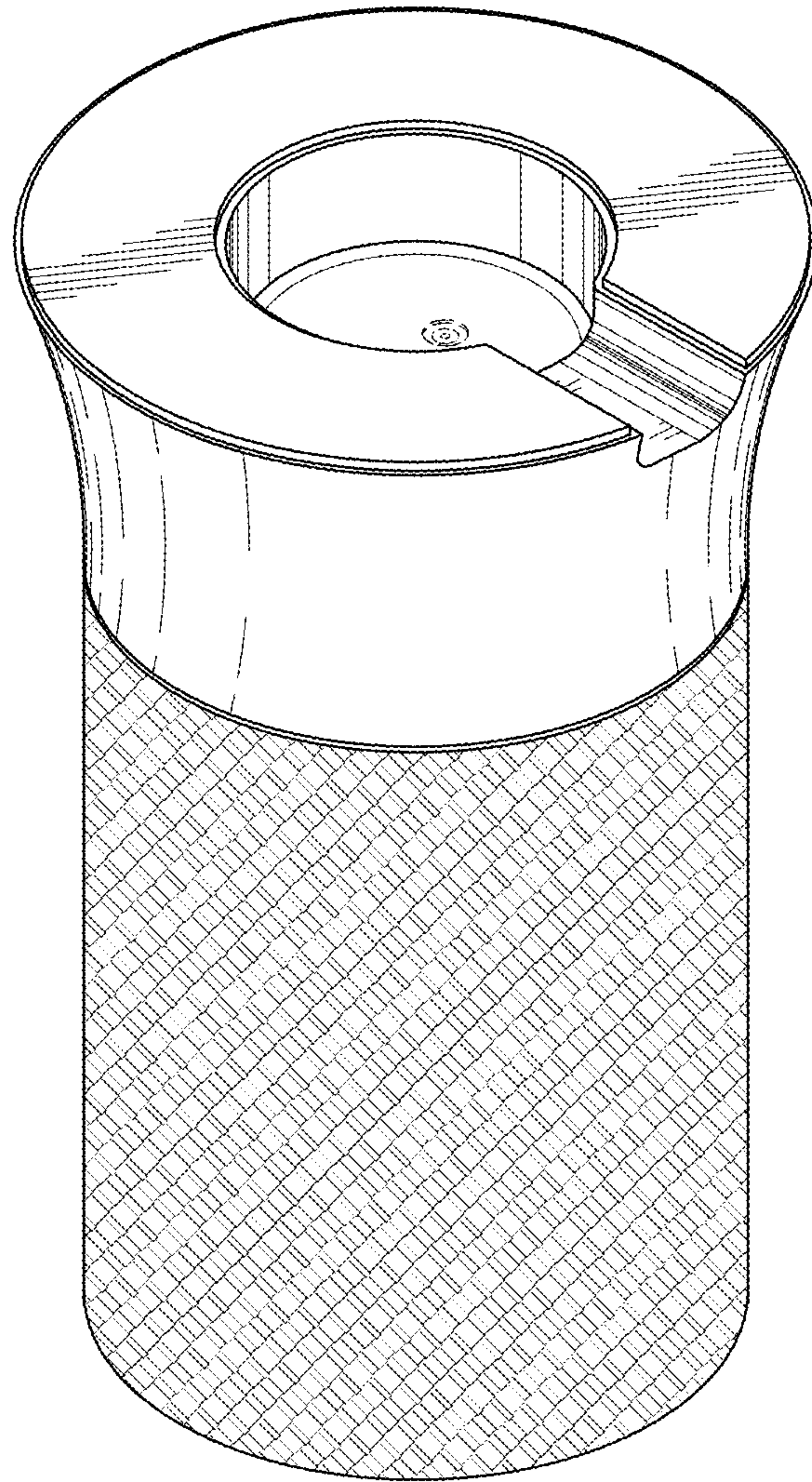


FIG. 7