



US00D875163S

(12) **United States Design Patent**
Fujimoto

(10) **Patent No.:** **US D875,163 S**

(45) **Date of Patent:** **** Feb. 11, 2020**

(54) **CAMERA**

(71) Applicant: **FUJIFILM Corporation**, Tokyo (JP)

(72) Inventor: **Shinichi Fujimoto**, Tokyo (JP)

(73) Assignee: **FUJIFILM Corporation**, Minato-Ku,
Tokyo (JP)

(**) Term: **15 Years**

(21) Appl. No.: **29/613,006**

(22) Filed: **Aug. 7, 2017**

(30) **Foreign Application Priority Data**

Feb. 10, 2017 (JP) 2017-002490

(51) **LOC (12) Cl.** **16-05**

(52) **U.S. Cl.**
USPC **D16/219**

(58) **Field of Classification Search**
USPC D16/200, 202–206, 208, 218, 219, 242;
348/164, 347, 373–376; 396/535,
396/539–541; 250/330, 332
CPC G03B 15/03; G03B 17/02; G03B 17/04;
G03B 17/56; G03B 19/04; H04N 5/2251;
H04N 5/2252; H04N 5/2253; H04N
5/2254; H04N 2101/00; H04N 5/33;
H04N 5/332

See application file for complete search history.

(56) **References Cited**

U.S. PATENT DOCUMENTS

D692,939 S * 11/2013 Huang D16/218
D697,122 S * 1/2014 Ikegame D16/218
D709,543 S * 7/2014 Isozaki D16/218
D733,780 S * 7/2015 Chen D16/202
D744,572 S * 12/2015 Tabuchi D16/218
D754,234 S * 4/2016 Lee D16/218
D754,769 S * 4/2016 Patulski D16/202
D755,274 S * 5/2016 Lee D16/218

D764,559 S * 8/2016 Luo D16/202
D779,577 S * 2/2017 Ikegame D16/211
D781,362 S * 3/2017 Ikegame D16/211

(Continued)

Primary Examiner — Ramzi S Almatrahi

(74) *Attorney, Agent, or Firm* — Sughrue Mion, PLLC

(57) **CLAIM**

The ornamental design for a camera, as shown and described.

DESCRIPTION

FIG. 1 is a top, rear and right side perspective view of a camera showing my new design;

FIG. 2 is a top, rear and left side perspective view thereof;
FIG. 3 is a bottom, rear and right side perspective view thereof;

FIG. 4 is a bottom, rear and left side perspective view thereof;

FIG. 5 is a front elevational view thereof;

FIG. 6 is a rear elevational view thereof;

FIG. 7 is a top plan view thereof;

FIG. 8 is a bottom plan view thereof;

FIG. 9 is a left side elevational view thereof;

FIG. 10 is a right side elevational view thereof;

FIG. 11 is an enlarged rear elevational view of a loading chamber;

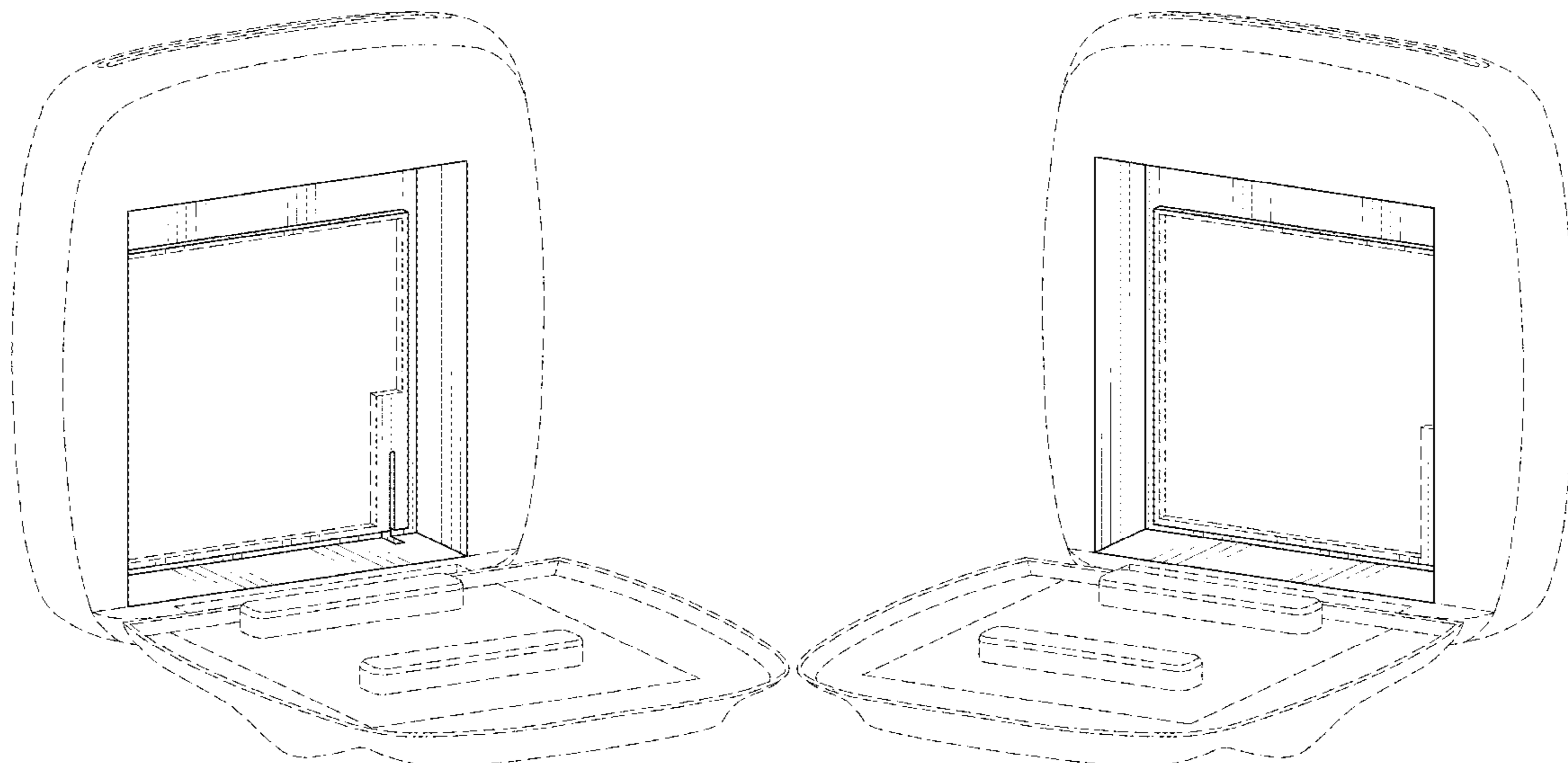
FIG. 12 is a cross-sectional view thereof taken along lines XII-XII of FIG. 6, in which an internal structure thereof is not shown;

FIG. 13 is a cross-sectional view thereof taken along lines XIII-XIII of FIG. 6, in which an internal structure thereof is not shown; and,

FIG. 14 is a cross-sectional view thereof taken along lines XIV-XIV of FIG. 6, in which an internal structure thereof is not shown.

The broken lines depict portions of the camera in which the design is embodied that form no part of the claimed design.

1 Claim, 14 Drawing Sheets



(56)

References Cited

U.S. PATENT DOCUMENTS

D781,363 S * 3/2017 Ikegame D16/211
D792,497 S * 7/2017 Oliveira D16/208

* cited by examiner

FIG. 1

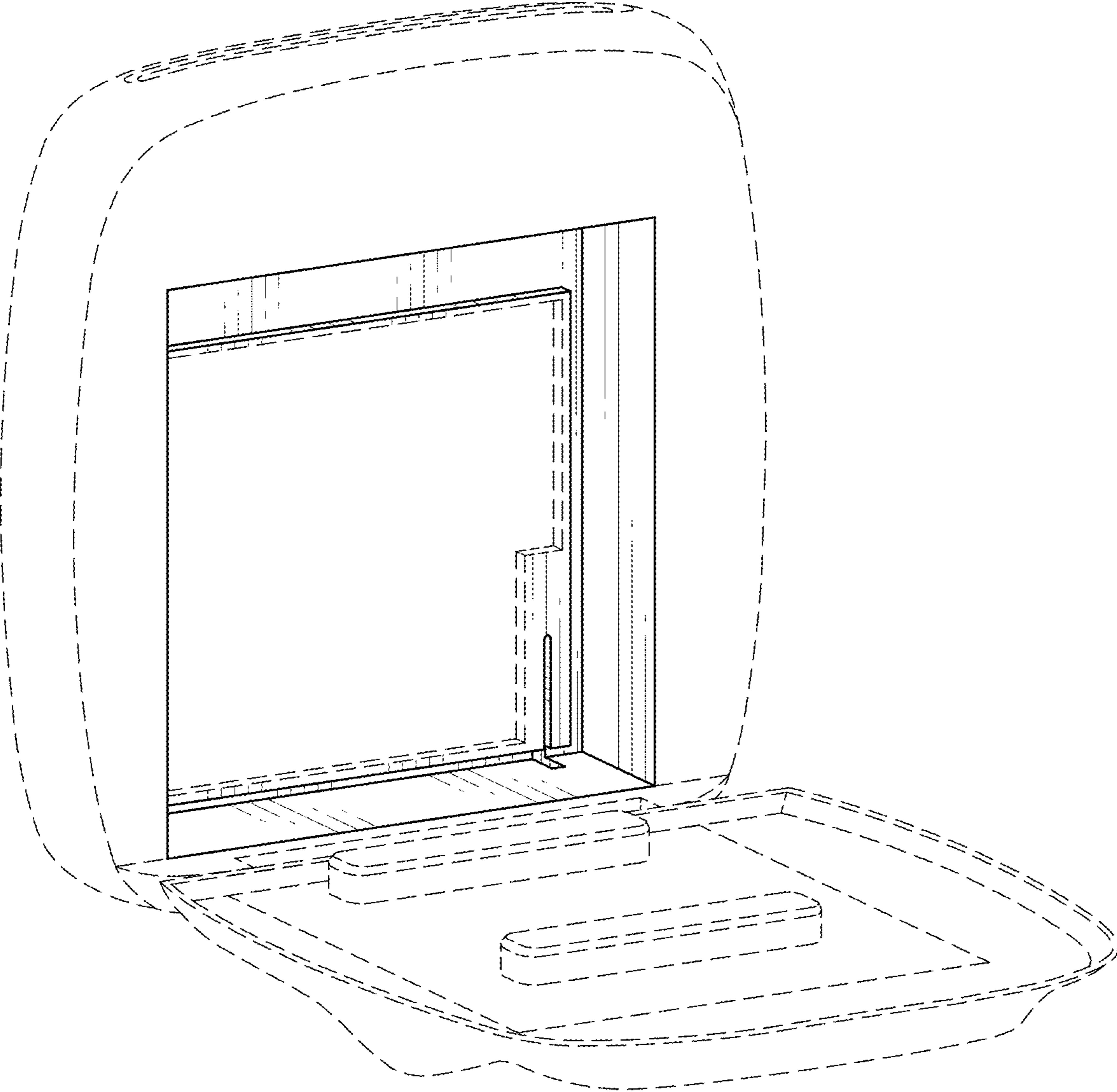


FIG.2

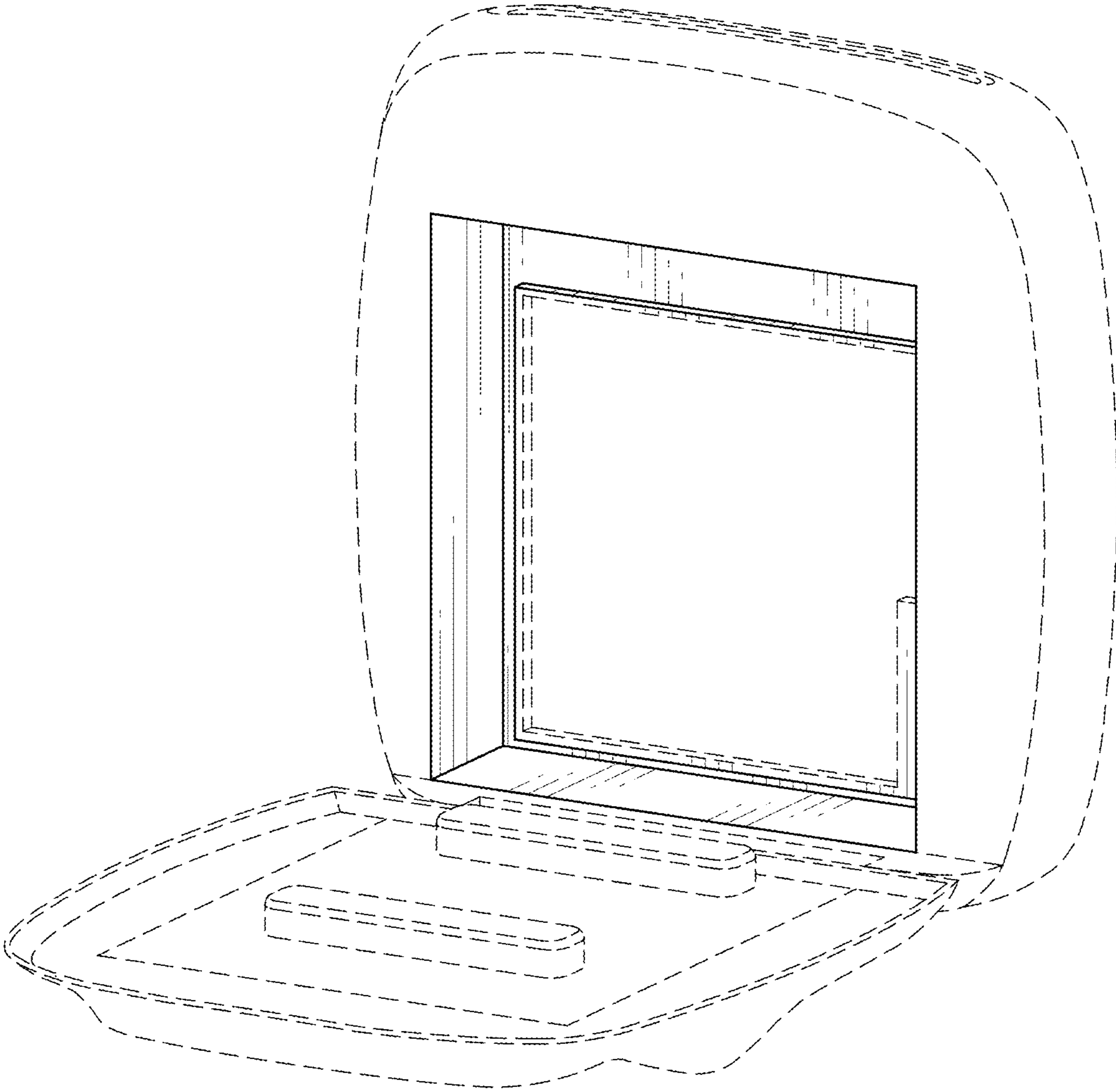


FIG.3

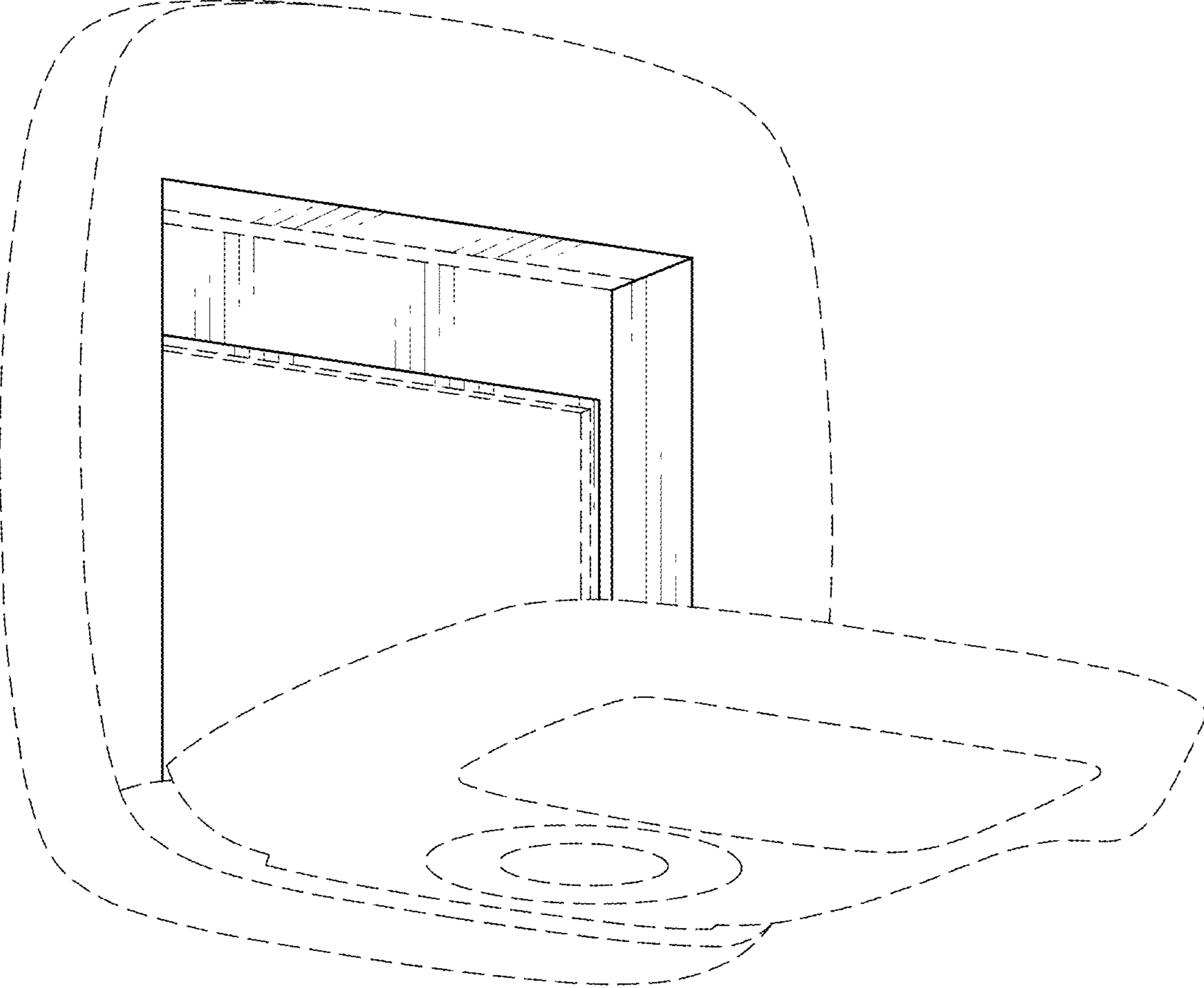


FIG.4

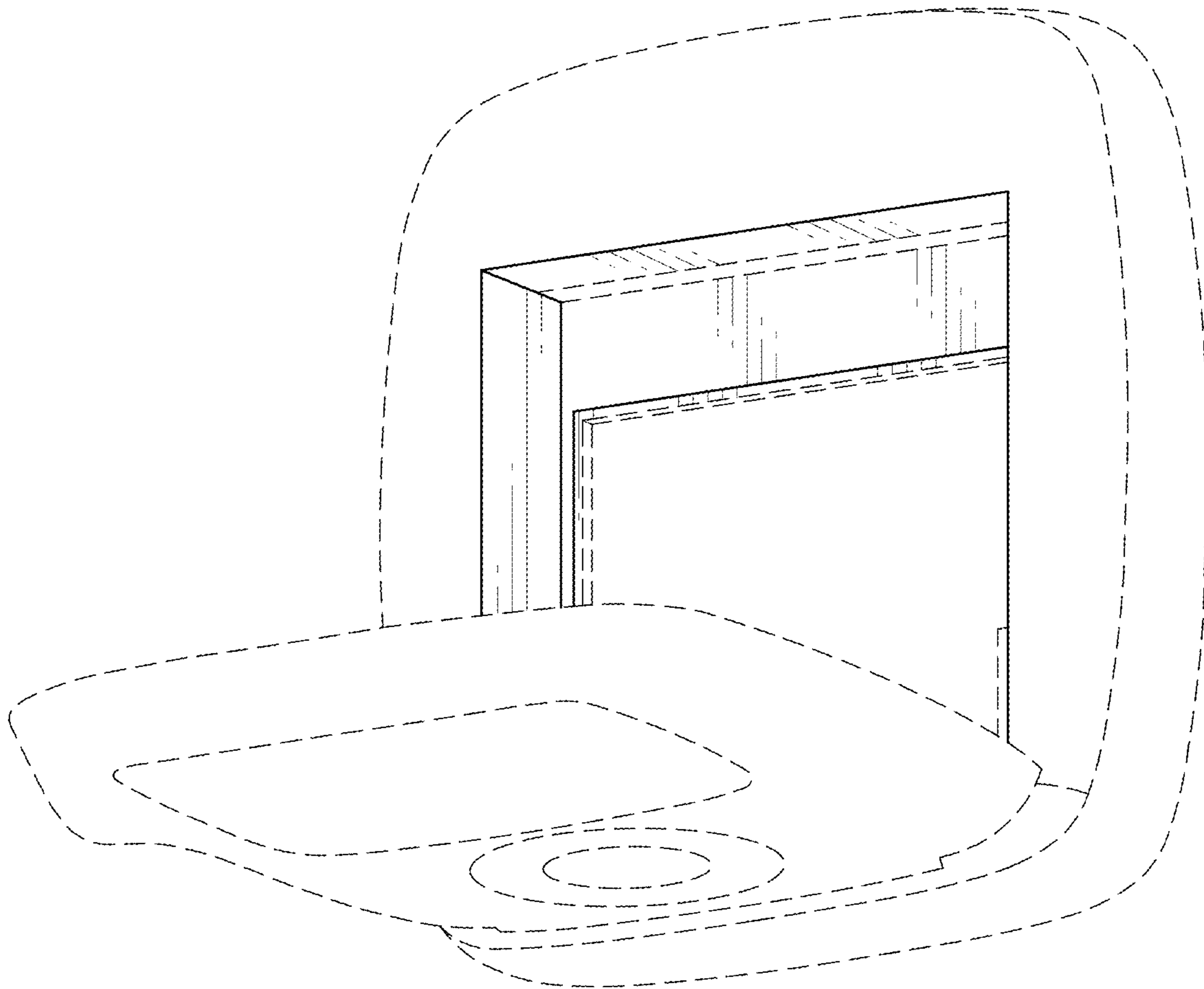


FIG.5

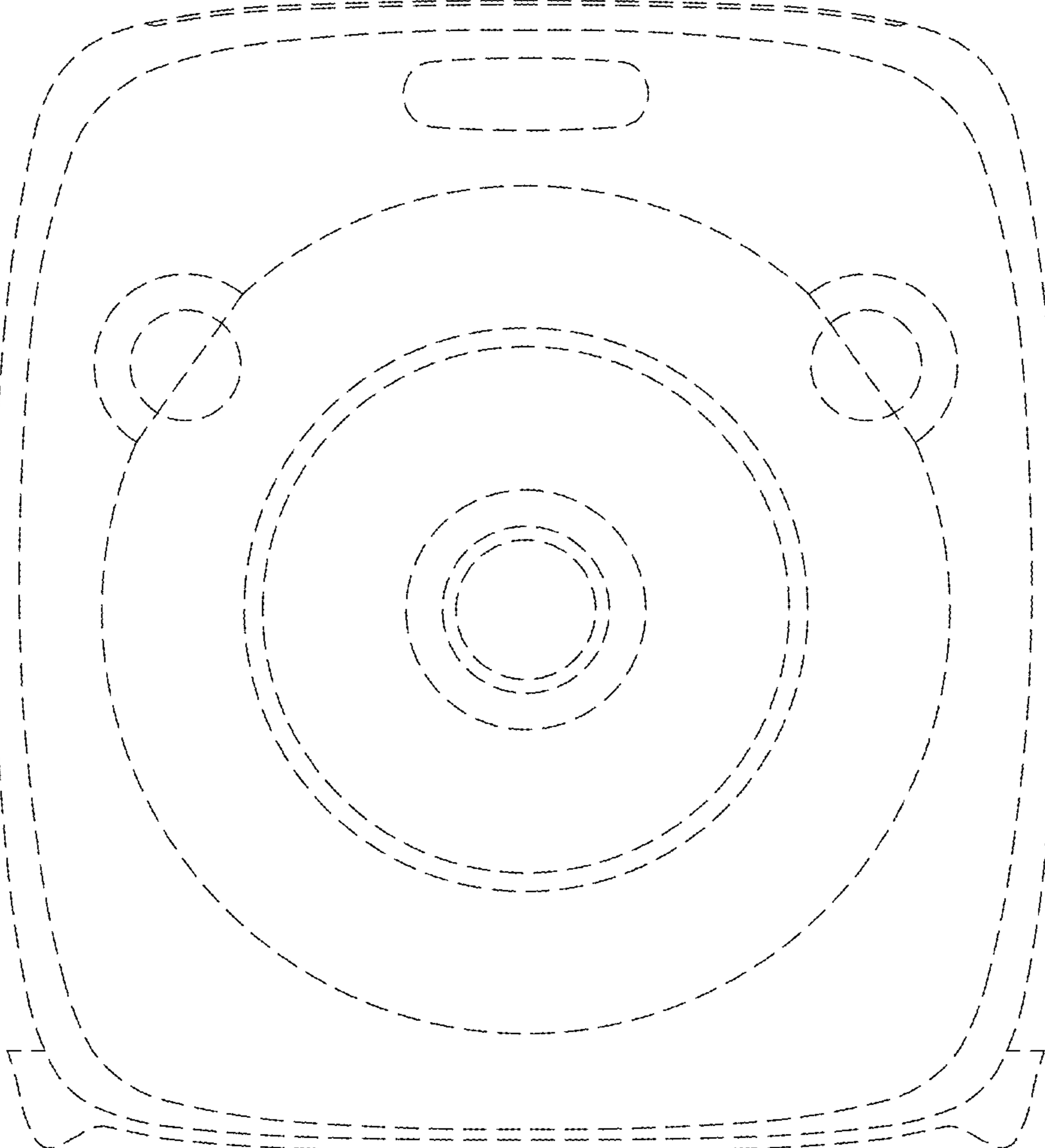


FIG.6

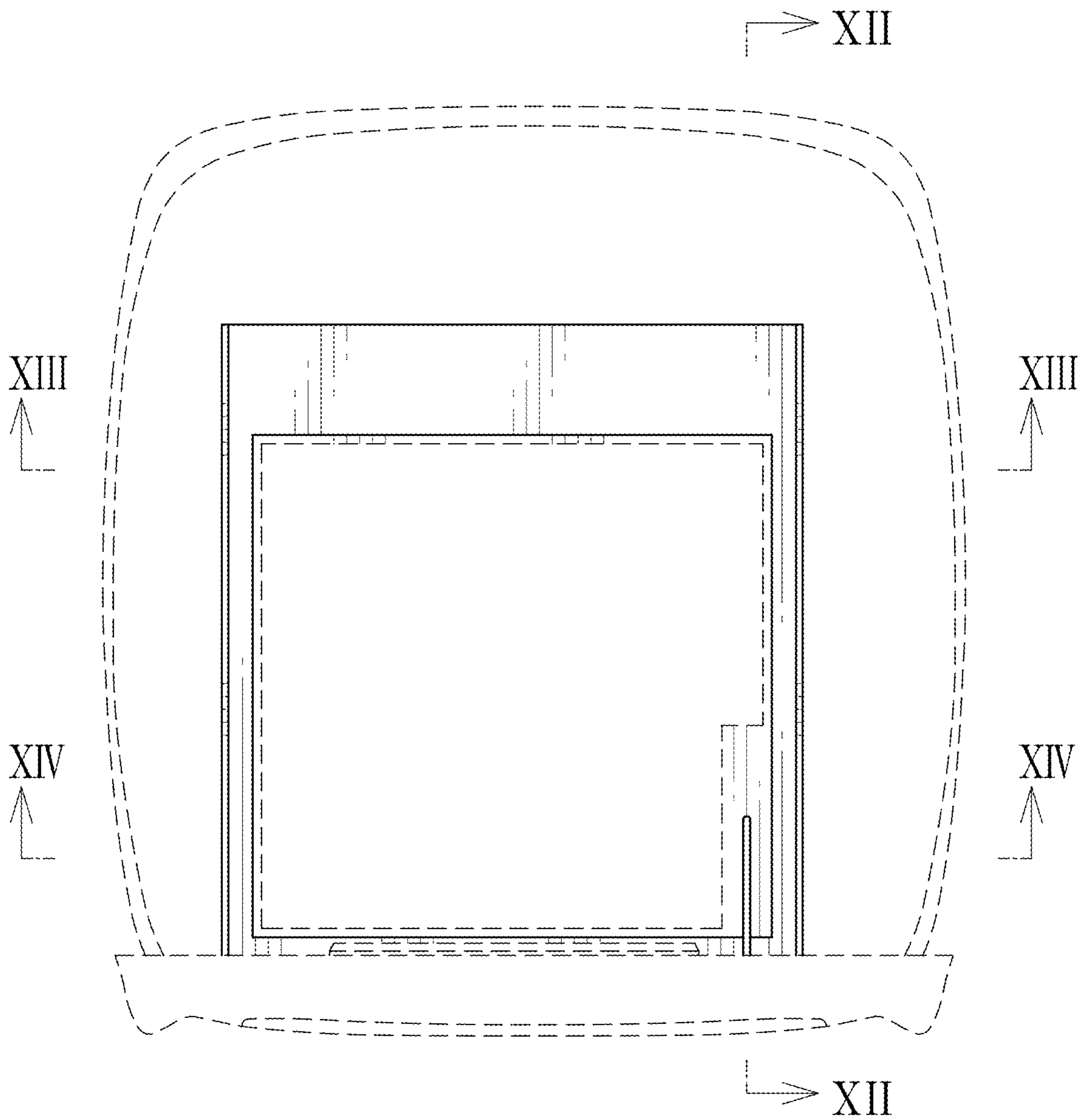


FIG. 7

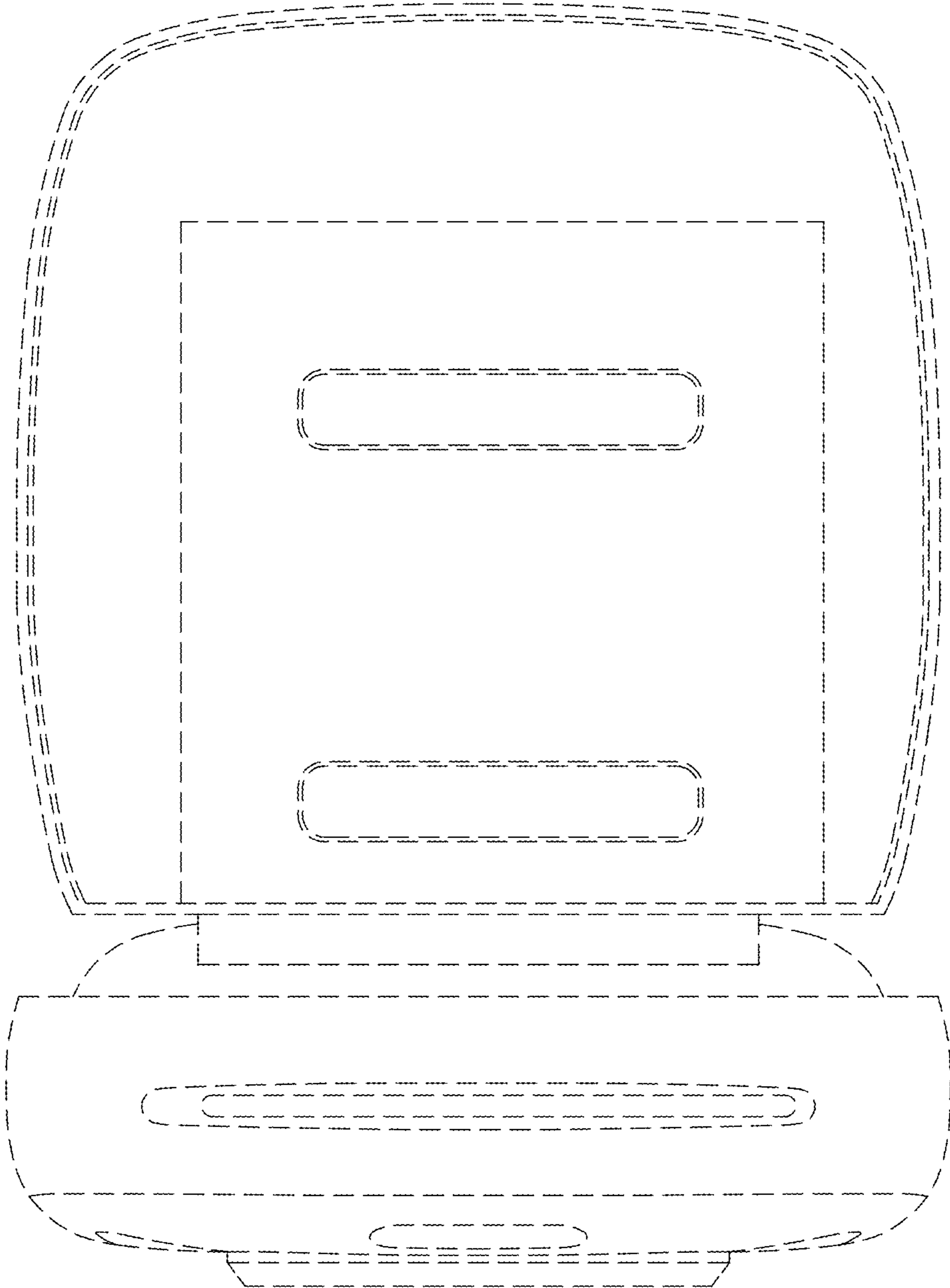


FIG.8

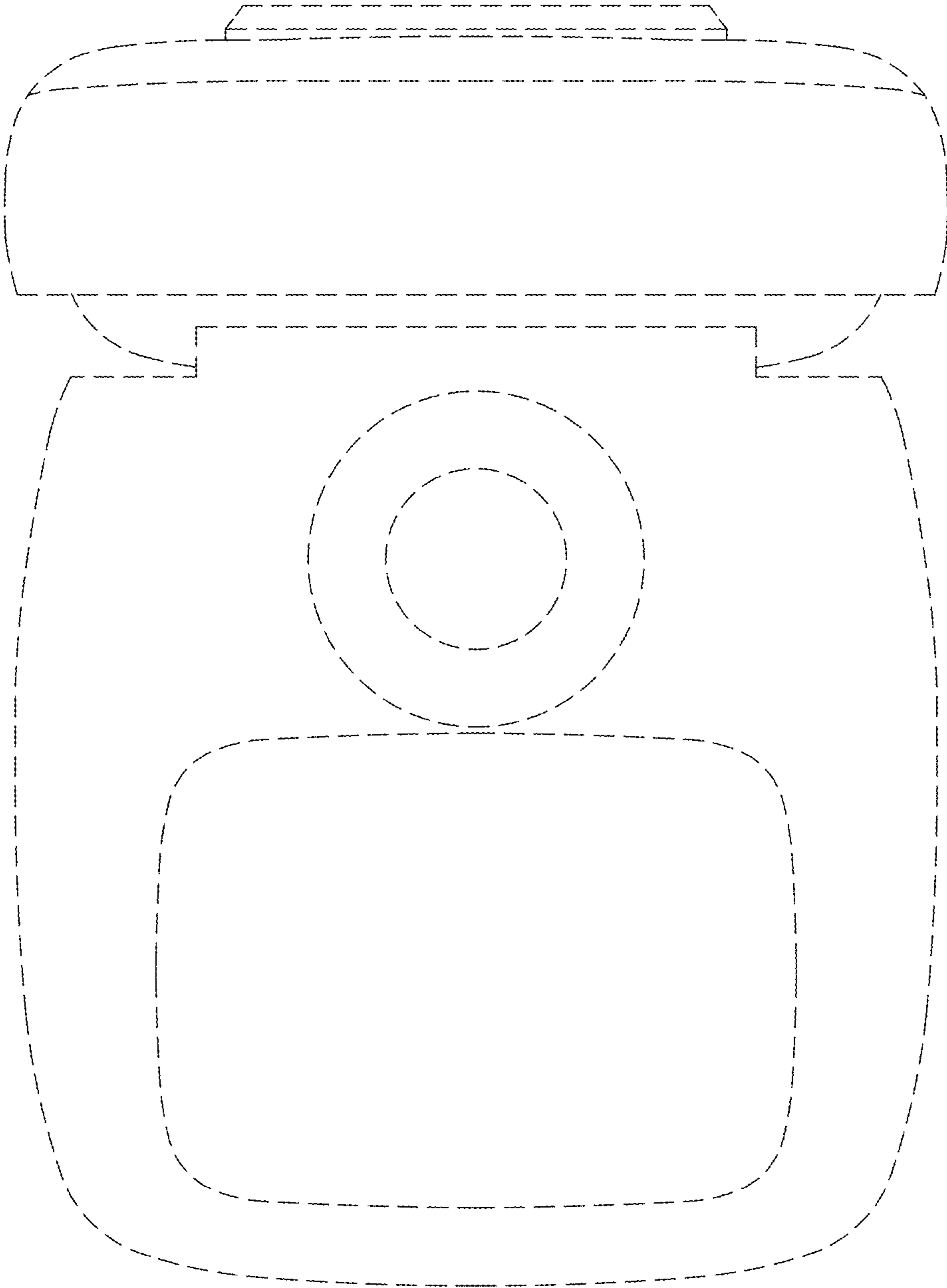


FIG. 9

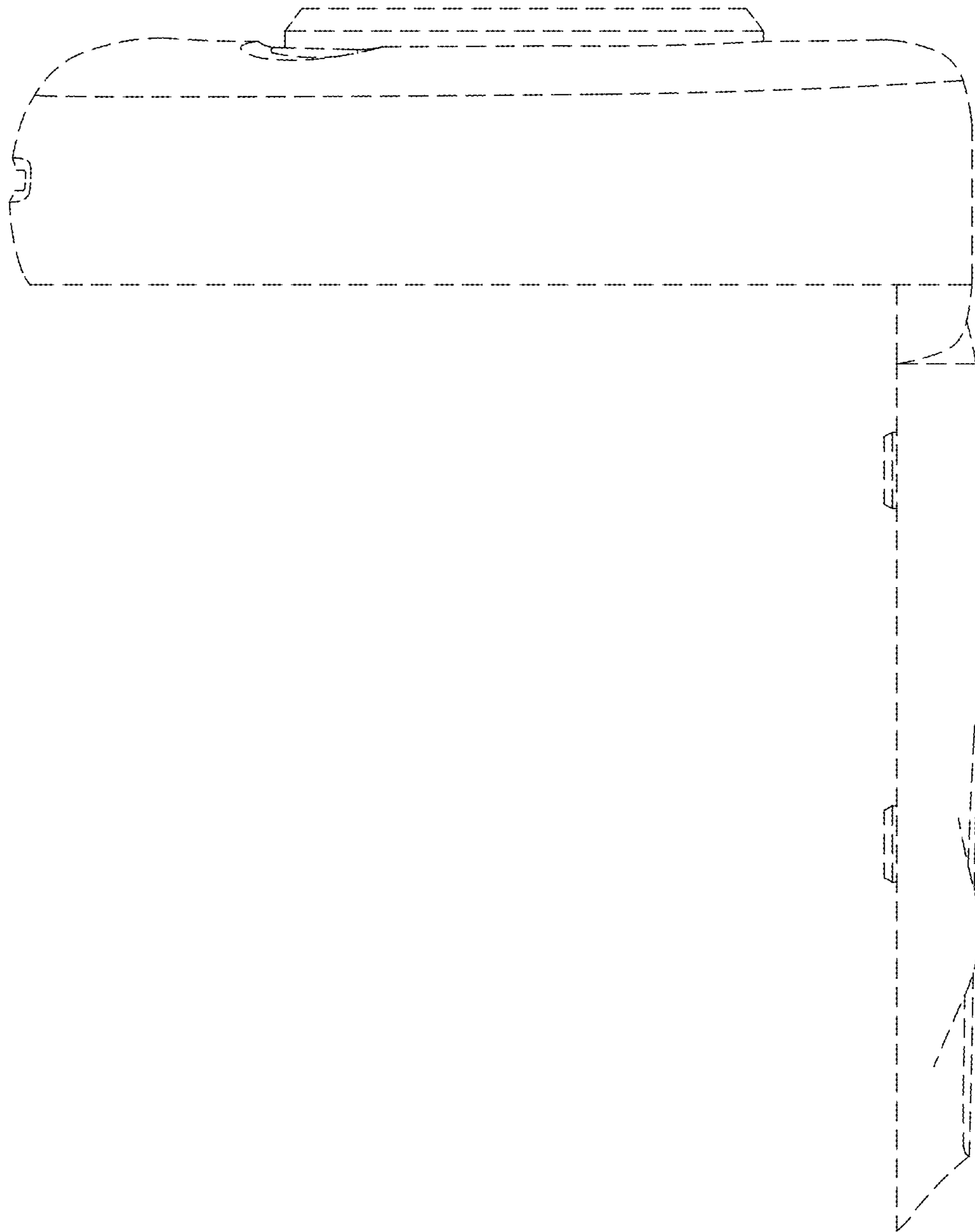


FIG.10

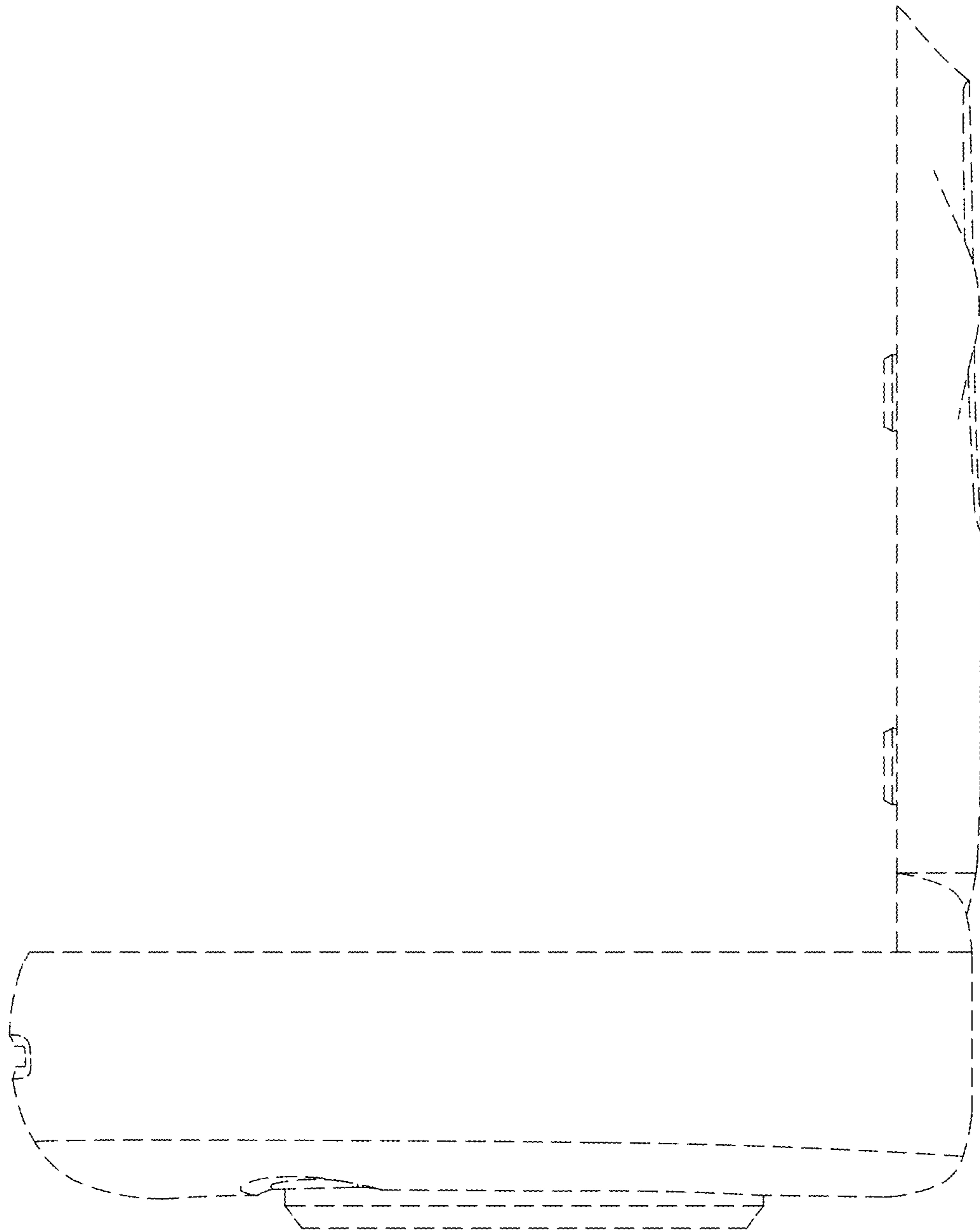


FIG. 11

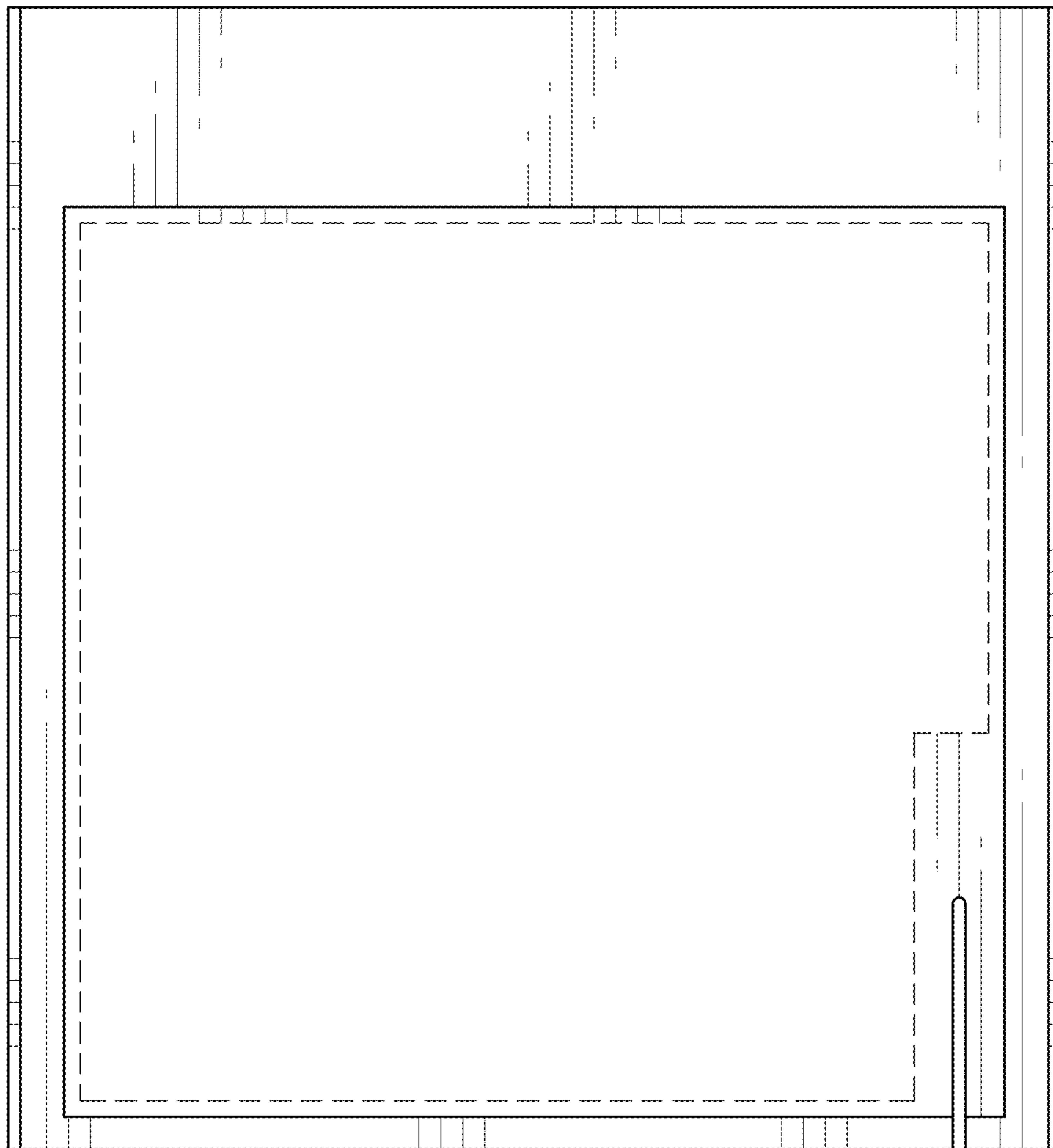


FIG.12

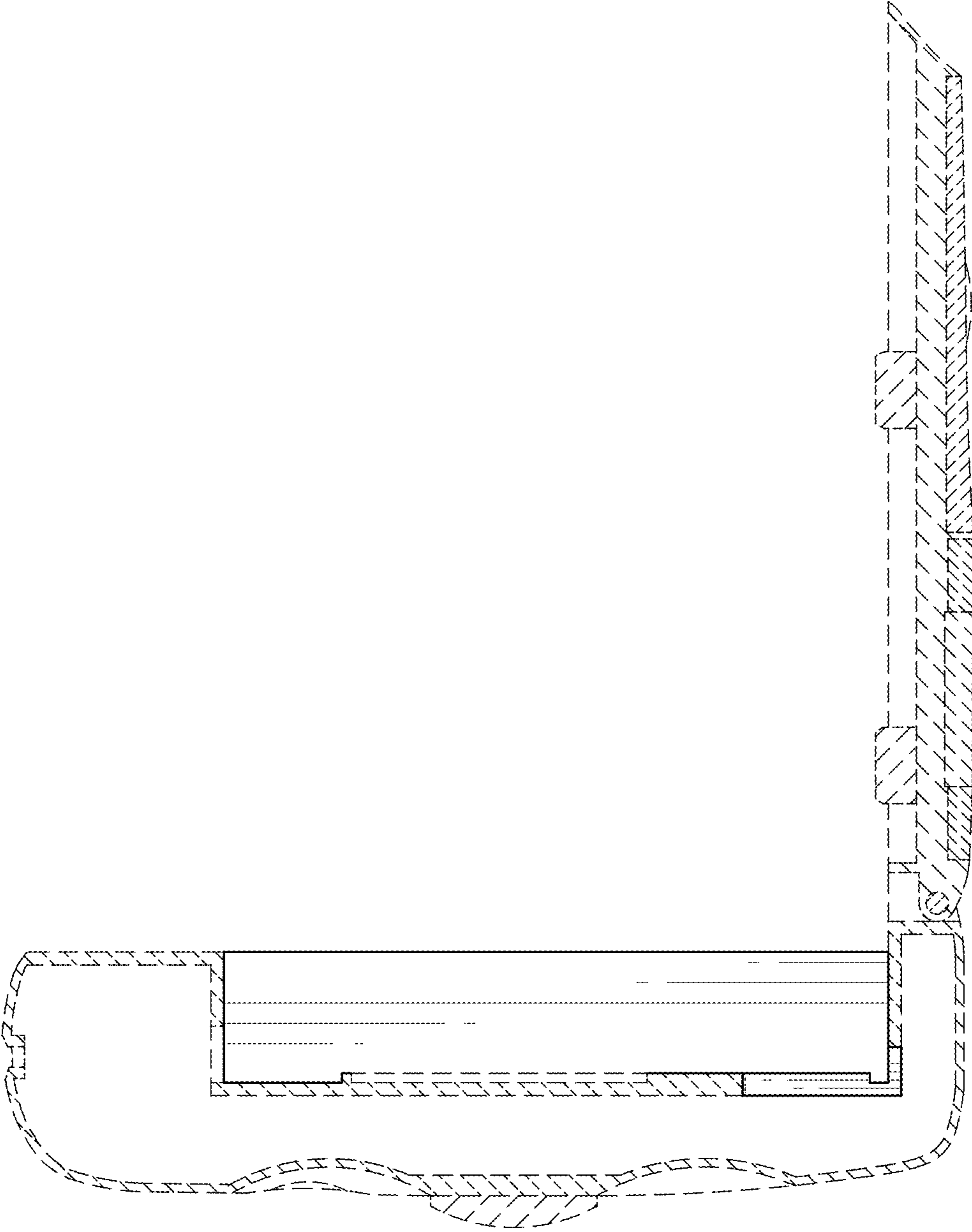


FIG.13

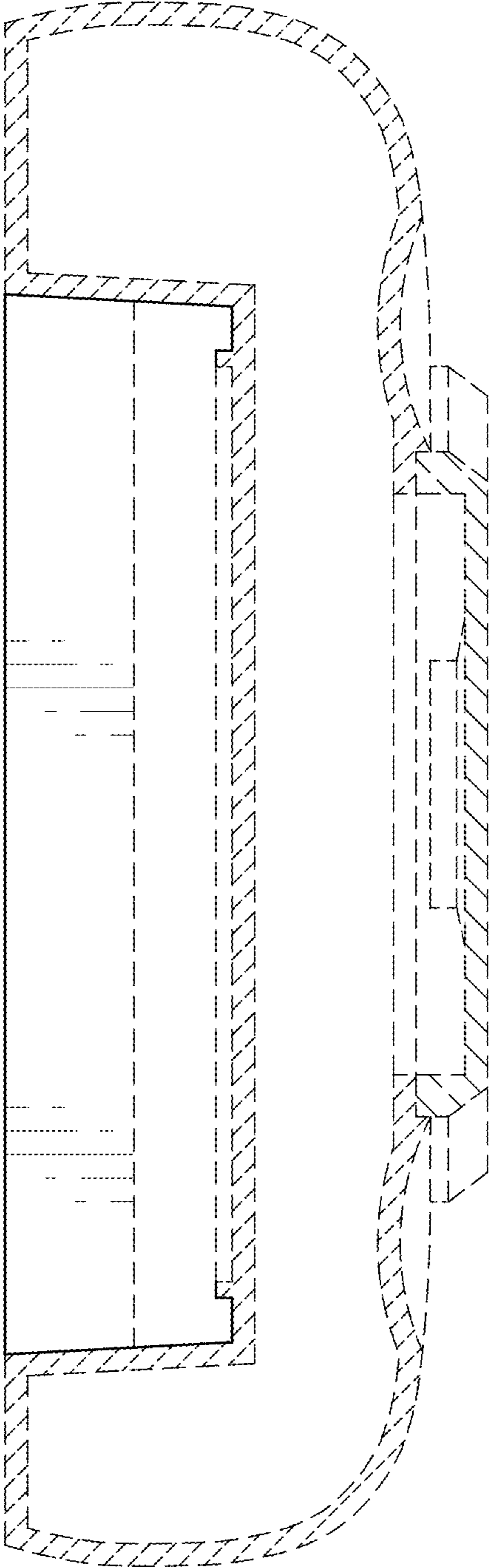


FIG. 14

