



US00D875162S

(12) **United States Design Patent**
Yu

(10) **Patent No.:** **US D875,162 S**

(45) **Date of Patent:** **** Feb. 11, 2020**

(54) **HUNT CAMERA**

(71) Applicant: **Shenzhen Longzhiyuan Technology Co., Ltd.**, Shenzhen (CN)

(72) Inventor: **Mengchu Yu**, Shenzhen (CN)

(73) Assignee: **SHENZHEN LONGZHIYUAN TECHNOLOGY CO., LTD.**, Shenzhen (CN)

(**) Term: **15 Years**

(21) Appl. No.: **29/657,161**

(22) Filed: **Jul. 19, 2018**

(51) **LOC (12) Cl.** **16-05**

(52) **U.S. Cl.**
USPC **D16/218**

(58) **Field of Classification Search**
USPC D16/200, 202, 203, 204, 205, 206, 218, D16/219, 242
CPC H04N 5/2251; H04N 5/2252; H04N 7/181; H04N 7/183; H04N 7/18; H04N 7/00; H04N 5/247; H04N 5/232; H04N 5/225; H04N 5/222; H04N 5/00; H04N 1/00; G03B 19/02; G03B 17/00; G03B 17/02; G03B 17/561; G08B 13/1963; G08B 13/19619; G08B 13/19632; G08B 13/19602; G08B 13/19634; A01M 31/00; A01M 31/002

See application file for complete search history.

(56) **References Cited**

U.S. PATENT DOCUMENTS

D616,009 S * 5/2010 Schnell D16/218
D628,614 S * 12/2010 Barley D16/203

D630,236 S * 1/2011 Lian D16/203
D638,047 S * 5/2011 Lian D16/203
D673,990 S * 1/2013 Schnell D16/218
D797,836 S * 9/2017 Li D16/218
D820,338 S * 6/2018 Wu D16/203
D828,432 S * 9/2018 Luo D16/237
D838,306 S * 1/2019 Yu D16/218
2010/0215355 A1 * 8/2010 Olien F16M 11/041 396/428
2011/0242315 A1 * 10/2011 Barley G03B 17/02 348/143
2015/0077551 A1 * 3/2015 Simeroth H04N 1/00214 348/143
2018/0041736 A1 * 2/2018 Gagnon H02J 7/35

* cited by examiner

Primary Examiner — Sandra S Snapp

Assistant Examiner — Ieisha N Price

(74) *Attorney, Agent, or Firm* — Dragon Sun Law Firm, PC; Jinggao Li, Esq.

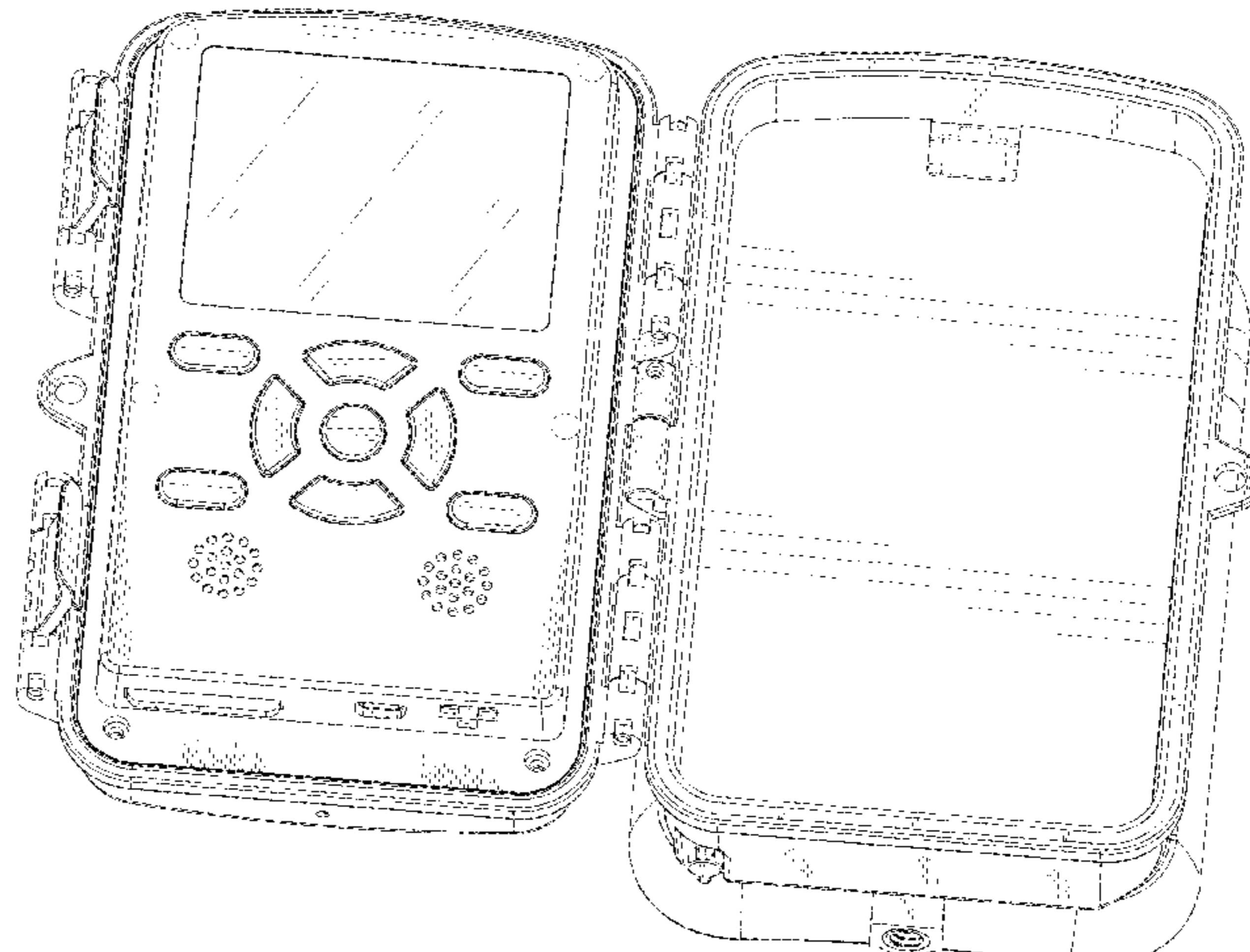
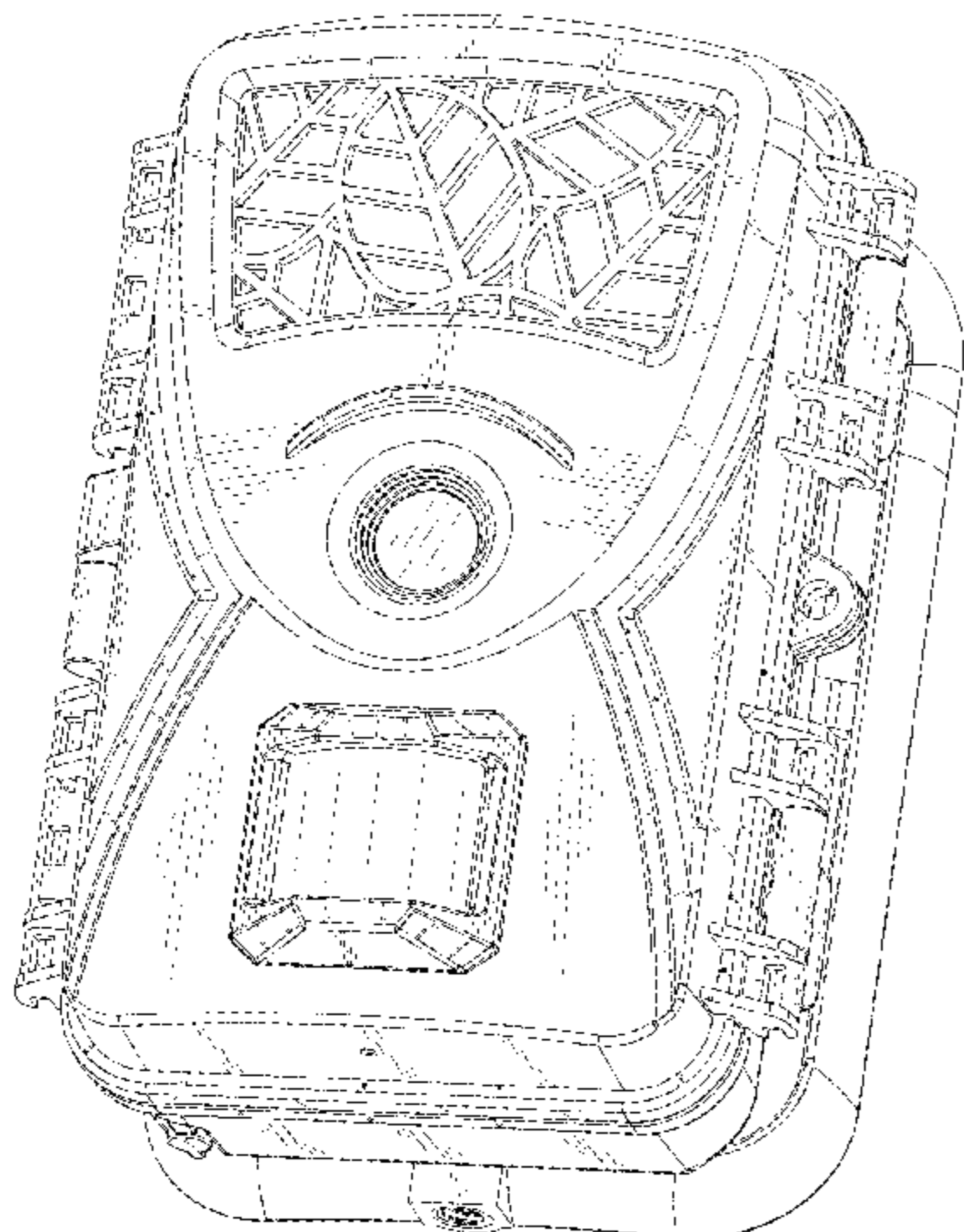
(57) **CLAIM**

The ornamental design for a hunt camera, as shown and described.

DESCRIPTION

FIG. 1 is a front perspective view of a hunt camera showing my new design;
FIG. 2 is a front elevational view thereof;
FIG. 3 is a rear elevational view thereof;
FIG. 4 is a left side elevational view thereof;
FIG. 5 is a right side elevational view thereof;
FIG. 6 is a top plan view thereof;
FIG. 7 is a bottom plan view thereof; and,
FIG. 8 is a perspective view of the hunt camera shown in its open status view thereof.

1 Claim, 8 Drawing Sheets



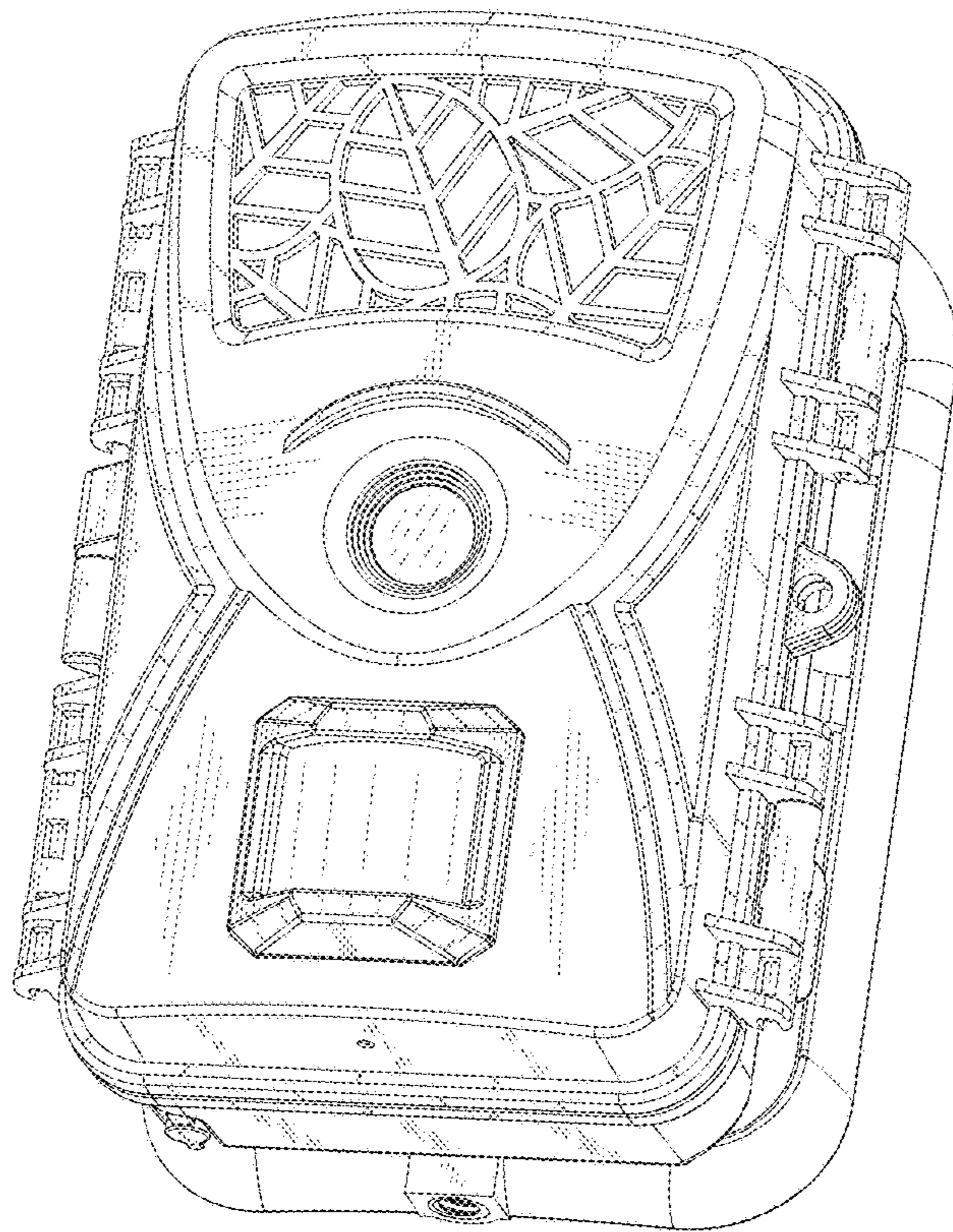


FIG. 1

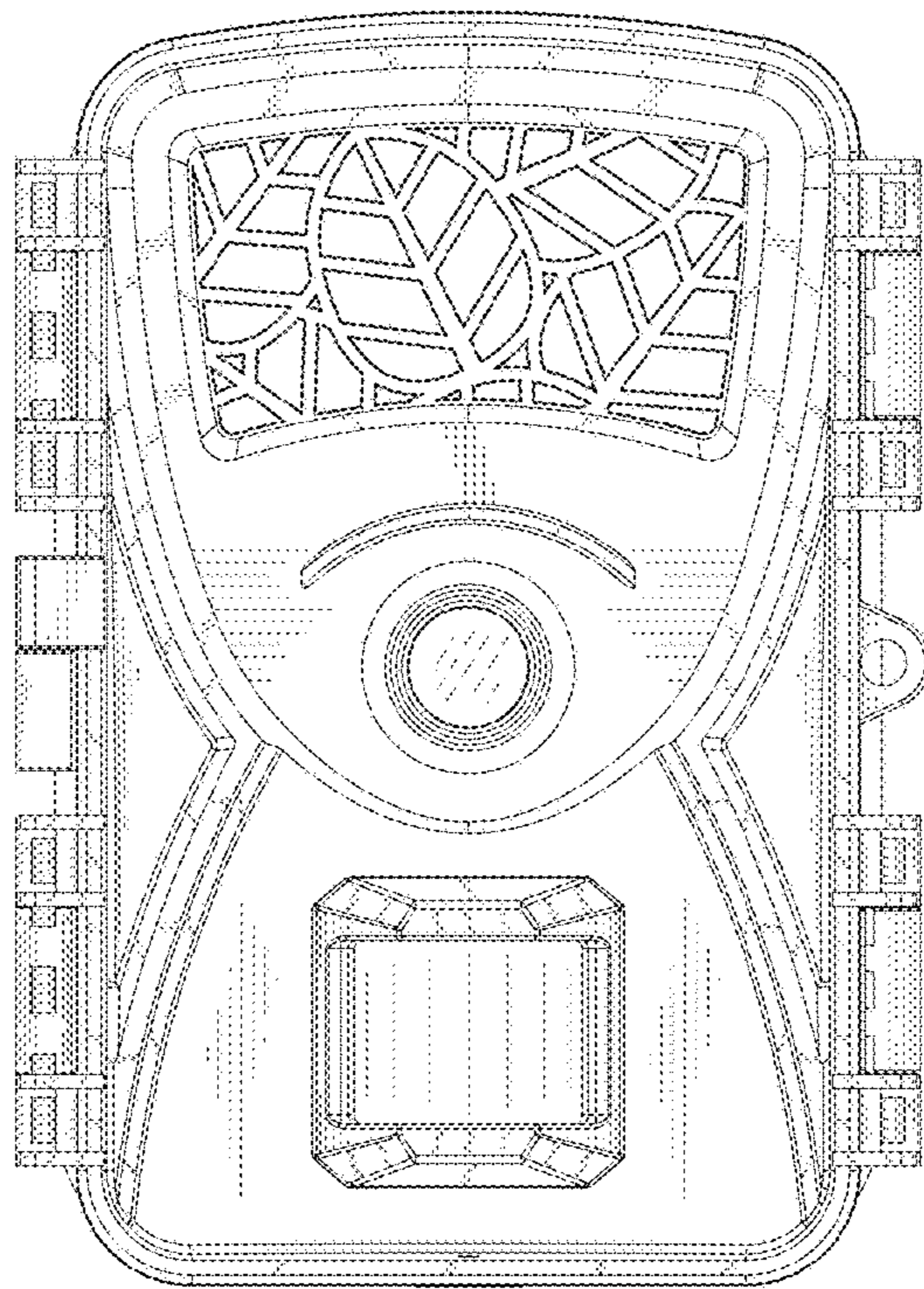


FIG. 2

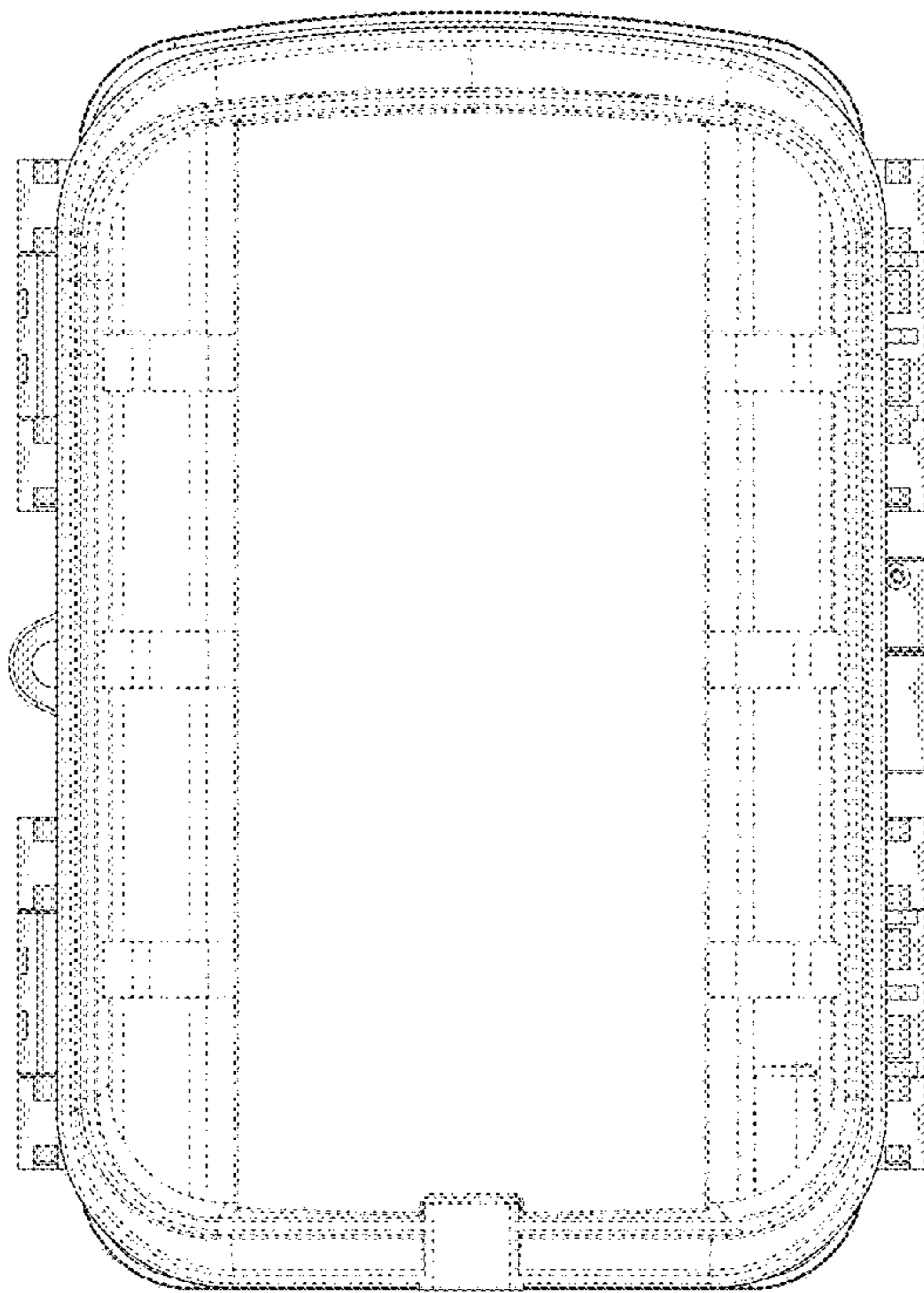


FIG. 3

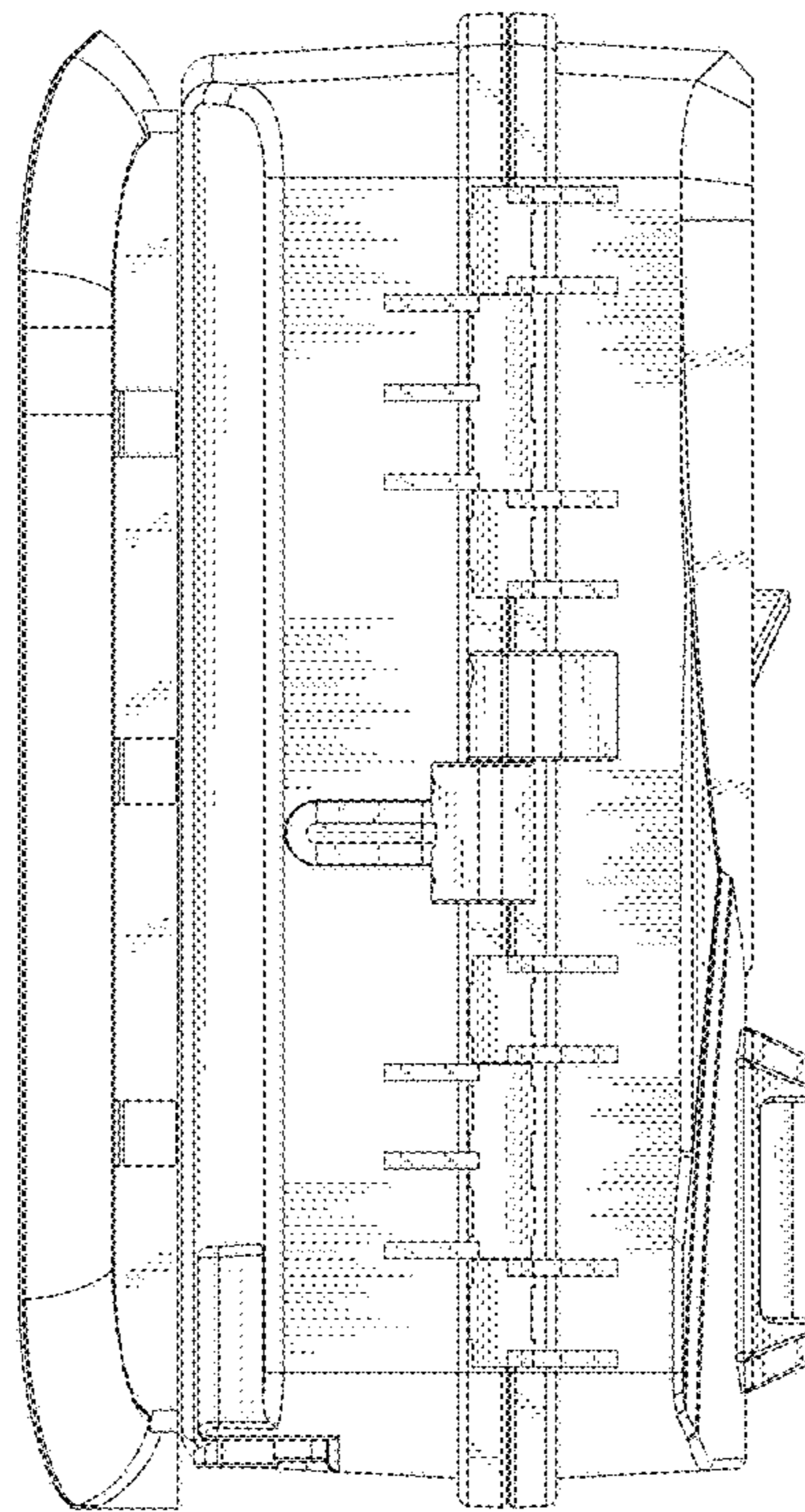


FIG. 4

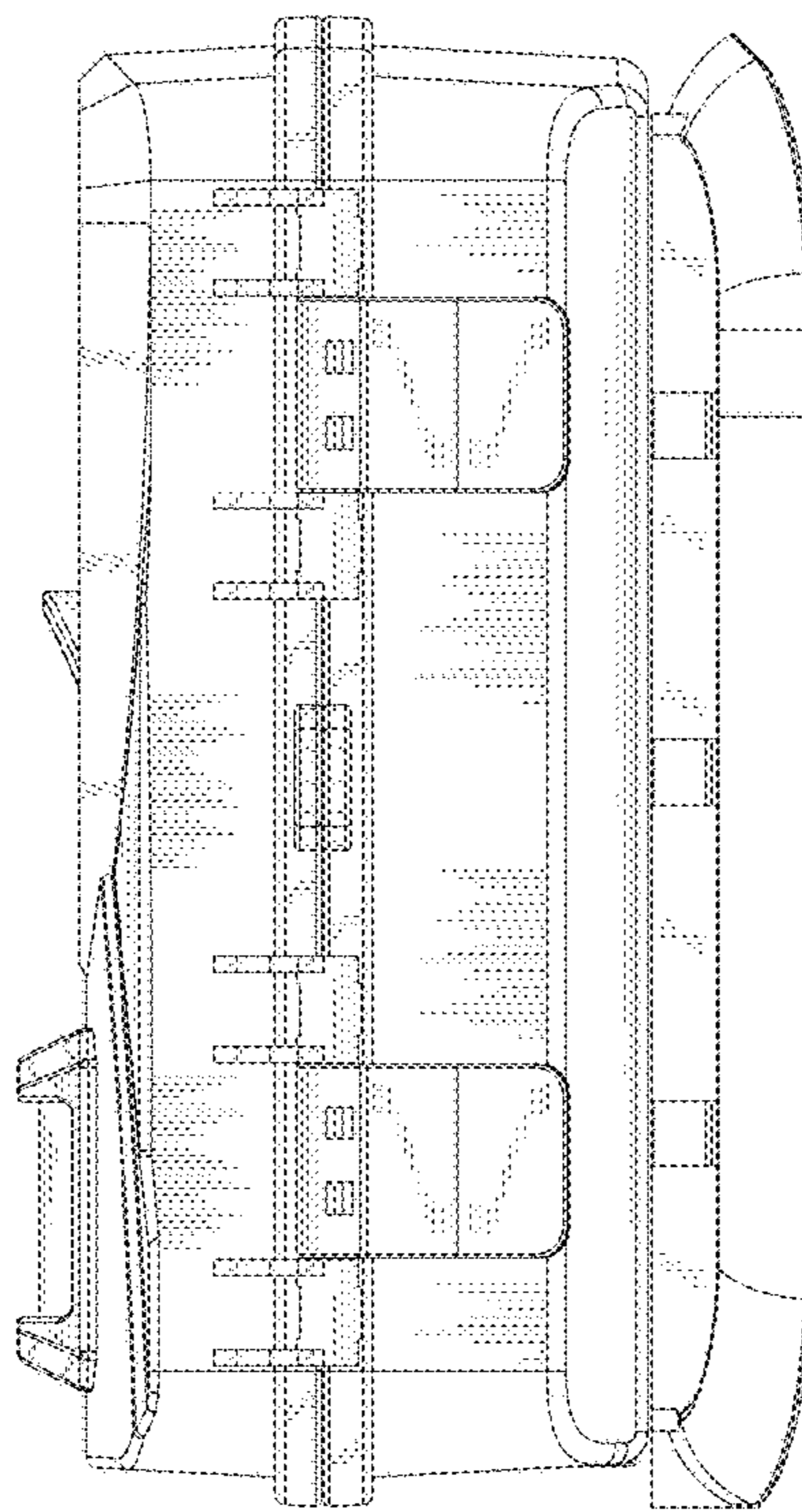


FIG. 5

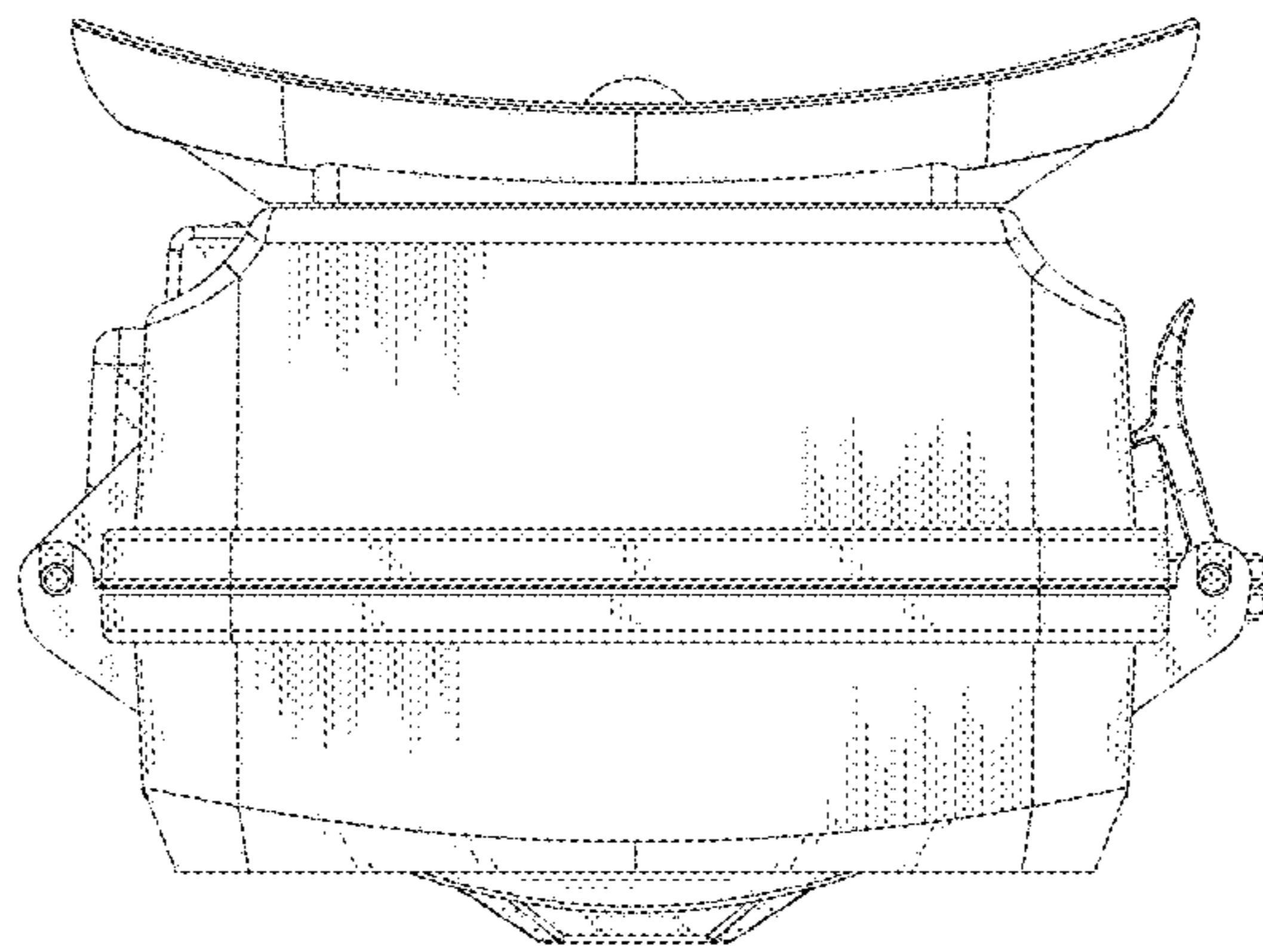


FIG. 6

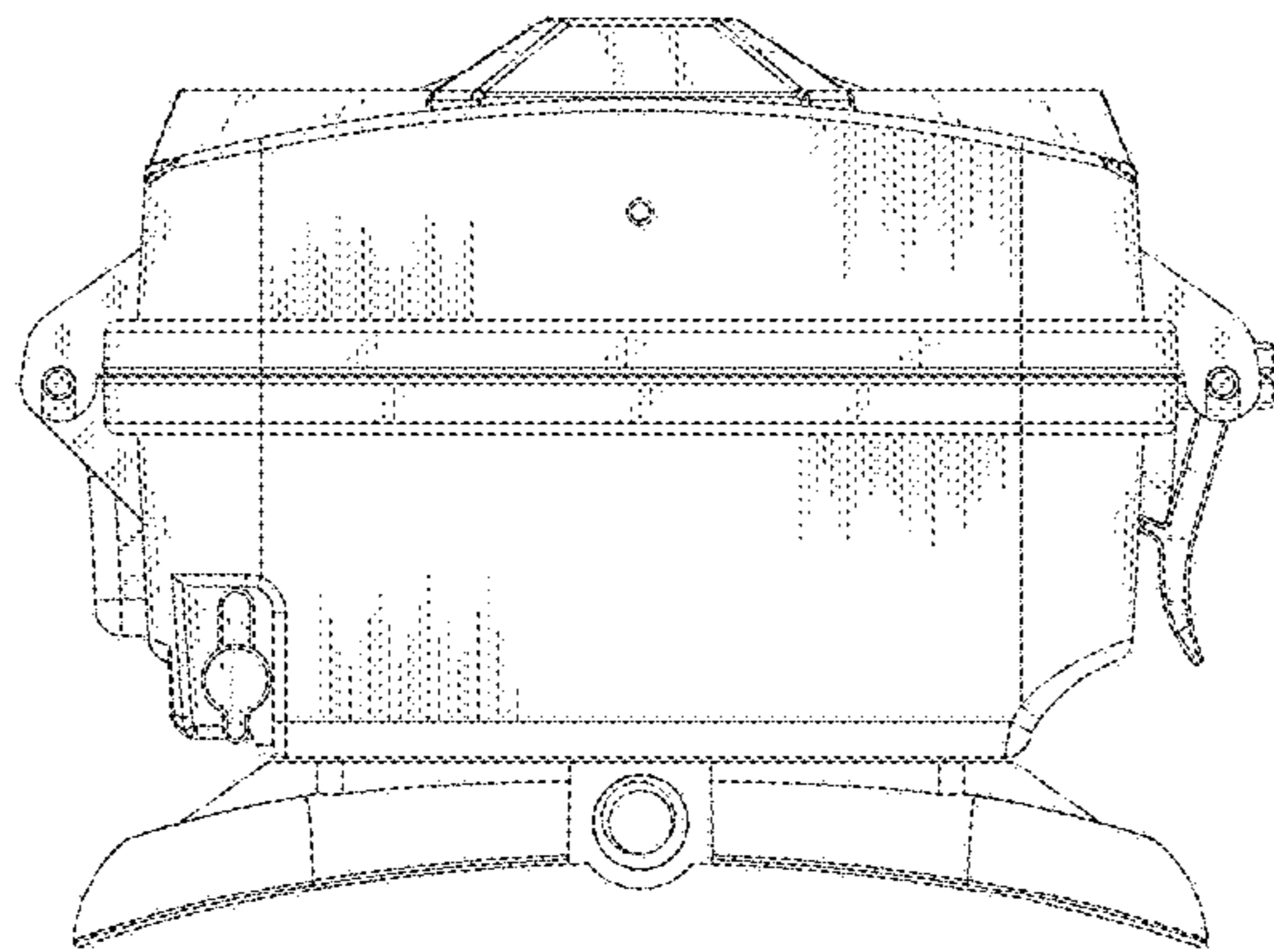


FIG. 7

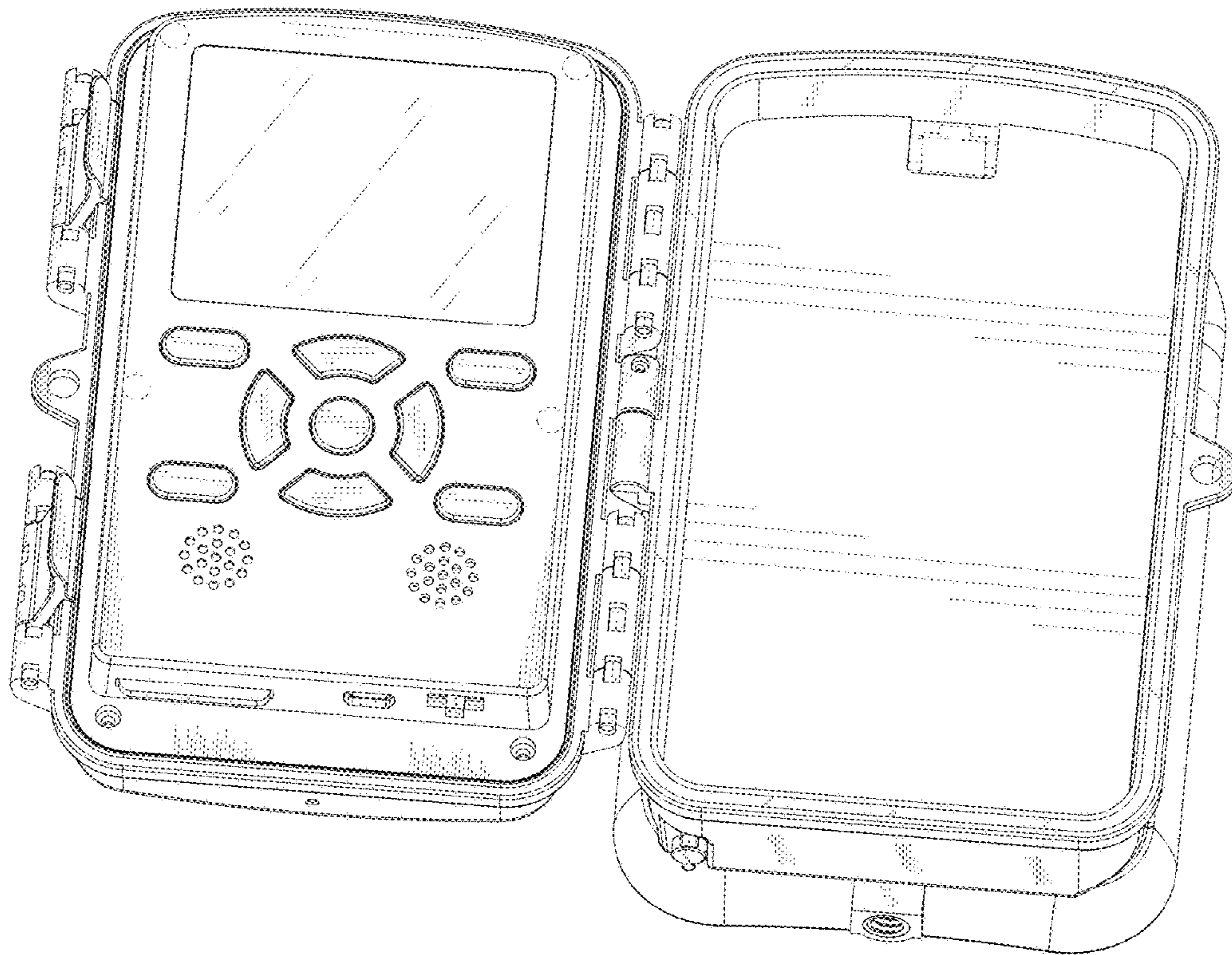


FIG. 8