



US00D875160S

(12) **United States Design Patent**
Krakauer

(10) **Patent No.:** **US D875,160 S**

(45) **Date of Patent:** **** Feb. 11, 2020**

(54) **CAMERA**

(71) Applicant: **Intel Corporation**, Santa Clara, CA
(US)

(72) Inventor: **Jacob Krakauer**, Phoenix, AZ (US)

(73) Assignee: **Intel Corporation**, Santa Clara, CA
(US)

(**) Term: **15 Years**

(21) Appl. No.: **29/630,877**

(22) Filed: **Dec. 22, 2017**

(51) **LOC (12) Cl.** **16-01**

(52) **U.S. Cl.**

USPC **D16/208**; D16/200

(58) **Field of Classification Search**

USPC D16/200, 202–203, 208, 218, 219, 242;

D12/187–189, 400; 248/187.1;

348/14.01–14.6, 143, 148, 151, 373–376;

396/419, 427, 428, 535, 539–541

CPC G03B 17/02; G03B 19/04; G03B 17/56;

G03B 17/04; G03B 15/03; H04N

2101/00; H04N 2007/145; H04N 7/141;

H04N 7/142; H04N 7/147; H04N 7/148;

H04N 7/15; H04N 7/152

See application file for complete search history.

(56) **References Cited**

U.S. PATENT DOCUMENTS

D217,153 S * 4/1970 Adkins D16/203

3,535,442 A * 10/1970 Jennings G08B 13/1963

348/151

D273,012 S * 3/1984 Kozloski D16/203

D518,842 S * 4/2006 Hilborn D16/200

D524,834 S * 7/2006 Dozier D16/200

D657,809 S * 4/2012 Harden D16/202

D680,142 S * 4/2013 Weiss D16/200

D727,761 S * 4/2015 Abe D10/80

D748,685 S * 2/2016 Kunz D15/28

D768,730 S * 10/2016 Kunz D15/28

D782,560 S * 3/2017 Li D16/208

D822,747 S * 7/2018 Van Deusen D16/218

D834,633 S * 11/2018 Carlson D16/208

* cited by examiner

Primary Examiner — Ramzi S Almatrahi

(74) *Attorney, Agent, or Firm* — Schwegman Lundberg &
Woessner, P.A.

(57) **CLAIM**

The ornamental design for a camera, as shown and
described.

DESCRIPTION

FIG. 1 is a front view of a camera showing my new design.

FIG. 2 is a rear view thereof.

FIG. 3 is a right side view thereof.

FIG. 4 is a left side view thereof.

FIG. 5 is a top view thereof.

FIG. 6 is a bottom view thereof.

FIG. 7 is a top-front-left perspective view thereof.

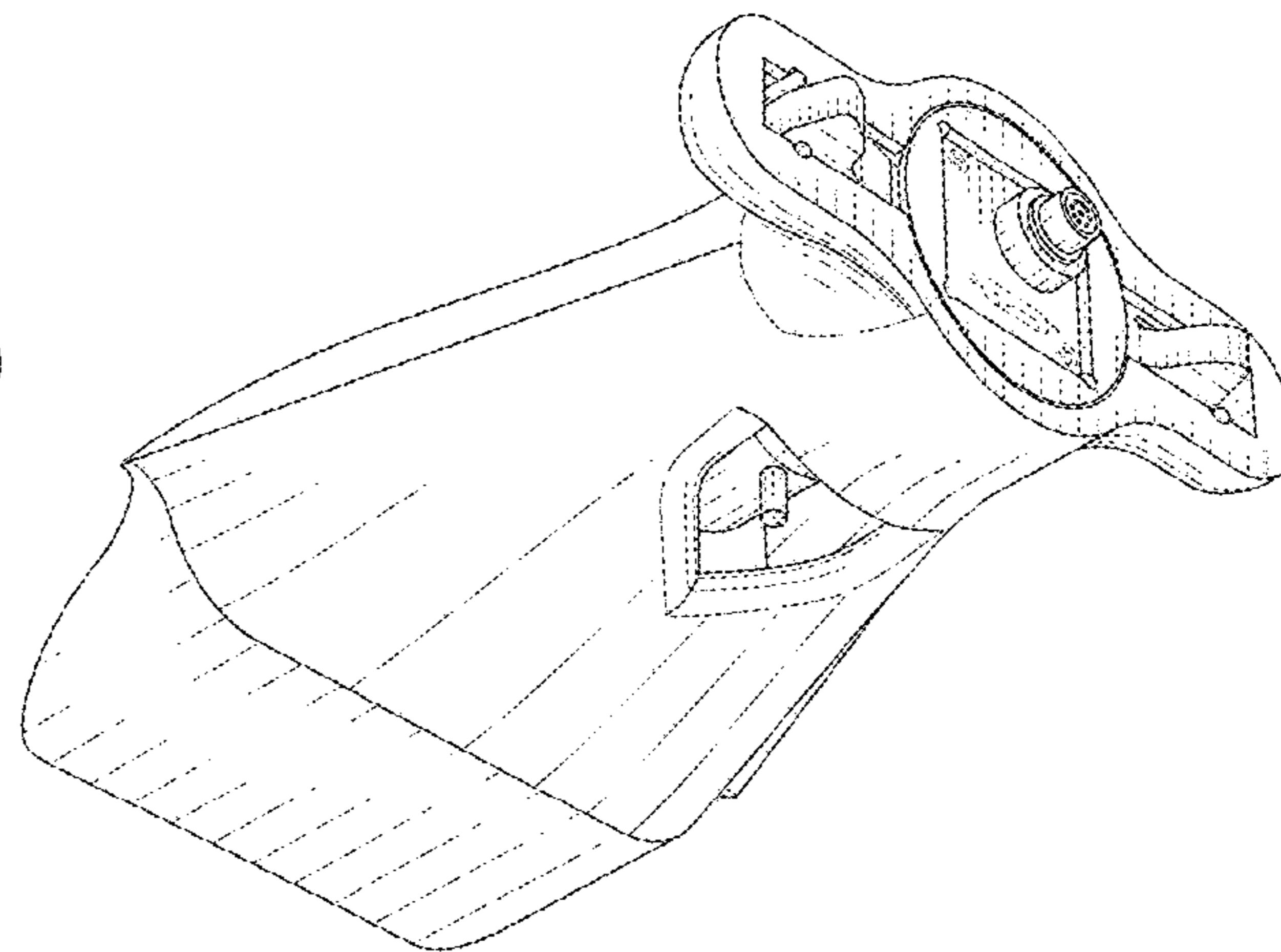
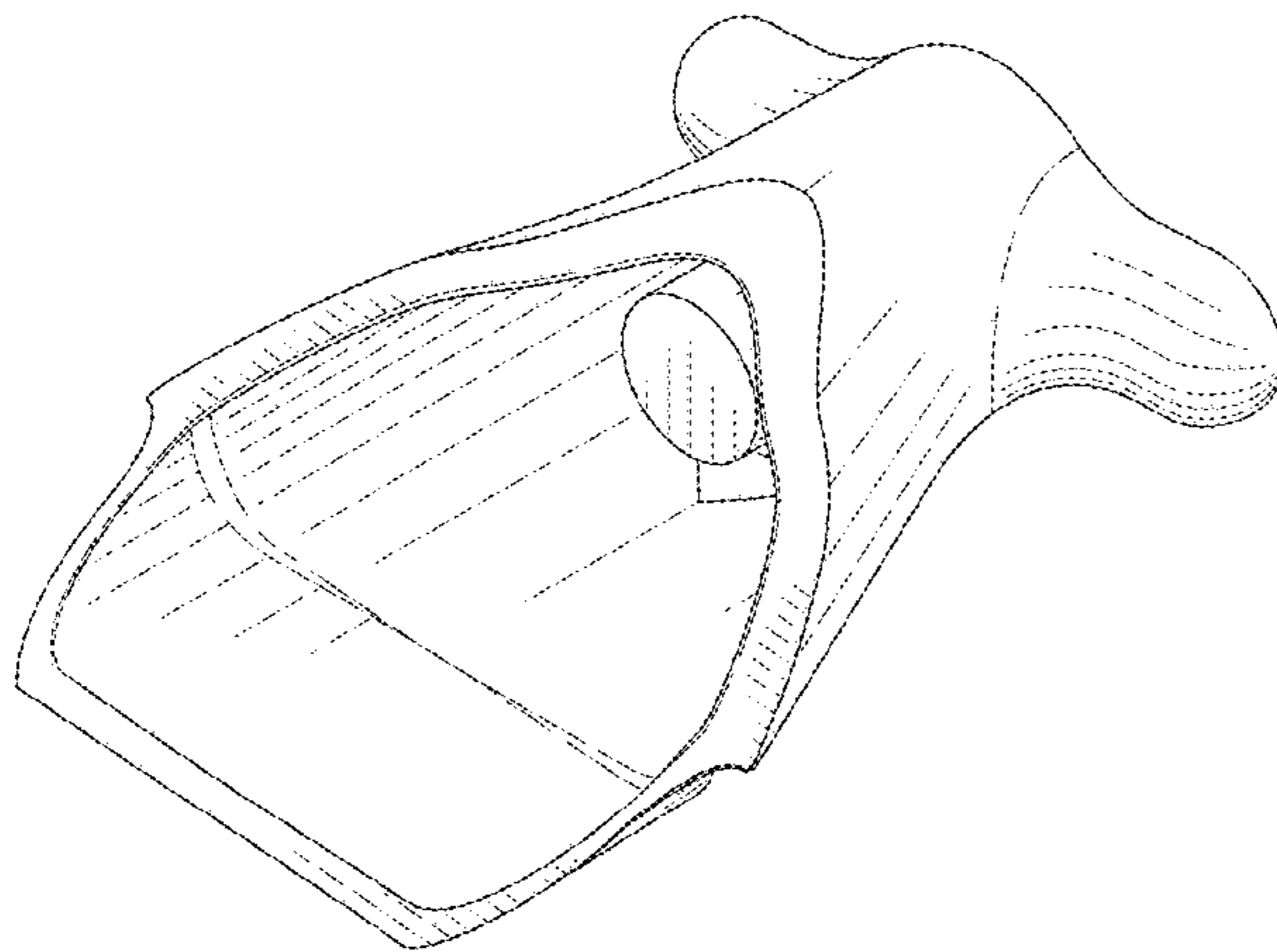
FIG. 8 is a bottom-front-right perspective view thereof.

FIG. 9 is a bottom-rear-left perspective view thereof; and,

FIG. 10 is a top-rear-right perspective view thereof.

The broken lines depict portions of the camera in which the
design is embodied that form no part of the claimed design.

1 Claim, 8 Drawing Sheets



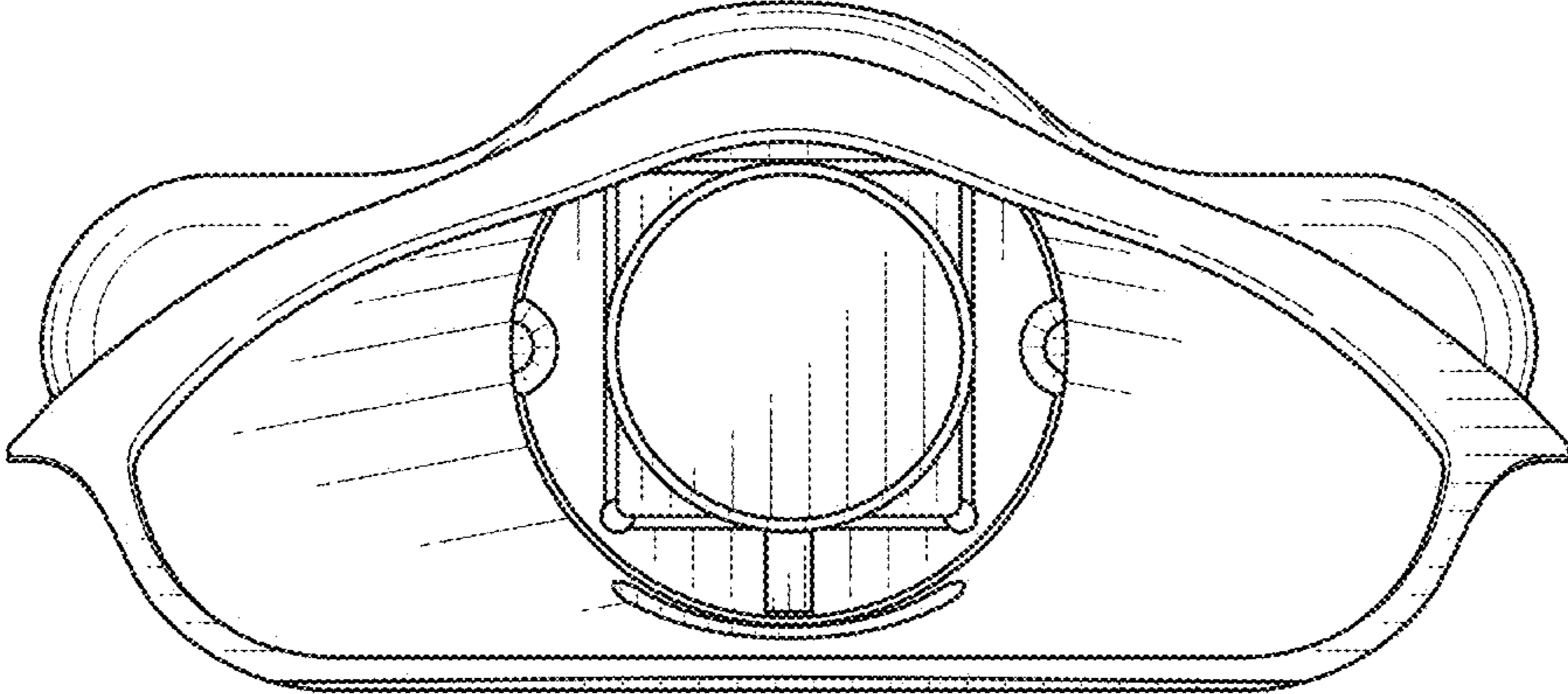


FIG. 1

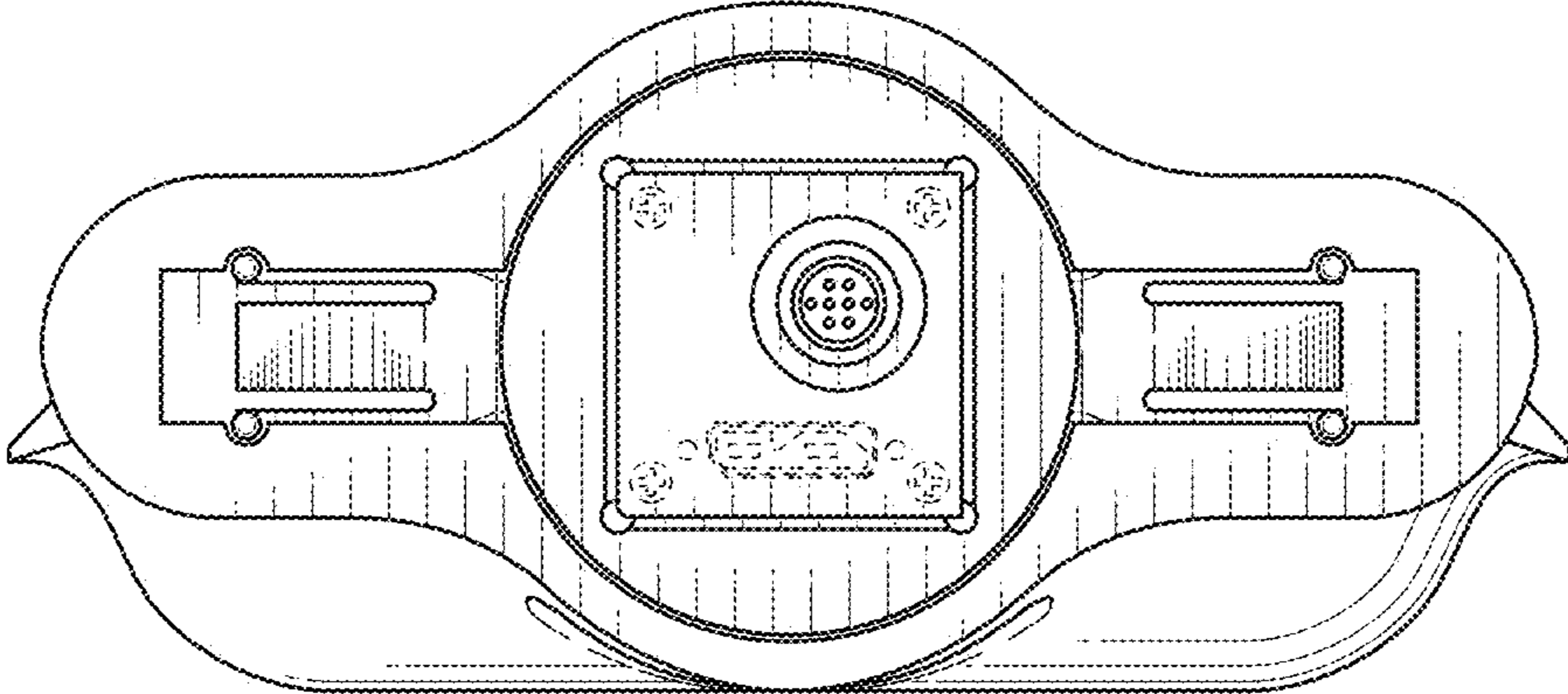


FIG. 2

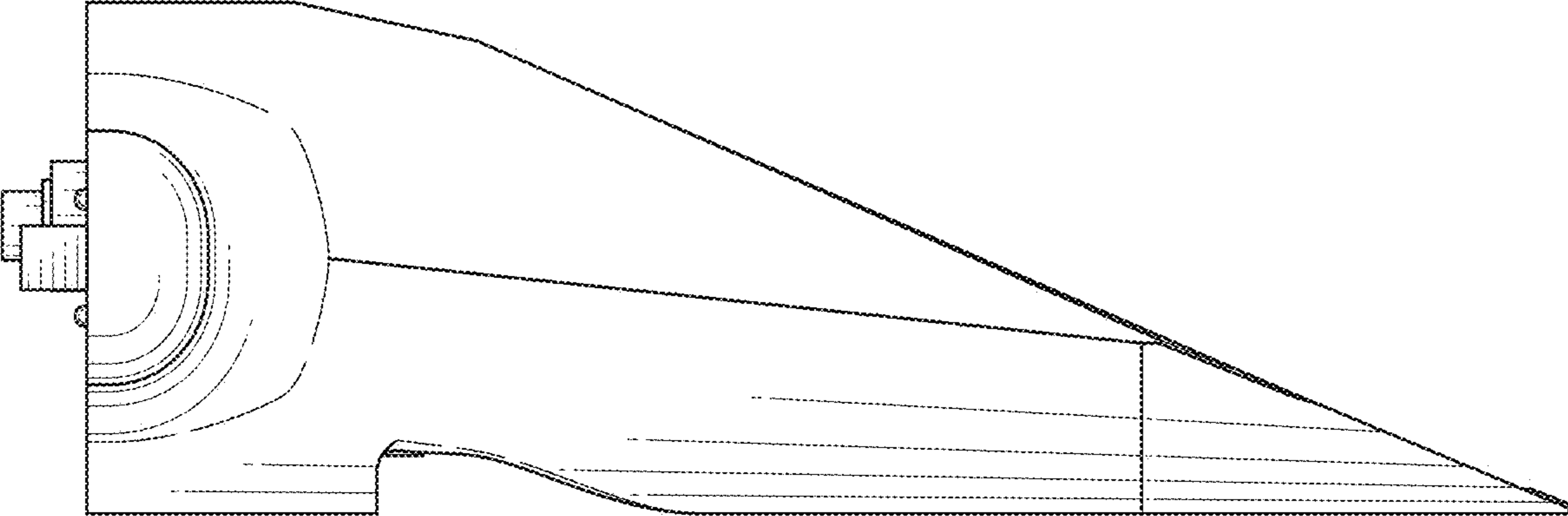


FIG. 3

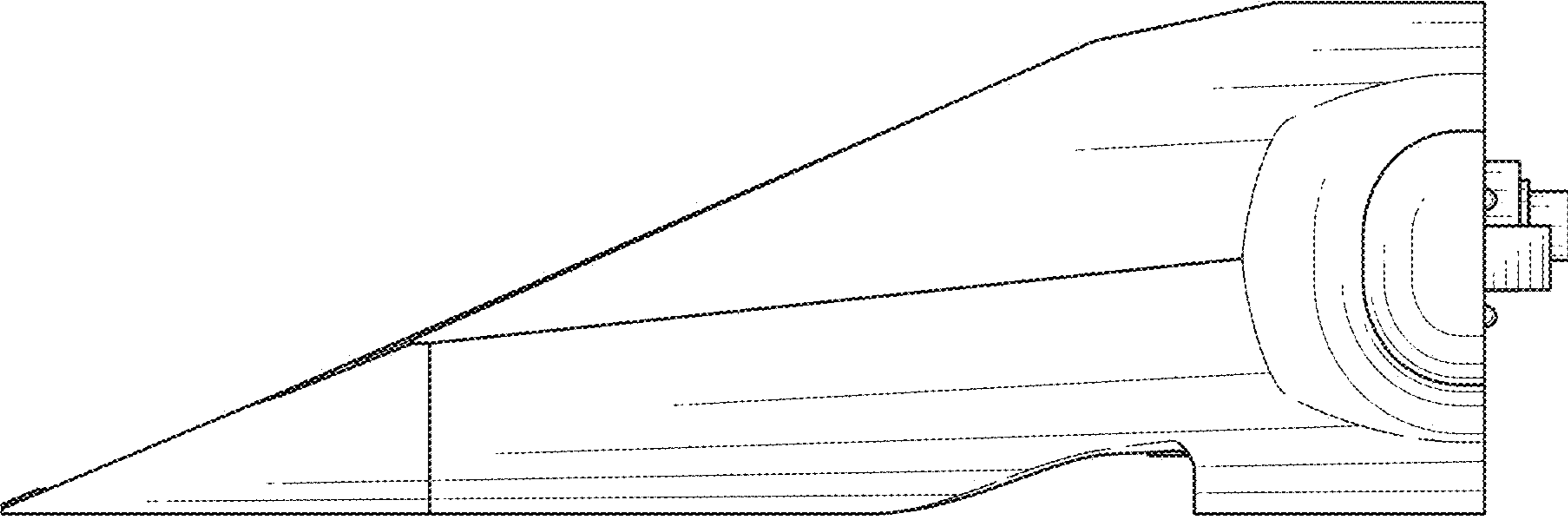


FIG. 4

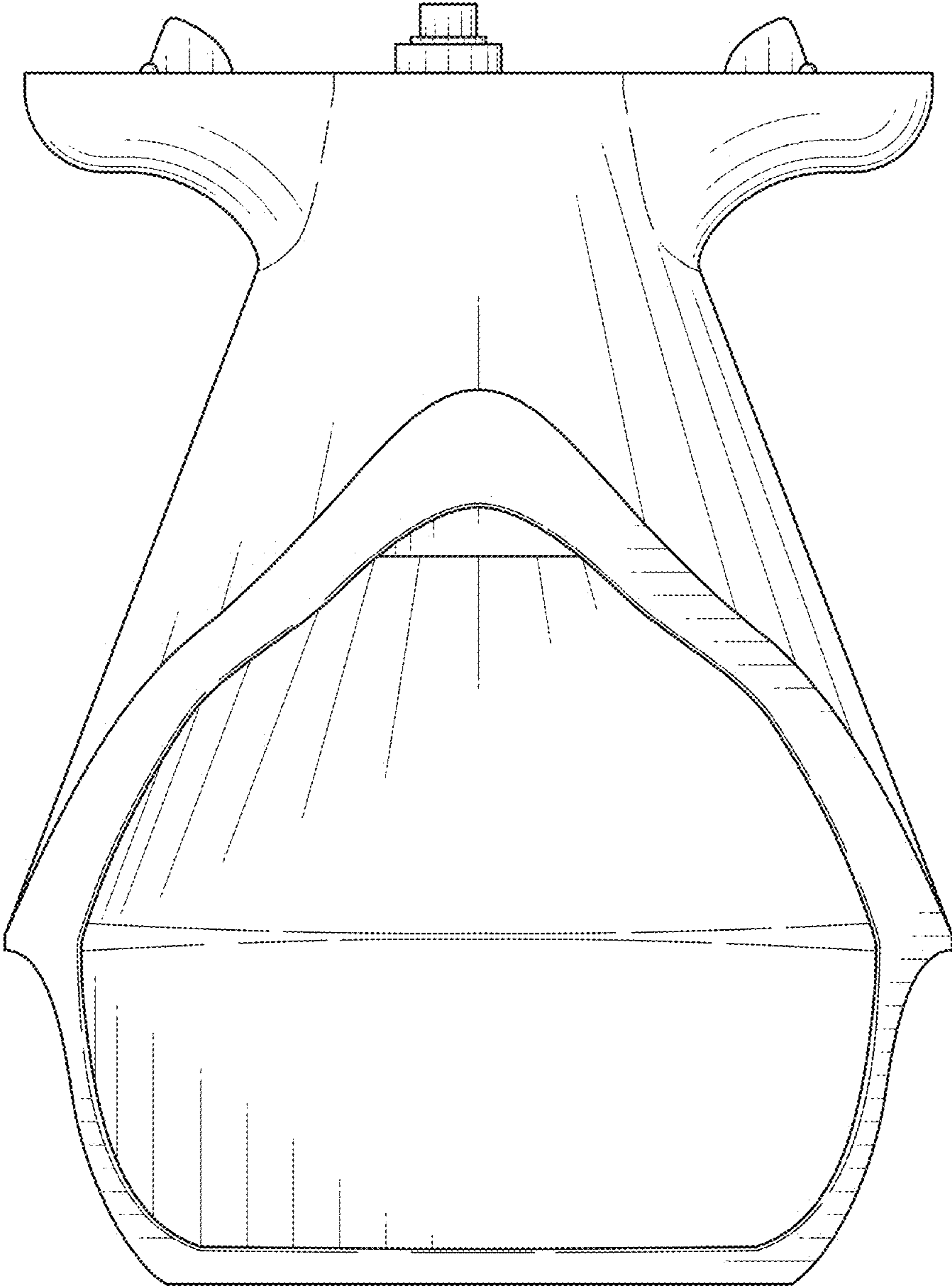


FIG. 5

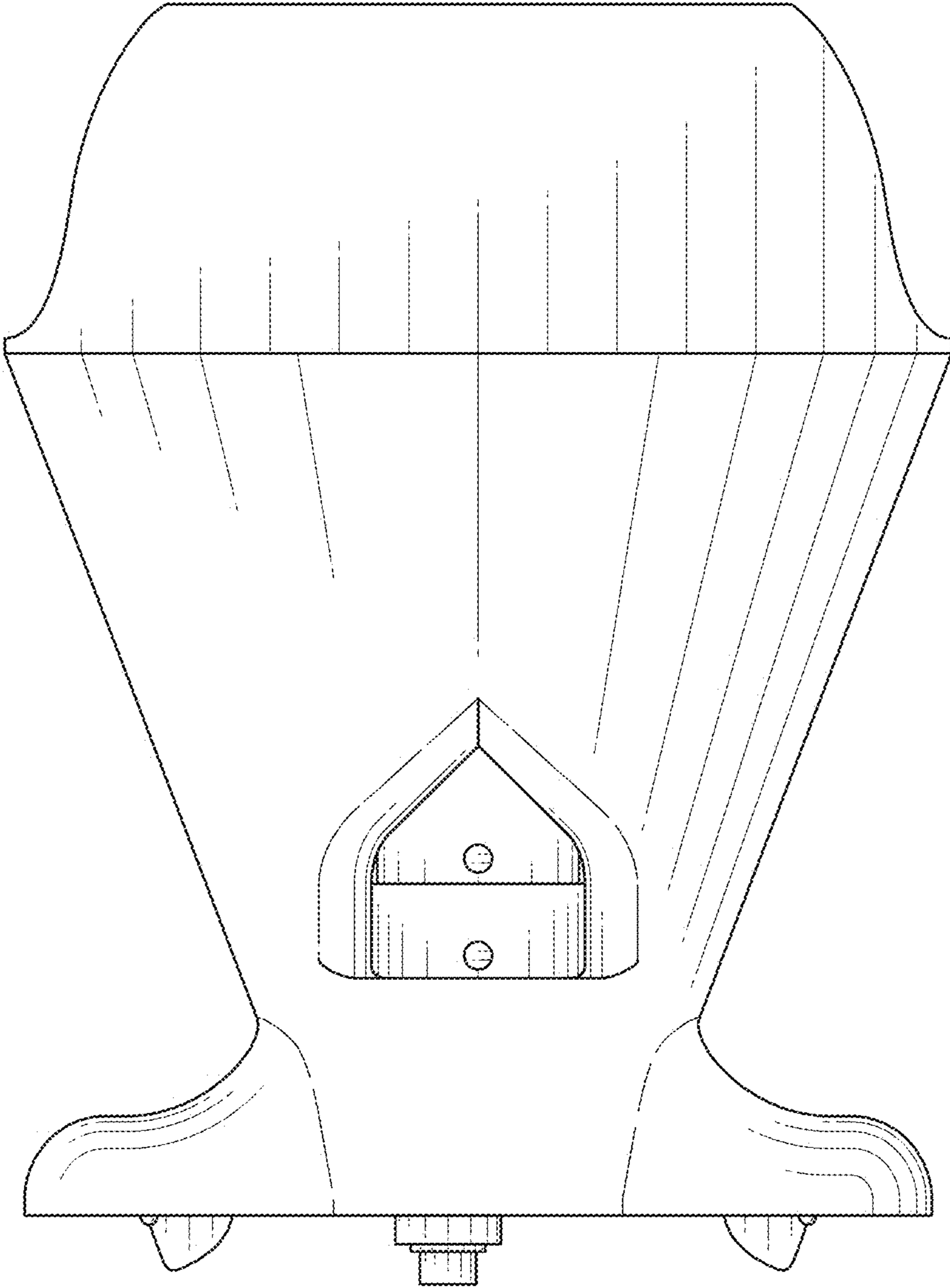


FIG. 6

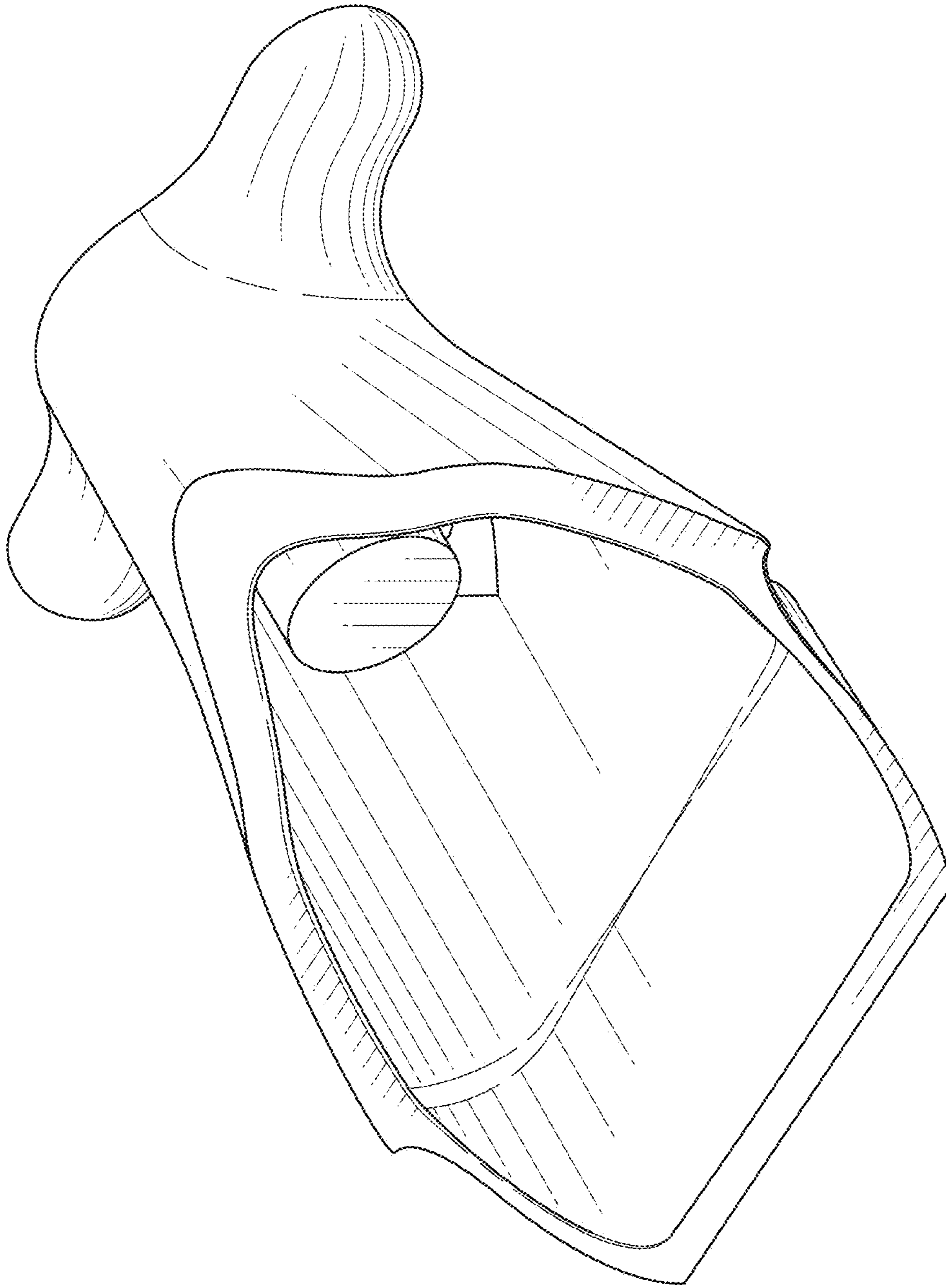


FIG. 7

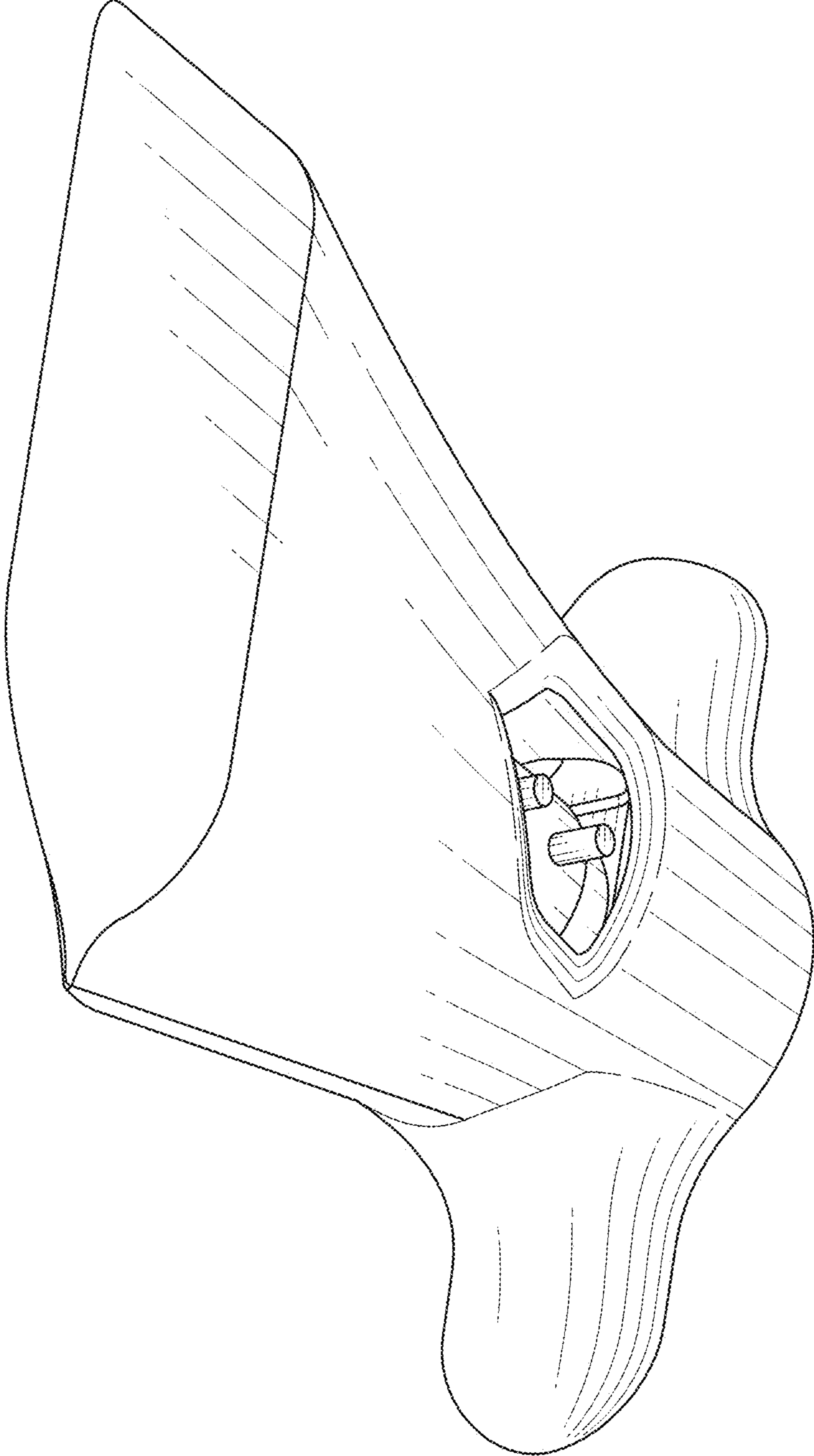


FIG. 8

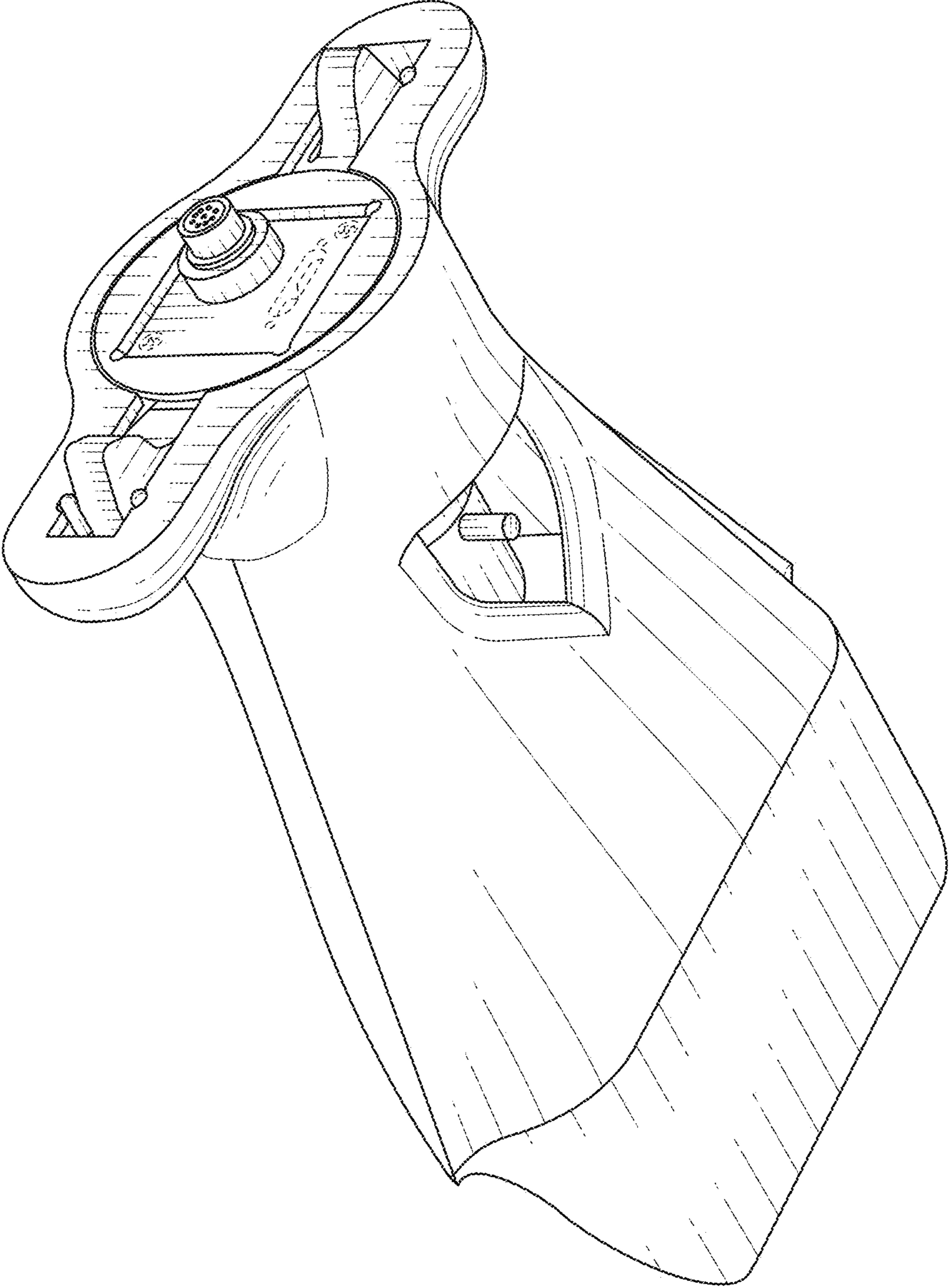


FIG. 9

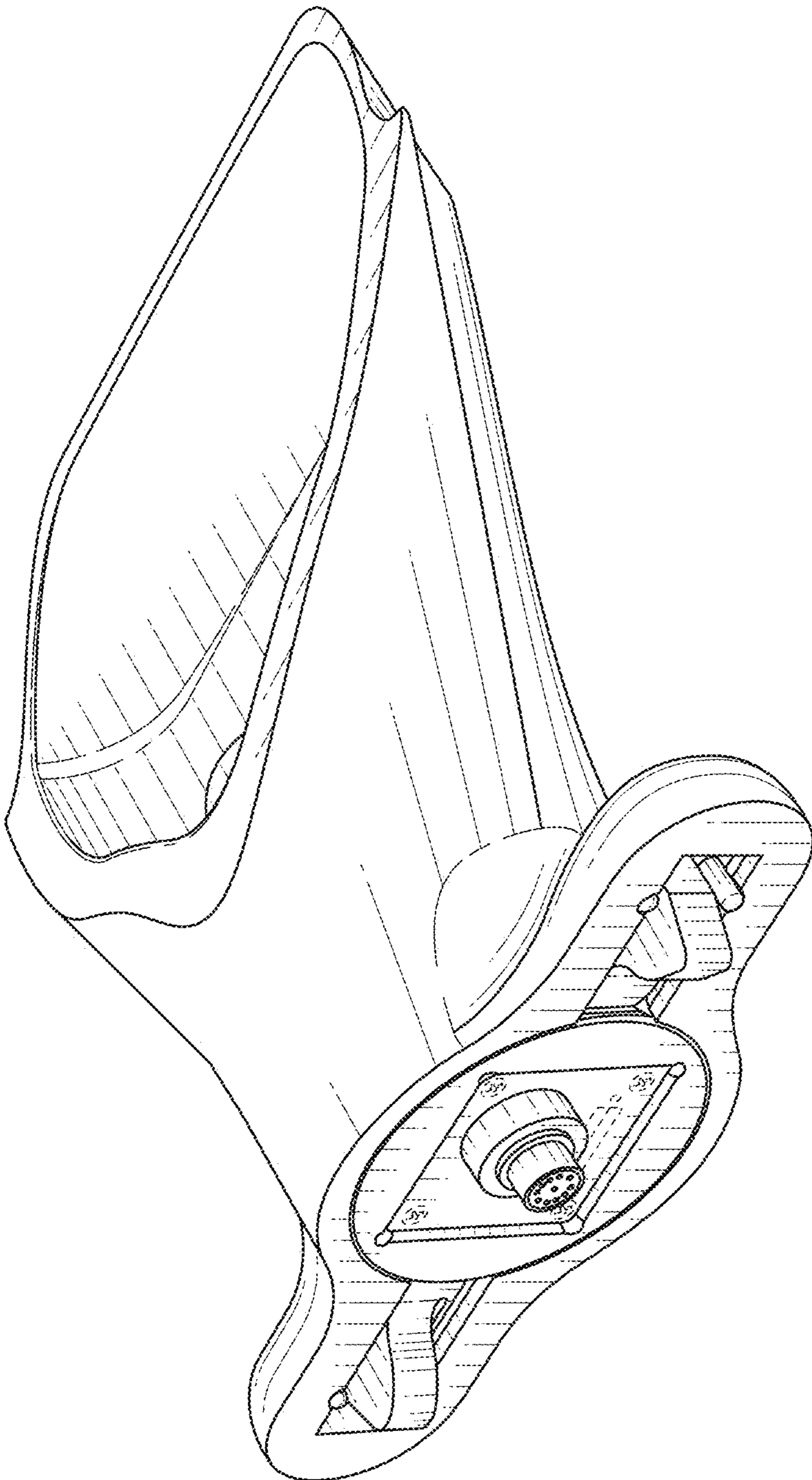


FIG. 10