



US00D875158S

(12) **United States Design Patent** (10) **Patent No.:** **US D875,158 S**  
**Wang et al.** (45) **Date of Patent:** **\*\* Feb. 11, 2020**

(54) **CAMERA**  
(71) Applicant: **GUANGZHOU BOSMA CORP,**  
Guangzhou, Guangdong (CN)  
(72) Inventors: **Jisheng Wang,** Guangdong (CN);  
**Dexiang Zeng,** Guangdong (CN)  
(73) Assignee: **GUANGZHOU BOSMA CORP,**  
Guangzhou (CN)  
(\*\*) Term: **15 Years**  
(21) Appl. No.: **29/655,993**  
(22) Filed: **Jul. 10, 2018**  
(30) **Foreign Application Priority Data**

7,848,637 B1 \* 12/2010 Liew ..... G03B 29/00  
348/151  
D666,660 S \* 9/2012 Amit ..... D16/203  
D676,477 S \* 2/2013 Chen ..... D16/202  
D680,143 S \* 4/2013 Henssler ..... D16/200  
D698,841 S \* 2/2014 Lee ..... D16/202  
D727,388 S \* 4/2015 Huang ..... D16/214  
D731,906 S \* 6/2015 Troutman ..... D10/70  
D743,467 S \* 11/2015 Bhattacharya ..... D16/203  
D746,350 S \* 12/2015 Li ..... D16/203  
D747,383 S \* 1/2016 Li ..... D16/203  
D776,740 S \* 1/2017 Okawa ..... D16/203  
D795,833 S \* 8/2017 Zhou ..... D14/159  
D809,047 S \* 1/2018 Borg ..... D16/203  
D816,141 S \* 4/2018 Siminoff ..... D16/203  
D822,519 S \* 7/2018 Siminoff ..... D10/118.2  
D822,520 S \* 7/2018 Siminoff ..... D10/118.2  
D829,803 S \* 10/2018 Read ..... D16/203  
D833,504 S \* 11/2018 Leiponis ..... D16/214  
D837,080 S \* 1/2019 Siminoff ..... D10/118.2

(Continued)

*Primary Examiner* — Sandra S Snapp  
*Assistant Examiner* — Ieisha N Price

Jun. 5, 2018 (CN) ..... 2018 3 0277939  
(51) **LOC (12) Cl.** ..... **16-01**  
(52) **U.S. Cl.**  
USPC ..... **D16/203**  
(58) **Field of Classification Search**  
USPC ..... D16/200, 202, 203, 218  
CPC ..... H04N 7/18; H04N 7/183; H04N 5/2251;  
H04N 5/2252; H04N 5/2258; H04N  
5/2254; H04N 5/374; H04N 5/247; H04N  
5/2257; H04N 5/23206; G08B 13/19602;  
G08B 13/19617; G08B 13/19619; G08B  
13/1963; G08B 21/0247; G08B 13/19636;  
G08B 13/19669; G03B 17/561; G03B  
17/566; G03B 29/00; G07C 9/00309;  
H04M 1/02  
See application file for complete search history.

(57) **CLAIM**

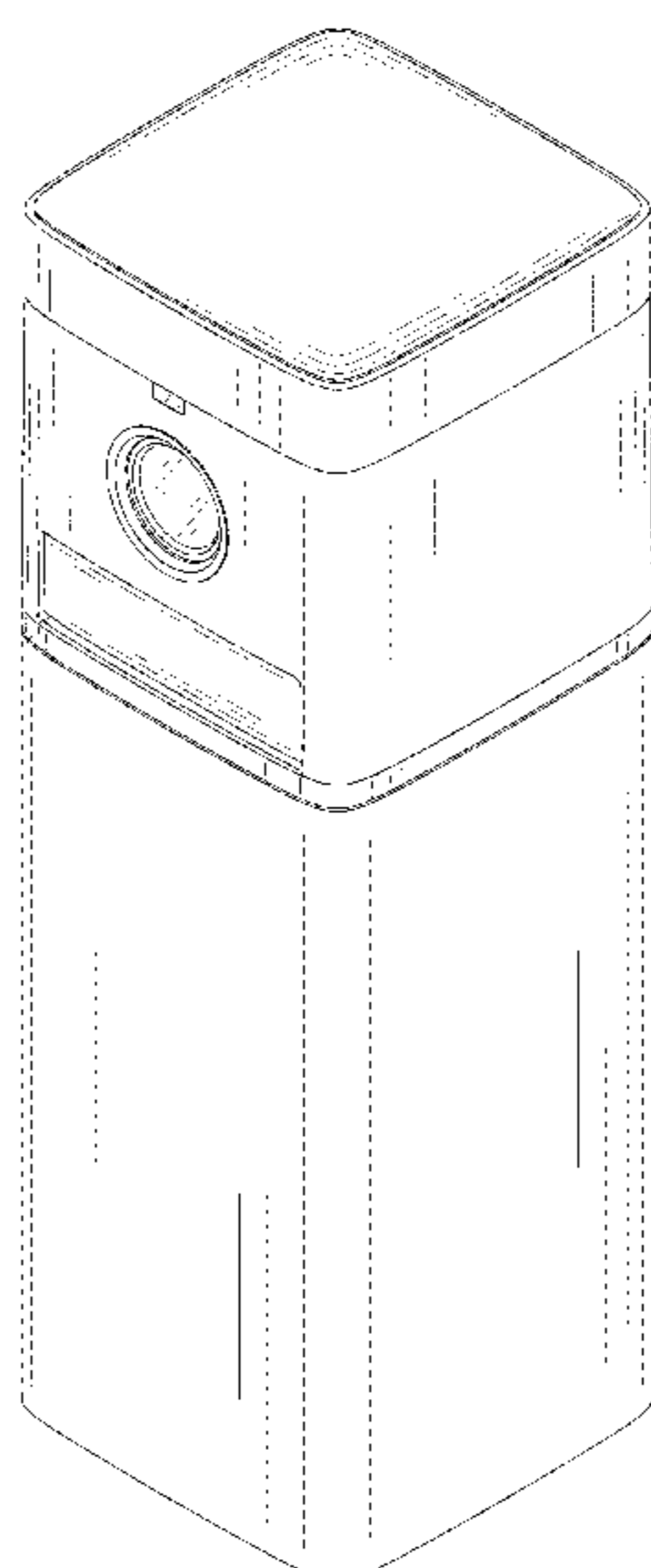
The ornamental design for a camera, as shown and described.

**DESCRIPTION**

FIG. 1 is a top, front and right side perspective view of a camera showing our new design;  
FIG. 2 is a bottom, rear and left side perspective view thereof;  
FIG. 3 is a front elevational view thereof;  
FIG. 4 is a rear elevational view thereof;  
FIG. 5 is a left side view thereof;  
FIG. 6 is a right side view thereof;  
FIG. 7 is a top plan view thereof; and,  
FIG. 8 is a bottom plan view thereof.  
The broken lines in the drawings illustrate portions of the camera which form no part of the claimed design. The oblique shade lines in the drawings indicate transparency.

(56) **References Cited**  
U.S. PATENT DOCUMENTS  
D458,290 S \* 6/2002 Tu ..... D16/202  
D586,837 S \* 2/2009 McCoin ..... D16/203

**1 Claim, 8 Drawing Sheets**



(56)

**References Cited**

U.S. PATENT DOCUMENTS

2005/0162545	A1 *	7/2005	Jeon .....	H04N 5/2252 348/373
2009/0201413	A1 *	8/2009	Fishman .....	H04N 5/2252 348/373
2012/0242837	A1 *	9/2012	Sasagawa .....	H04N 5/247 348/159
2013/0038728	A1 *	2/2013	Kim .....	H04N 5/2252 348/143
2014/0049638	A1 *	2/2014	Huang .....	H04N 5/2252 348/143
2014/0267595	A1 *	9/2014	Cuddeback .....	H04N 5/374 348/37
2014/0300735	A1 *	10/2014	Reibel .....	H04N 7/18 348/143
2016/0125714	A1 *	5/2016	Kates .....	G08B 13/19669 386/228
2016/0330403	A1 *	11/2016	Siminoff .....	H04N 5/2257
2016/0337583	A1 *	11/2016	Kang .....	H04N 5/2254
2017/0318200	A1 *	11/2017	Cox .....	H04N 5/23206
2018/0192008	A1 *	7/2018	Zhou .....	G07C 9/00309
2018/0205911	A1 *	7/2018	Siminoff .....	G08B 13/19636
2019/0014291	A1 *	1/2019	Siminoff .....	H04M 1/02

\* cited by examiner

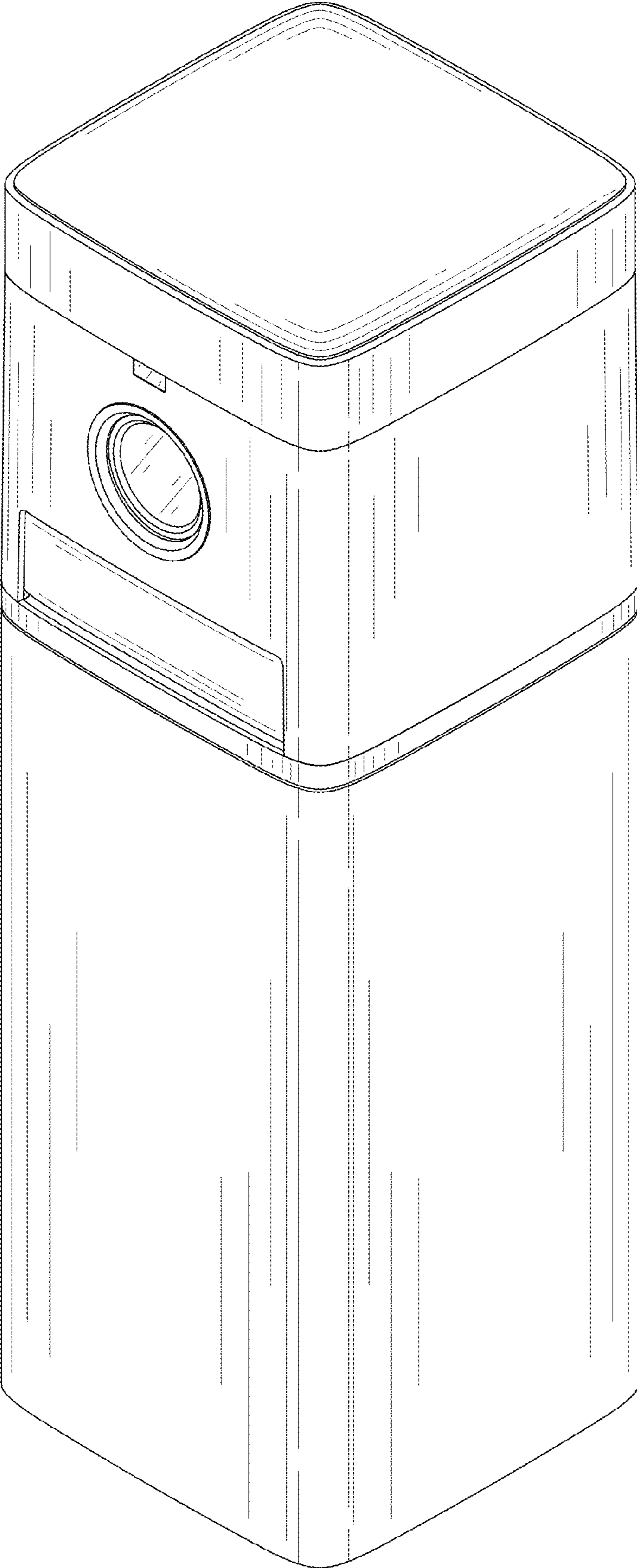


FIG. 1

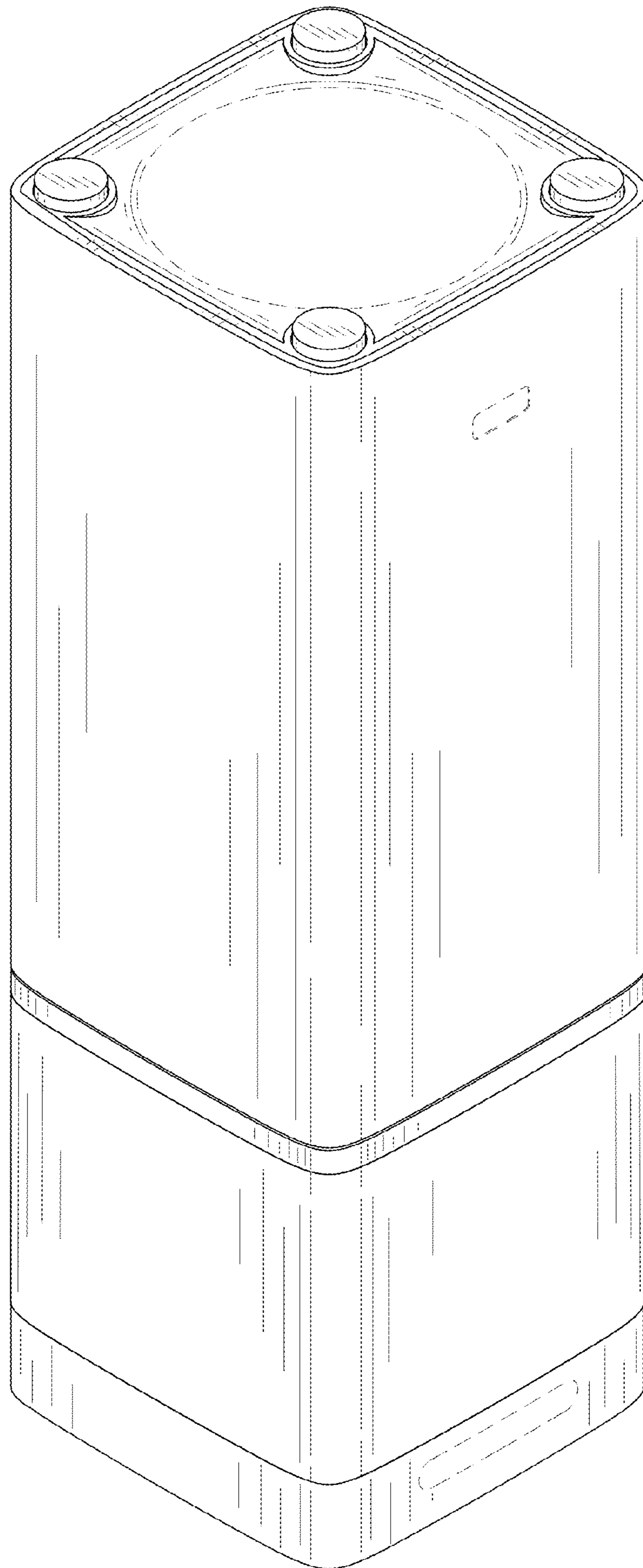


FIG. 2

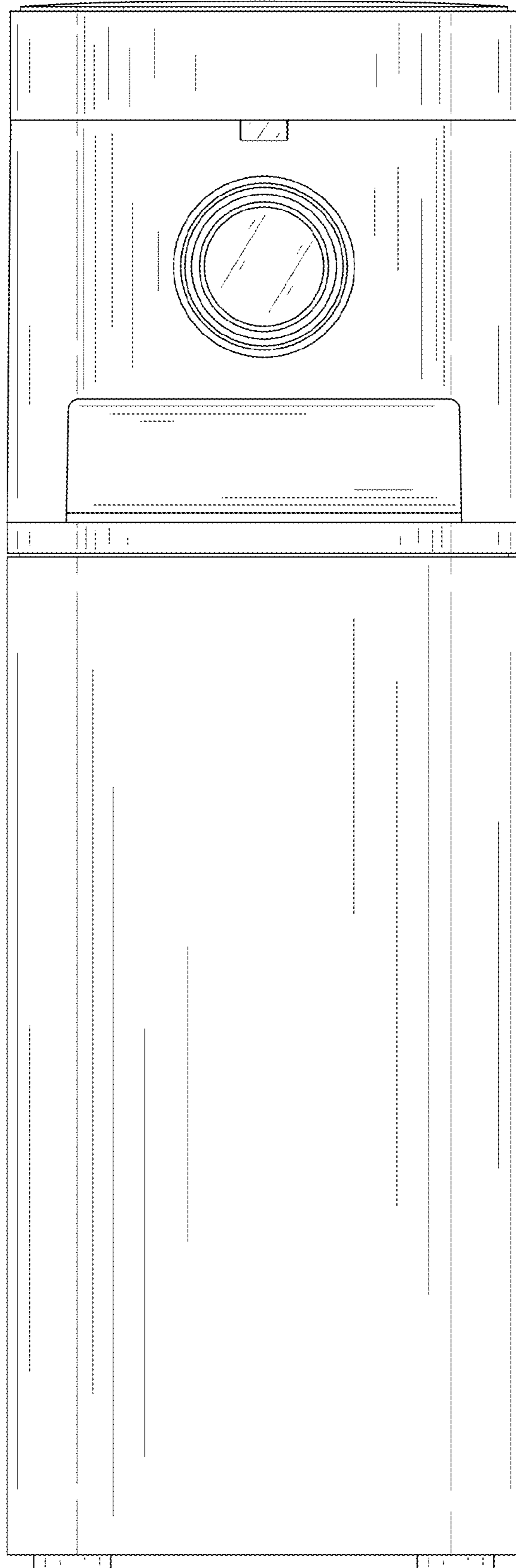


FIG. 3

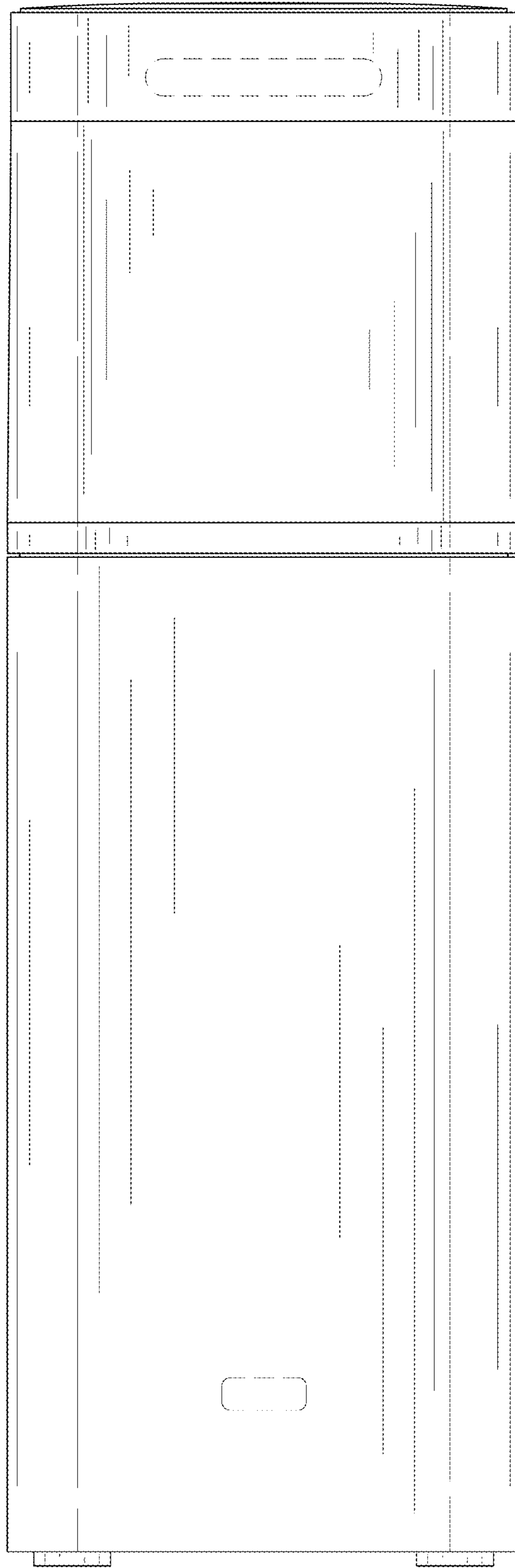


FIG. 4

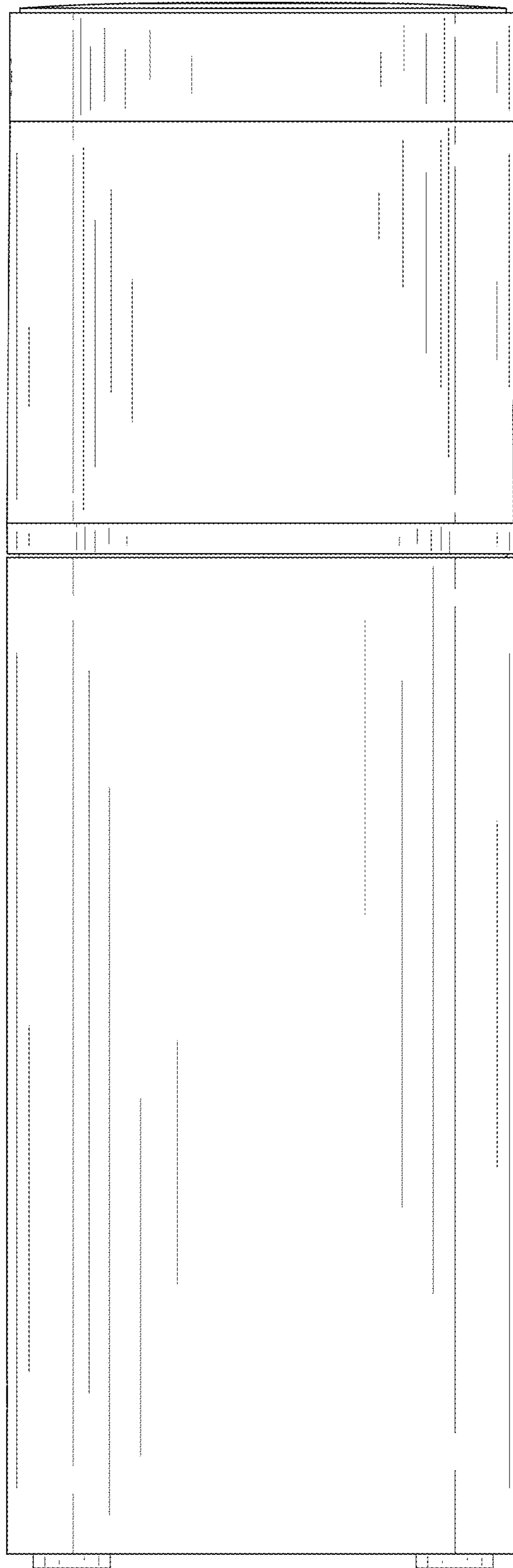


FIG. 5

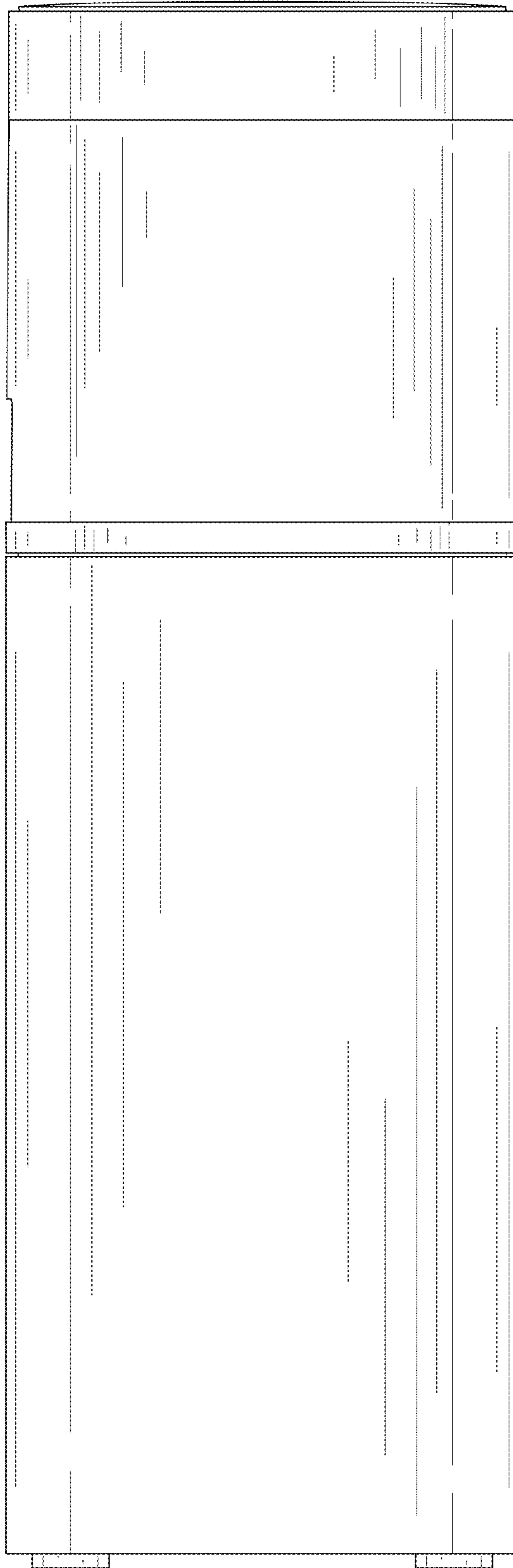


FIG. 6



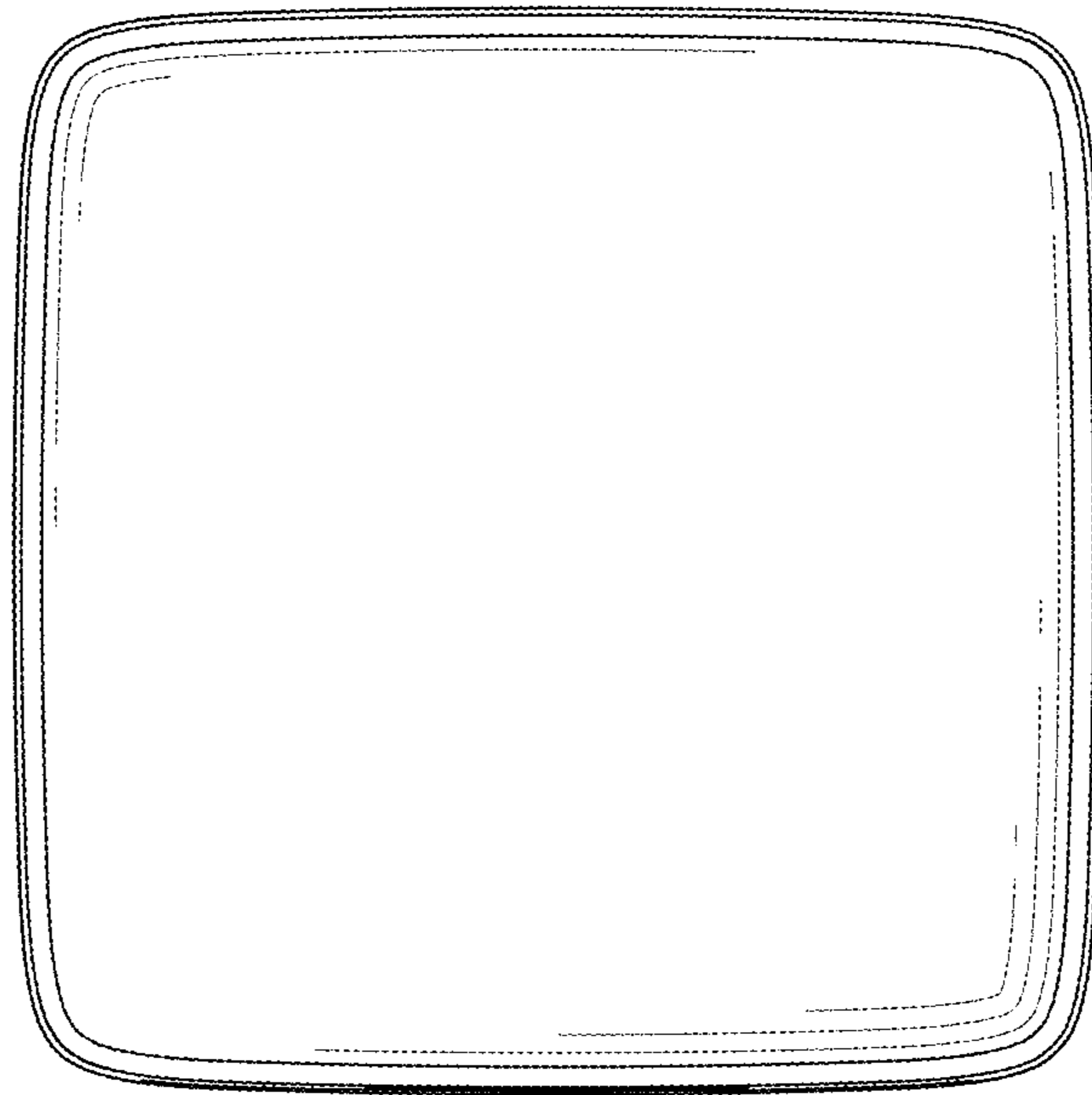


FIG. 7

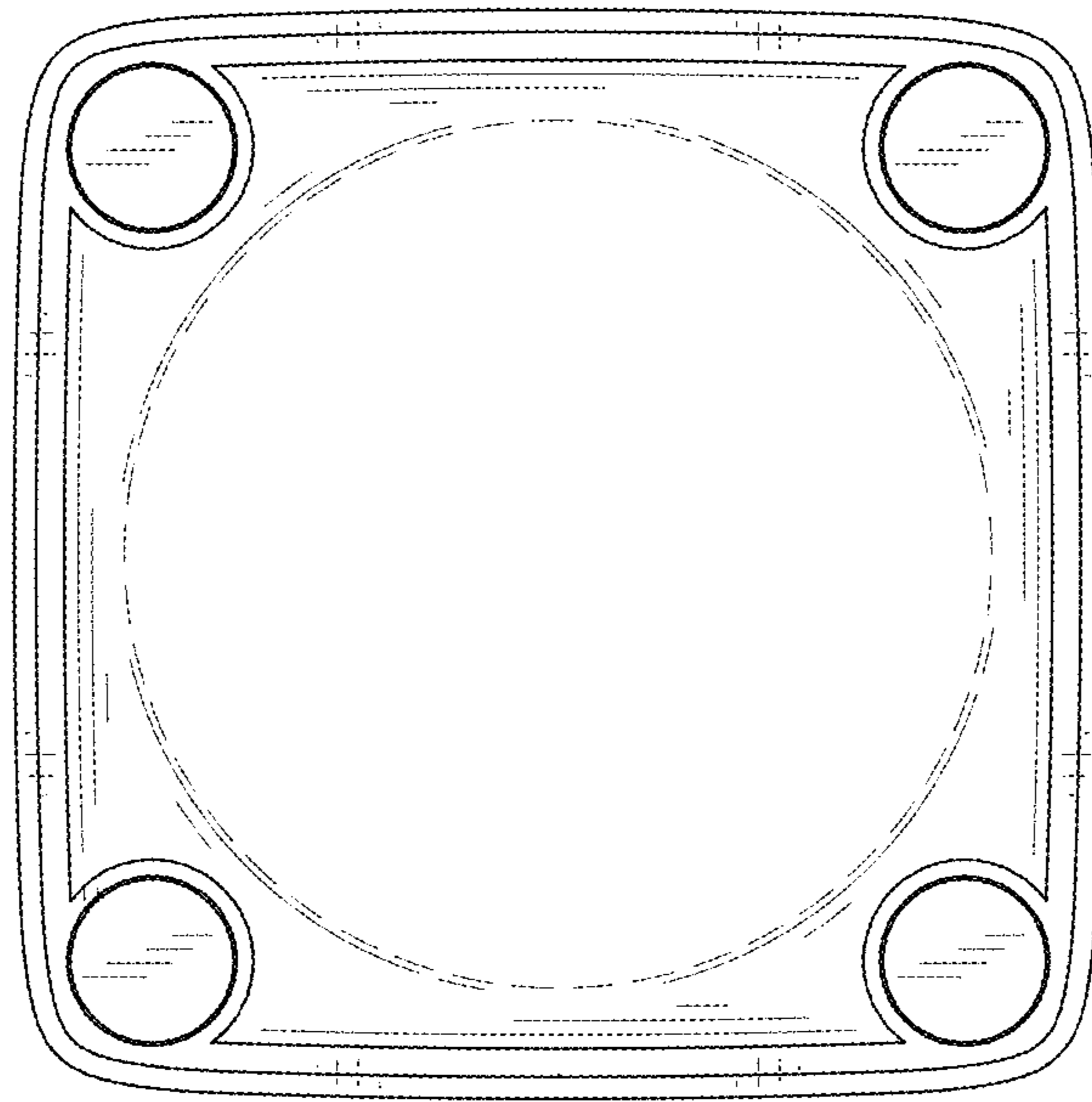


FIG. 8