



US00D875157S

(12) **United States Design Patent**
Laurino et al.

(10) **Patent No.:** **US D875,157 S**

(45) **Date of Patent:** **** Feb. 11, 2020**

- (54) **FIXED MOUNT THERMAL CAMERA**
- (71) Applicant: **Fluke Corporation**, Everett, WA (US)
- (72) Inventors: **Ferdinand Y. Laurino**, Seattle, WA (US); **Aaron Laho**, Big Lake, MN (US)
- (73) Assignee: **Fluke Corporation**, Everett, WA (US)
- (**) Term: **15 Years**
- (21) Appl. No.: **29/642,471**
- (22) Filed: **Mar. 29, 2018**
- (51) **LOC (12) Cl.** **16-01**
- (52) **U.S. Cl.**
USPC **D16/203**
- (58) **Field of Classification Search**
USPC D16/200, 202–206, 218, 219, 242;
348/143, 148, 151, 373–376; 396/419,
396/427, 535, 539–541
CPC G03B 17/02; G03B 19/04; G03B 17/56;
G03B 17/04; G03B 15/03; H04N 5/2251;
H04N 5/2252; H04N 5/2253; H04N
5/2254; H04N 7/181; H04N 7/183; H04N
7/18; G08B 13/1963; G08B 13/19619;
G08B 13/19632; F16M 11/04; F16M
13/00
See application file for complete search history.

(56) **References Cited**
U.S. PATENT DOCUMENTS

- D366,271 S * 1/1996 Hasegawa D16/203
- D446,801 S * 8/2001 Adachi D16/203

- 6,683,654 B1 * 1/2004 Haijima H04N 5/2252
348/335
- D524,347 S * 7/2006 Takahashi D16/202
- D529,063 S * 9/2006 Cheng D16/203
- 7,221,402 B2 * 5/2007 Cheng H04N 5/2254
348/375
- D563,450 S * 3/2008 Cheng D16/200
- D612,408 S * 3/2010 Yamakawa D16/203
- D613,784 S * 4/2010 Wang D16/203
- D633,543 S * 3/2011 Park D16/203
- D732,100 S * 6/2015 Jeong D16/203
- D739,888 S * 9/2015 Liang D16/203
- D744,022 S * 11/2015 Petty D16/202

* cited by examiner

Primary Examiner — Ramzi S Almatrahi
(74) *Attorney, Agent, or Firm* — Seed IP Law Group LLP

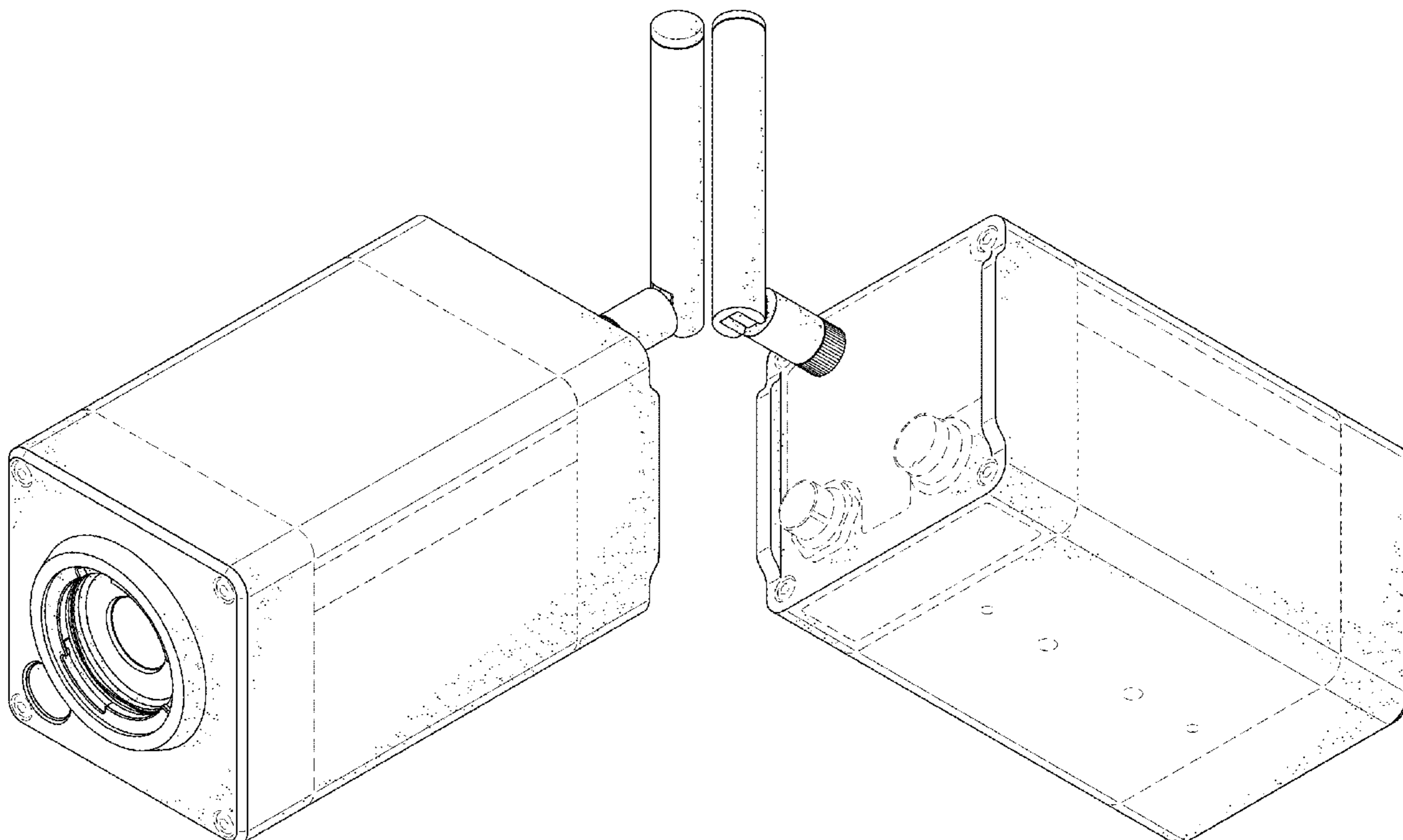
(57) **CLAIM**

The ornamental design for a fixed mount thermal camera, as shown and described.

DESCRIPTION

FIG. 1 is a top, front right perspective view of a fixed mount thermal camera showing our new design.
 FIG. 2 is a bottom, rear left perspective view thereof.
 FIG. 3 is a front elevation view thereof.
 FIG. 4 is a right side elevation view thereof.
 FIG. 5 is a top plan view thereof.
 FIG. 6 is a left side elevation view thereof.
 FIG. 7 is a rear elevation view thereof; and,
 FIG. 8 is a bottom plan view thereof.
 The broken lines depict portions of the fixed mount thermal camera in which the design is embodied that form no part of the claimed design.

1 Claim, 8 Drawing Sheets



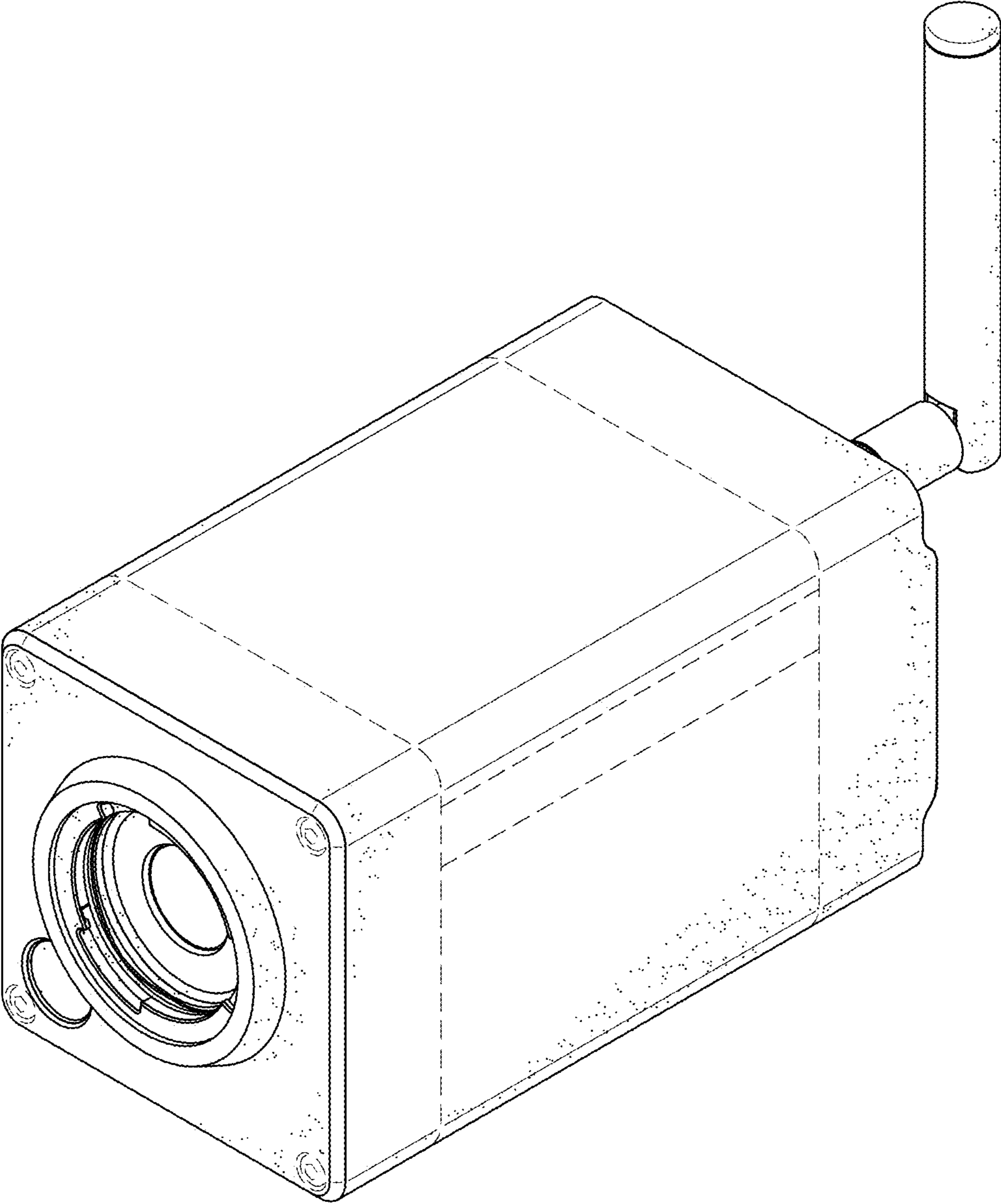


FIG. 1

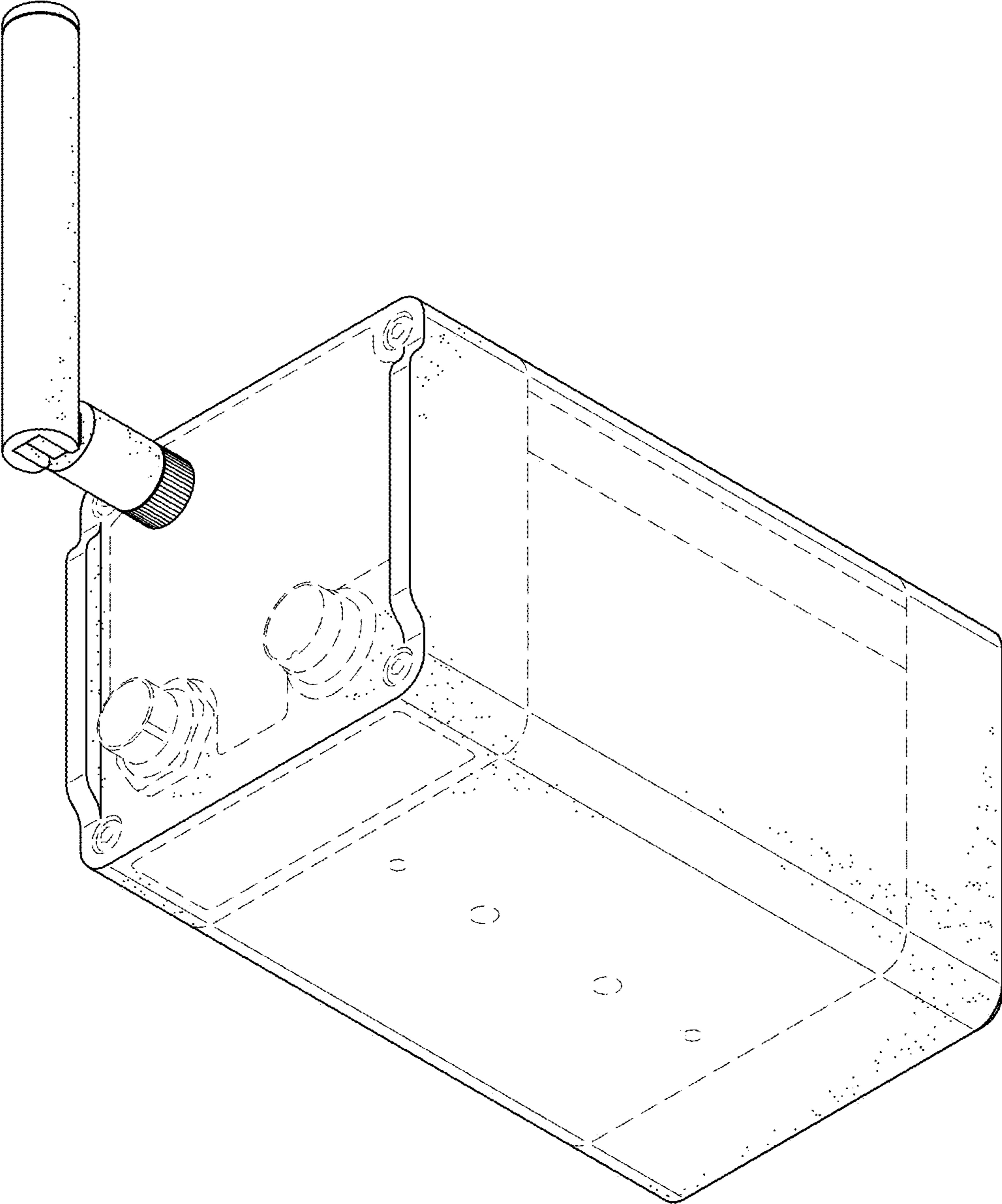


FIG. 2

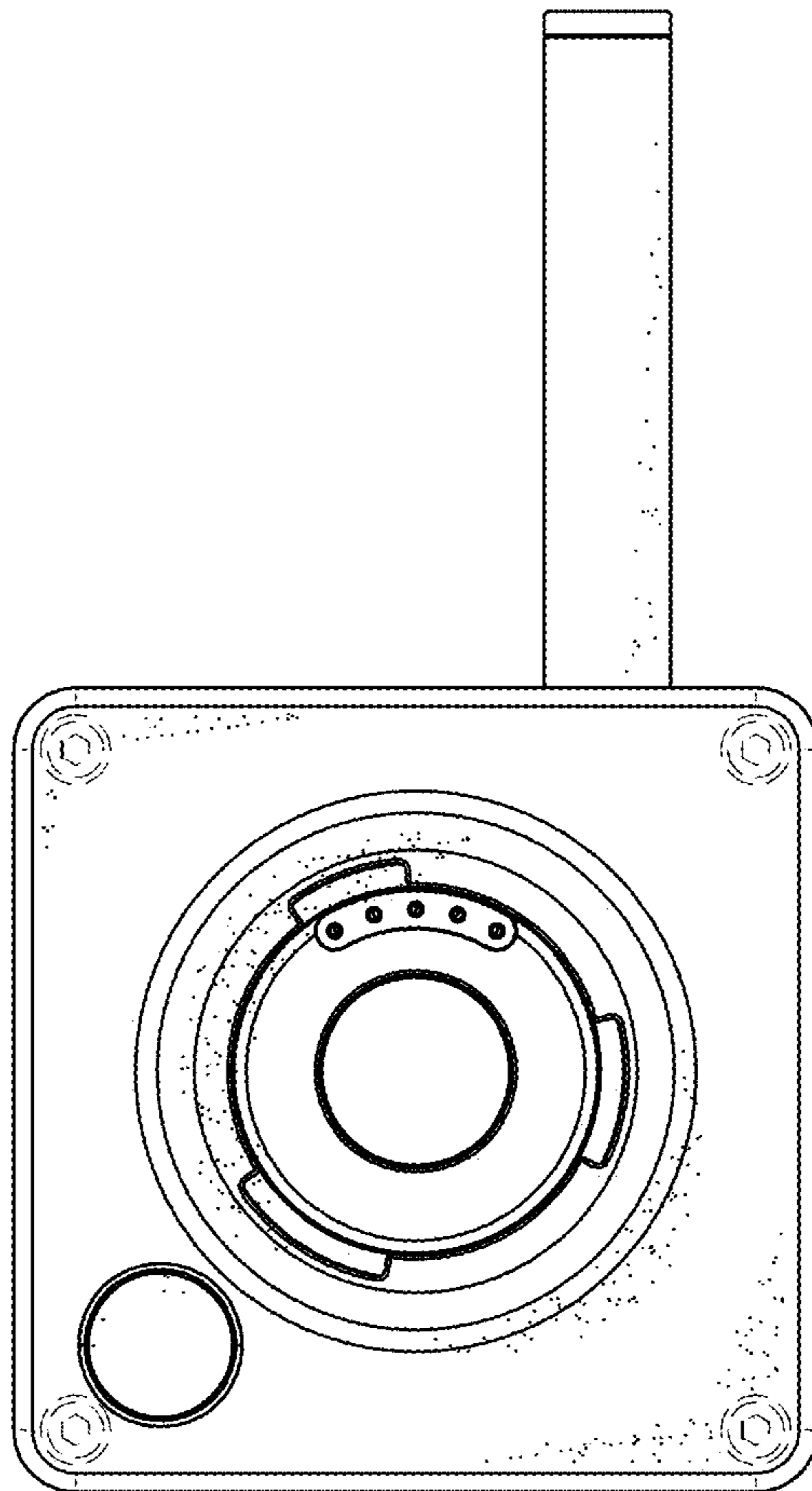


FIG. 3

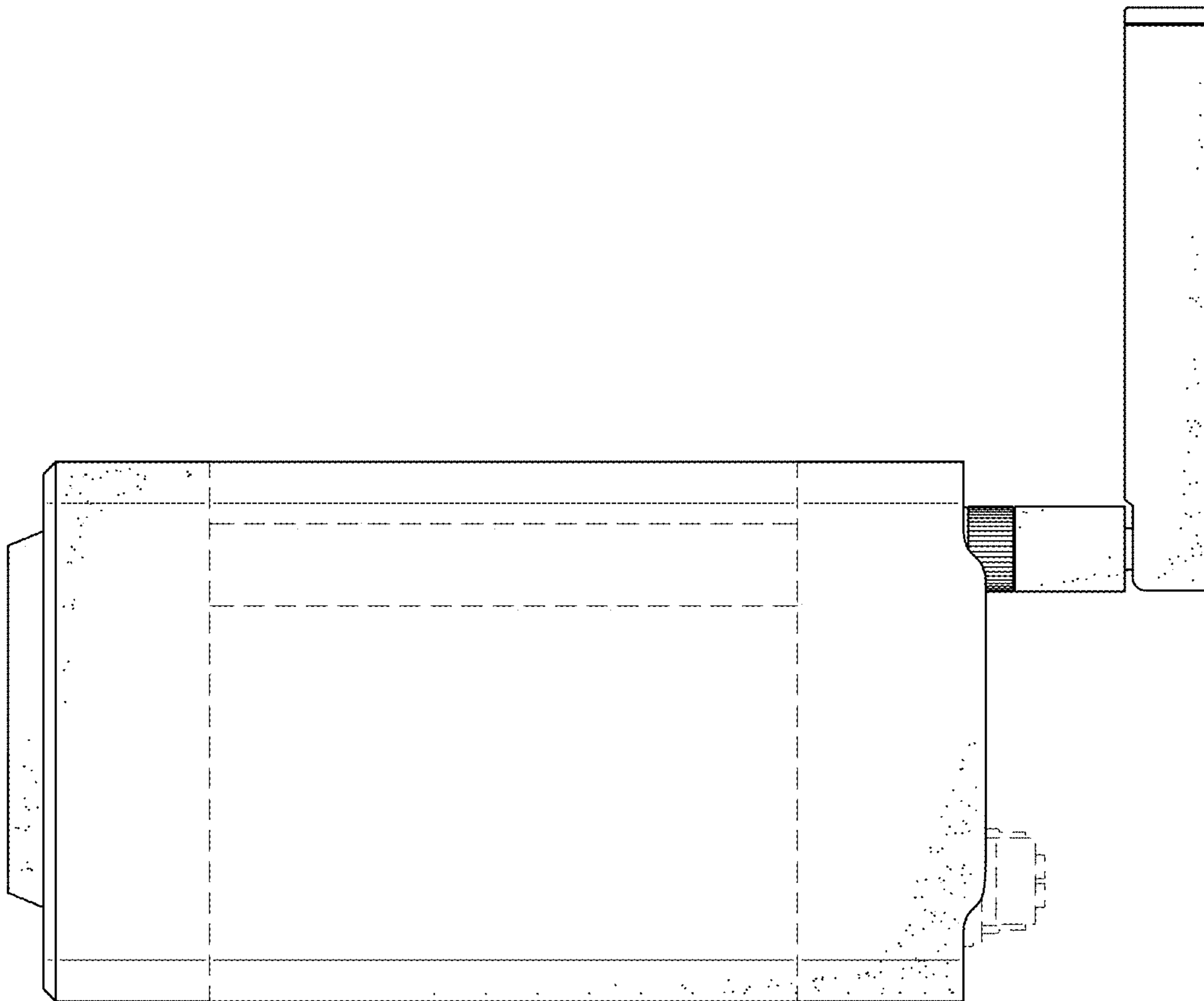


FIG. 4

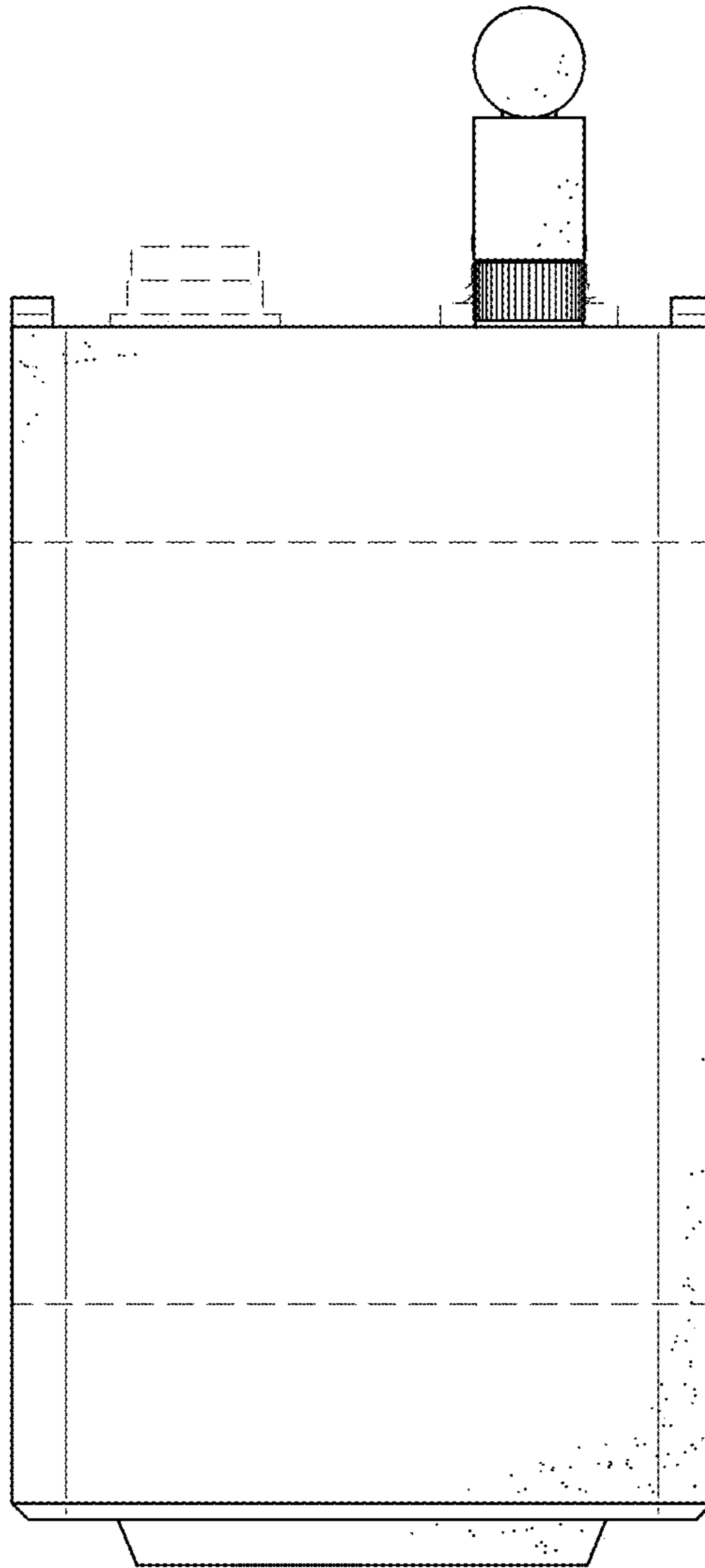


FIG. 5

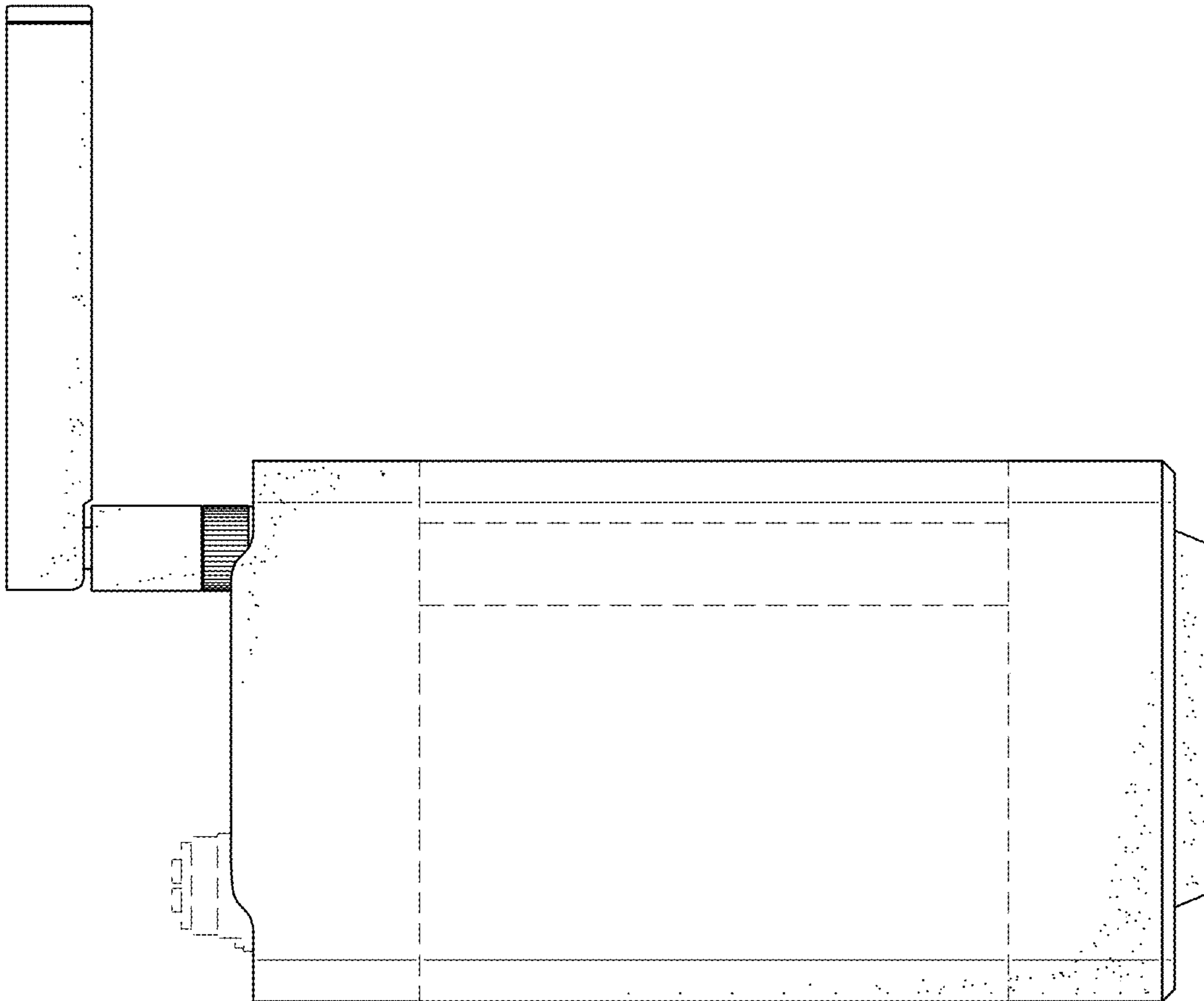


FIG. 6

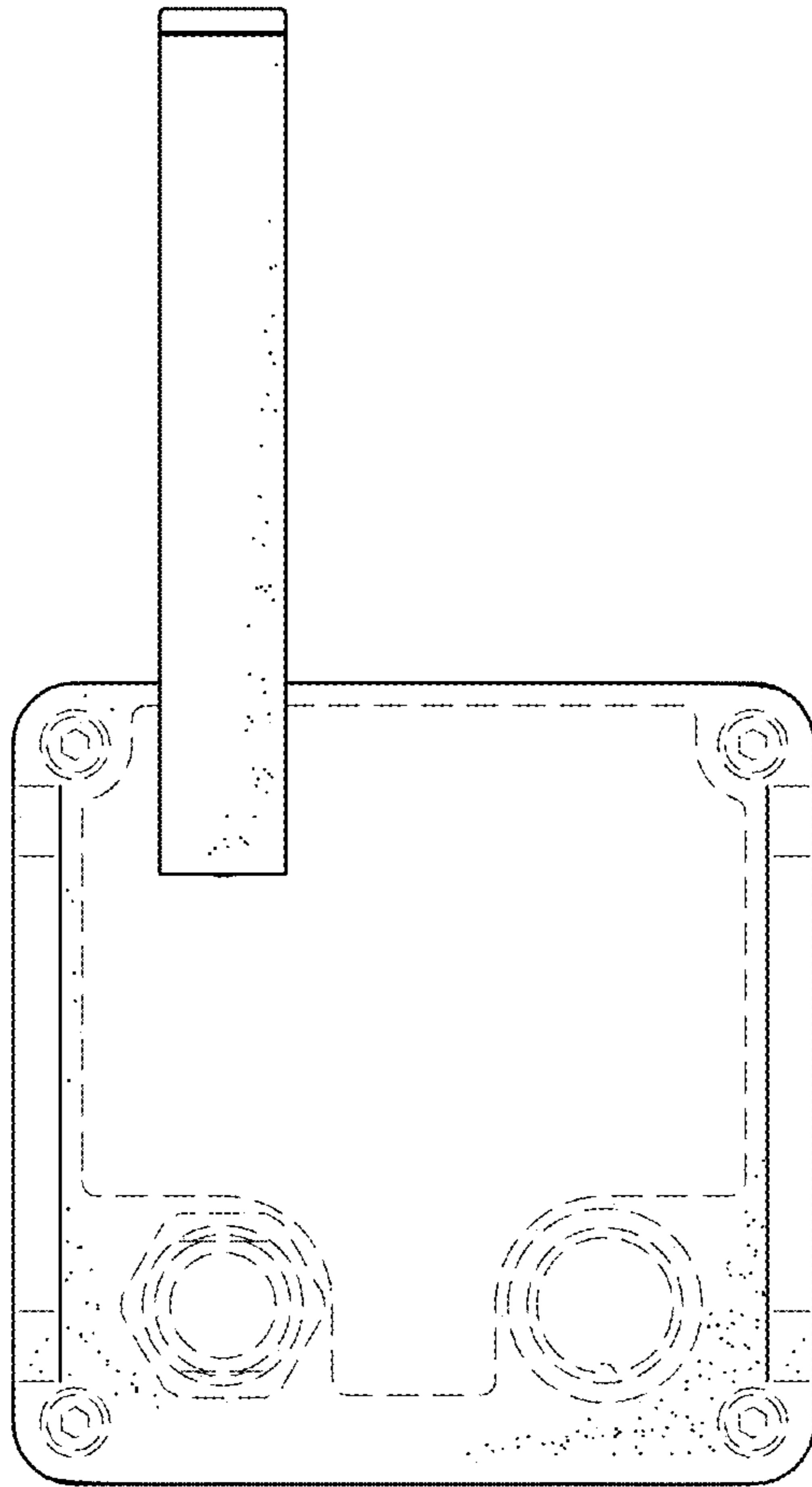


FIG. 7

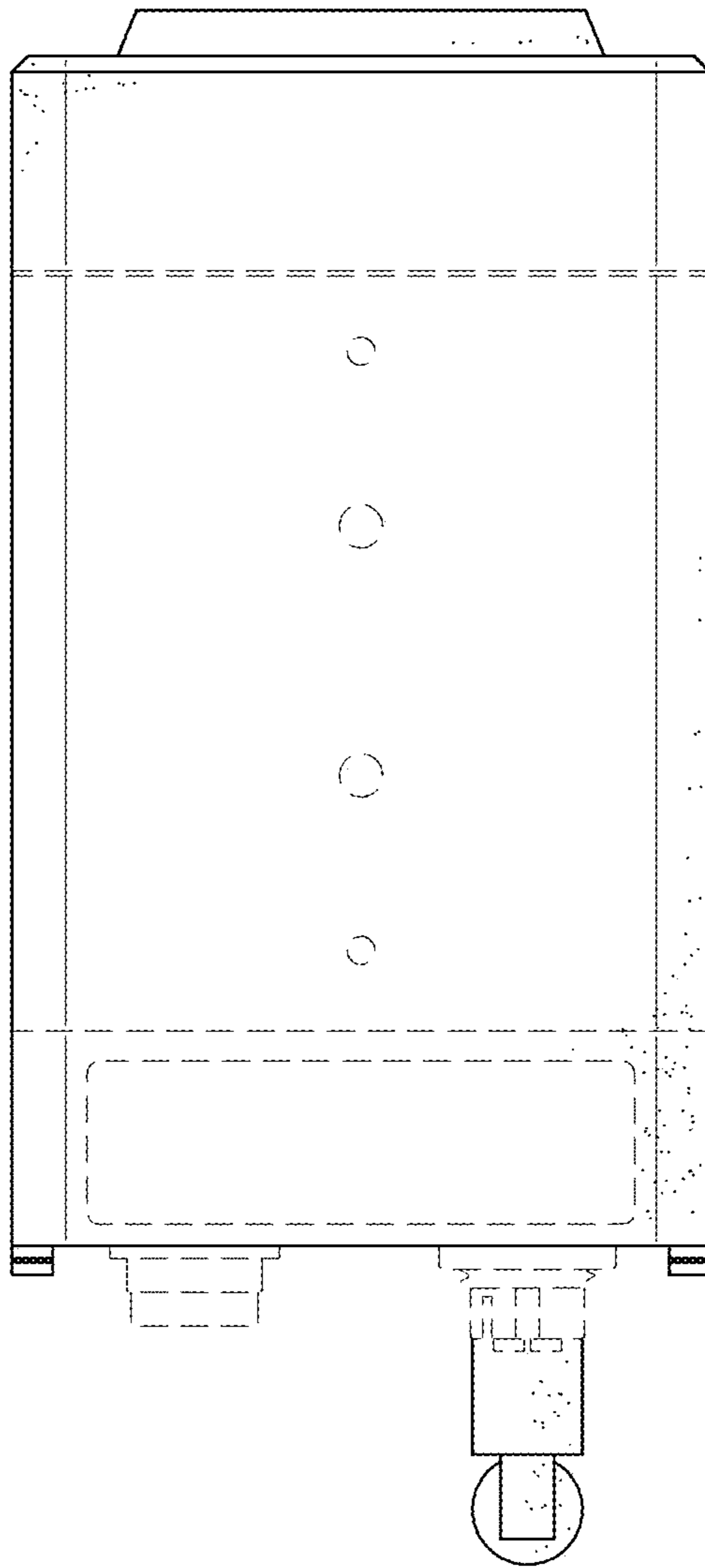


FIG. 8