



US00D875156S

(12) **United States Design Patent**  
**Tanifuji**

(10) **Patent No.:** **US D875,156 S**

(45) **Date of Patent:** **\*\* Feb. 11, 2020**

(54) **VIDEO CAMERA BODY**

(71) Applicant: **JVC KENWOOD Corporation**,  
Kanagawa-ku, Yokohama-shi,  
Kanagawa (JP)

(72) Inventor: **Shuji Tanifuji**, Yokohama (JP)

(73) Assignee: **JVC KENWOOD CORPORATION**,  
Yokohama-Shi (JP)

(\*\*) Term: **15 Years**

(21) Appl. No.: **29/654,460**

(22) Filed: **Jun. 25, 2018**

(30) **Foreign Application Priority Data**

Dec. 28, 2017 (JP) ..... D2017-029490

(51) **LOC (12) Cl.** ..... **16-01**

(52) **U.S. Cl.**  
USPC ..... **D16/202; D16/205**

(58) **Field of Classification Search**  
USPC ..... D16/200–220, 131, 237, 242, 239, 250,  
D16/235, 130, 134, 136, 238;  
D14/138 C, 240, 248, 203.1, 203.3, 203.7,  
D14/218, 207; D10/104.1, 50, 65, 74,  
D10/70, 118.2

CPC . G02B 7/02; G02B 7/021; G02B 7/04; G02B  
7/14; G02B 7/003; G03B 17/00; G03B  
17/02; G03B 17/56; G03B 17/04; G03B  
17/14; G03B 17/08; G03B 15/03; G03B  
15/06; H04N 5/2251; H04N 5/2252;  
H04N 5/2253; H04N 5/2254; H04N 7/00;  
H04N 2101/00; F16M 13/00

See application file for complete search history.

(56) **References Cited**

**U.S. PATENT DOCUMENTS**

D191,240 S \* 8/1961 Kezickl ..... D16/205  
D288,812 S \* 3/1987 Miyashita ..... D16/202

4,885,643 A \* 12/1989 Ichimura ..... G11B 15/10  
386/314  
D314,201 S \* 1/1991 Maeyama ..... D16/202  
D349,126 S \* 7/1994 Lee ..... 16/231  
D350,552 S \* 9/1994 Cha ..... D16/202  
5,767,906 A \* 6/1998 Toyofuku ..... H04N 5/2251  
348/375

(Continued)

**FOREIGN PATENT DOCUMENTS**

CN 303423957 \* 10/2015  
JP D1456011 \* 11/2012

**OTHER PUBLICATIONS**

GY-HC900 Connected Cam broadcast camcorder, published Apr. 20, 2018 [online], [retrieved Sep. 22, 2019], Available from Internet, URL: <https://www.creativeplanetnetwork.com/government-video/jvc-launches-connected-cam-camcorder-at-nab-show>.\*

*Primary Examiner* — T Chase Nelson

*Assistant Examiner* — Mary Claire Ramirez

(74) *Attorney, Agent, or Firm* — Cantor Colburn LLP

(57) **CLAIM**

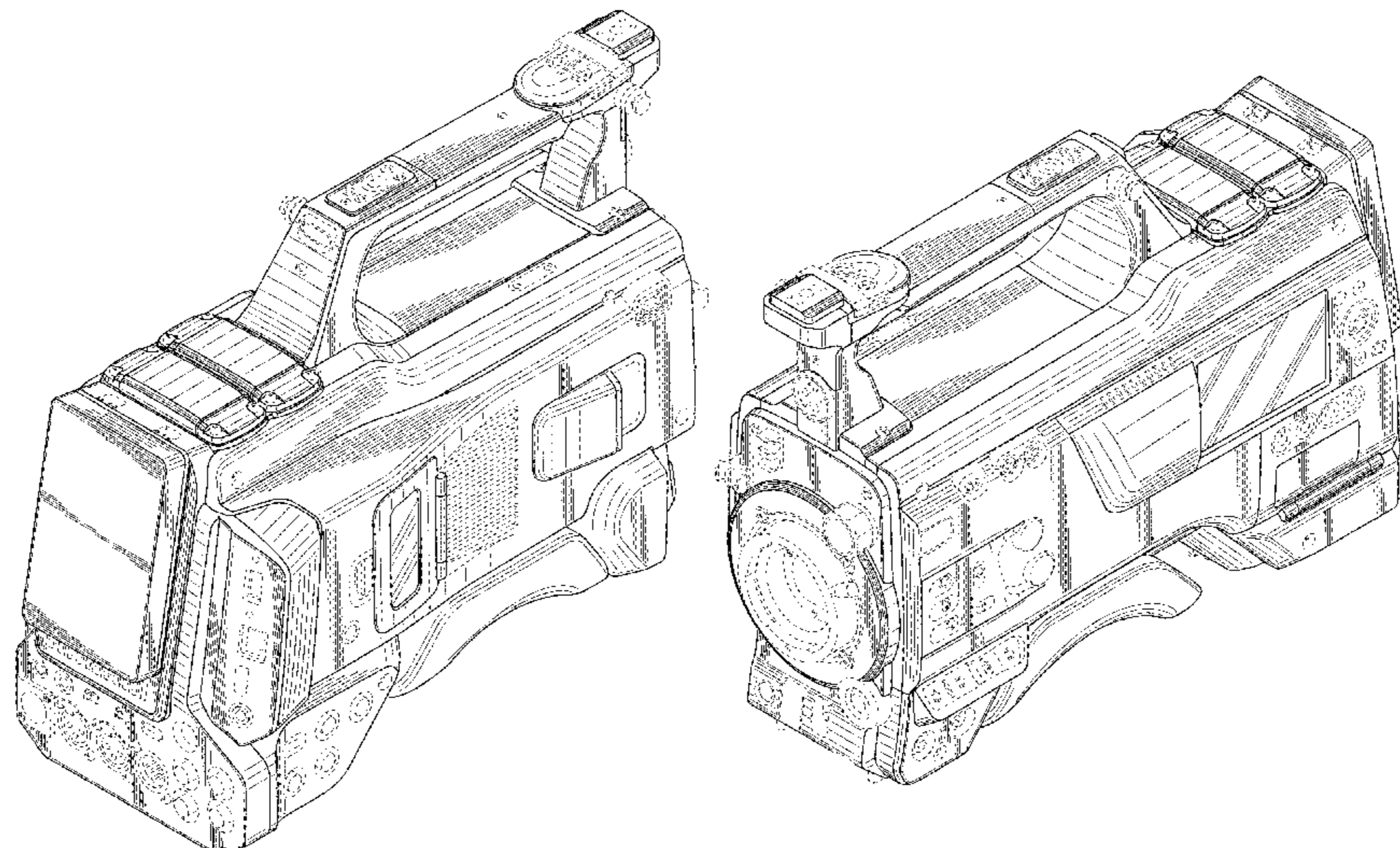
The ornamental design for a video camera body, as shown and described.

**DESCRIPTION**

FIG. 1 is a perspective view of a video camera body showing the new design;  
FIG. 2 is a perspective view thereof;  
FIG. 3 is a front view thereof;  
FIG. 4 is a rear view thereof;  
FIG. 5 is a right side view thereof;  
FIG. 6 is a left side view thereof;  
FIG. 7 is a top view thereof; and,  
FIG. 8 is a bottom view thereof.

The broken lines in the drawings are for the purpose of illustrating portions of the video camera body that form no part of the claimed design.

**1 Claim, 8 Drawing Sheets**



(56)

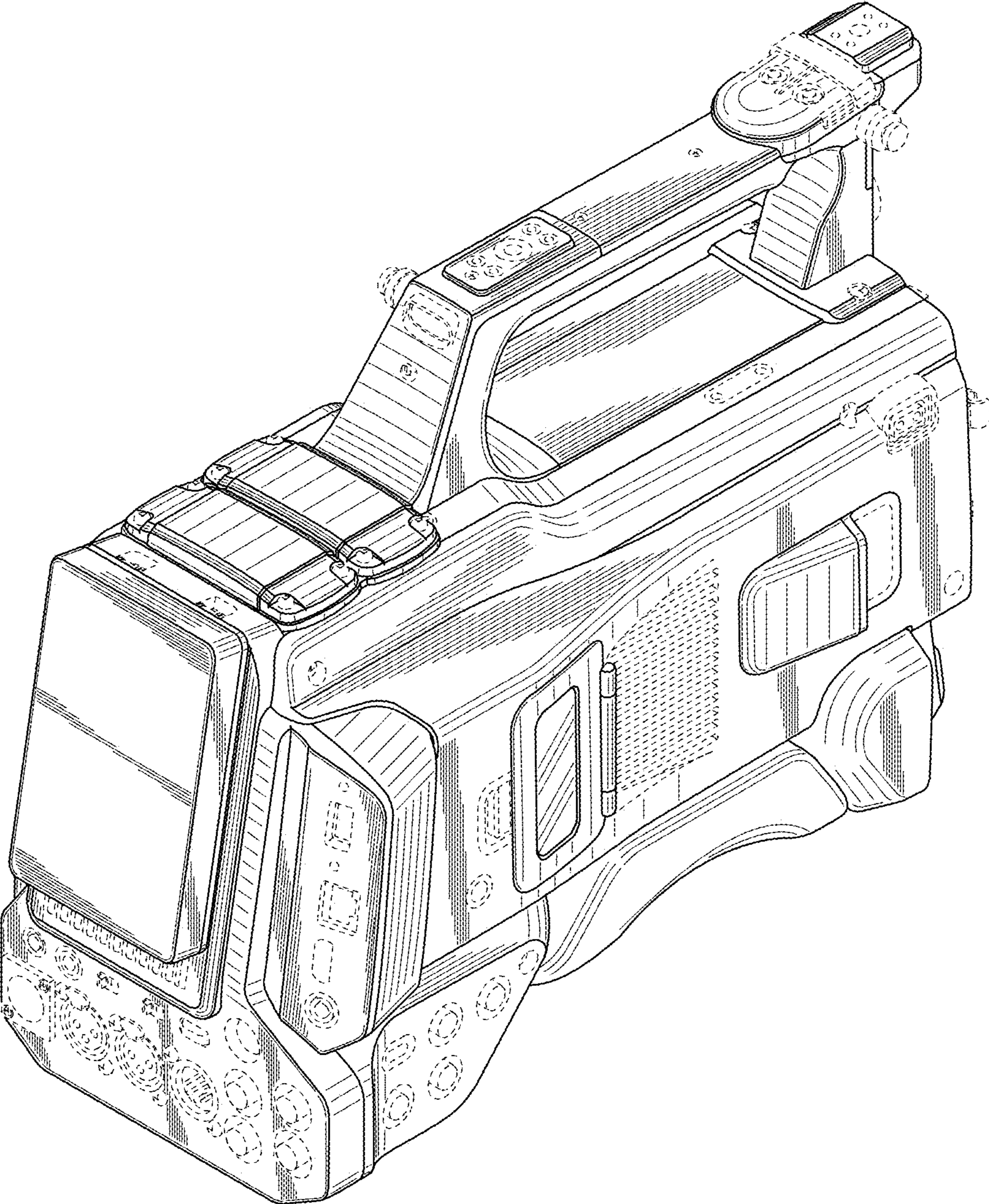
References Cited

U.S. PATENT DOCUMENTS

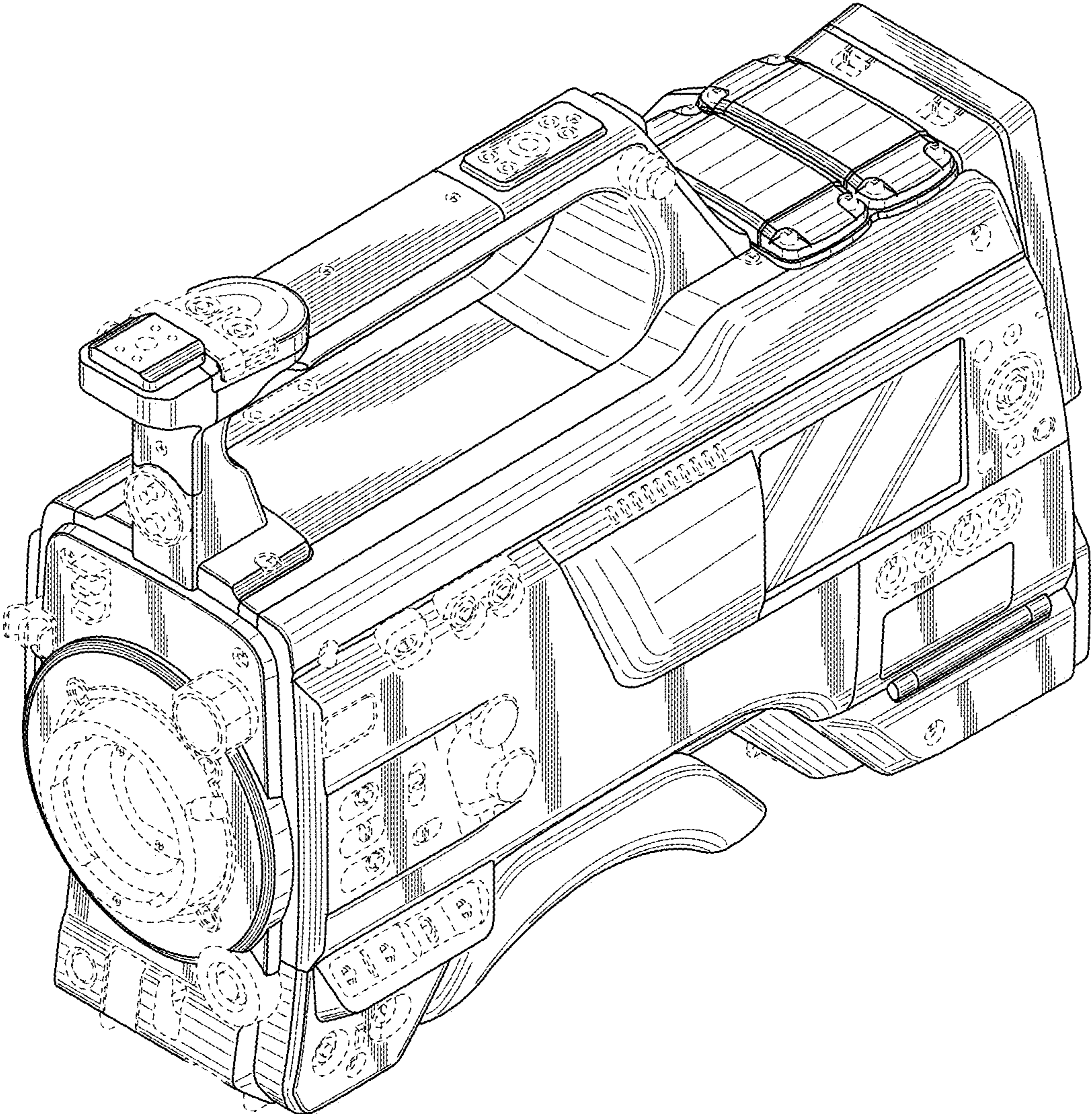
D404,748 S *	1/1999	Miyashita	.....	D16/202				
6,434,325 B1 *	8/2002	Noda	.....	G11B 31/006				
				348/E5.025				
D477,343 S *	7/2003	Miyashita	.....	D16/202				
D483,781 S *	12/2003	Granaas	.....	D16/202				
D486,845 S *	2/2004	Oka	.....	D16/202				
D551,688 S *	9/2007	Uchiyama	.....	D16/202				
D559,879 S *	1/2008	Sumita	.....	D16/202				
D574,027 S *	7/2008	Miyazaki	.....	D16/202				
7,595,837 B2 *	9/2009	Kobayashi	.....	H04N 5/2252				
				348/373				
D676,888 S *	2/2013	Hayashi	.....	D16/203				
D679,305 S *	4/2013	Wu	.....	D16/202				
D693,871 S *	11/2013	Tanifuji	.....	D16/202				
D705,843 S *	5/2014	Kawai	.....	D16/202				
D741,929 S *	10/2015	Tanifuji	.....	D16/202				
D752,125 S *	3/2016	Arimoto	.....	D16/202				
D768,225 S *	10/2016	Hirose	.....	D16/219				
D769,955 S *	10/2016	Faehrmann	.....	D16/202				
					D815,179 S *	4/2018	Hogstedt	..... D16/205
					2008/0198255 A1 *	8/2008	Kirihara	..... G03B 13/02
								348/341
					2008/0284895 A1 *	11/2008	Kaji	..... G03B 13/06
								348/333.06
					2009/0059397 A1 *	3/2009	Igarashi	..... G03B 17/02
								359/818
					2009/0256956 A1 *	10/2009	Furuhashi	..... H04N 5/2251
								348/376
					2010/0226643 A1 *	9/2010	Tachiki	..... G03B 17/02
								396/535
					2011/0109784 A1 *	5/2011	Akiyama	..... H04N 5/23293
								348/333.06
					2011/0116774 A1 *	5/2011	Aoki	..... G03B 17/08
								386/362
					2012/0057027 A1 *	3/2012	Wu	..... G03B 13/02
								348/164
					2017/0255084 A1 *	9/2017	Yoneda	..... H04N 5/2251
					2018/0164663 A1 *	6/2018	Ishida	..... G03B 17/14
					2019/0258021 A1 *	8/2019	Iritani	..... G02B 7/003

\* cited by examiner

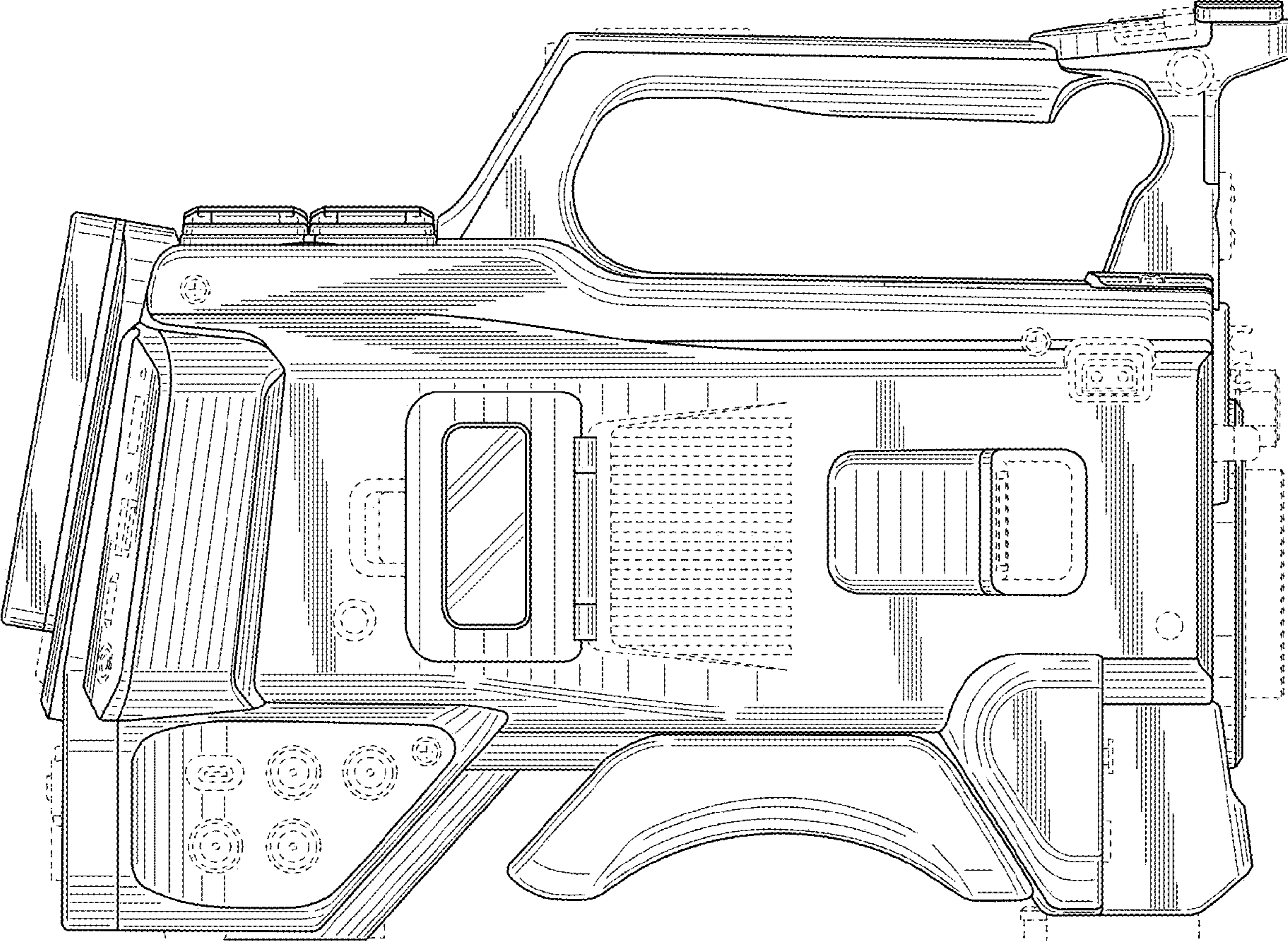
**FIG. 1**



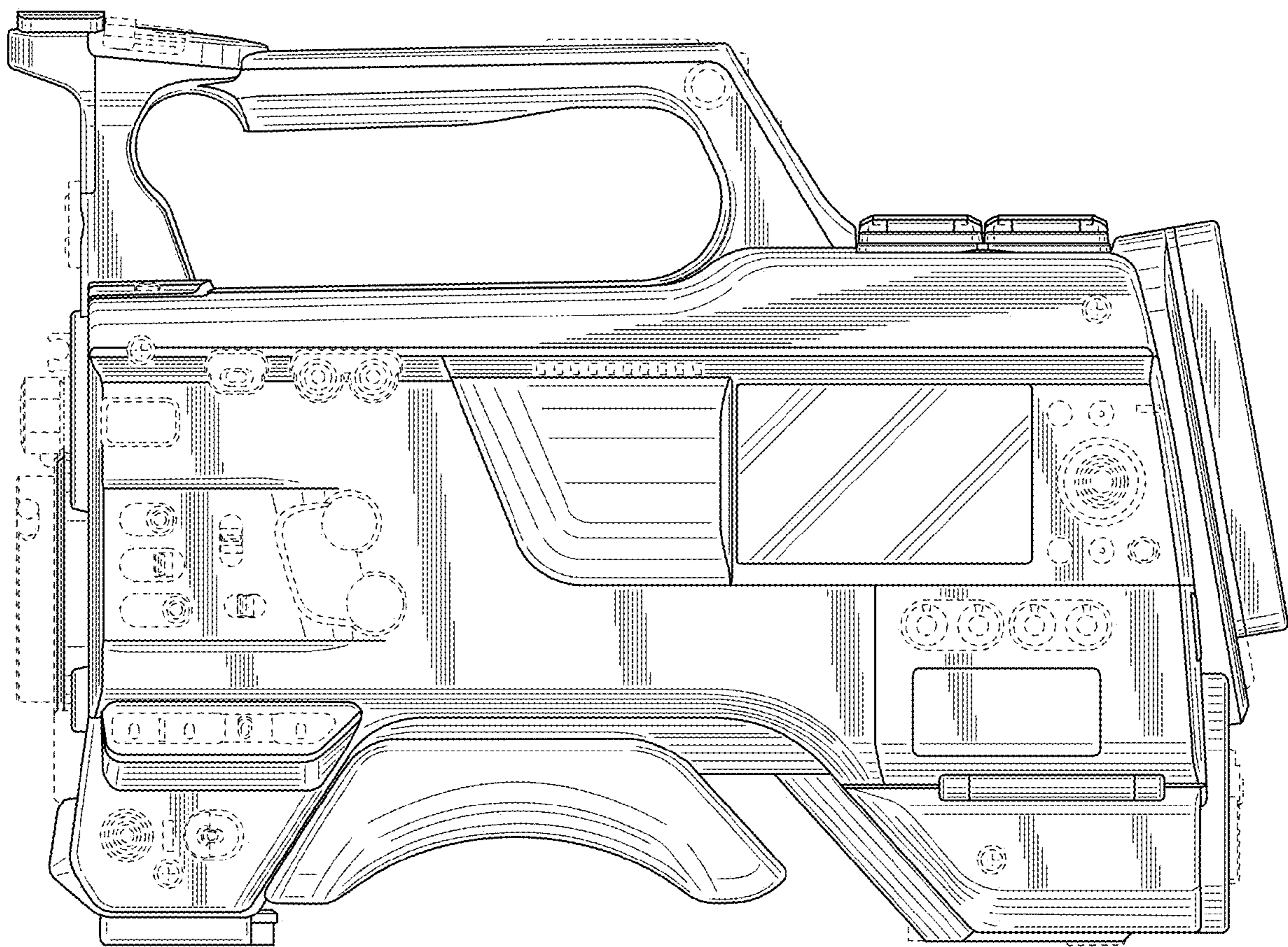
**FIG. 2**



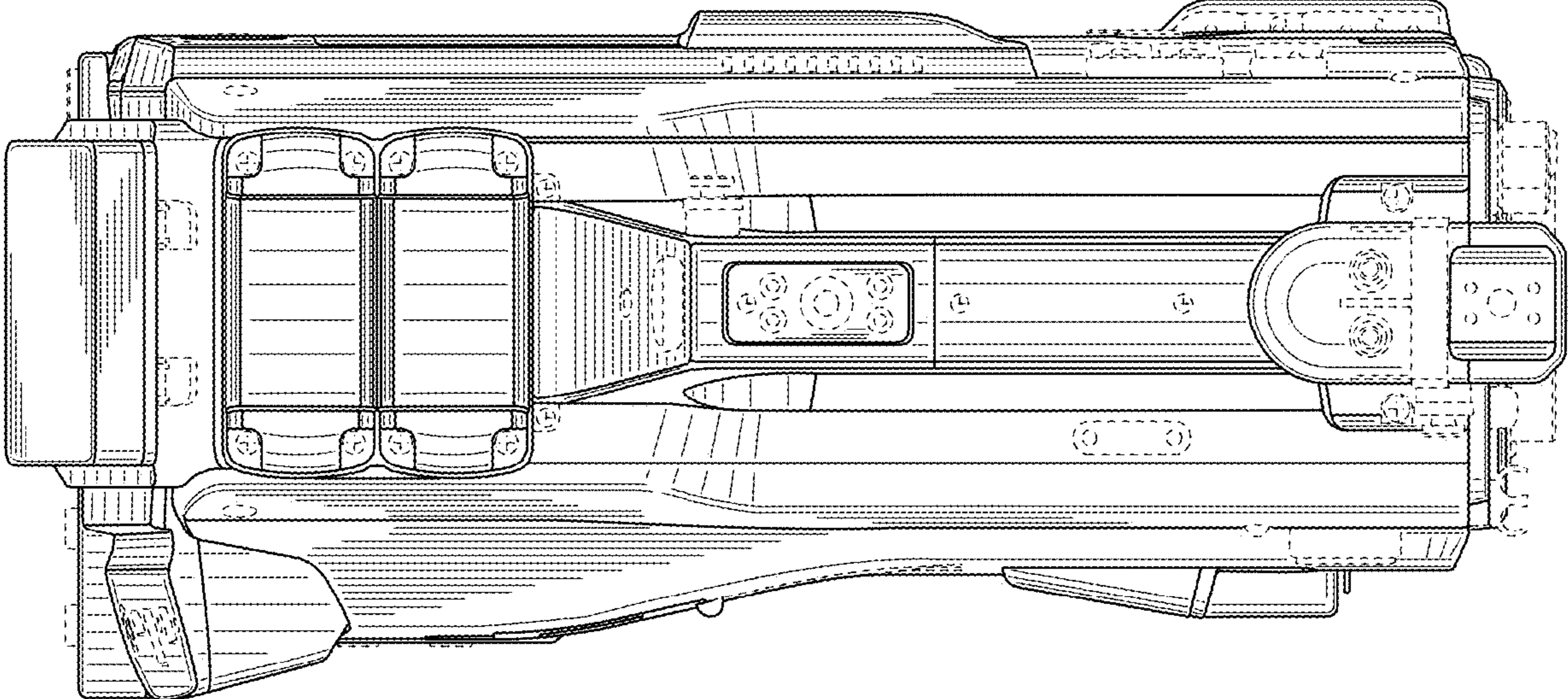
**FIG. 3**



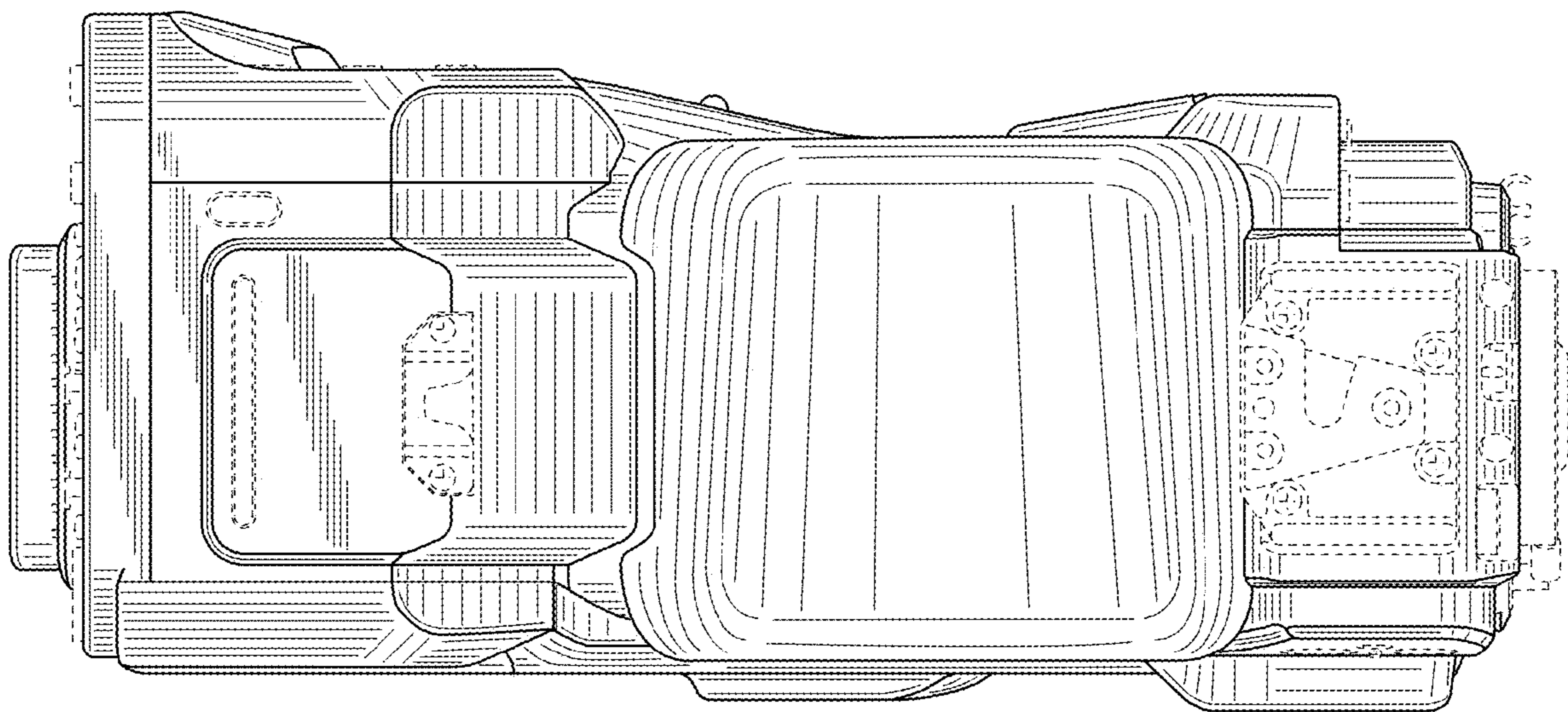
**FIG. 4**



**FIG. 5**

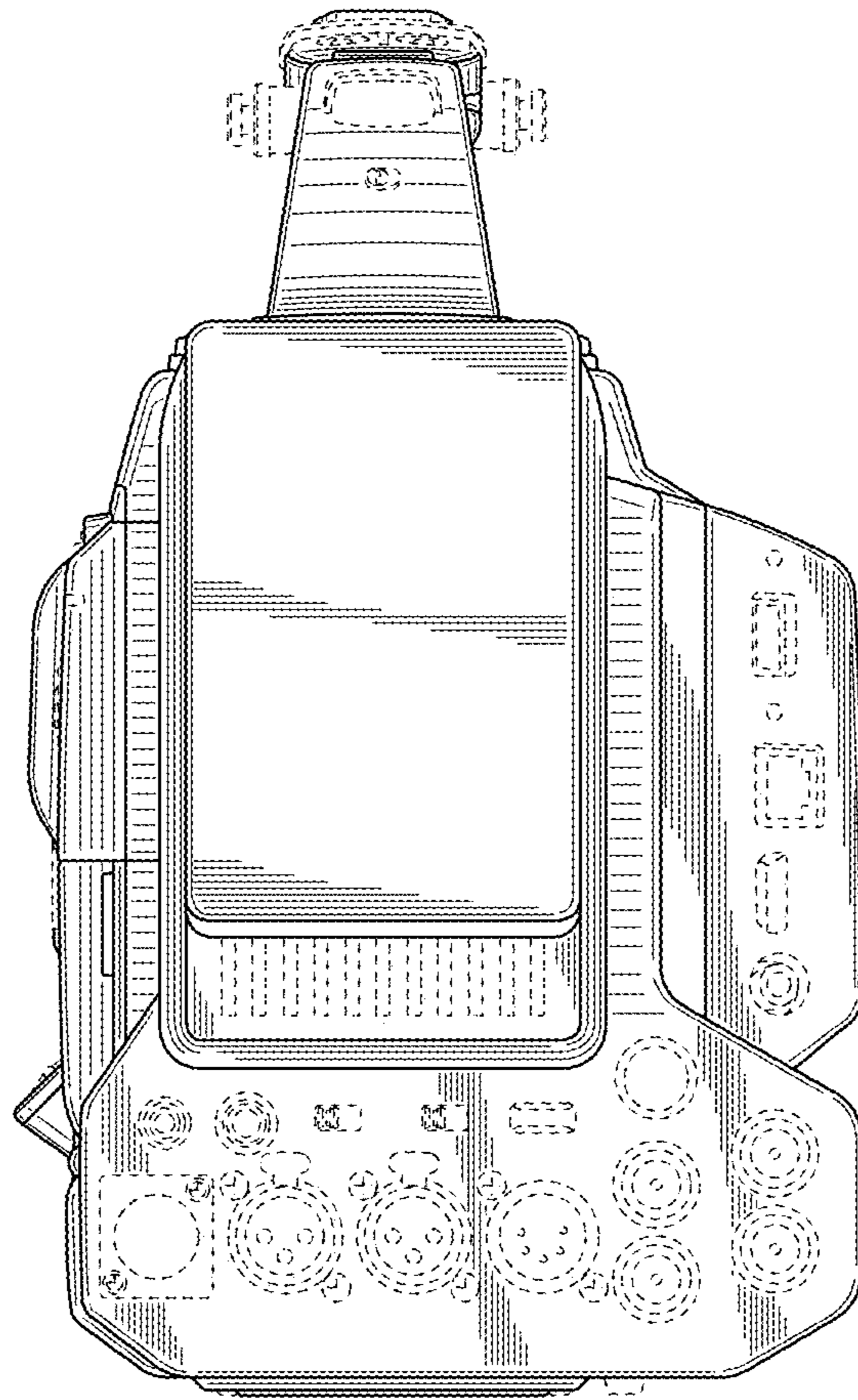


**FIG. 6**





**FIG. 7**



**FIG. 8**

