

US00D875154S

(12) **United States Design Patent**  
**Chen**

(10) **Patent No.:** **US D875,154 S**

(45) **Date of Patent:** **\*\* Feb. 11, 2020**

(54) **VIDEO CAMERA**

(71) Applicant: **Shenzhen Xuxiang Electronic Co., Limited, Shenzhen (CN)**

(72) Inventor: **Haijun Chen, Shenzhen (CN)**

(\*\*) Term: **15 Years**

(21) Appl. No.: **29/631,386**

(22) Filed: **Dec. 29, 2017**

(51) **LOC (12) Cl.** ..... **16-01**

(52) **U.S. Cl.**

USPC ..... **D16/202**

(58) **Field of Classification Search**

USPC ..... D16/200–220, 131, 237, 242, 239, 250,  
D16/235, 130, 134, 136, 238;  
D14/138 C, 240, 248, 203.1, 203.3, 203.7,  
D14/218; D10/104.1, 50, 65, 74, 70,  
D10/118.2

CPC ... G02B 7/02; G02B 7/04; G02B 7/14; G02B  
3/14; G03B 17/00; G03B 17/02; G03B  
17/56; G03B 17/04; G03B 17/14; G03B  
15/03; G03B 9/08; H04N 5/2251; H04N  
5/2252; H04N 5/2253; H04N 5/2254;  
H04N 7/00; H04N 2101/00; F16M 13/00

See application file for complete search history.

(56) **References Cited**

**U.S. PATENT DOCUMENTS**

D119,392 S	*	3/1940	Lessler	.....	D16/217
D490,832 S	*	6/2004	Yonekawa	.....	D16/202
D547,349 S	*	7/2007	Sakaguchi	.....	D16/202
D550,736 S	*	9/2007	Sakai	.....	D16/202
D550,743 S	*	9/2007	Bai	.....	D16/200
D552,646 S	*	10/2007	Bai	.....	D16/200
D555,687 S	*	11/2007	Yoo	.....	D16/202
D561,222 S	*	2/2008	Yoo	.....	D16/202
D571,844 S	*	6/2008	Lee	.....	D16/202
D576,189 S	*	9/2008	Shimizu	.....	D16/202

D577,756 S	*	9/2008	Nakamura	.....	D16/202
D583,400 S	*	12/2008	Lee	.....	D16/202
D589,072 S	*	3/2009	Morisawa	.....	D16/202
D596,218 S	*	7/2009	Kim	.....	D16/202
D597,576 S	*	8/2009	Kim	.....	D16/202
D597,577 S	*	8/2009	Kim	.....	D16/202
D597,578 S	*	8/2009	Kim	.....	D16/202
D606,103 S	*	12/2009	Ogura	.....	D16/202
D628,220 S	*	11/2010	Lee	.....	D16/202
D662,958 S	*	7/2012	Fujita	.....	D16/202
D676,475 S	*	2/2013	Tainaka	.....	D16/200
D681,712 S	*	5/2013	Kim	.....	D16/202
D689,914 S	*	9/2013	Uemachi	.....	D16/202

(Continued)

**FOREIGN PATENT DOCUMENTS**

CN	303416076	*	5/2015
CN	303423946	*	6/2015
CN	304333397	*	5/2017

*Primary Examiner* — Barbara Fox

*Assistant Examiner* — Mary Claire Ramirez

(74) *Attorney, Agent, or Firm* — American Patent Agency PC; Daniar Hussain

(57) **CLAIM**

The ornamental design for a video camera, as shown.

**DESCRIPTION**

FIG. 1 is a perspective view of a video camera showing my new design;

FIG. 2 is a back view thereof;

FIG. 3 is a front view thereof;

FIG. 4 is a top view thereof;

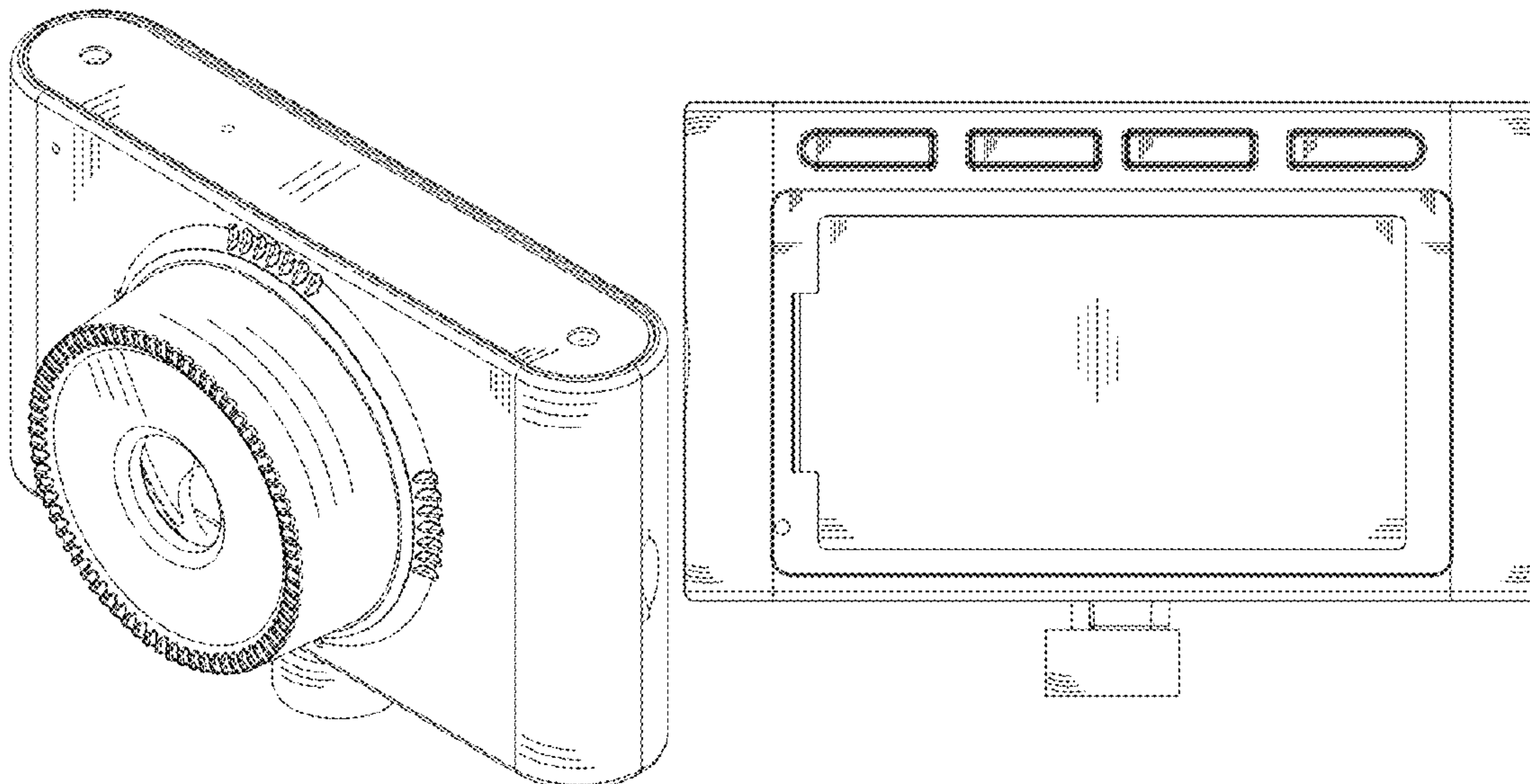
FIG. 5 is a bottom view thereof;

FIG. 6 is a right side view thereof; and,

FIG. 7 is a left side view thereof.

The dashed lines in FIGS. 1, 3, 4, 5, 6, and 7 show elements of the video camera that are not claimed, and form no part of the claimed design.

**1 Claim, 7 Drawing Sheets**



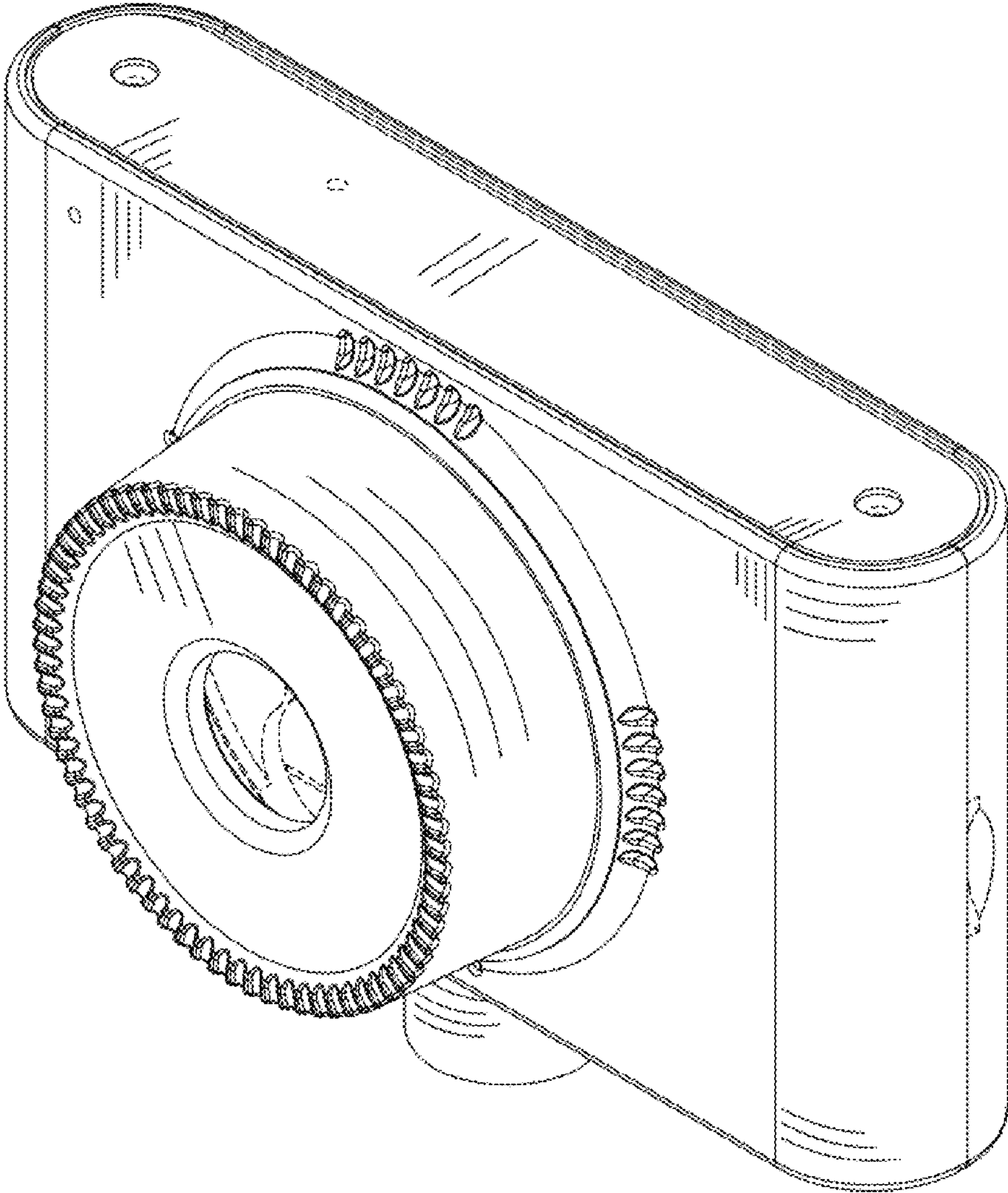
(56)

**References Cited**

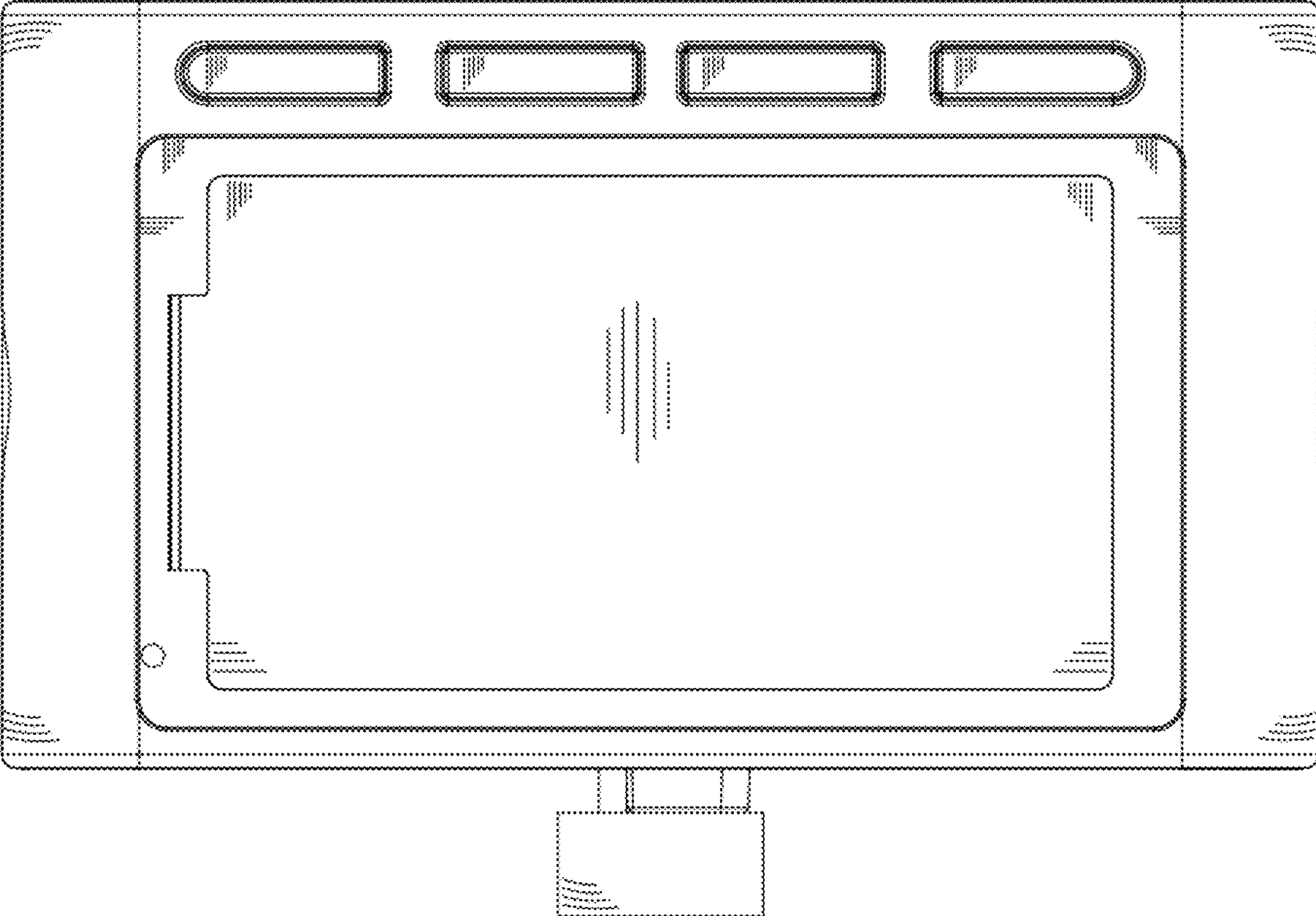
U.S. PATENT DOCUMENTS

D692,044 S \* 10/2013 Uemachi ..... D16/219  
D860,287 S \* 9/2019 Ive ..... D16/202

\* cited by examiner

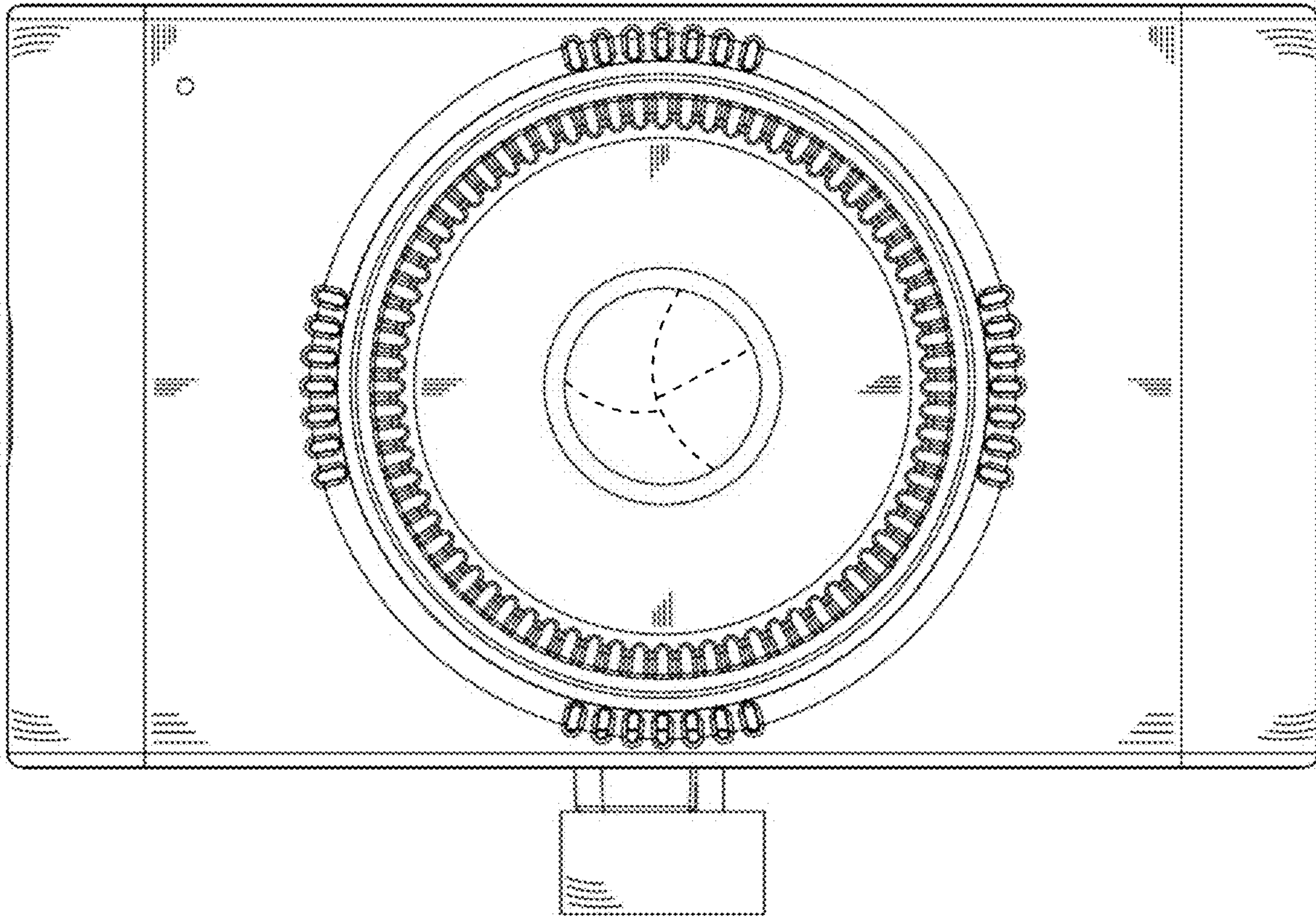


**FIG. 1**

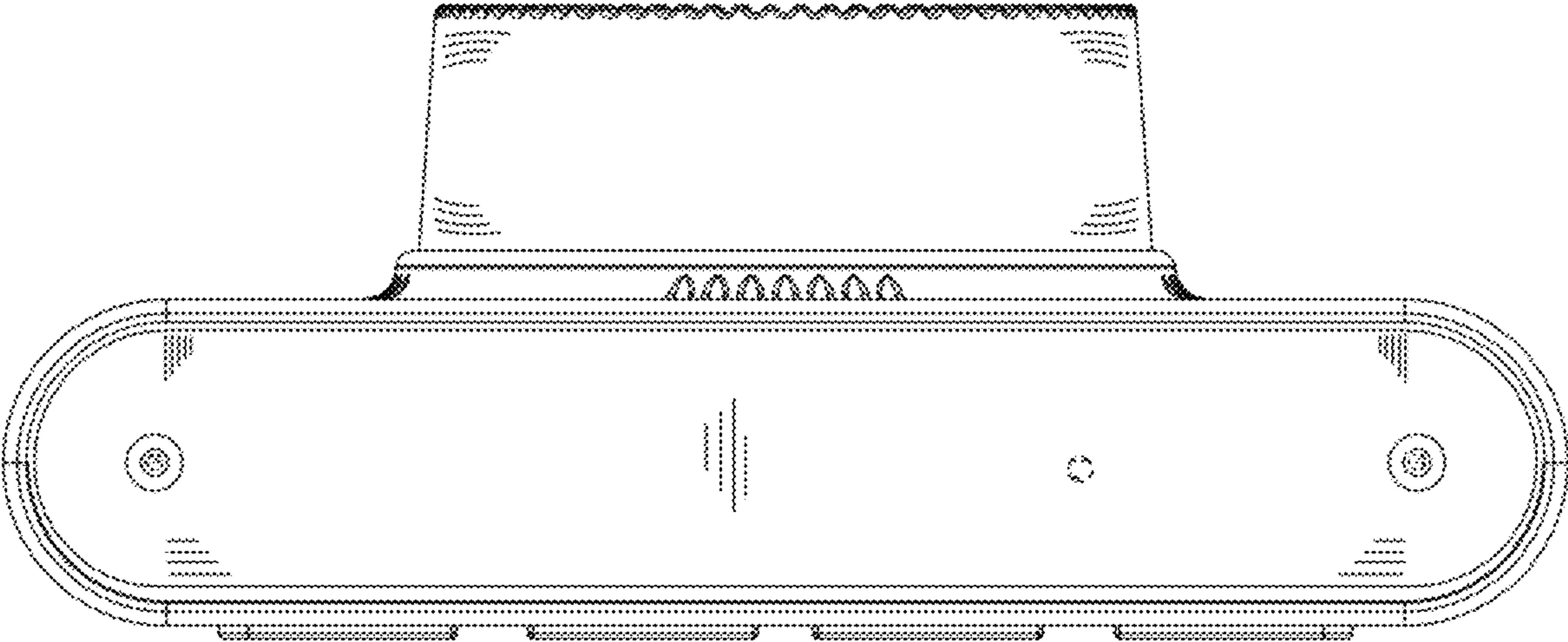


**FIG. 2**

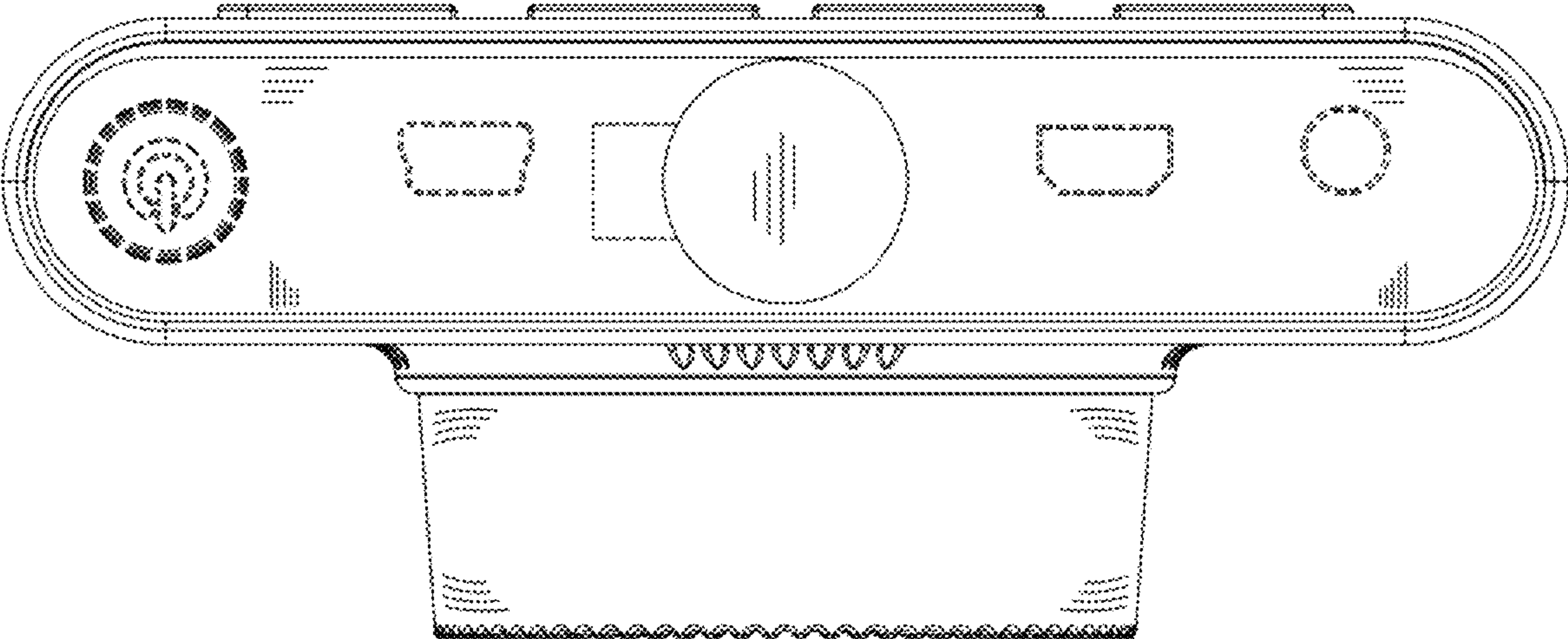




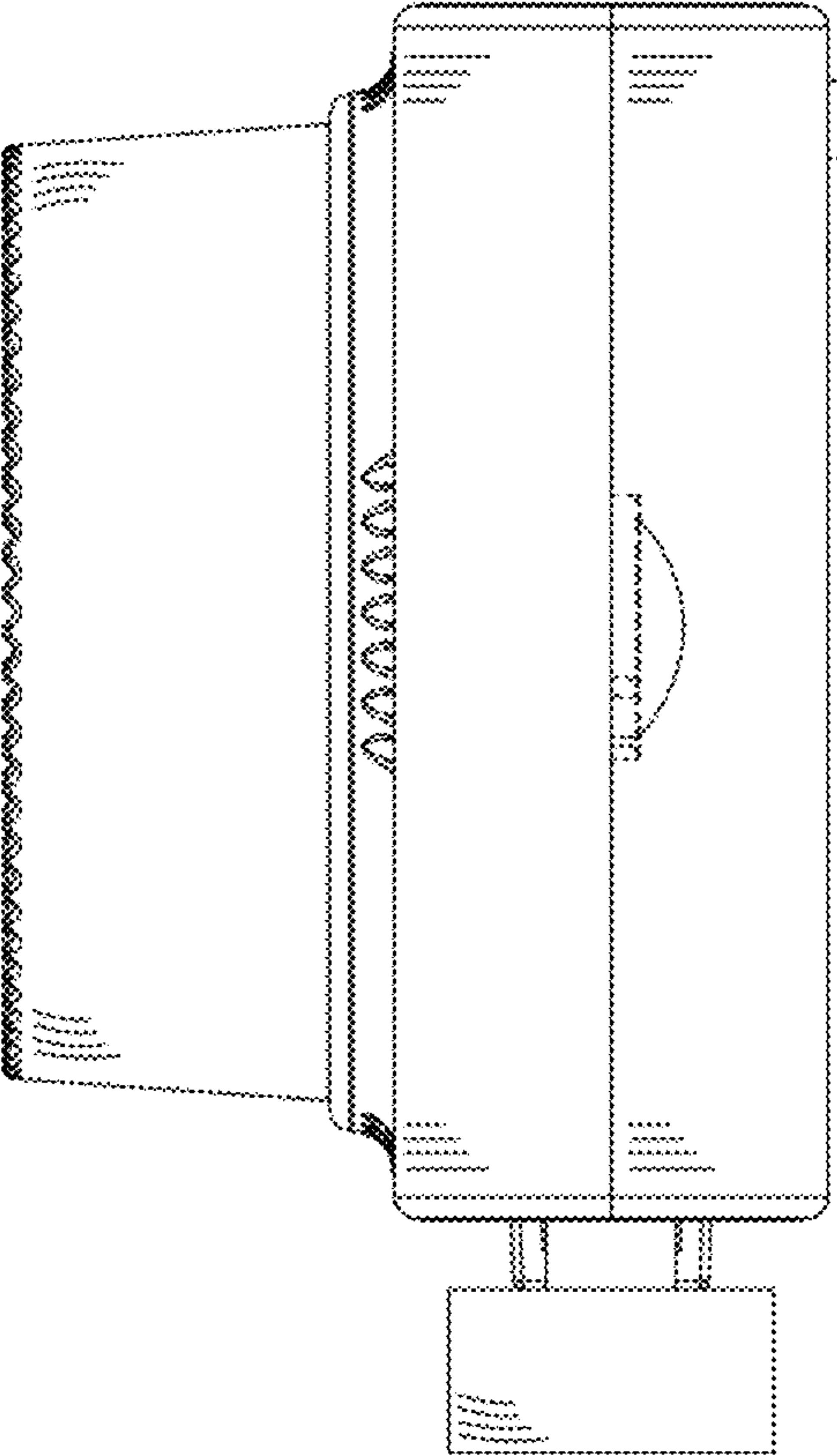
**FIG. 3**



**FIG. 4**

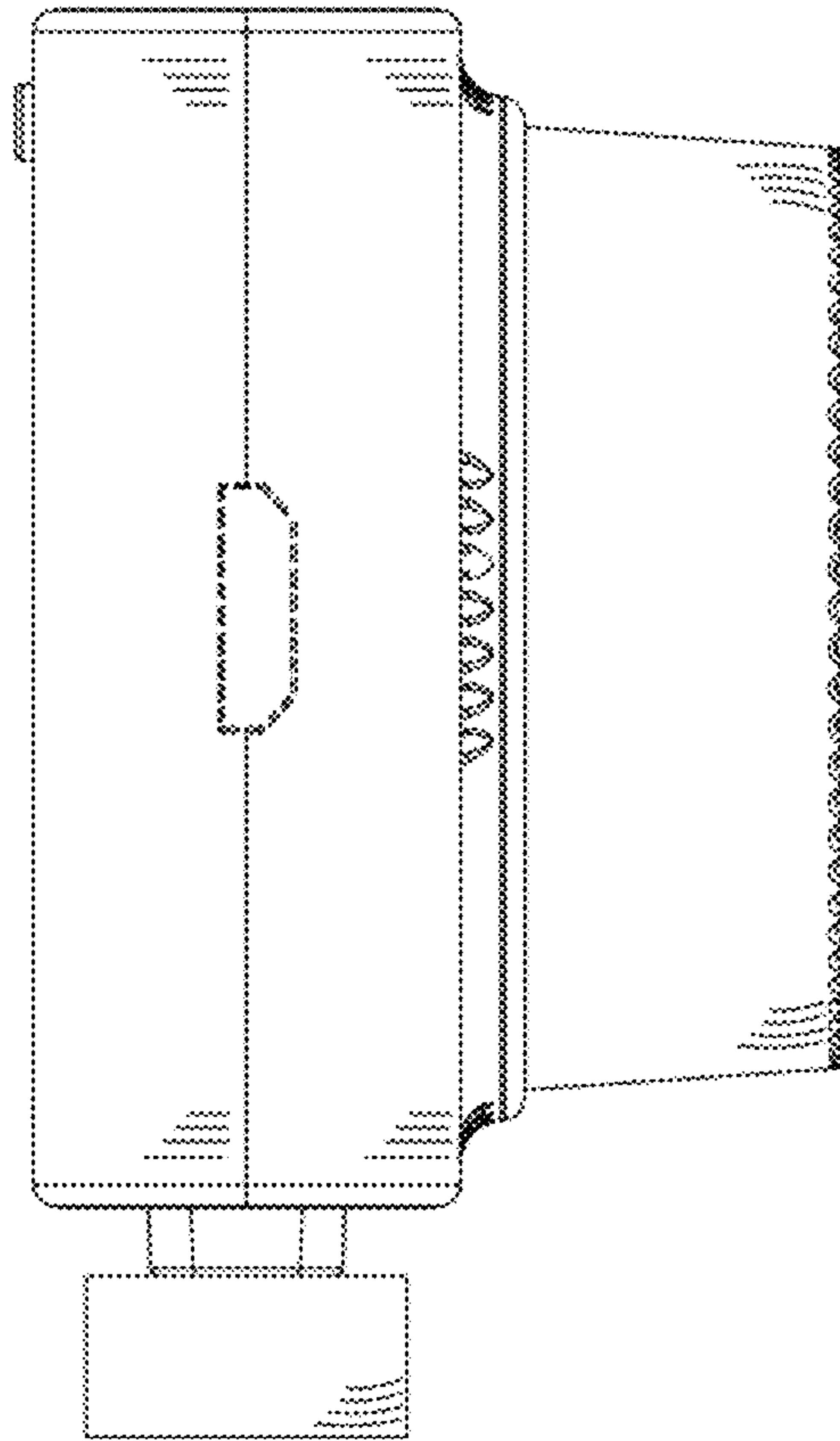


**FIG. 5**



**FIG. 6**





**FIG. 7**