

US00D875152S

(12) **United States Design Patent** (10) **Patent No.:** **US D875,152 S**  
**McCormack et al.** (45) **Date of Patent:** **\*\* Feb. 11, 2020**

- (54) **CAMERA HOUSING**
- (71) Applicant: **OxBlue Corporation**, Atlanta, GA (US)
- (72) Inventors: **Chandler McCormack**, Atlanta, GA (US); **Bryan Mattern**, Atlanta, GA (US); **Anthony Butler**, Atlanta, GA (US)
- (73) Assignee: **OxBlue Corporation**, Atlanta, GA (US)
- (\*\*) Term: **15 Years**
- (21) Appl. No.: **29/639,724**
- (22) Filed: **Mar. 8, 2018**
- (51) **LOC (12) Cl.** ..... **16-01**
- (52) **U.S. Cl.**  
USPC ..... **D16/200**
- (58) **Field of Classification Search**  
USPC ..... D16/200, 202–208, 218, 219, 242;  
348/143, 148, 151, 373–376; 396/419,  
396/427, 535, 539–541; 248/176.1, 187.1  
CPC ..... G03B 17/02; G03B 19/04; G03B 17/56;  
G03B 17/04; G03B 15/03; H04N 5/2251;  
H04N 5/2252; H04N 5/2253; H04N  
5/2254; H04N 7/181; H04N 7/183; H04N  
7/18  
See application file for complete search history.

- D835,697 S \* 12/2018 Andersson ..... D16/203
- D836,149 S \* 12/2018 Ahman ..... D16/203
- D848,505 S \* 5/2019 Bull ..... D16/203

**OTHER PUBLICATIONS**

OxBlue Construction Cameras—Technical Specifications; <https://oxblue.com/products/constructions-cameras/technical-specifications.php>; 3 pages (accessed Feb. 9, 2018).  
Construction Time-Lapse Cameras; <https://oxblue.com/products/construction-cameras/index.php>, 4 pages (accessed Feb. 9, 2018).

\* cited by examiner

*Primary Examiner* — Ramzi S Almatrahi  
(74) *Attorney, Agent, or Firm* — Baker, Donelson, Bearman, Caldwell & Berkowitz, PC

(57) **CLAIM**

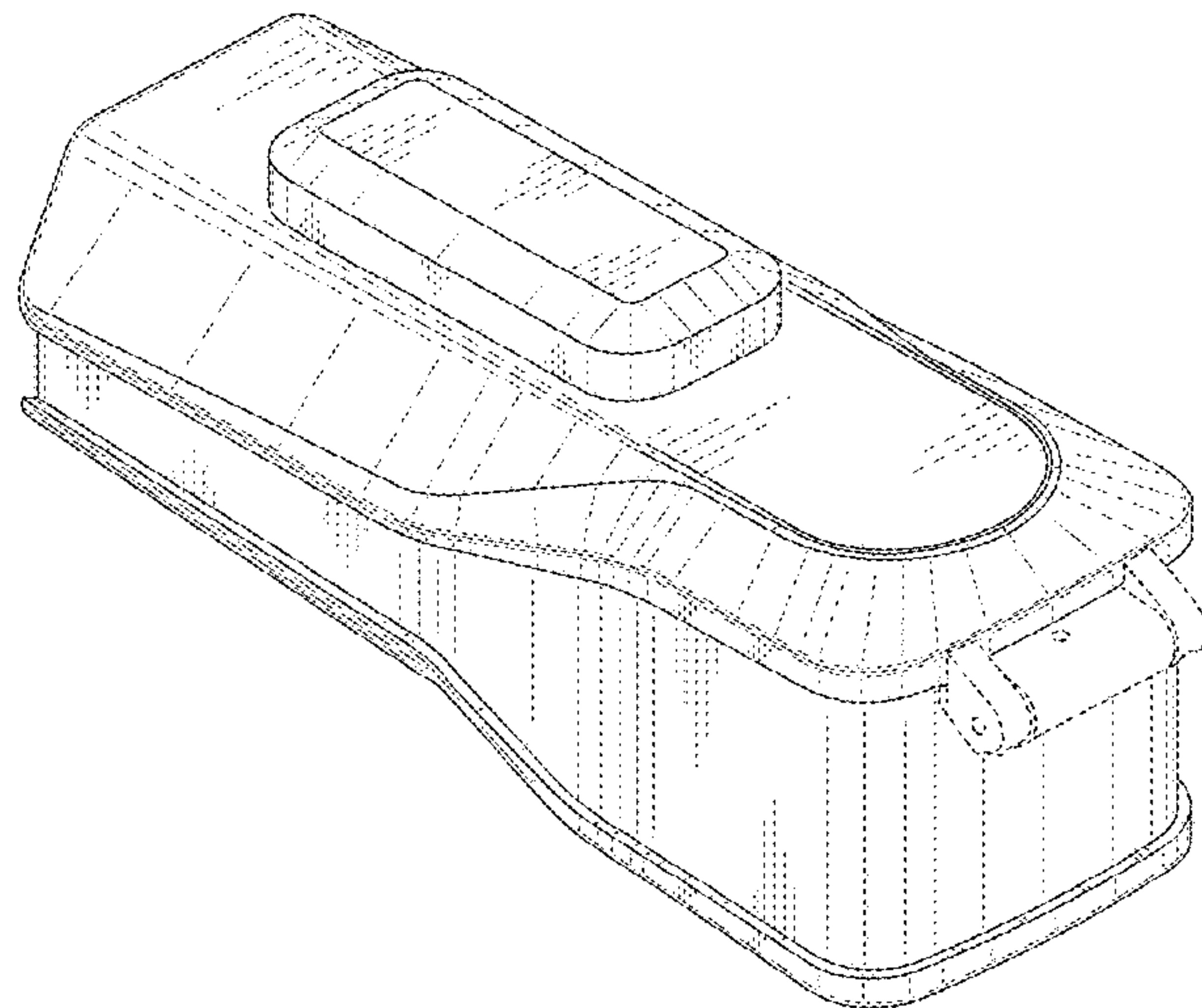
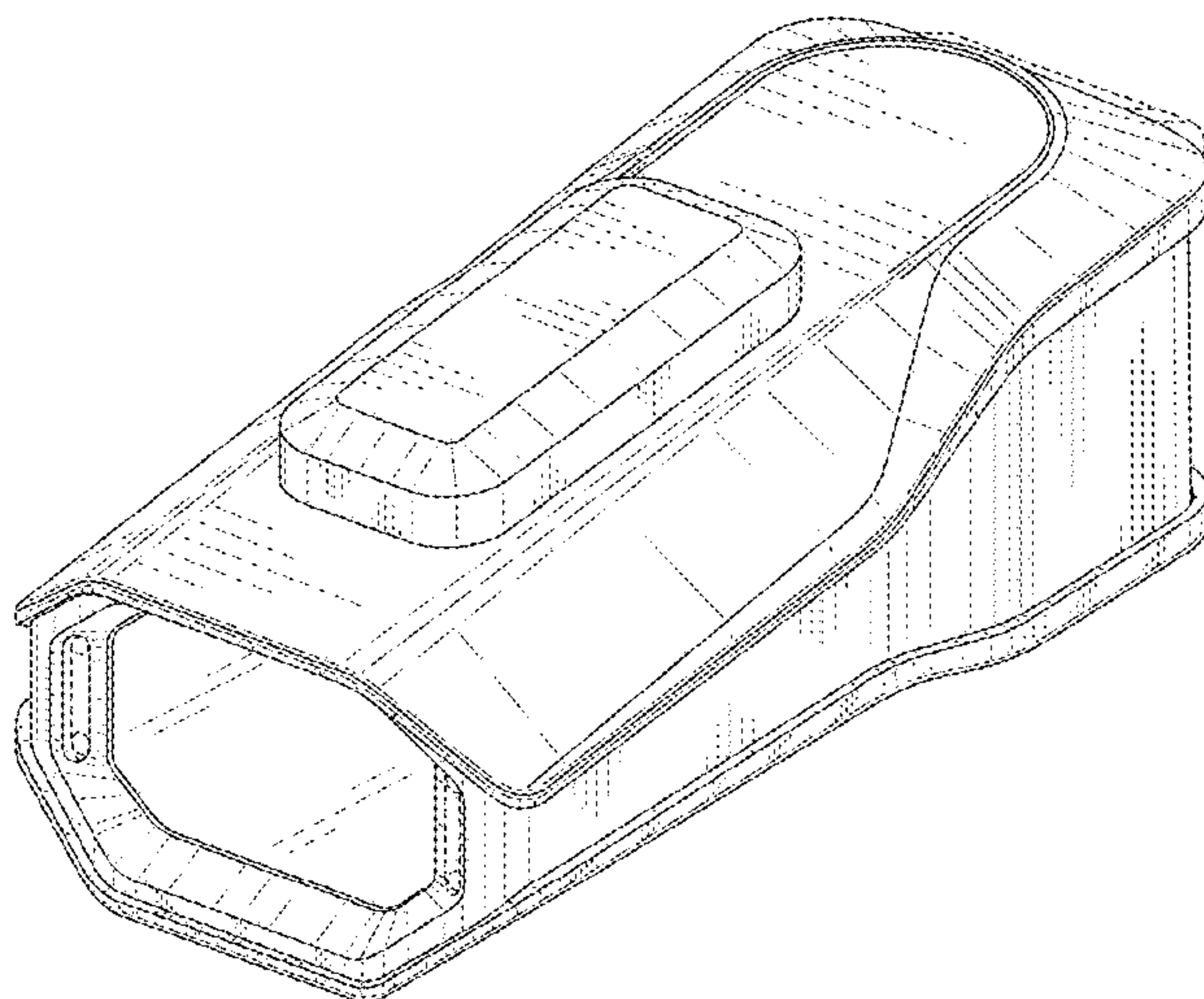
The ornamental design for a camera housing, as shown and described.

**DESCRIPTION**

FIG. 1 is a front perspective view of a camera housing showing our new design;  
FIG. 2 is a rear perspective view thereof;  
FIG. 3 is a front elevation view thereof;  
FIG. 4 is a rear elevation view thereof;  
FIG. 5 is a left side elevation view thereof;  
FIG. 6 is a right side elevation view thereof;  
FIG. 7 is a top plan view thereof; and,  
FIG. 8 is a bottom plan view thereof.  
The broken lines depict portions of the camera housing in which the design is embodied that form no part of the claimed design. Additionally, the dash-dot lines denote the boundary of the claim and form no part of the claimed design.

**1 Claim, 8 Drawing Sheets**

- (56) **References Cited**  
U.S. PATENT DOCUMENTS
- D607,033 S \* 12/2009 Arbuckle ..... D16/203
- D638,871 S \* 5/2011 Bergstrom ..... D16/203
- D642,607 S \* 8/2011 Bergstrom ..... D16/203
- D643,454 S \* 8/2011 Zaliauskas ..... D16/202
- D684,619 S \* 6/2013 Chapple ..... D16/203
- D748,710 S \* 2/2016 Bergstrom ..... D16/203
- D812,670 S \* 3/2018 Andersson ..... D16/203
- D826,305 S \* 8/2018 Ahman ..... D16/203
- D827,013 S \* 8/2018 Ahman ..... D16/203
- D832,330 S \* 10/2018 Ahman ..... D16/203



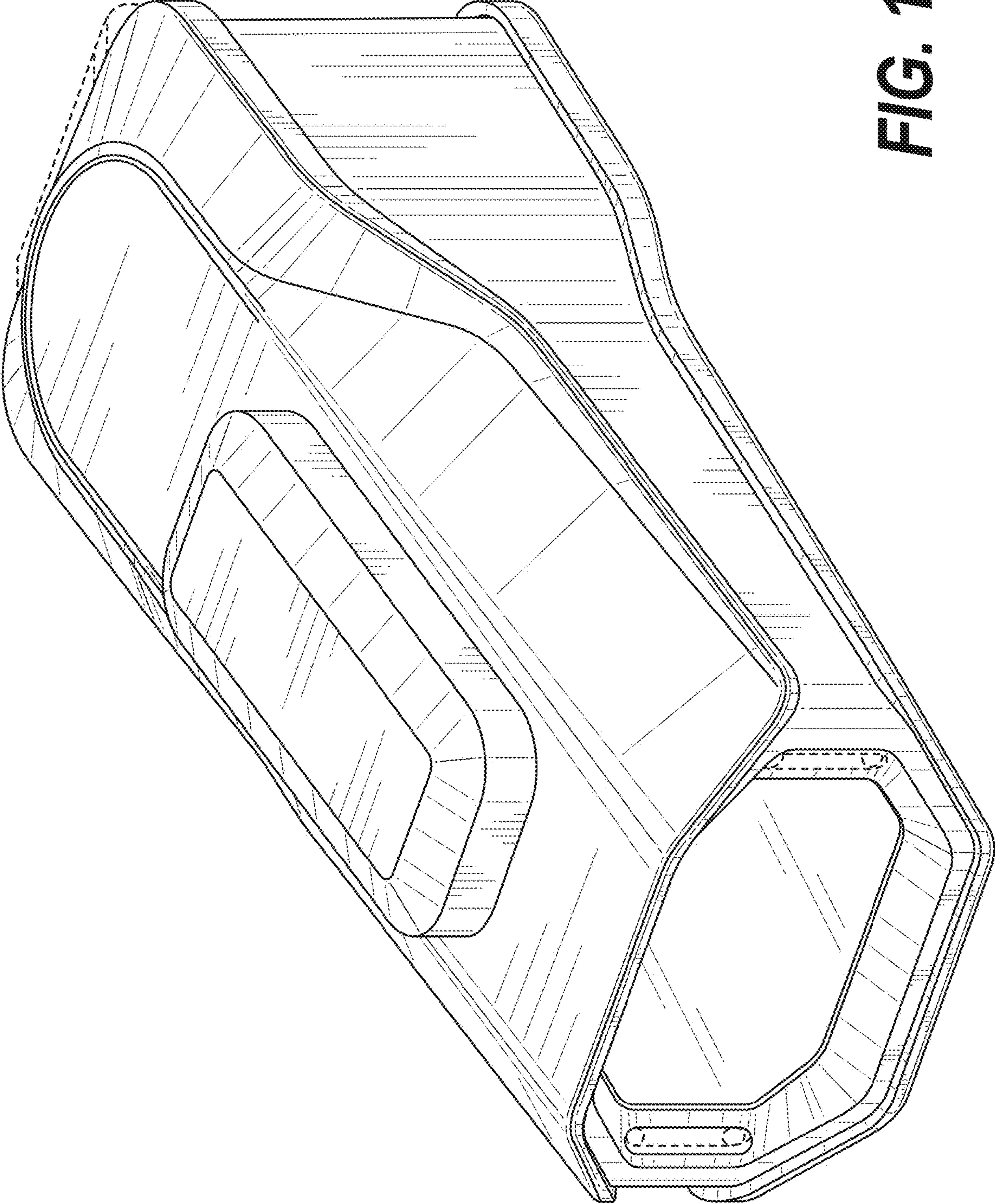
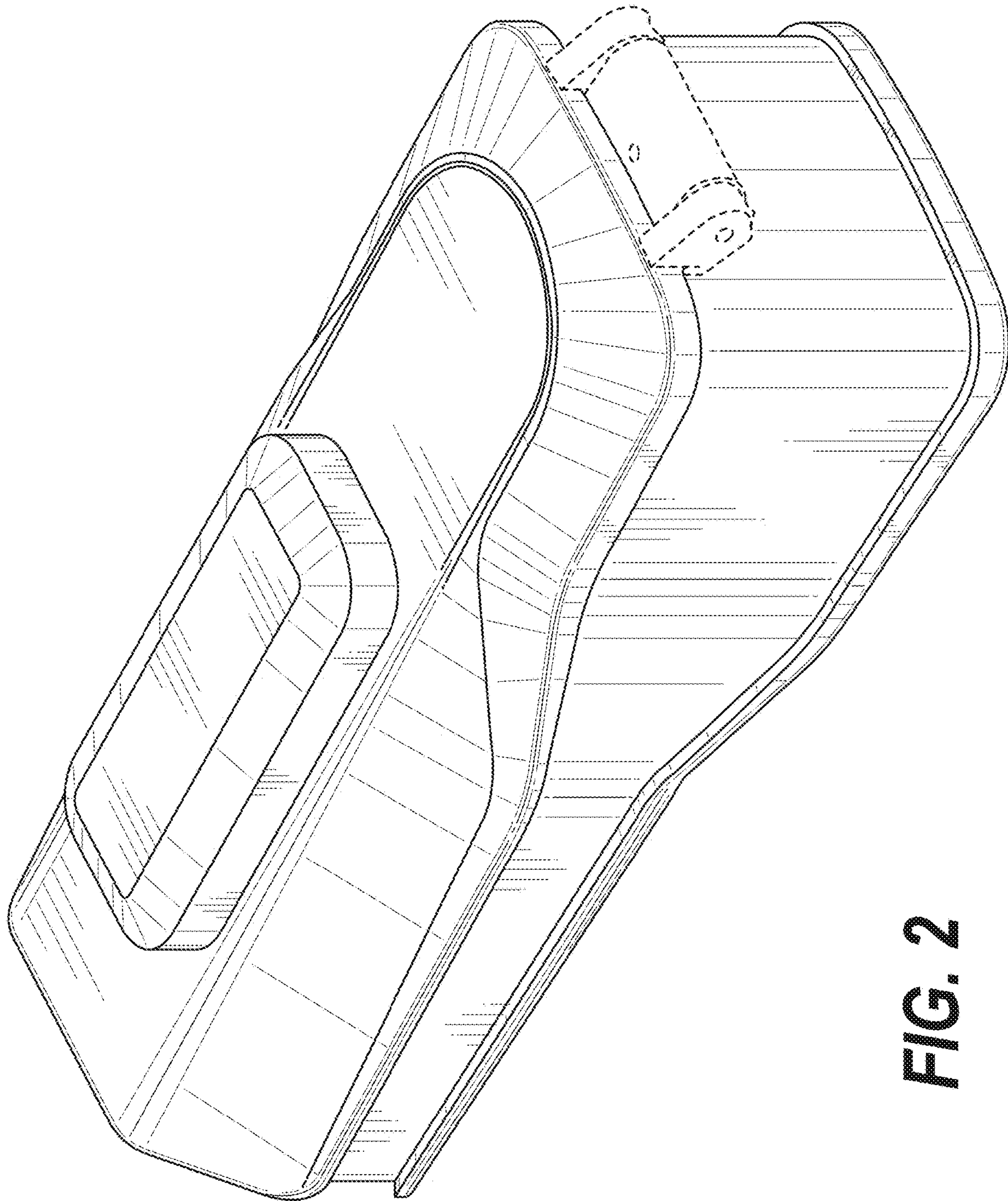
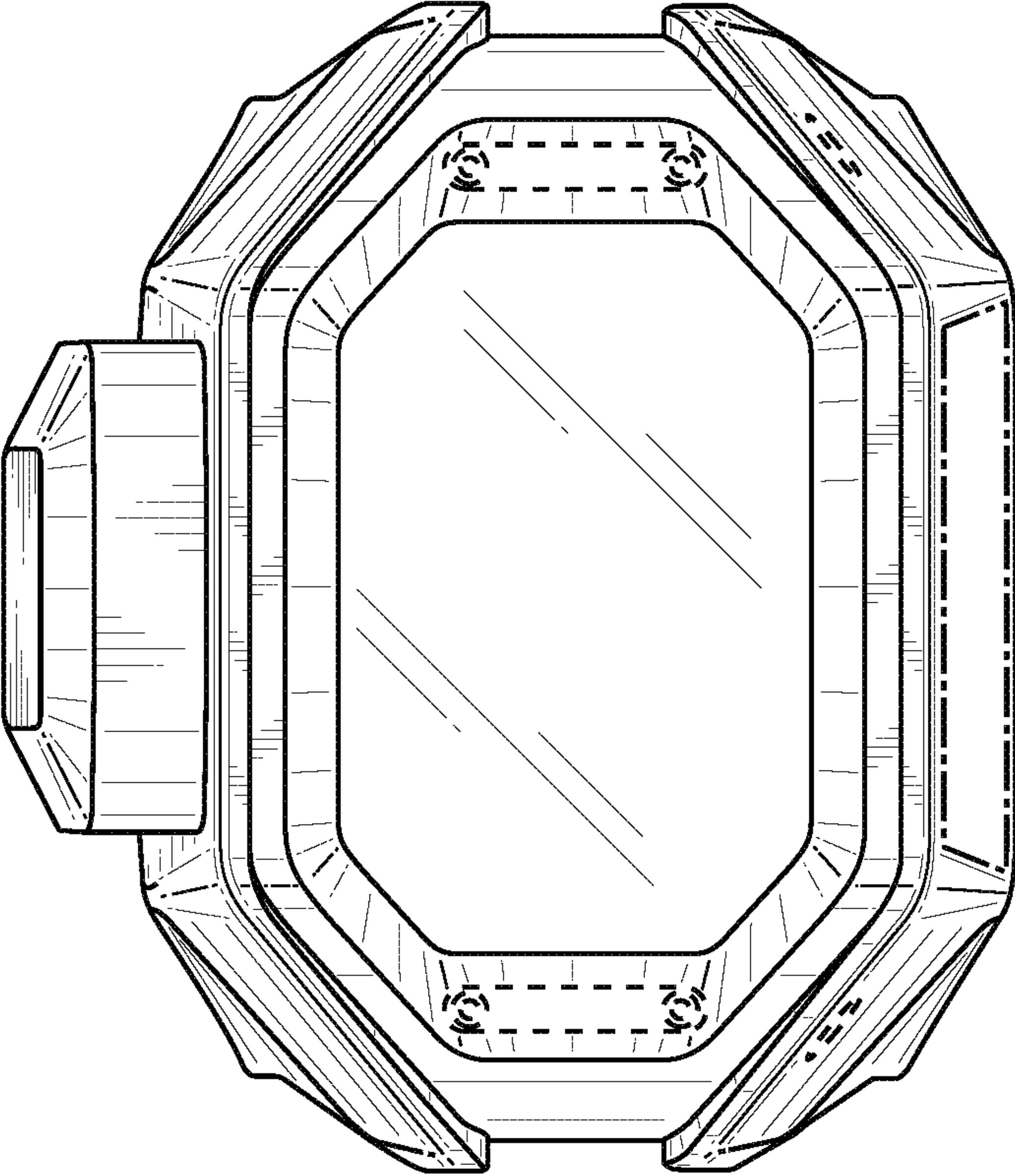


FIG. 1

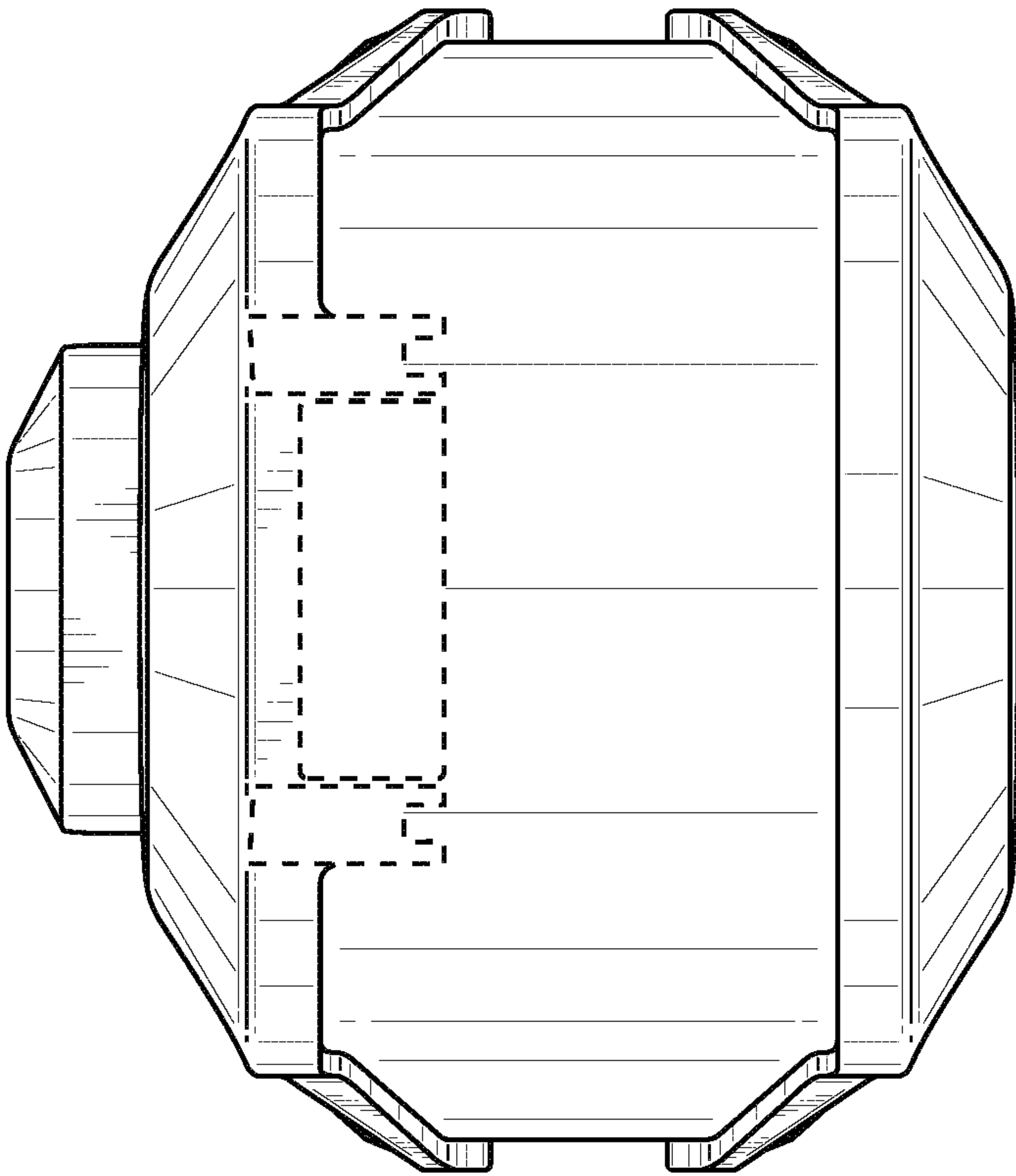




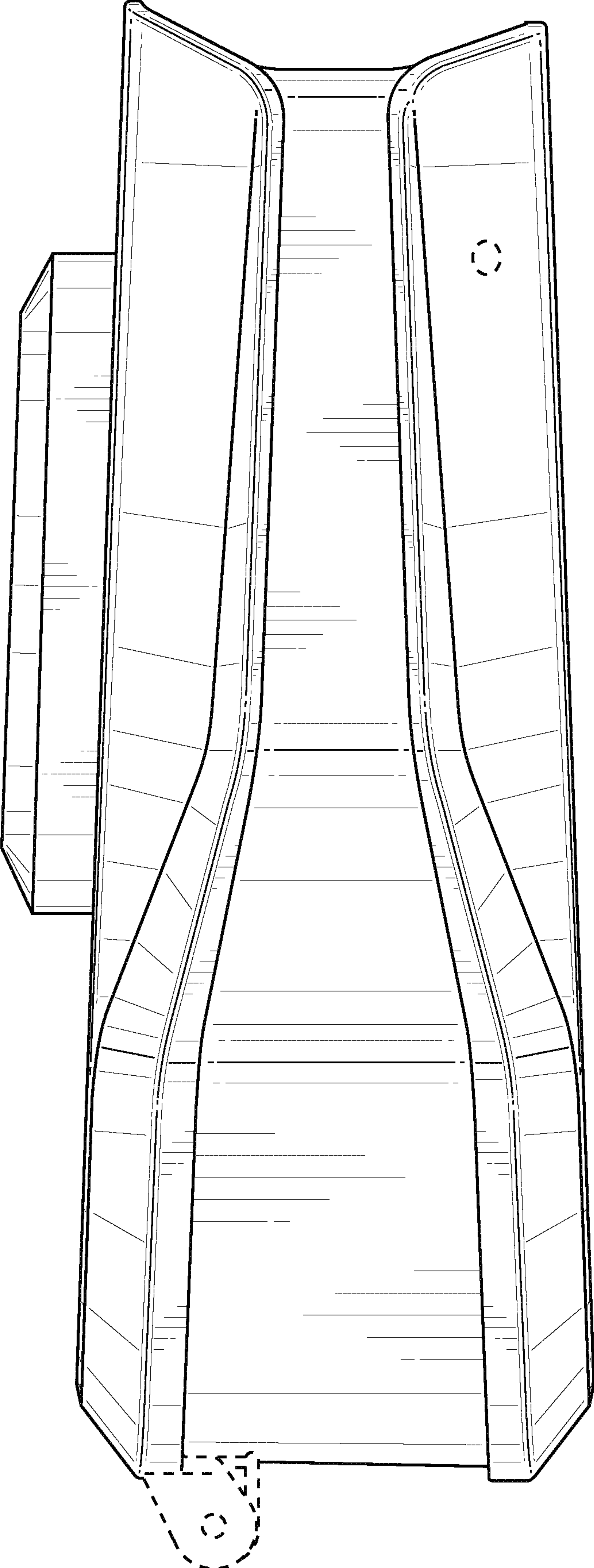
**FIG. 2**



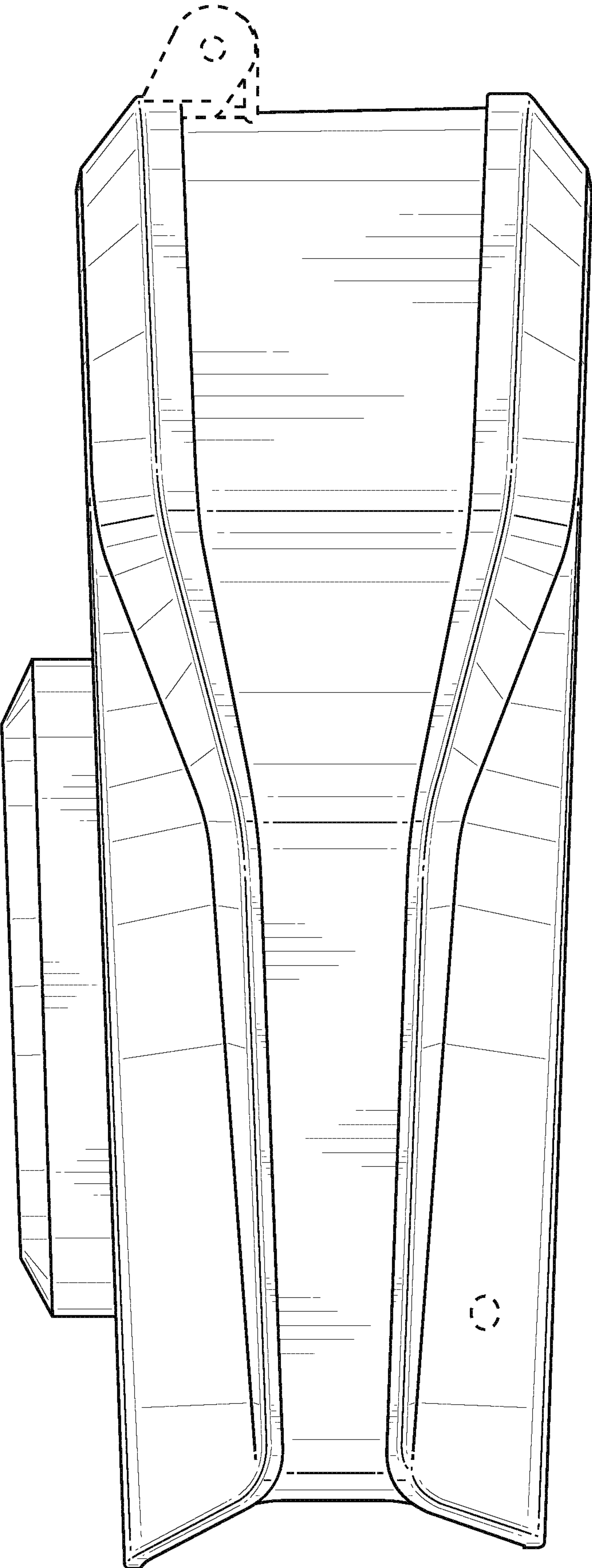
**FIG. 3**



**FIG. 4**

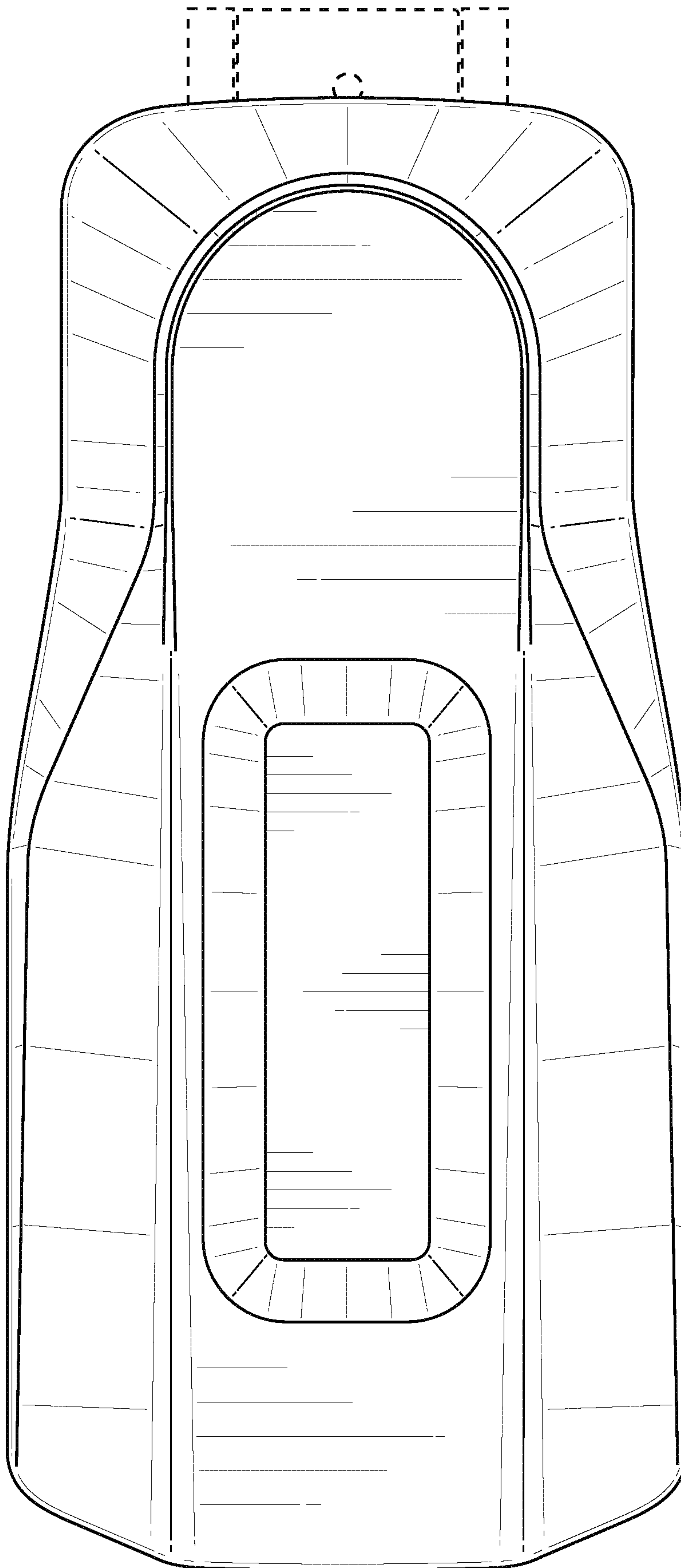


**FIG. 5**



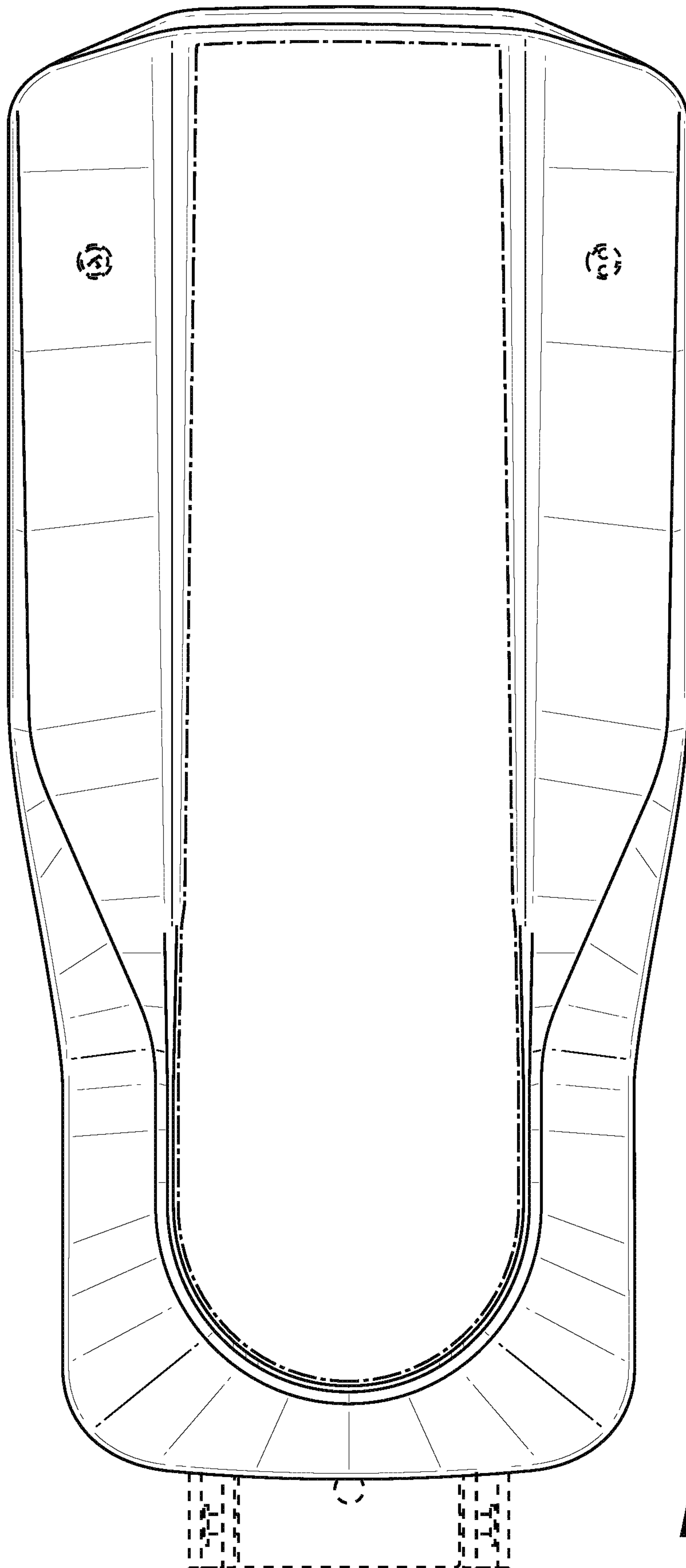
**FIG. 6**





**FIG. 7**





**FIG. 8**