



US00D875151S

(12) **United States Design Patent**
Matthews

(10) **Patent No.:** **US D875,151 S**

(45) **Date of Patent:** **** Feb. 11, 2020**

- (54) **MICROSCOPE DRAPE**
- (71) Applicant: **Ecolab USA Inc.**, St. Paul, MN (US)
- (72) Inventor: **Steffanie Matthews**, Milton, GA (US)
- (73) Assignee: **Ecolab USA Inc.**, St. Paul, MN (US)

D700,264 S * 2/2014 Smith D22/108
 9,125,652 B2 9/2015 Federle et al.
 9,563,045 B2 2/2017 Doi et al.
 D783,024 S * 4/2017 Conley D14/432
 D811,408 S * 2/2018 Wadsworth D14/432
 (Continued)

(**) Term: **15 Years**

(21) Appl. No.: **29/602,289**

(22) Filed: **Apr. 28, 2017**

(51) **LOC (12) Cl.** **16-99**

(52) **U.S. Cl.**
USPC **D16/130**

(58) **Field of Classification Search**
USPC D16/19, 38, 48, 100, 101, 131, 132, 133,
D16/134, 135, 310, 140, 130; D14/372,
D14/496, 432; D26/142
CPC A42B 3/04; A61B 17/00
See application file for complete search history.

FOREIGN PATENT DOCUMENTS

DE 10 2015 224 986 A1 4/2017
 EP 2 559 396 A2 2/2013
 (Continued)

OTHER PUBLICATIONS

Bible, J. et al., "Microscope Sterility During Spine Surgery," Spine, vol. 37, No. 7, pp. 623-627 (Apr. 2012) 2 page Abstract.

Primary Examiner — Mark A Goodwin
Assistant Examiner — Benjamin M Weeks
(74) *Attorney, Agent, or Firm* — Merchant & Gould P.C.

(57) **CLAIM**

The ornamental design for a microscope drape, as shown and described.

DESCRIPTION

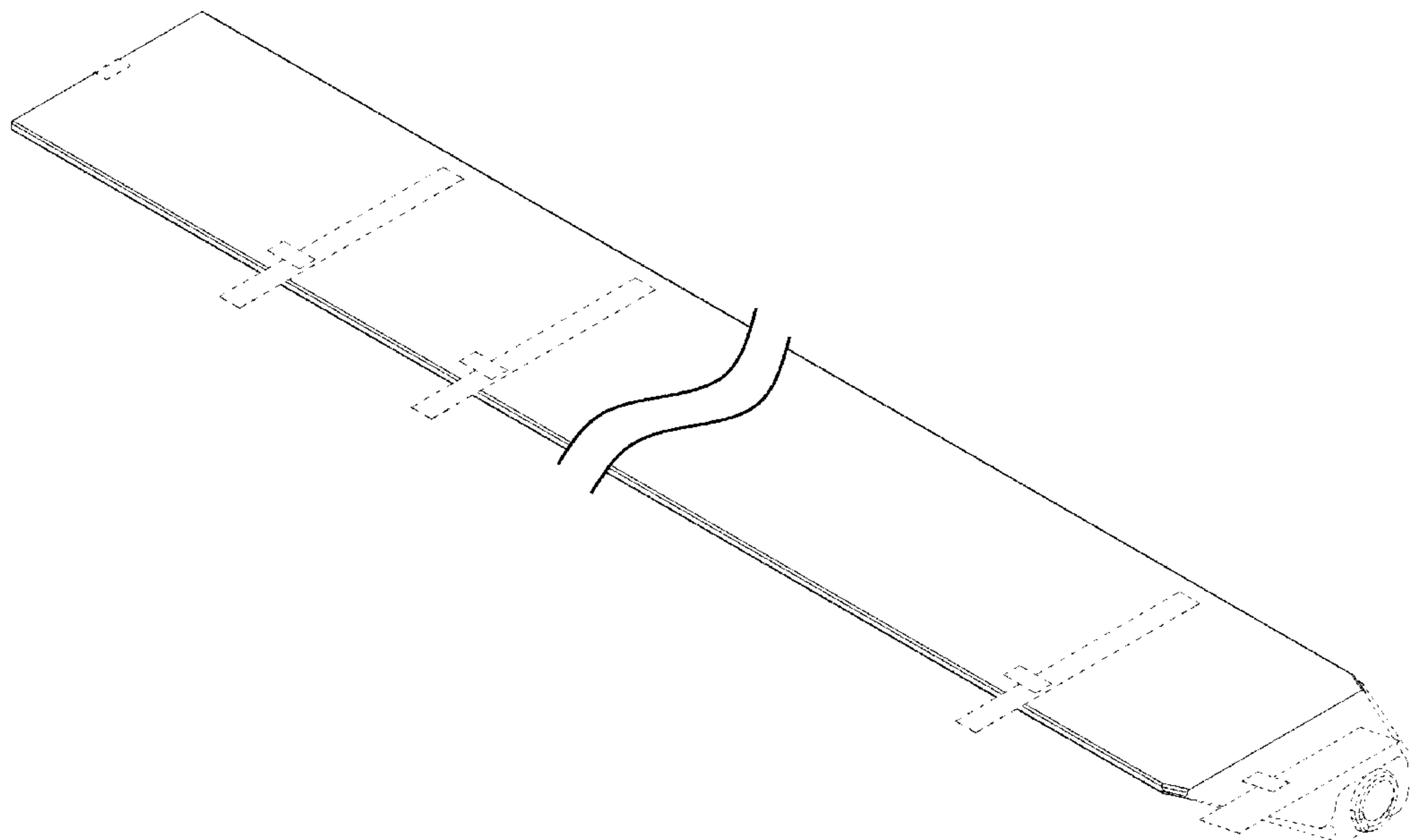
FIG. 1 is a top, right, front perspective view of a first embodiment of a microscope drape; break lines indicate the drape is of indeterminate length;
 FIG. 2 is a top view of the microscope drape of FIG. 1;
 FIG. 3 is a bottom view of the microscope drape of FIG. 1;
 FIG. 4 is a front view of the microscope drape of FIG. 1;
 FIG. 5 is a back view of the microscope drape of FIG. 1;
 FIG. 6 is a right side view of the microscope drape of FIG. 1; and,
 FIG. 7 is a left side view of the microscope drape of FIG. 1.
 In the above drawings, the broken lines and the areas within the broken lines form no part of the claimed design.

1 Claim, 3 Drawing Sheets

(56) **References Cited**

U.S. PATENT DOCUMENTS

3,698,791 A	10/1972	Walchle et al.
4,183,613 A	1/1980	Walchle et al.
4,266,663 A	5/1981	Geraci
4,561,540 A	12/1985	Hunter et al.
4,799,779 A	1/1989	Mesmer
5,122,904 A	6/1992	Fujiwara et al.
5,608,574 A	3/1997	Heinrich
5,682,264 A	10/1997	Cleveland et al.
5,853,363 A	12/1998	Vought
6,024,454 A	2/2000	Horan et al.
6,116,741 A	9/2000	Paschal
6,805,453 B2	10/2004	Spetzler et al.
7,122,032 B2	10/2006	Shinmura et al.
7,234,824 B2	6/2007	Langley
7,374,295 B2	5/2008	Fuchs et al.
7,846,086 B2	12/2010	Brenner et al.



(56)

References Cited

U.S. PATENT DOCUMENTS

2005/0094269 A1 5/2005 Moses et al.
2007/0064309 A1 3/2007 Luloh et al.
2008/0144178 A1 6/2008 Dillon et al.
2009/0314400 A1* 12/2009 Liu A45C 11/00
150/165
2013/0048203 A1* 2/2013 Yau B32B 7/06
156/230
2013/0264235 A1* 10/2013 Lin A45C 11/00
206/320
2014/0055927 A1* 2/2014 Wang H05K 7/00
361/679.01
2015/0107767 A1* 4/2015 Wadsworth B29C 66/861
156/324
2015/0148615 A1 5/2015 Brennan et al.
2015/0366618 A1 12/2015 Higuchi et al.
2017/0001364 A1* 1/2017 MacDonald B32B 7/06
2017/0231706 A1 8/2017 Vayser

FOREIGN PATENT DOCUMENTS

EP 1 618 425 B1 4/2015
FR 2 996 116 A1 4/2014
JP 2013-27733 A 2/2013
JP 2014-76361 A 5/2014
JP 2016-7234 A 1/2016

* cited by examiner

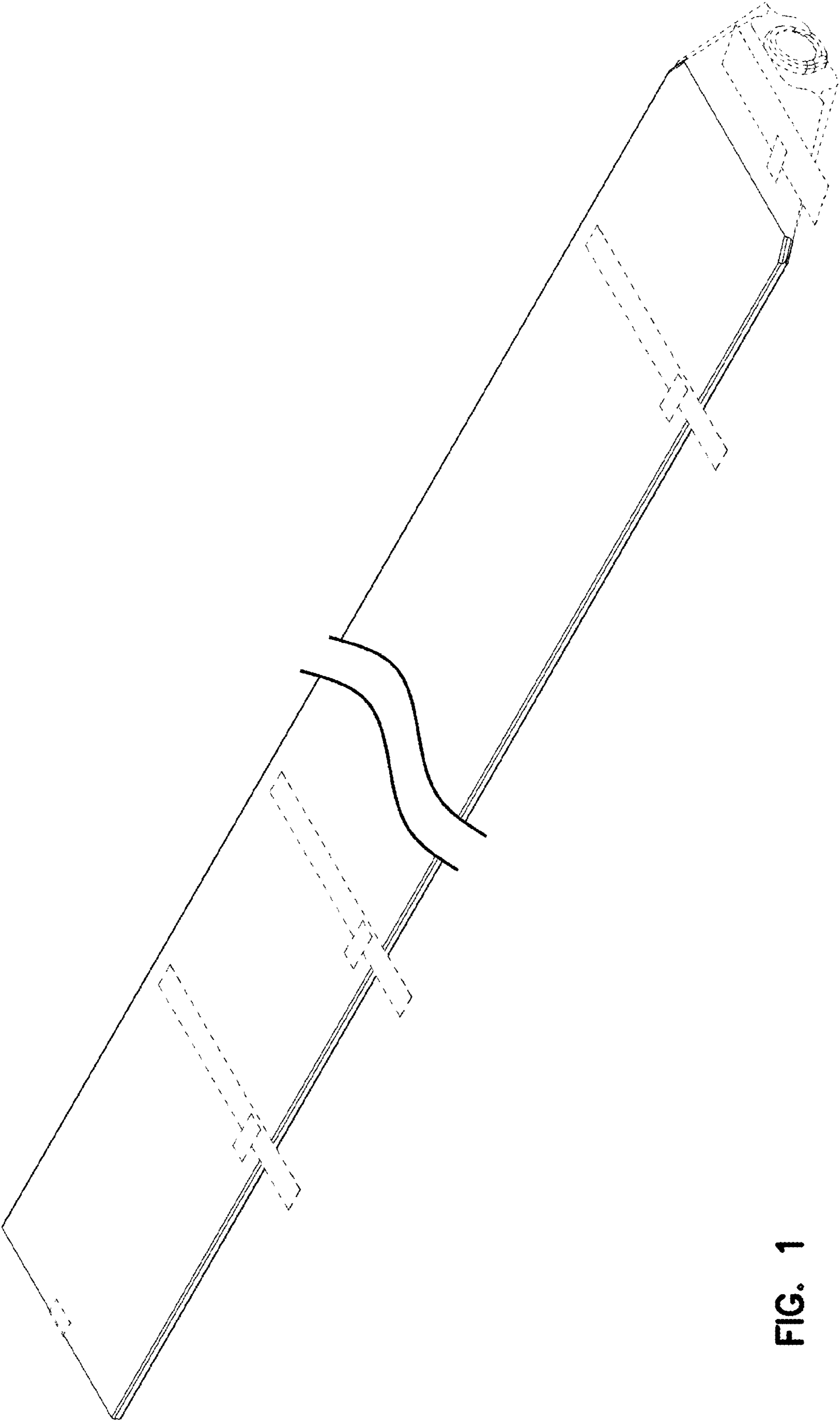


FIG. 1

FIG. 2

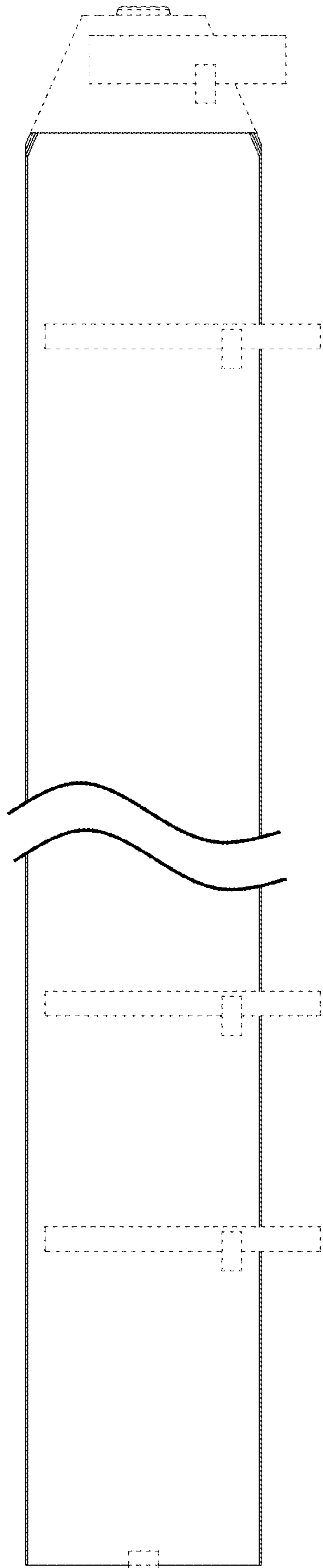


FIG. 3

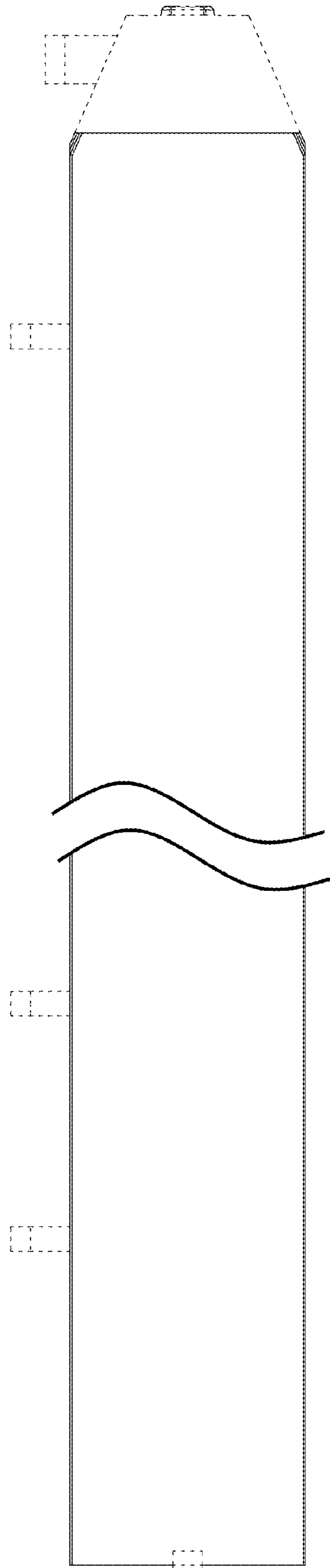


FIG. 5

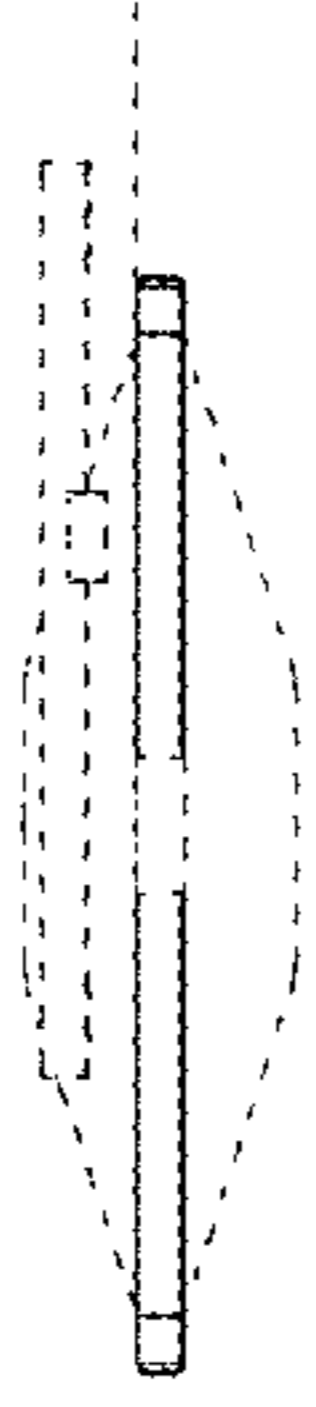


FIG. 4



FIG. 6

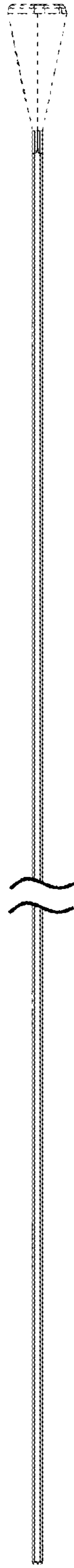


FIG. 7

