

US00D875149S

(12) **United States Design Patent**
Galkin et al.

(10) **Patent No.:** **US D875,149 S**
(45) **Date of Patent:** **** Feb. 11, 2020**

(54) **HEAT PRESS WITH FLAT DESIGN**

(71) Applicant: **GroupeSTAHL**, Sterling Heights, MI (US)

(72) Inventors: **Anton Galkin**, Carmichaels, PA (US);
Benjamin Robinson, Carmichaels, PA (US)

(73) Assignee: **STAHL'S INC.**, Sterling Heights, MI (US)

(**) Term: **15 Years**

(21) Appl. No.: **29/654,352**

(22) Filed: **Jun. 22, 2018**

(51) **LOC (12) Cl.** **15-09**

(52) **U.S. Cl.**
USPC **D15/146; D15/122**

(58) **Field of Classification Search**
USPC D15/122, 123, 145, 146
CPC B30B 15/04; B30B 15/18; B30B 15/048;
B30B 15/287; B32B 37/06; B32B 37/0053; B32B 2309/02
See application file for complete search history.

(56) **References Cited**

U.S. PATENT DOCUMENTS

1,466,714 A * 9/1923 Harnden B41F 1/22
101/3.1
4,257,321 A * 3/1981 Wheeler B30B 9/04
100/219
6,871,587 B2 * 3/2005 Kanamaru B30B 15/048
100/214

D826,297 S * 8/2018 Yan D15/123
D826,999 S * 8/2018 Yan D15/123
2008/0196836 A1 * 8/2008 Woods B30B 1/12
156/367
2012/0175813 A1 * 7/2012 Leedy A43B 3/0084
264/293
2015/0122425 A1 * 5/2015 Hsiao B30B 15/028
156/583.1
2017/0314177 A1 * 11/2017 Komiya D06C 15/10

* cited by examiner

Primary Examiner — Patricia A Palasik

(74) *Attorney, Agent, or Firm* — Harness, Dickey & Pierce, PLC

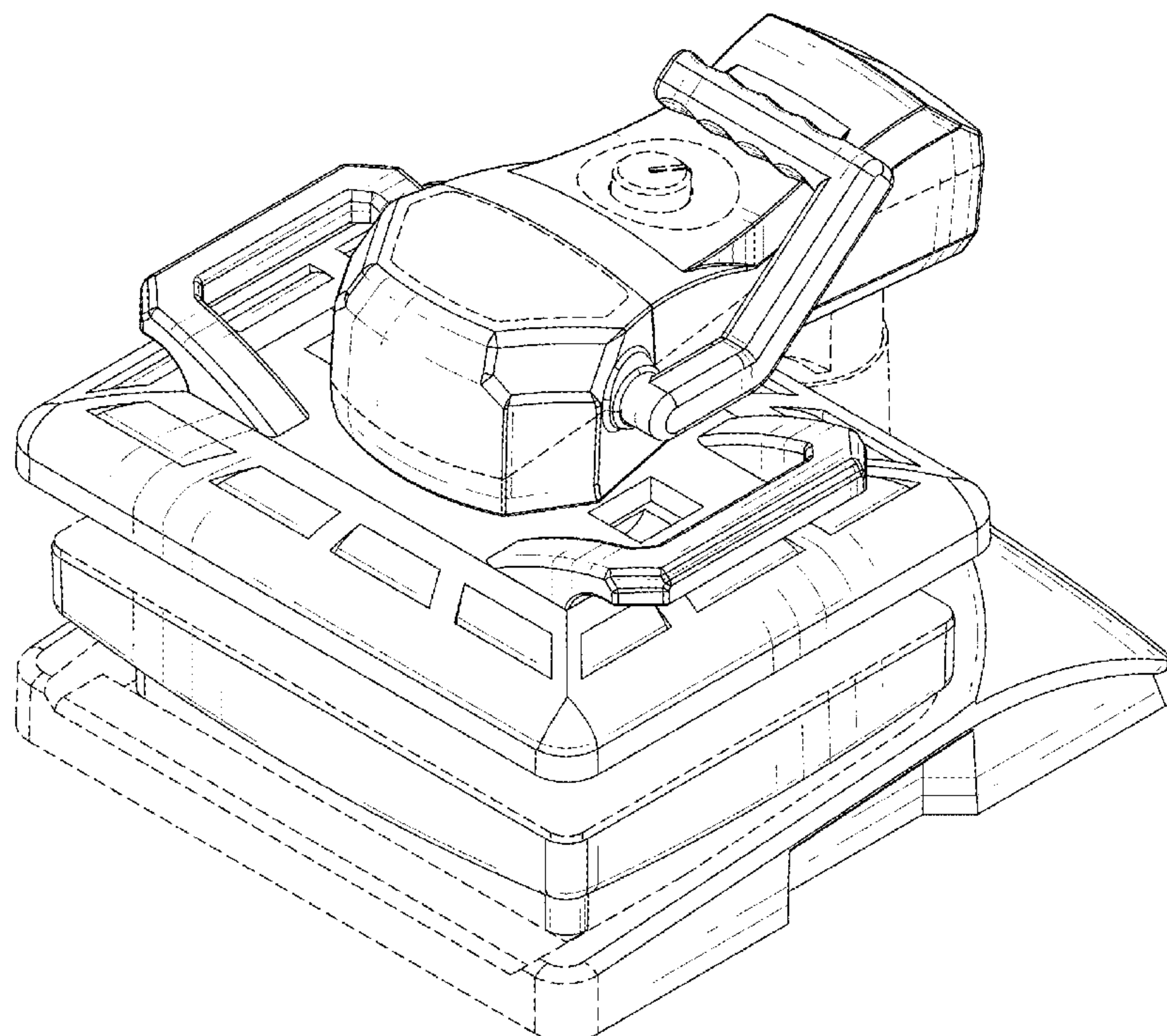
(57) **CLAIM**

The ornamental design for a heat press with flat design, as shown and described.

DESCRIPTION

FIG. 1 is a perspective view of the front and left sides of a heat press embodying the new design;
FIG. 2 is a front view of the heat press thereof;
FIG. 3 is a right side view of the heat press thereof;
FIG. 4 is a left side view of the heat press thereof;
FIG. 5 is a perspective view of the bottom and right sides of the heat press thereof;
FIG. 6 is a bottom plan view of the heat press thereof;
FIG. 7 is a rear view of the heat press thereof; and,
FIG. 8 is a top plan view of the heat press thereof.
The broken lines show features of the heat press that form no part of the claimed designs of FIGS. 1 through 8.

1 Claim, 8 Drawing Sheets



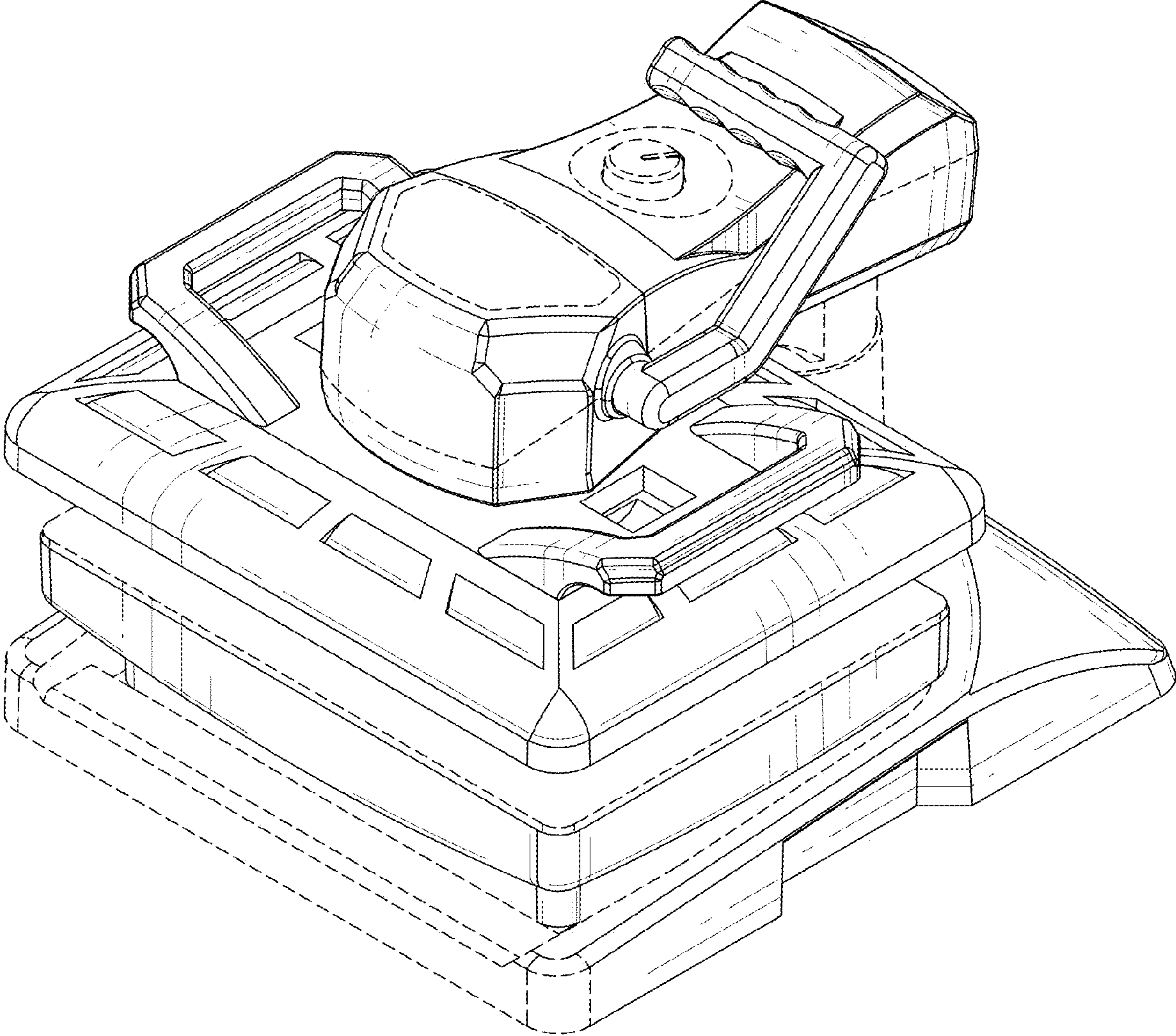


Fig-1

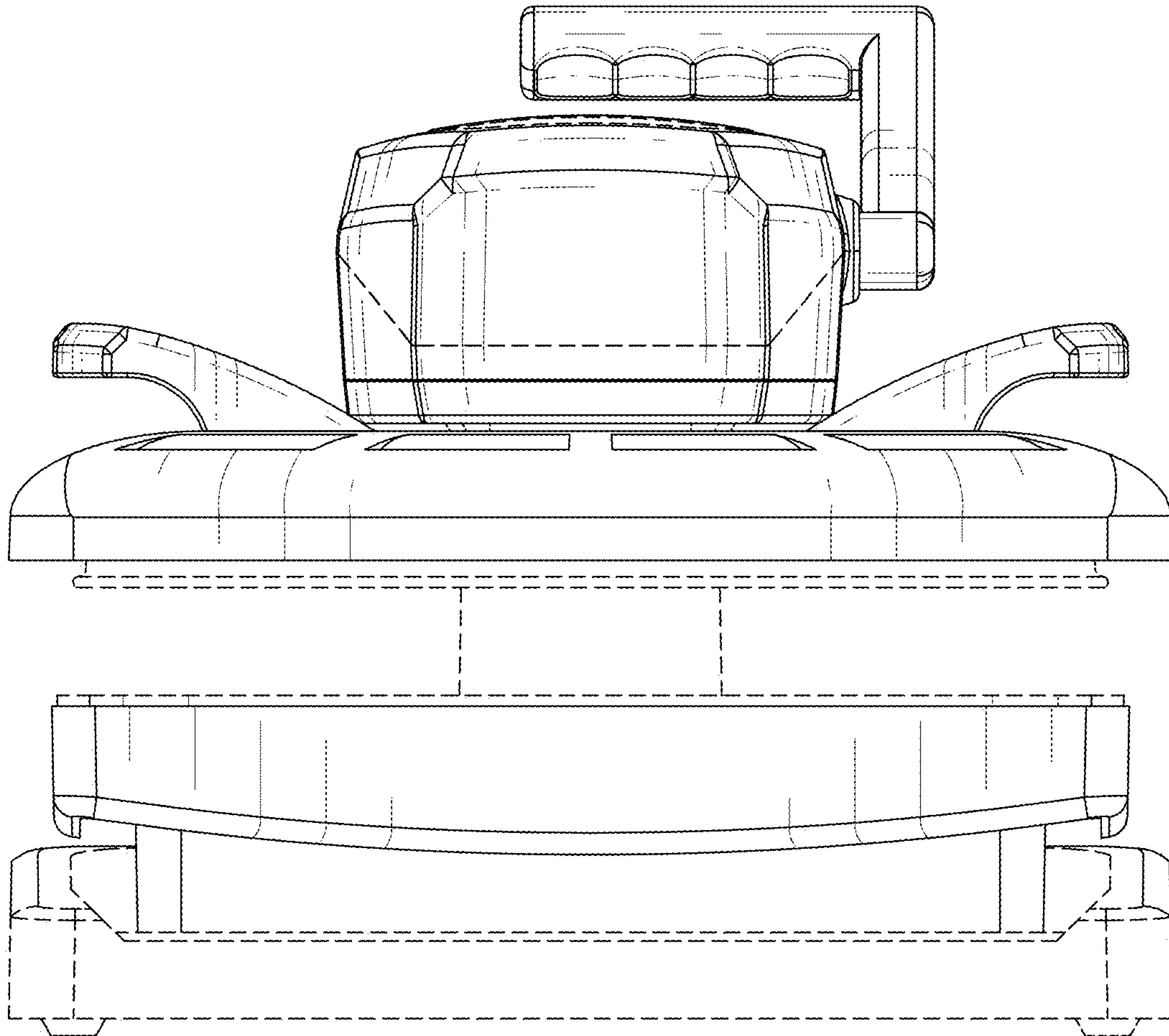


Fig-2

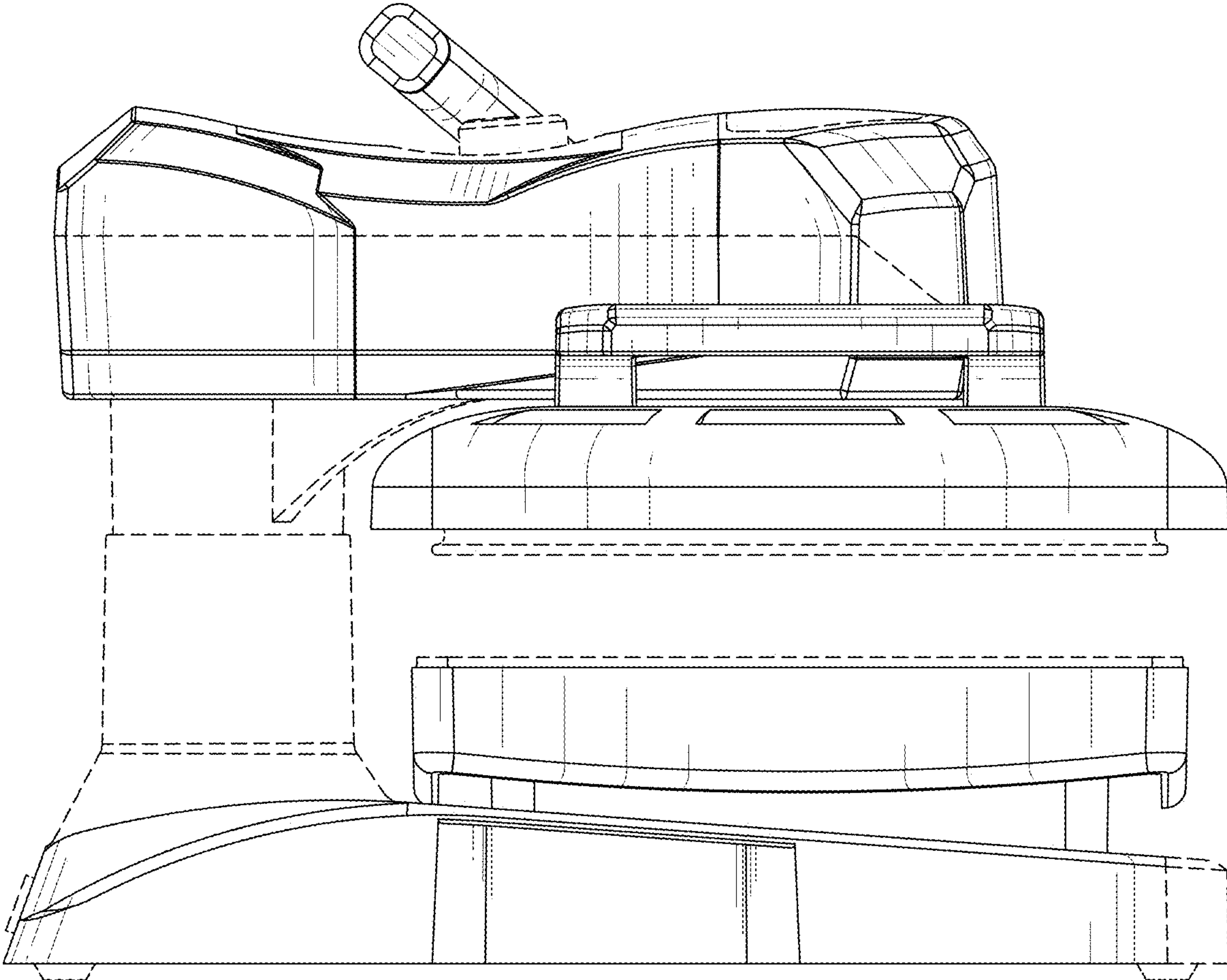


Fig-3

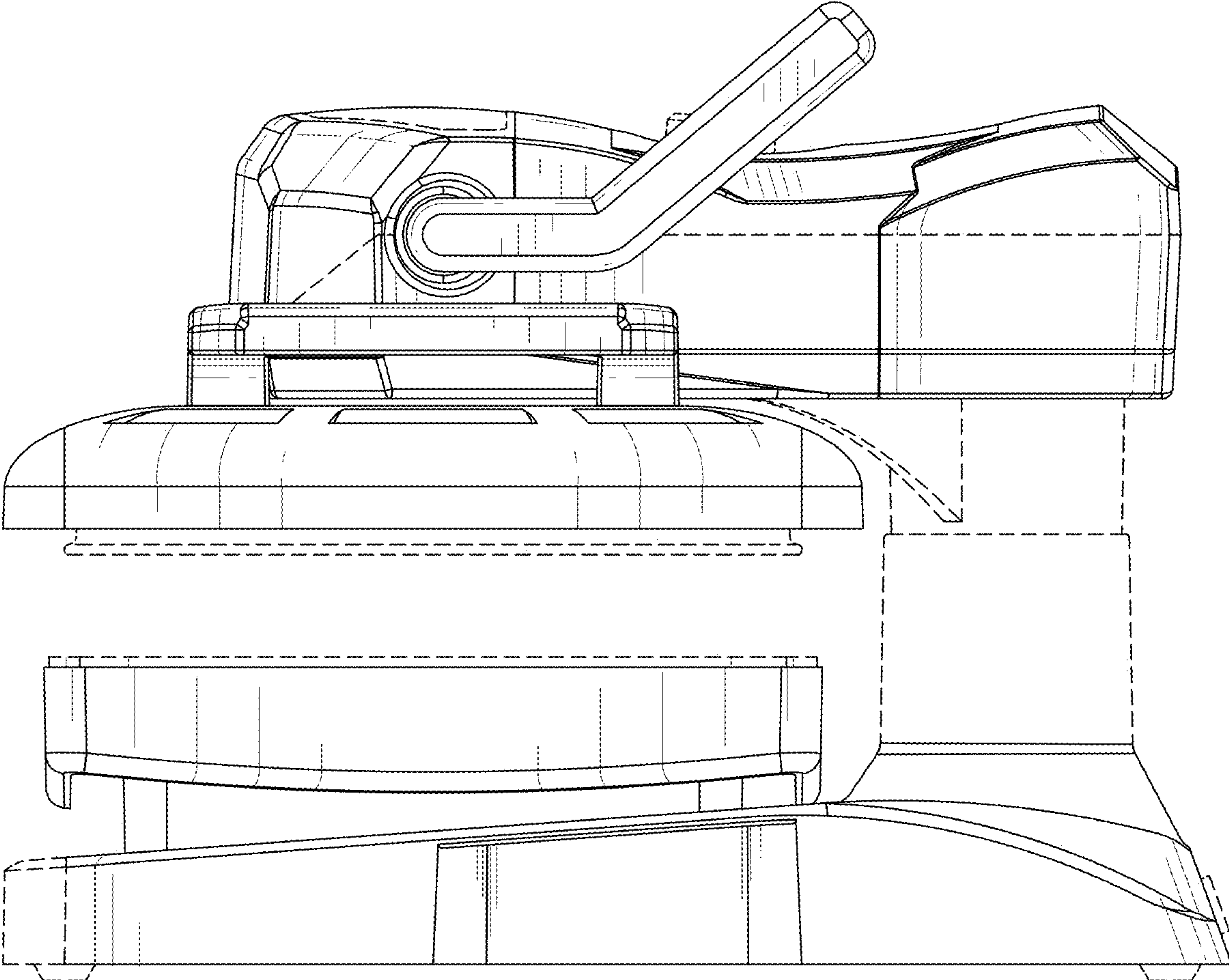


Fig-4

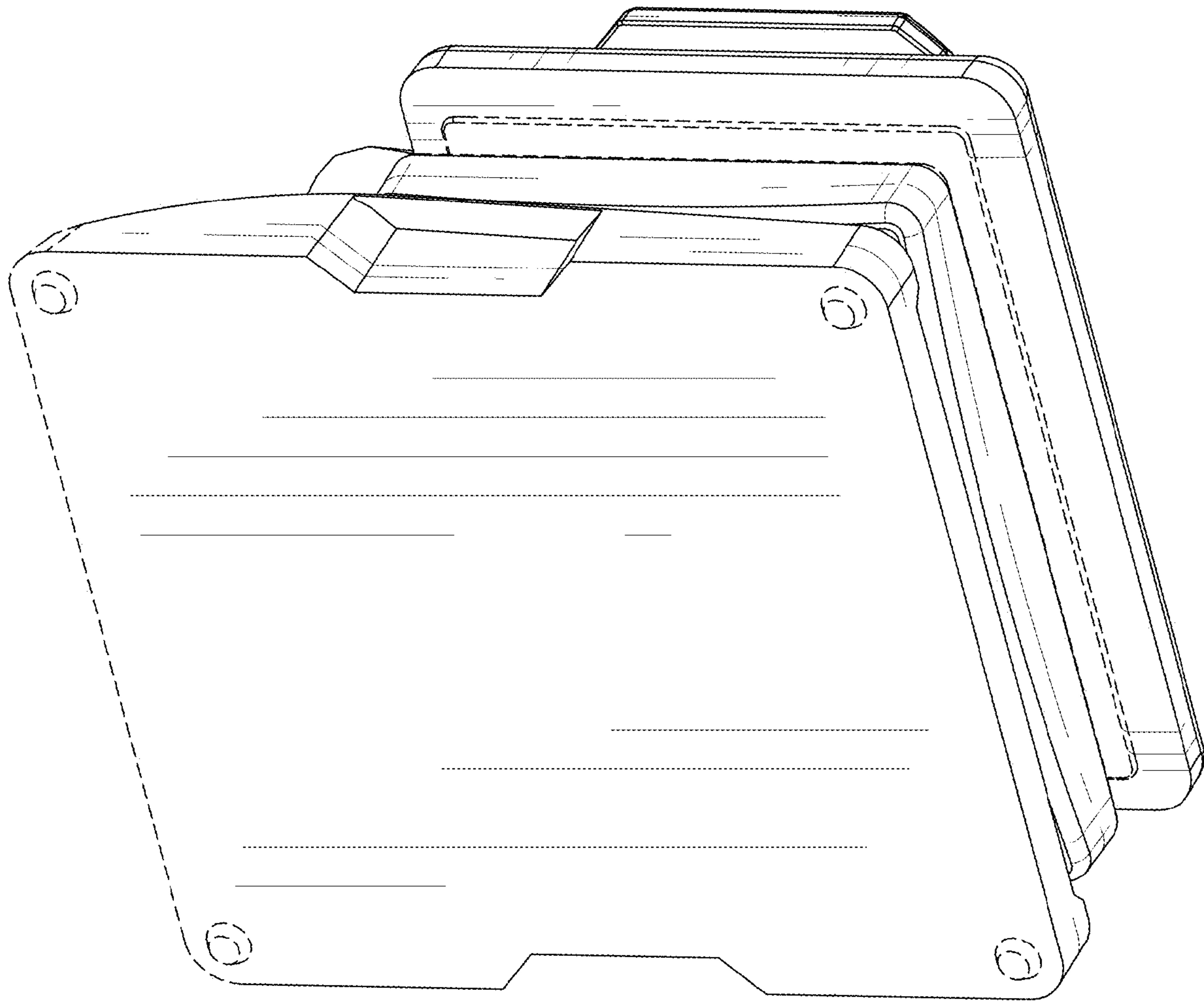


Fig-5

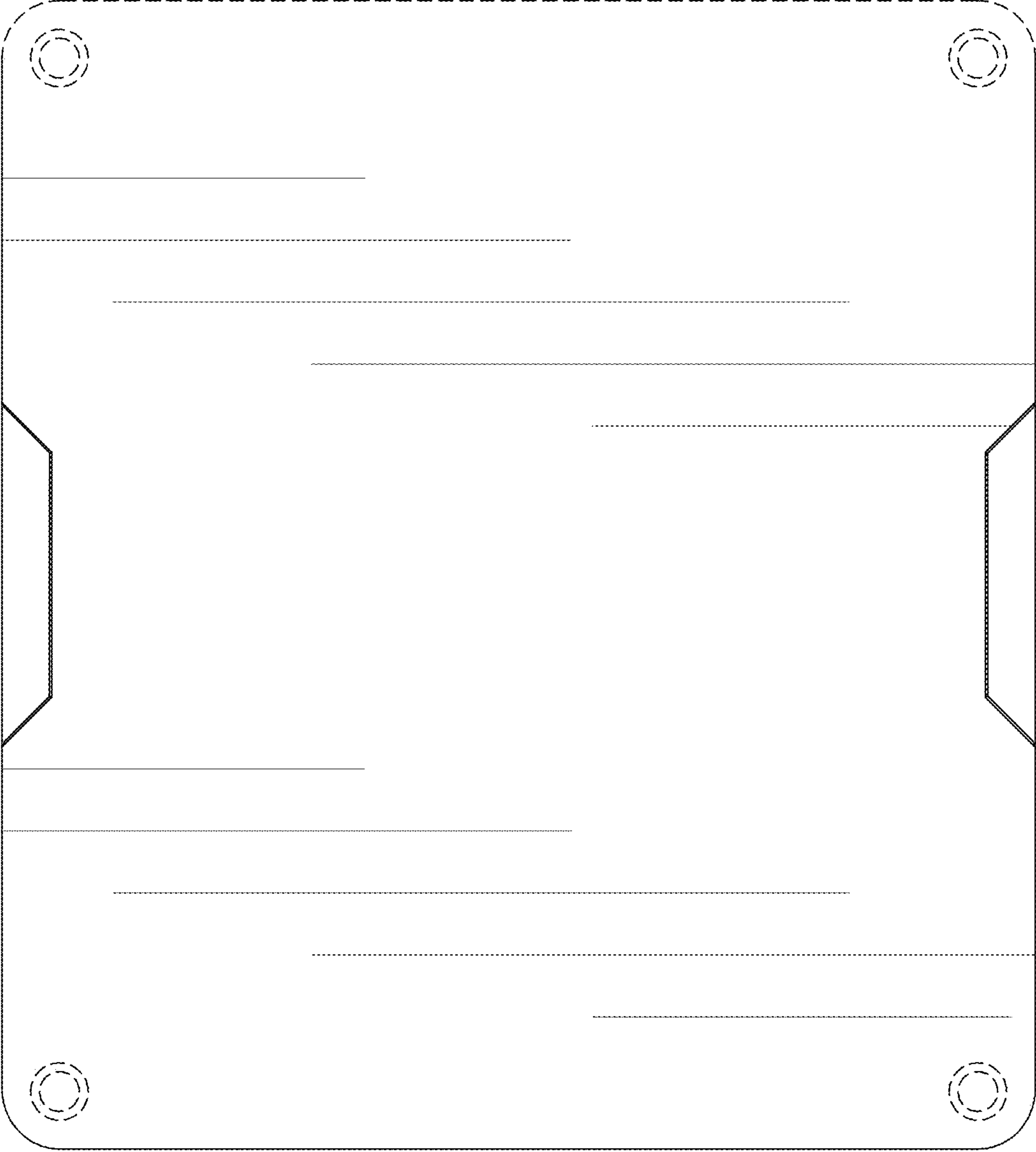


Fig-6

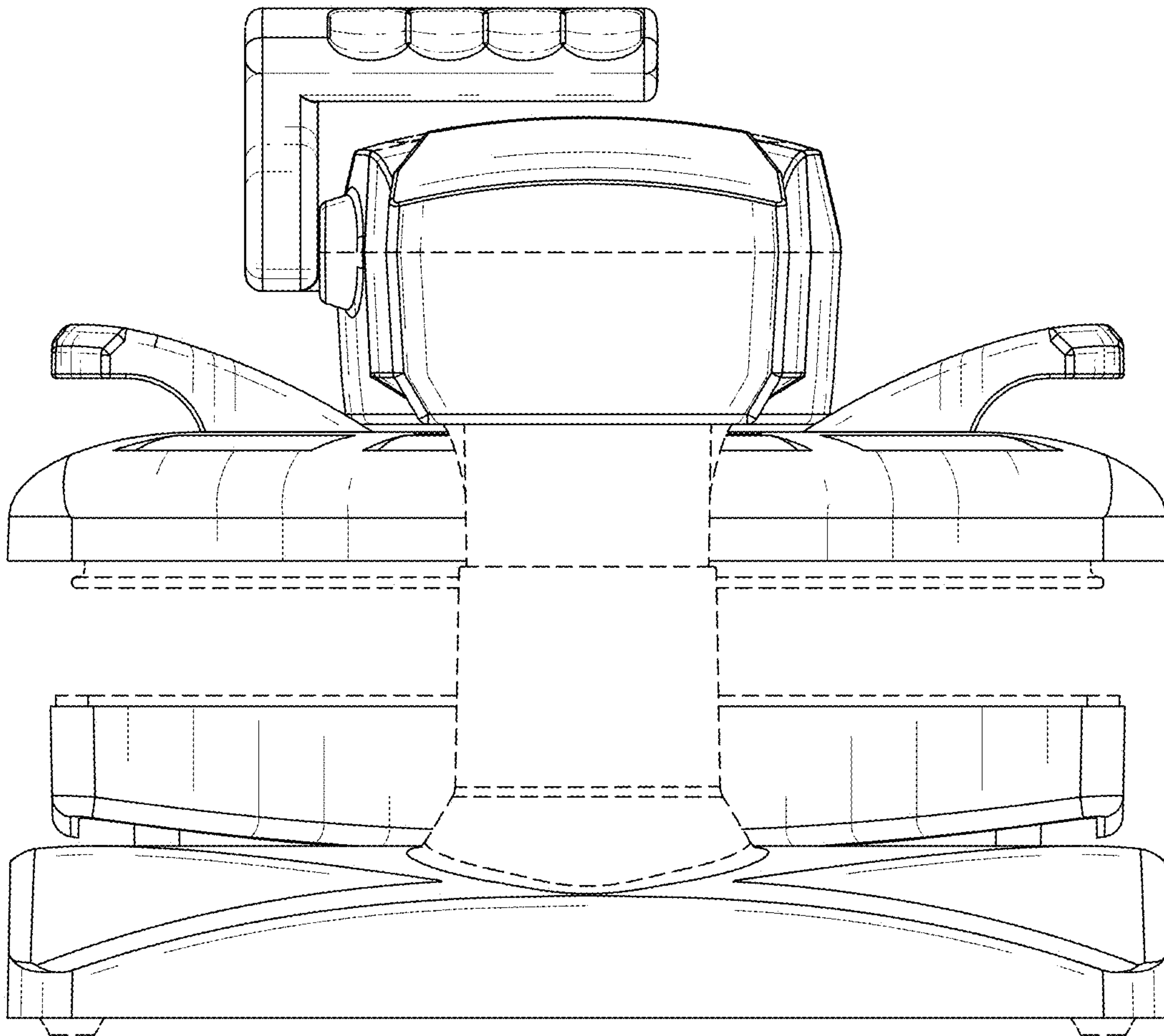


Fig-7

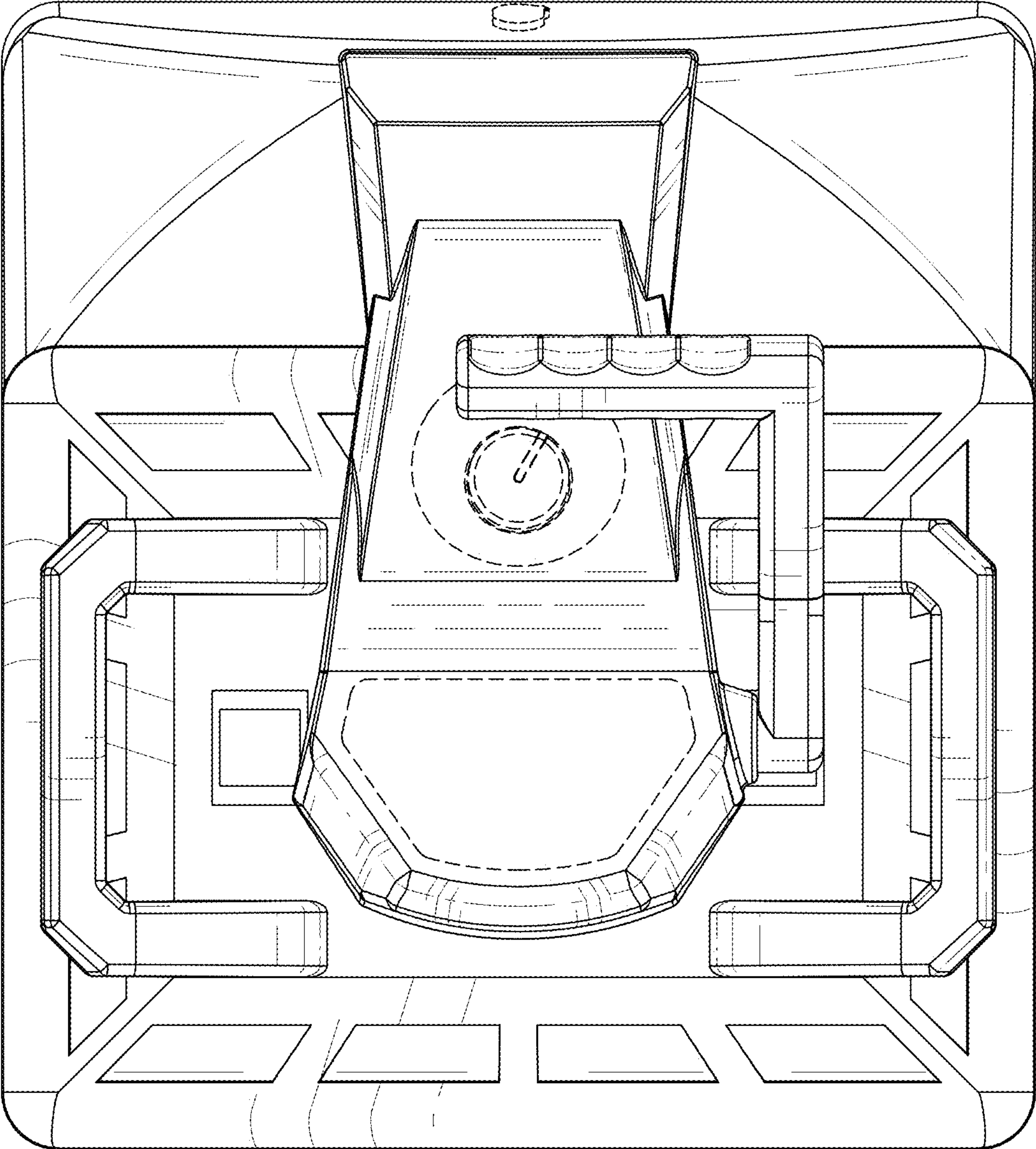


Fig-8