



US00D875148S

(12) **United States Design Patent**  
**Galkin et al.**

(10) **Patent No.:** **US D875,148 S**

(45) **Date of Patent:** **\*\* Feb. 11, 2020**

(54) **HEAT PRESS WITH CAP DESIGN**

(71) Applicant: **GroupeSTAHL**, Sterling Heights, MI (US)

(72) Inventors: **Anton Galkin**, Carmichaels, PA (US);  
**Benjamin Robinson**, Carmichaels, PA (US)

(73) Assignee: **STAHL'S INC.**, Sterling Heights, MI (US)

(\*\*) Term: **15 Years**

(21) Appl. No.: **29/654,349**

(22) Filed: **Jun. 22, 2018**

(51) **LOC (12) Cl.** ..... **15-09**

(52) **U.S. Cl.**  
USPC ..... **D15/146; D15/122**

(58) **Field of Classification Search**  
USPC ..... D15/122, 123, 145, 146  
CPC ..... B30B 15/04; B30B 15/18; B30B 15/048;  
B30B 15/287; B32B 37/06; B32B  
37/0053; B32B 2309/02  
See application file for complete search history.

(56) **References Cited**

**U.S. PATENT DOCUMENTS**

- 1,466,714 A \* 9/1923 Harnden ..... B41F 1/22  
101/3.1
- 4,257,321 A \* 3/1981 Wheeler ..... B30B 9/04  
100/219
- 6,871,587 B2 \* 3/2005 Kanamaru ..... B30B 15/048  
100/214

- D826,297 S \* 8/2018 Yan ..... D15/123
- D826,999 S \* 8/2018 Yan ..... D15/123
- 2008/0196836 A1 \* 8/2008 Woods ..... B30B 1/12  
156/367
- 2012/0175813 A1 \* 7/2012 Leedy ..... A43B 3/0084  
264/293
- 2015/0122425 A1 \* 5/2015 Hsiao ..... B30B 15/028  
156/583.1
- 2017/0314177 A1 \* 11/2017 Komiya ..... A06C 15/10

\* cited by examiner

*Primary Examiner* — Patricia A Palasik

(74) *Attorney, Agent, or Firm* — Harness, Dickey & Pierce, PLC

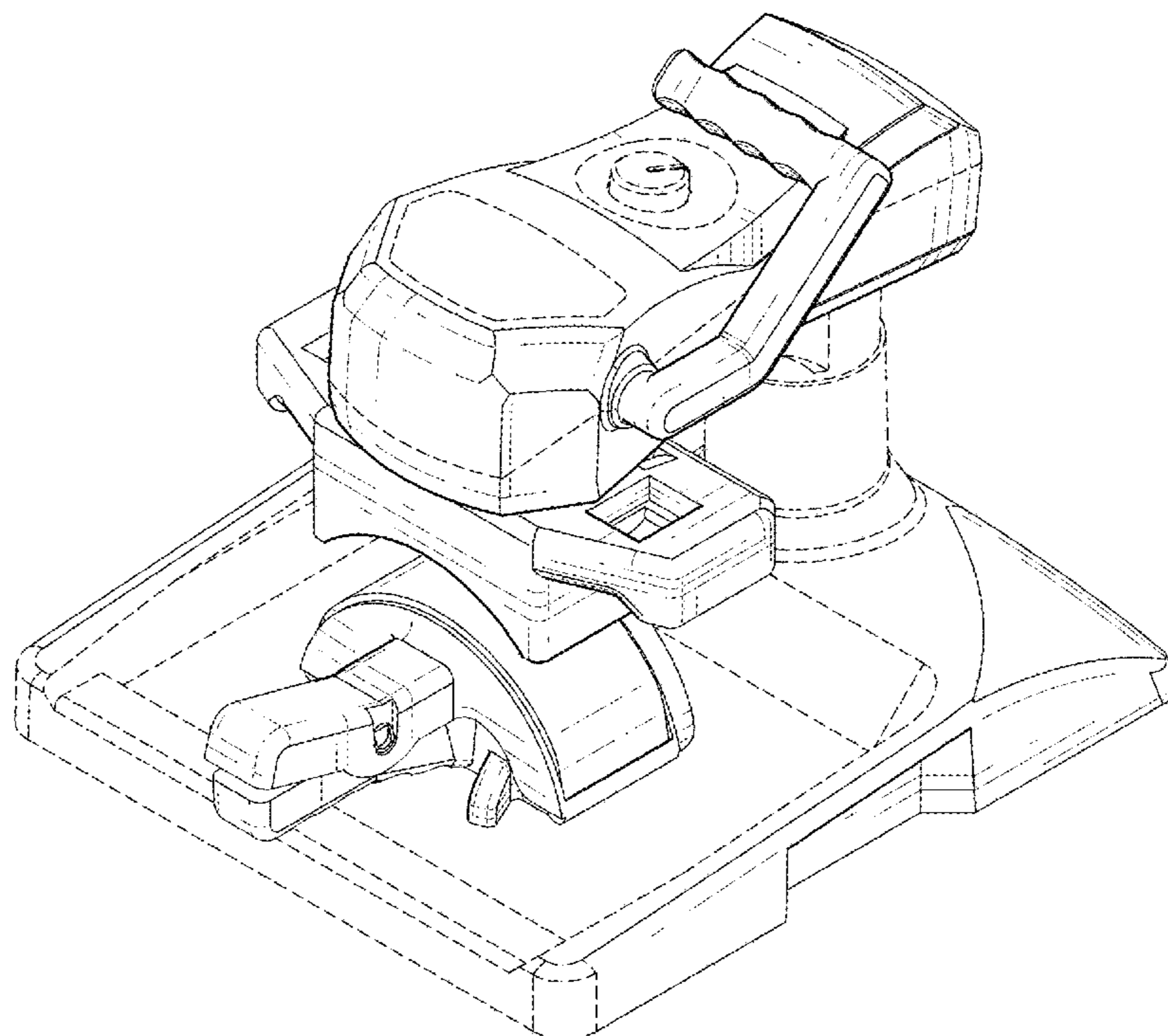
(57) **CLAIM**

The ornamental design for a heat press with cap design, as shown and described.

**DESCRIPTION**

FIG. 1 is a perspective view of the front and left sides of a heat press embodying the new design;  
 FIG. 2 is a front view of the heat press thereof;  
 FIG. 3 is a right side view of the heat press thereof;  
 FIG. 4 is a left side view of the heat press thereof;  
 FIG. 5 is a perspective view of the bottom and right sides of the heat press thereof;  
 FIG. 6 is a bottom plan view of the heat press thereof;  
 FIG. 7 is a rear view of the heat press thereof; and,  
 FIG. 8 is a top plan view of the heat press thereof.  
 The broken lines show features of the heat press that form no part of the claimed designs of FIGS. 1 through 8.

**1 Claim, 8 Drawing Sheets**



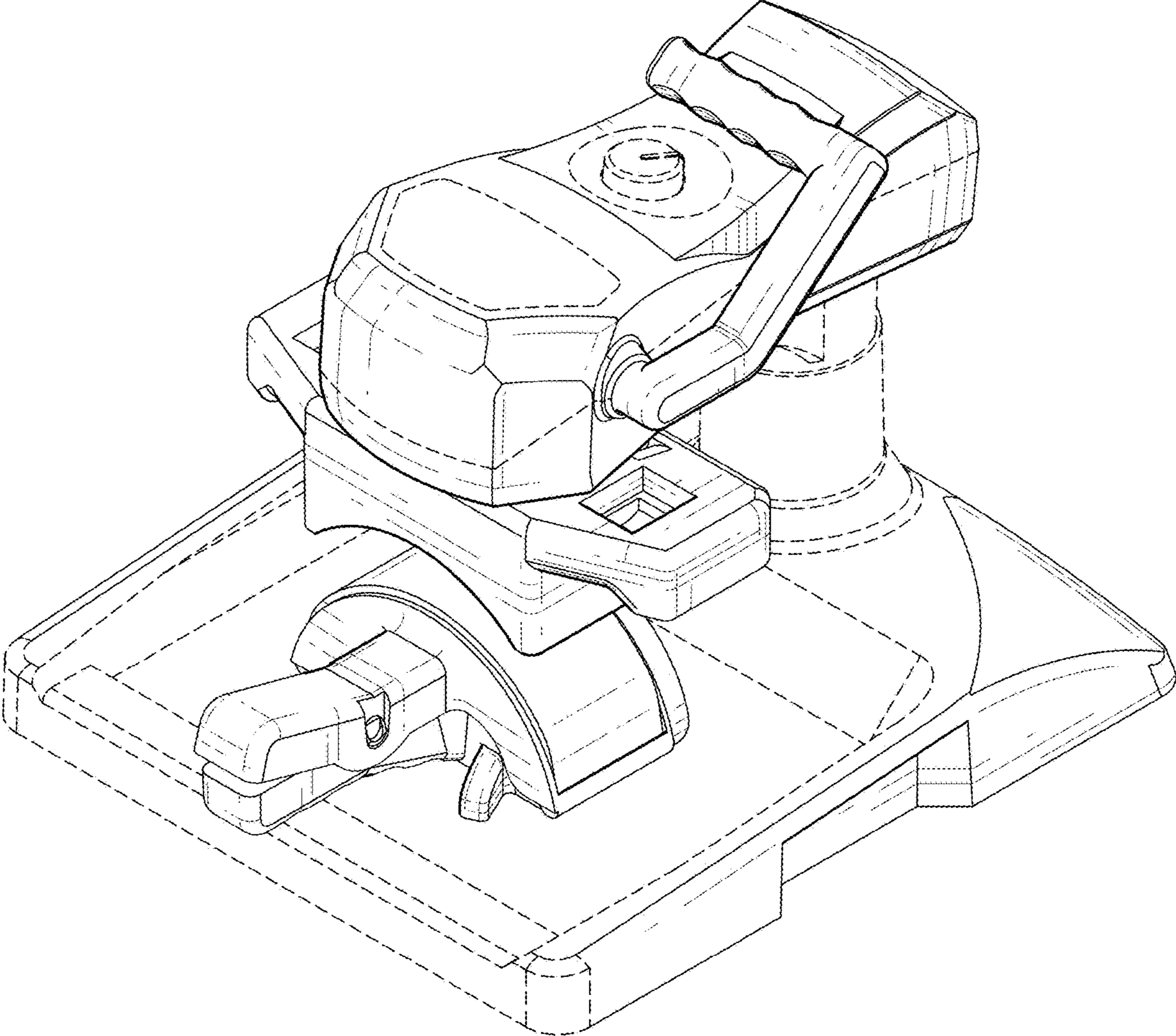


Fig-1

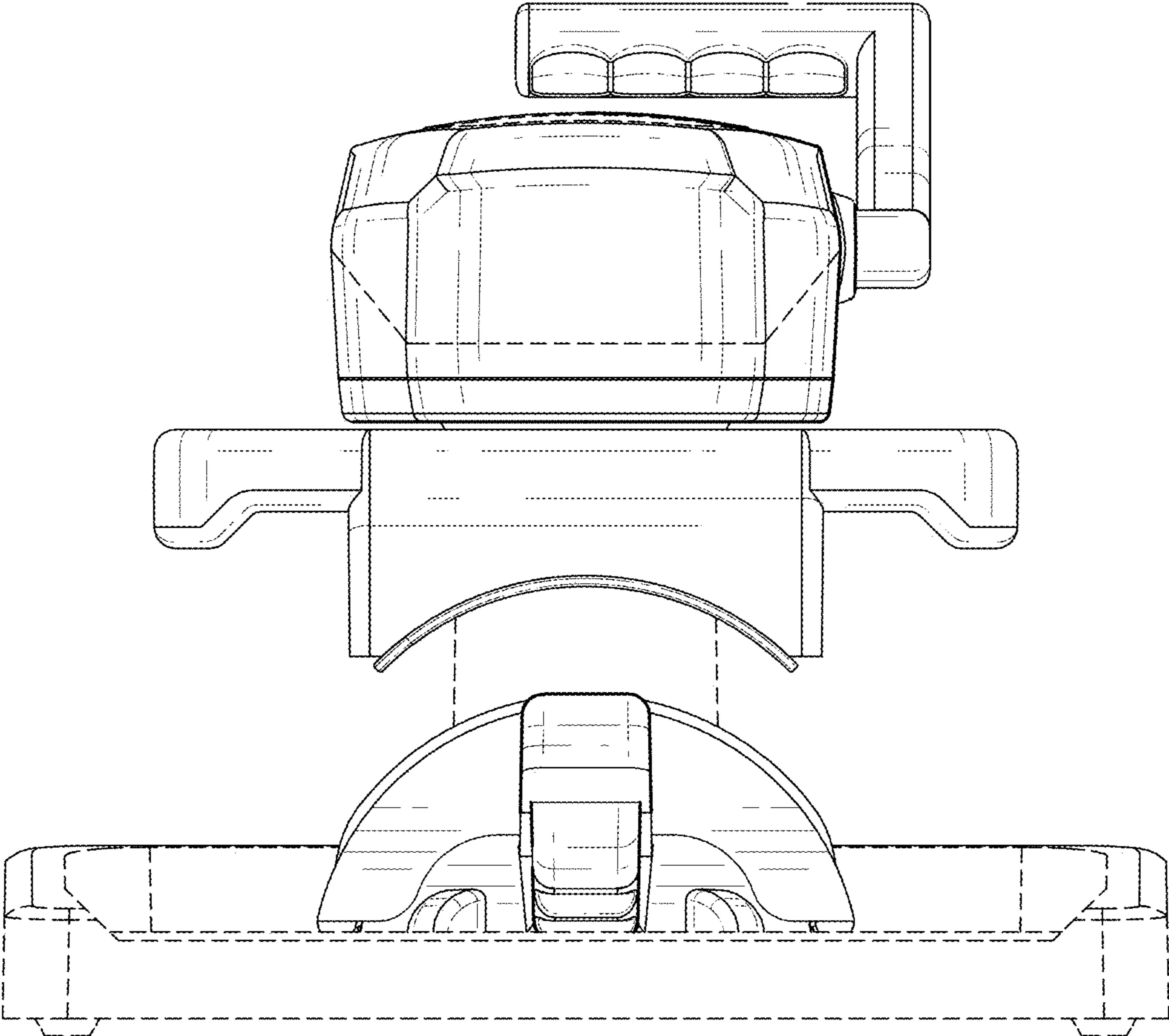


Fig-2

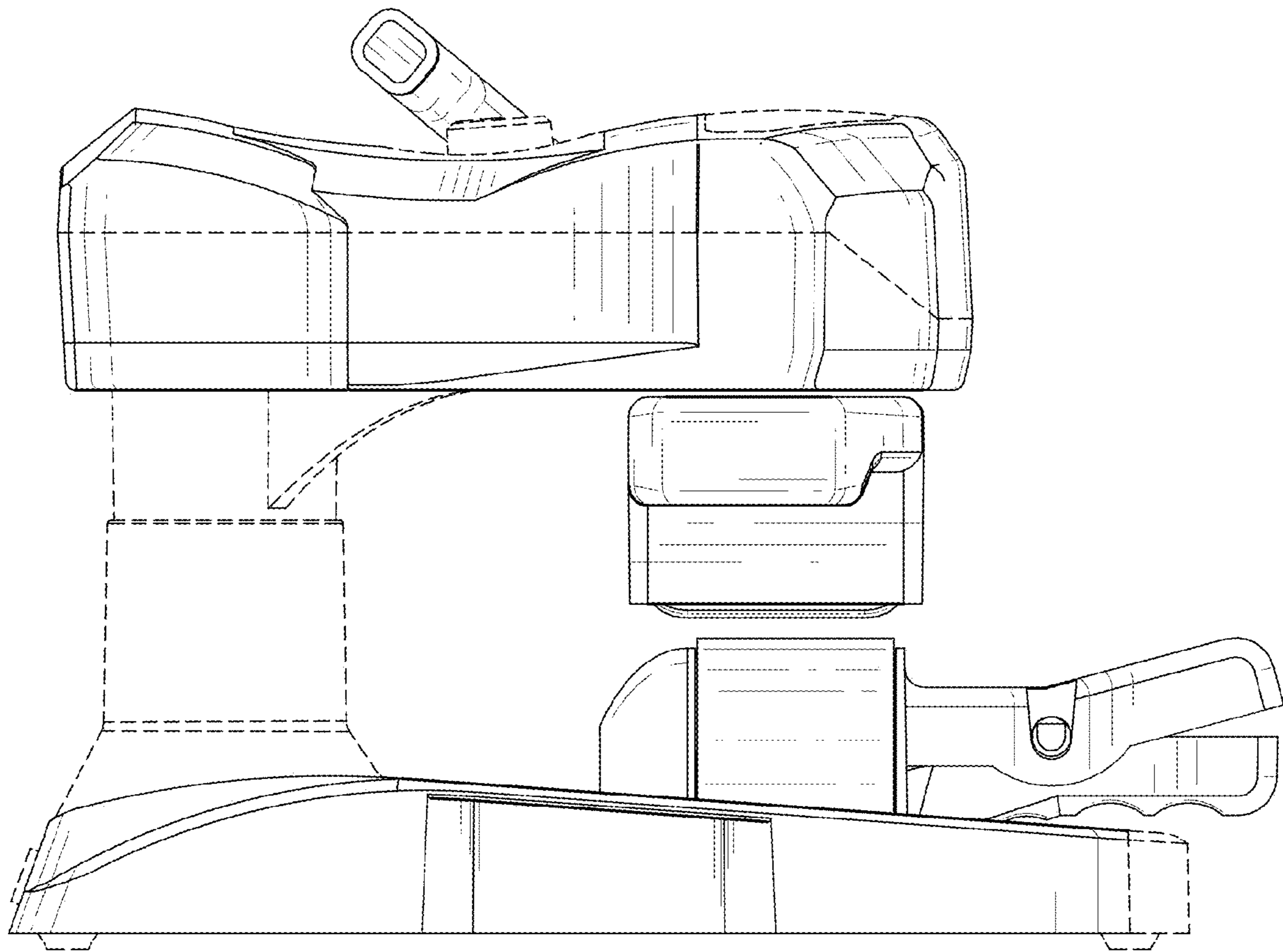


Fig-3

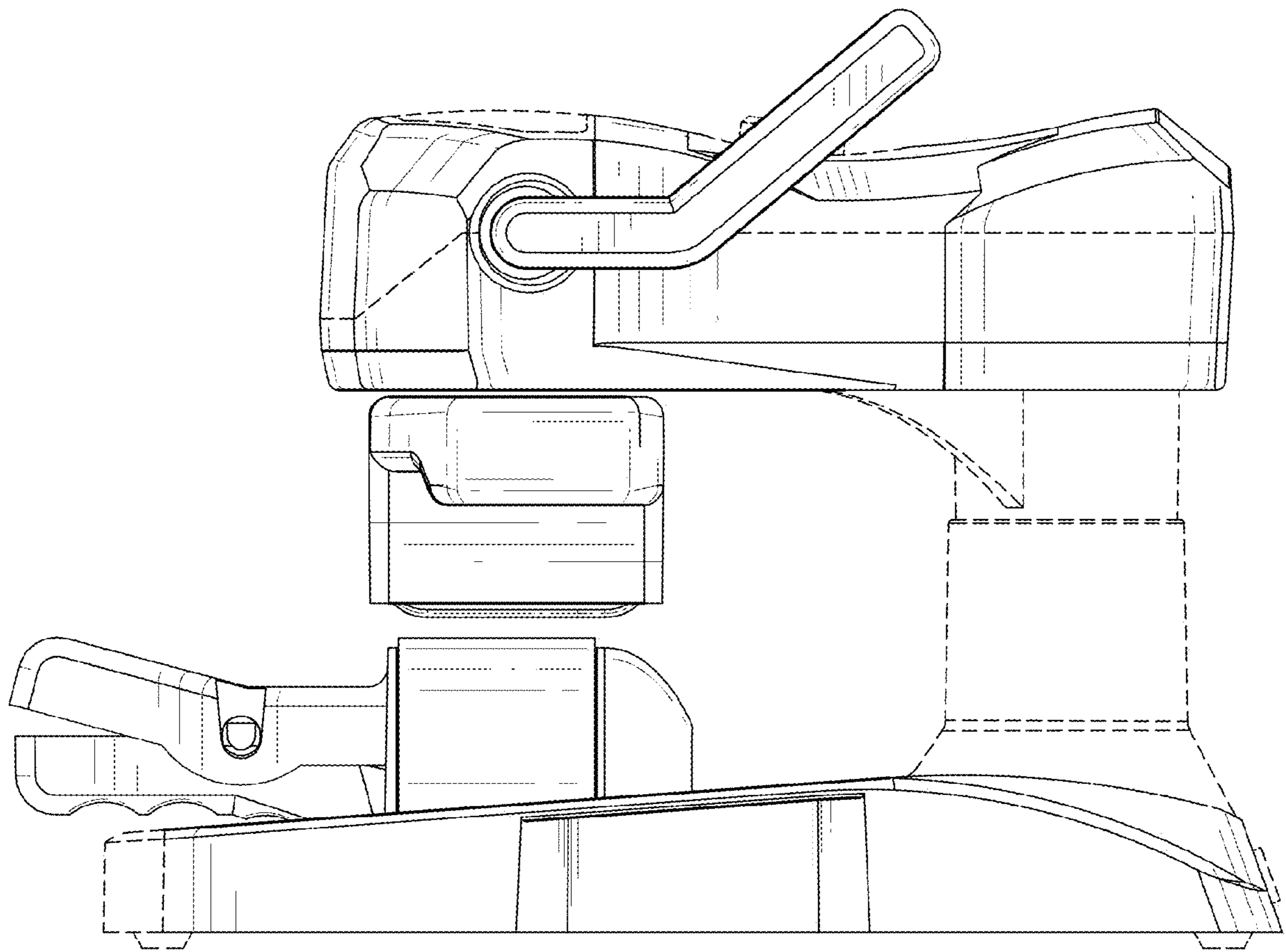


Fig-4

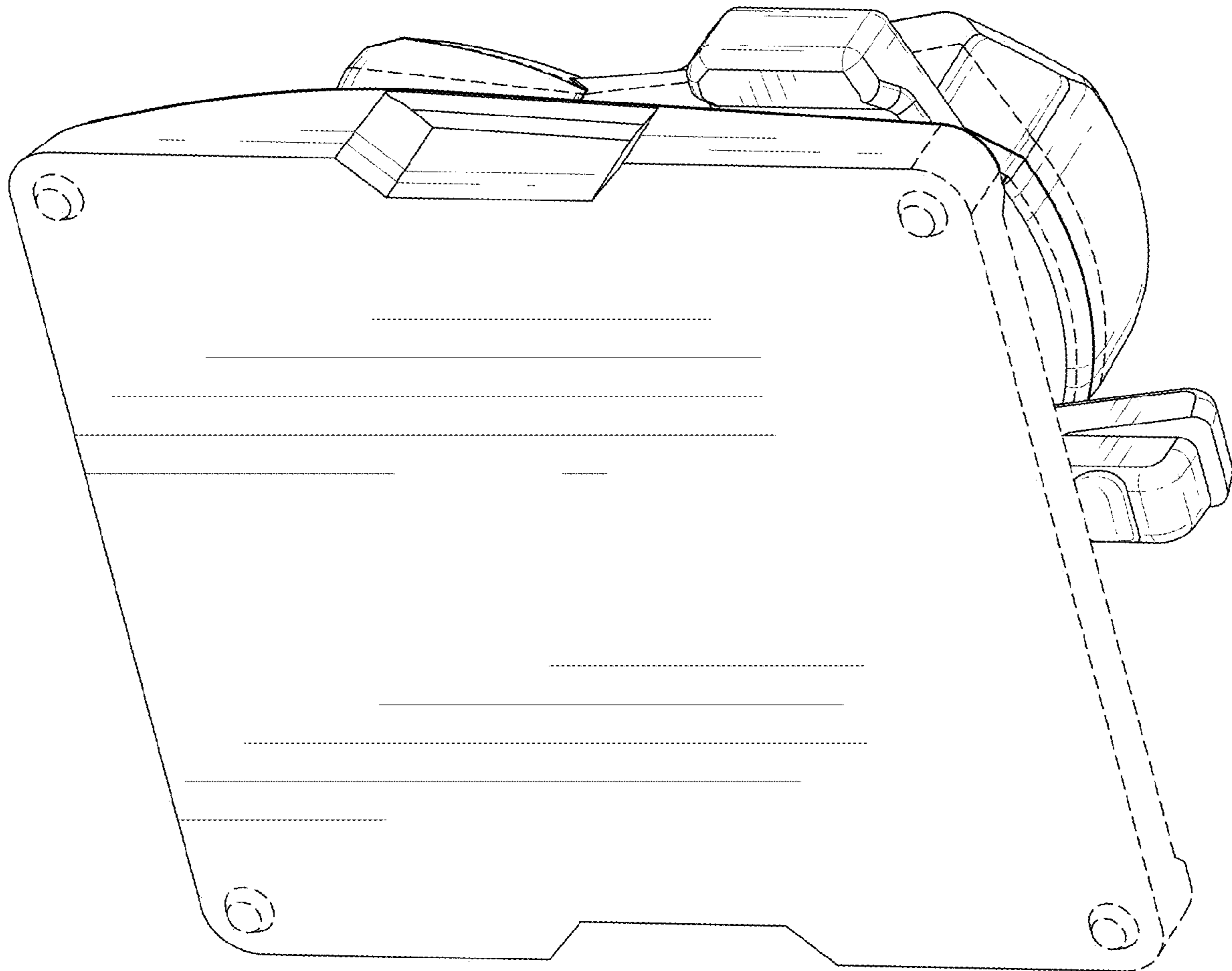


Fig-5

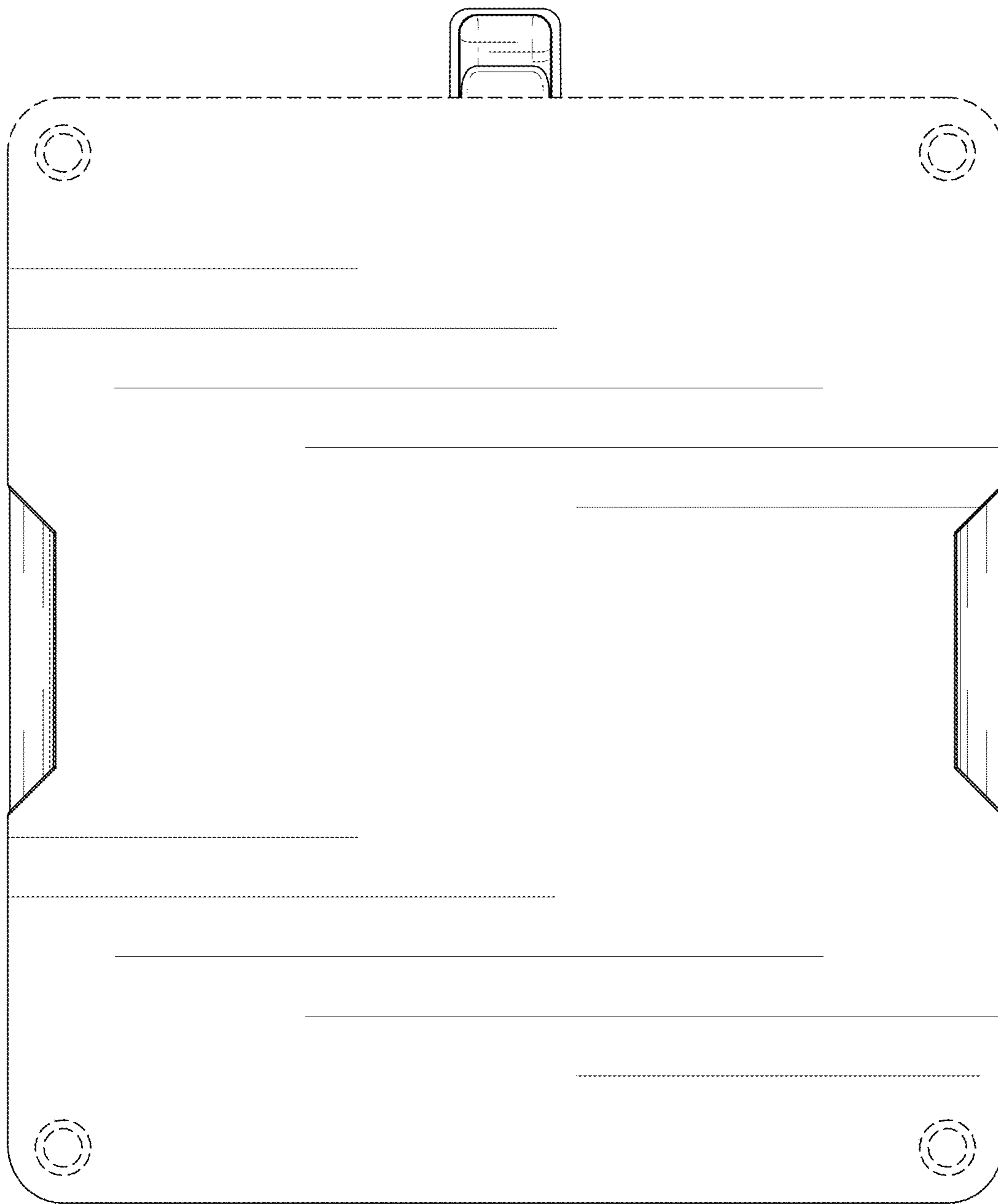


Fig-6

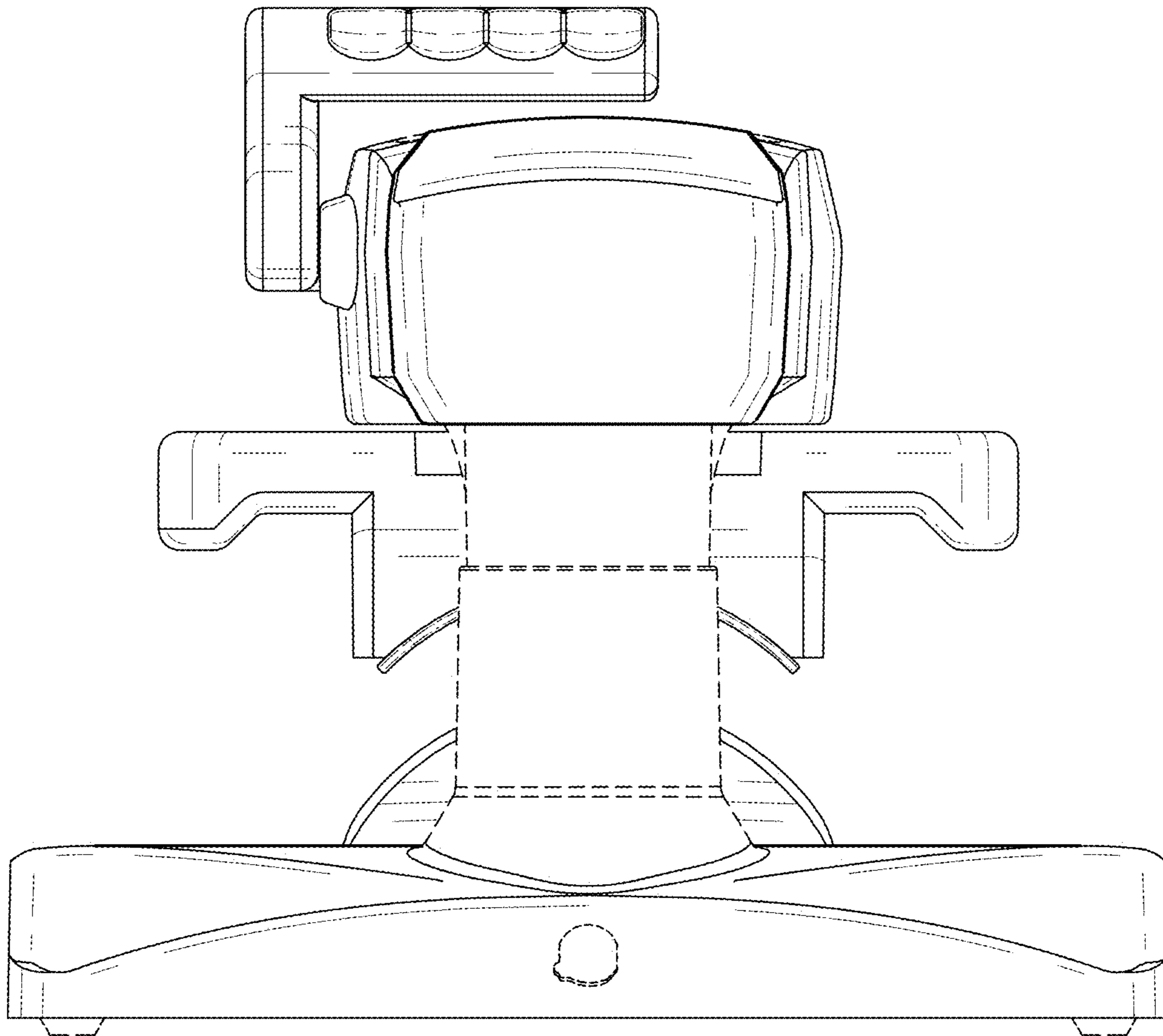


Fig-7



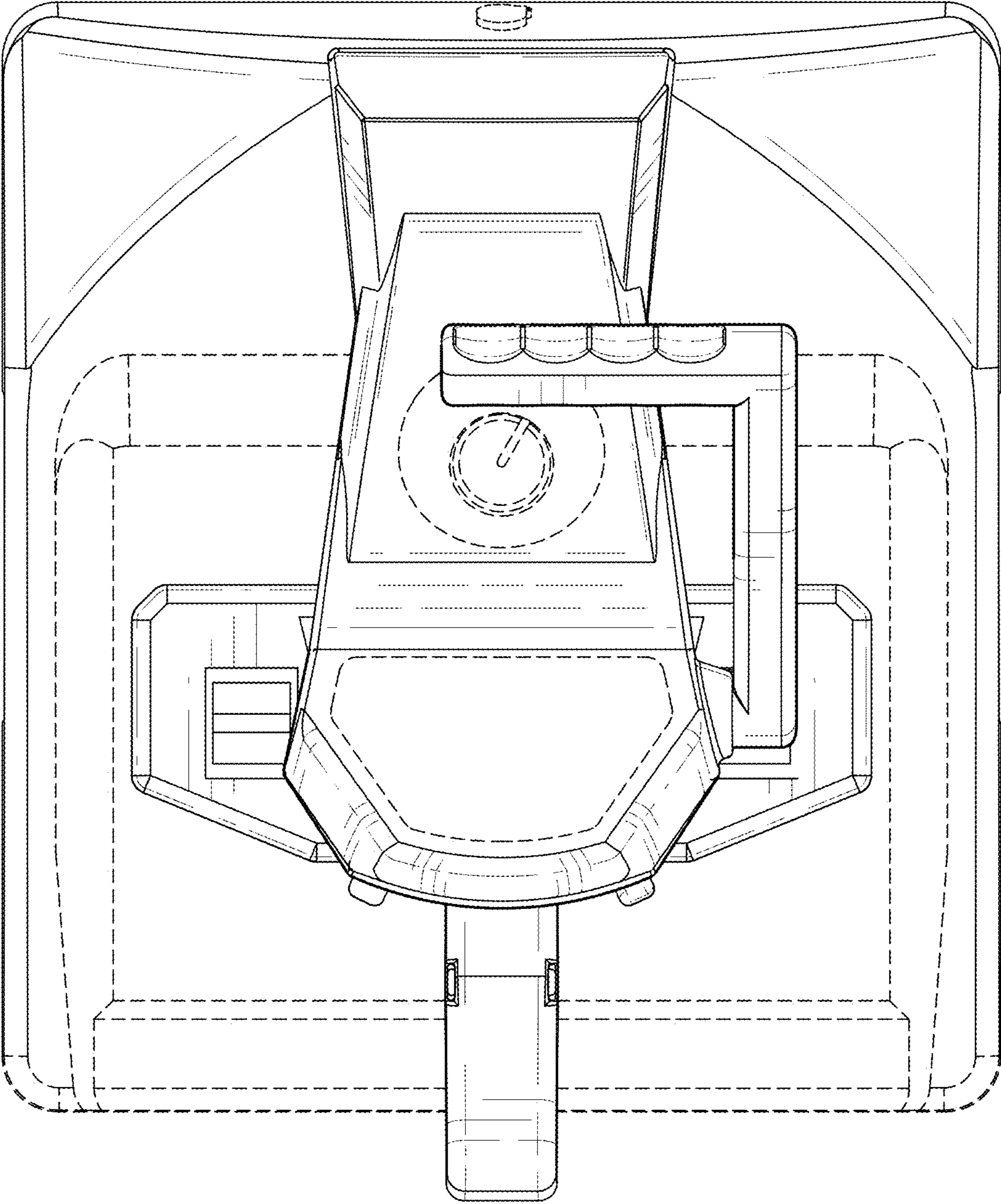


Fig-8