



US00D875143S

(12) **United States Design Patent**
Hagura et al.

(10) **Patent No.:** **US D875,143 S**

(45) **Date of Patent:** **** Feb. 11, 2020**

(54) **EXCAVATOR**

(71) Applicant: **Hitachi Construction Machinery Co., Ltd.**, Taito-ku, Tokyo (JP)

(72) Inventors: **Shigehisa Hagura**, Tokyo (JP); **Atsushi Ninomiya**, Tokyo (JP); **Masao Kariya**, Ibaraki (JP); **Hayato Kubota**, Ibaraki (JP); **Hiroki Sugawara**, Ibaraki (JP)

(73) Assignee: **Hitachi Construction Machinery Co., Ltd.**, Tokyo (JP)

(**) Term: **15 Years**

(21) Appl. No.: **29/601,112**

(22) Filed: **Apr. 19, 2017**

(30) **Foreign Application Priority Data**

Nov. 30, 2016 (JP) 2016-026020

(51) **LOC (12) Cl.** **12-09**

(52) **U.S. Cl.**
USPC **D15/24**

(58) **Field of Classification Search**
USPC D15/10, 22, 23, 24, 25, 26, 28, 30
CPC E02F 3/32; E02F 3/76; E02F 3/40; E02F 9/163

See application file for complete search history.

(56) **References Cited**

U.S. PATENT DOCUMENTS

D410,471 S * 6/1999 Tamane D15/24
D590,845 S * 4/2009 Ochi D15/22
D692,464 S * 10/2013 Sumitani D15/24
D709,526 S * 7/2014 Hutchinson D15/22

D715,330 S * 10/2014 Hutchinson D15/22
D759,127 S * 6/2016 Higuchi D15/24
D778,962 S * 2/2017 Higuchi D15/24
9,689,140 B2 * 6/2017 Baba E02F 3/435
9,828,747 B2 * 11/2017 Arimatsu E02F 9/26
9,834,905 B2 * 12/2017 Matsuyama E02F 3/437
D854,054 S * 7/2019 Hirasawa D15/22
10,422,109 B2 * 9/2019 Kawashima E02F 9/2239
10,428,490 B2 * 10/2019 Wagner E02F 9/2217
10,435,863 B2 * 10/2019 Ishihara E02F 3/435

FOREIGN PATENT DOCUMENTS

JP D1371360 S 10/2012
JP D1452045 S 10/2012
JP D1467122 S 4/2013

* cited by examiner

Primary Examiner — Mark A Goodwin

Assistant Examiner — Benjamin M Weeks

(74) *Attorney, Agent, or Firm* — Crowell & Moring LLP

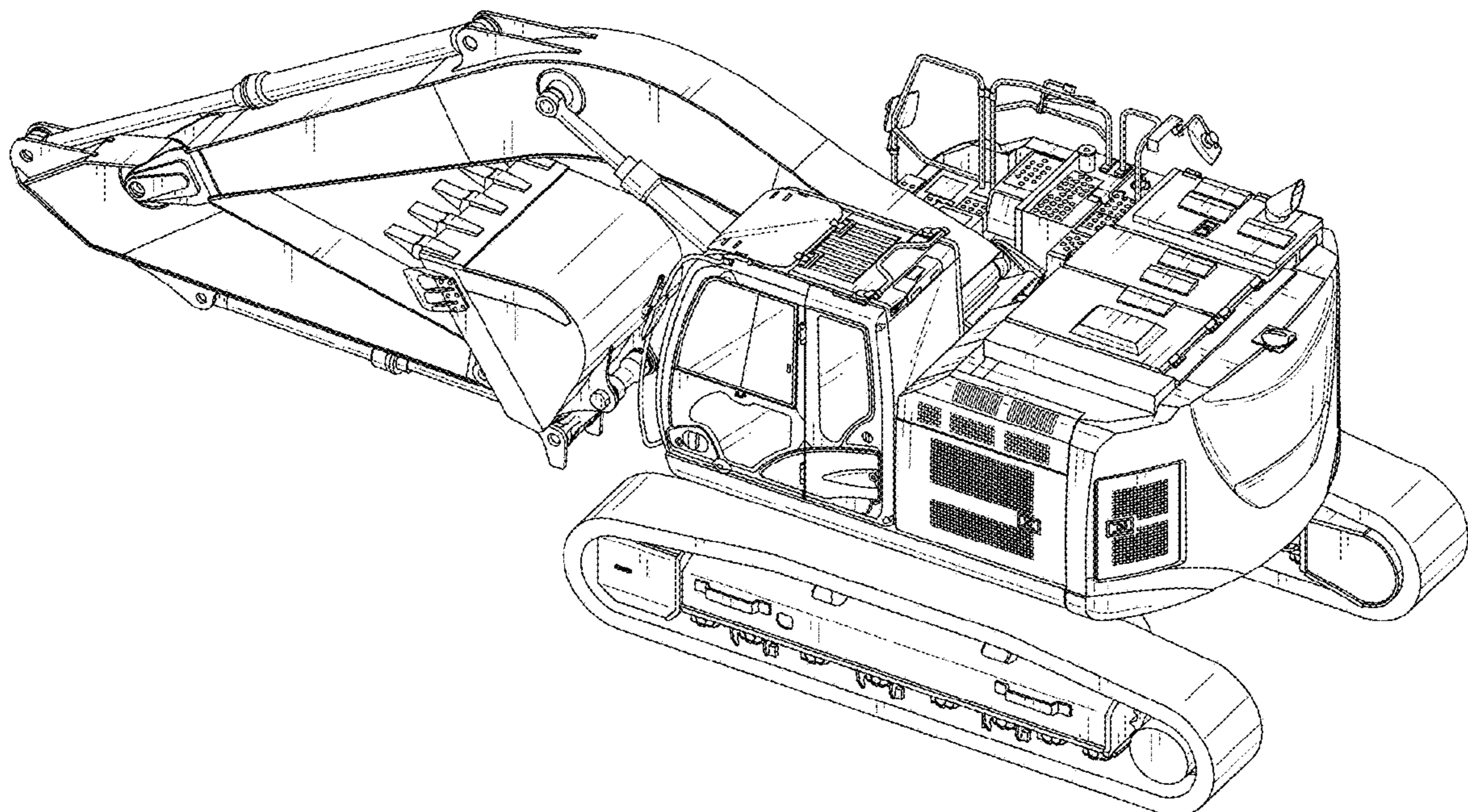
(57) **CLAIM**

The ornamental design for an excavator, as shown and described.

DESCRIPTION

FIG. 1 is a front, top and right side perspective view of an excavator according to the design;
FIG. 2 is a rear, top and left side perspective view thereof;
FIG. 3 is a front elevational view thereof;
FIG. 4 is a rear elevational view thereof;
FIG. 5 is a left side elevational view thereof;
FIG. 6 is a right side elevational view thereof;
FIG. 7 is a top plan view thereof; and,
FIG. 8 is a bottom plan view thereof.

1 Claim, 7 Drawing Sheets



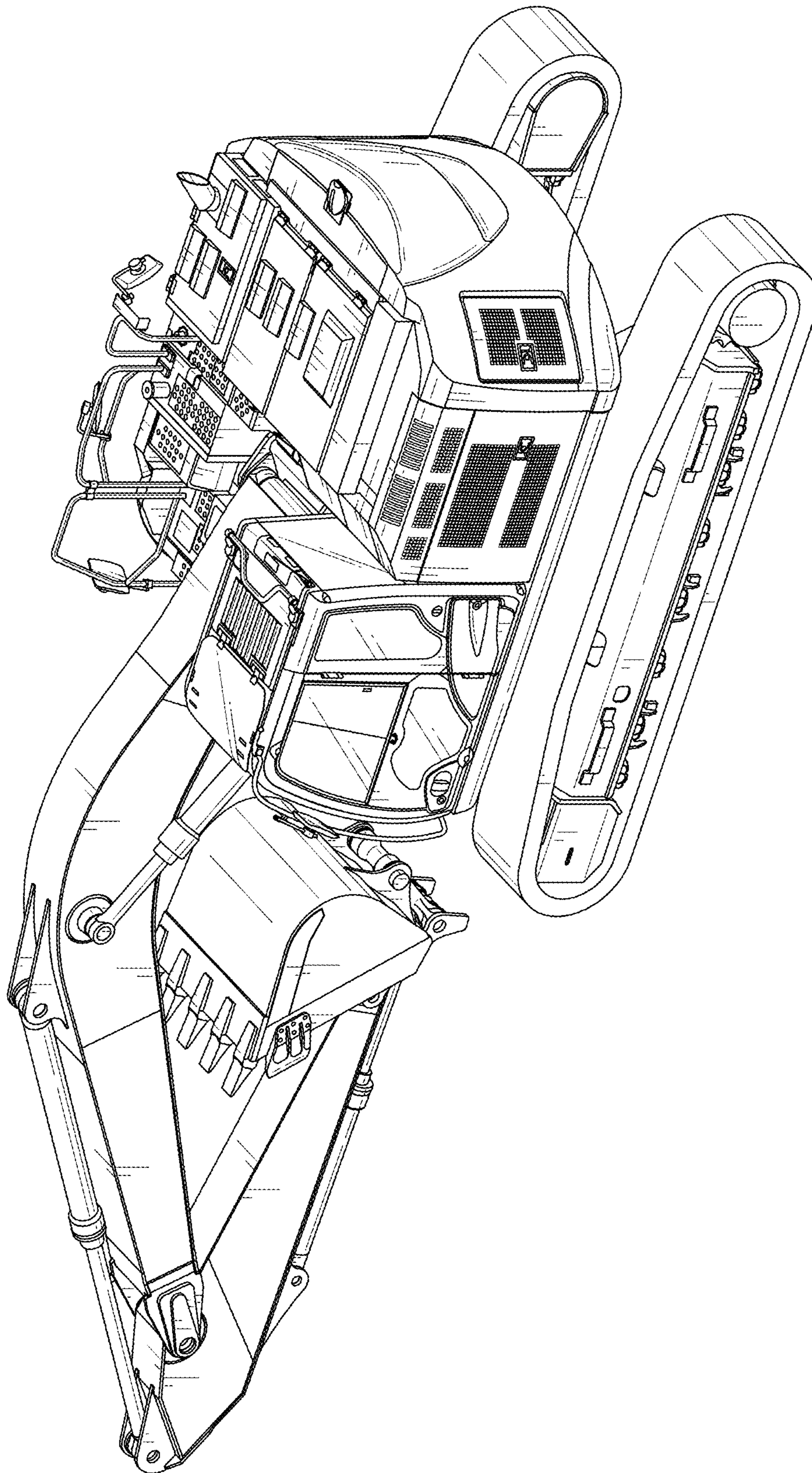


FIG. 1

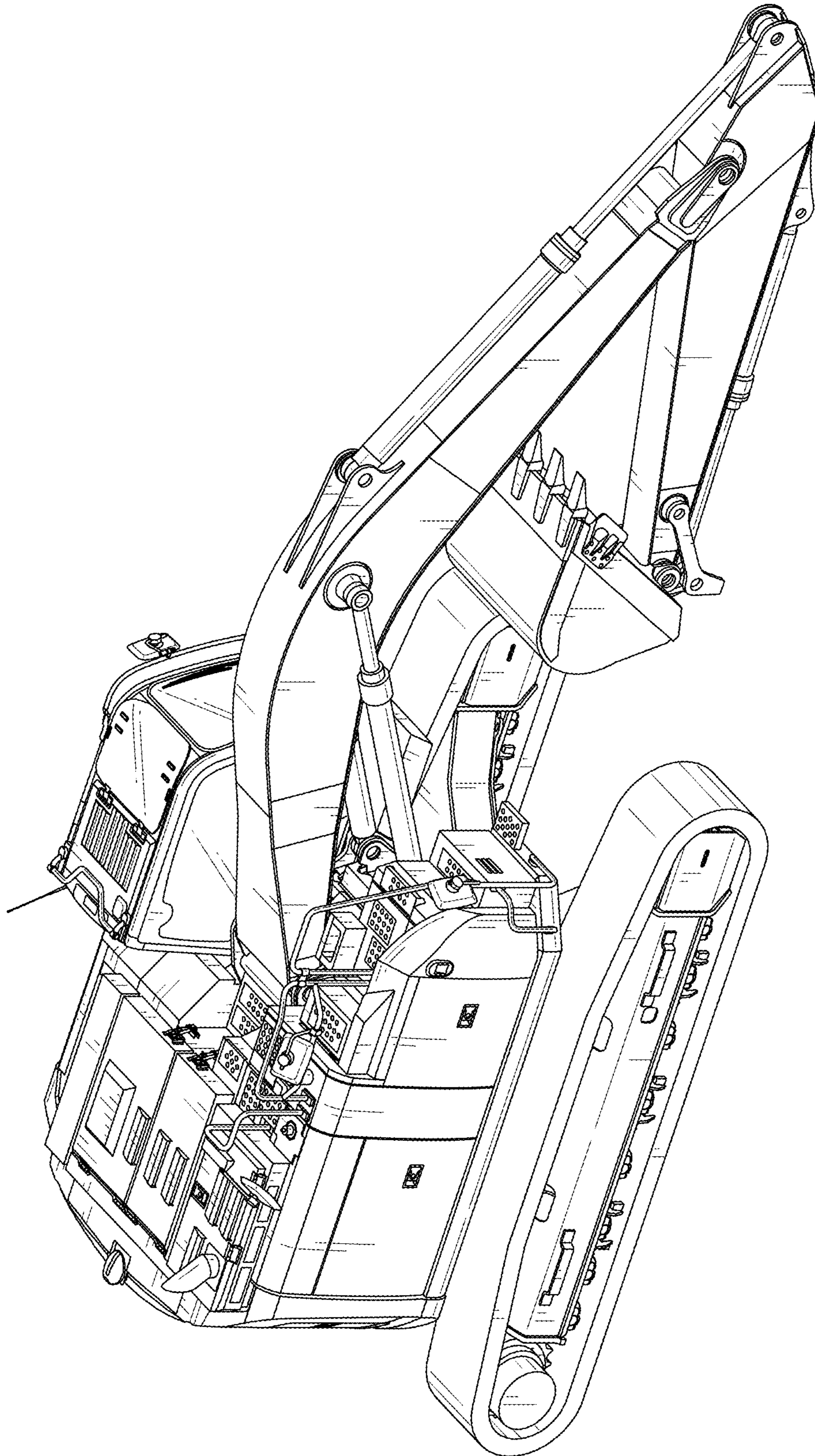


FIG. 2

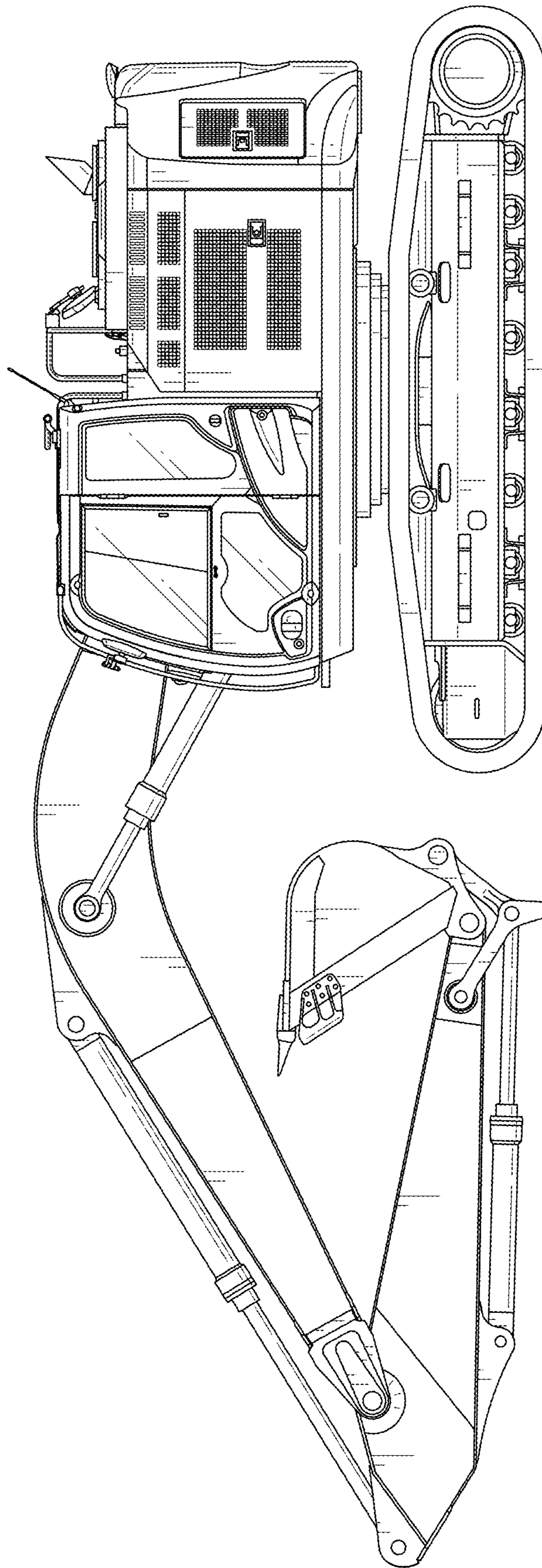


FIG. 3

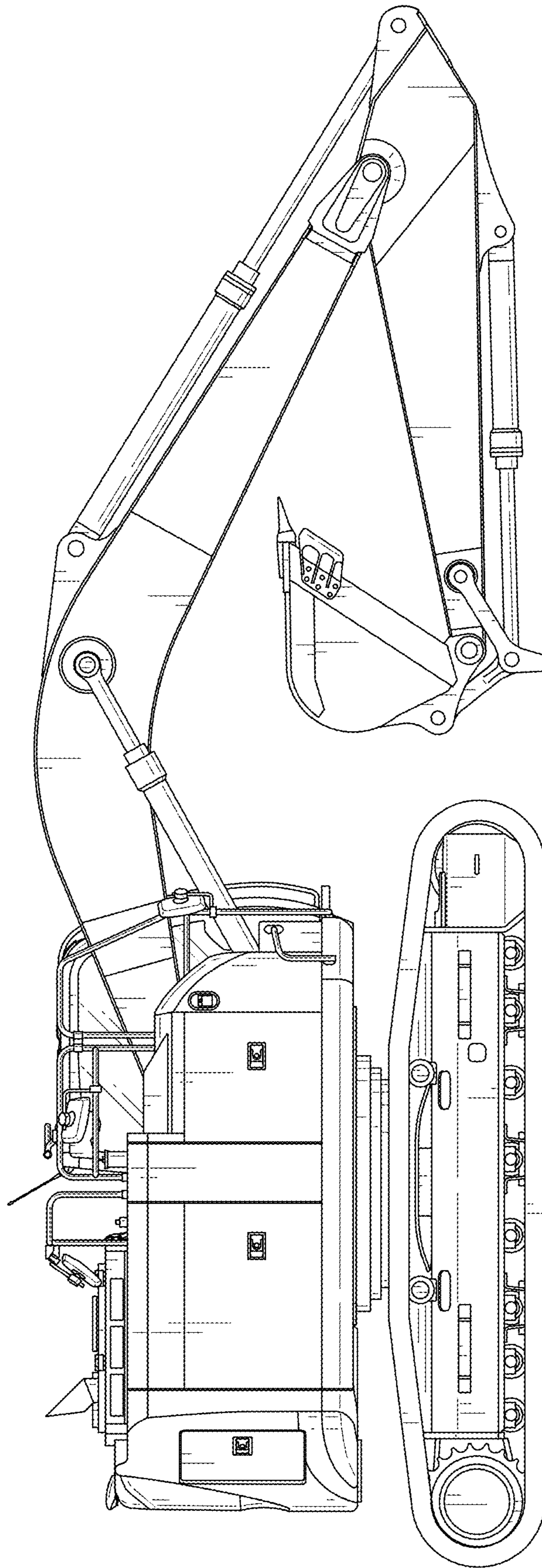


FIG. 4

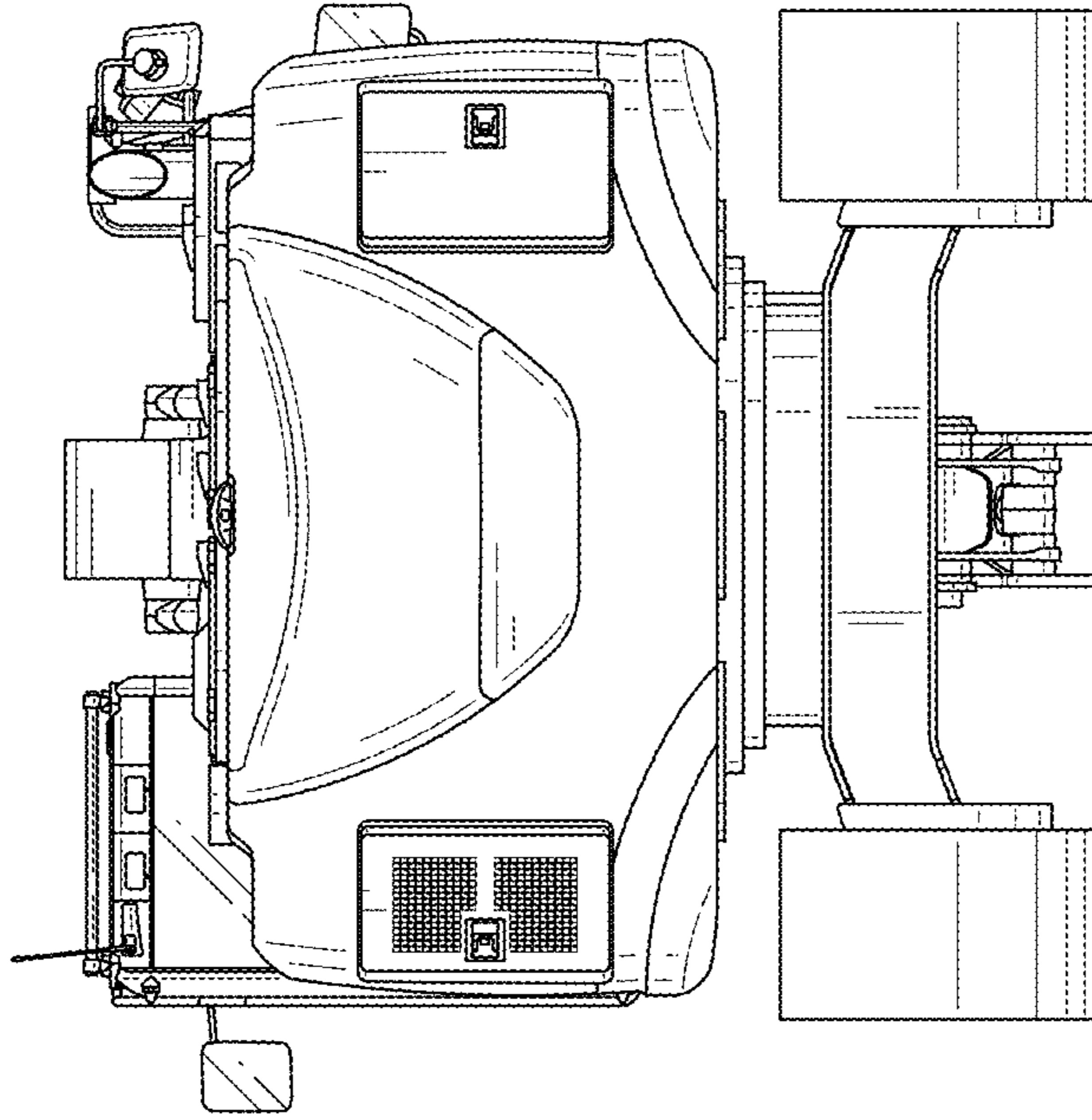


FIG. 6

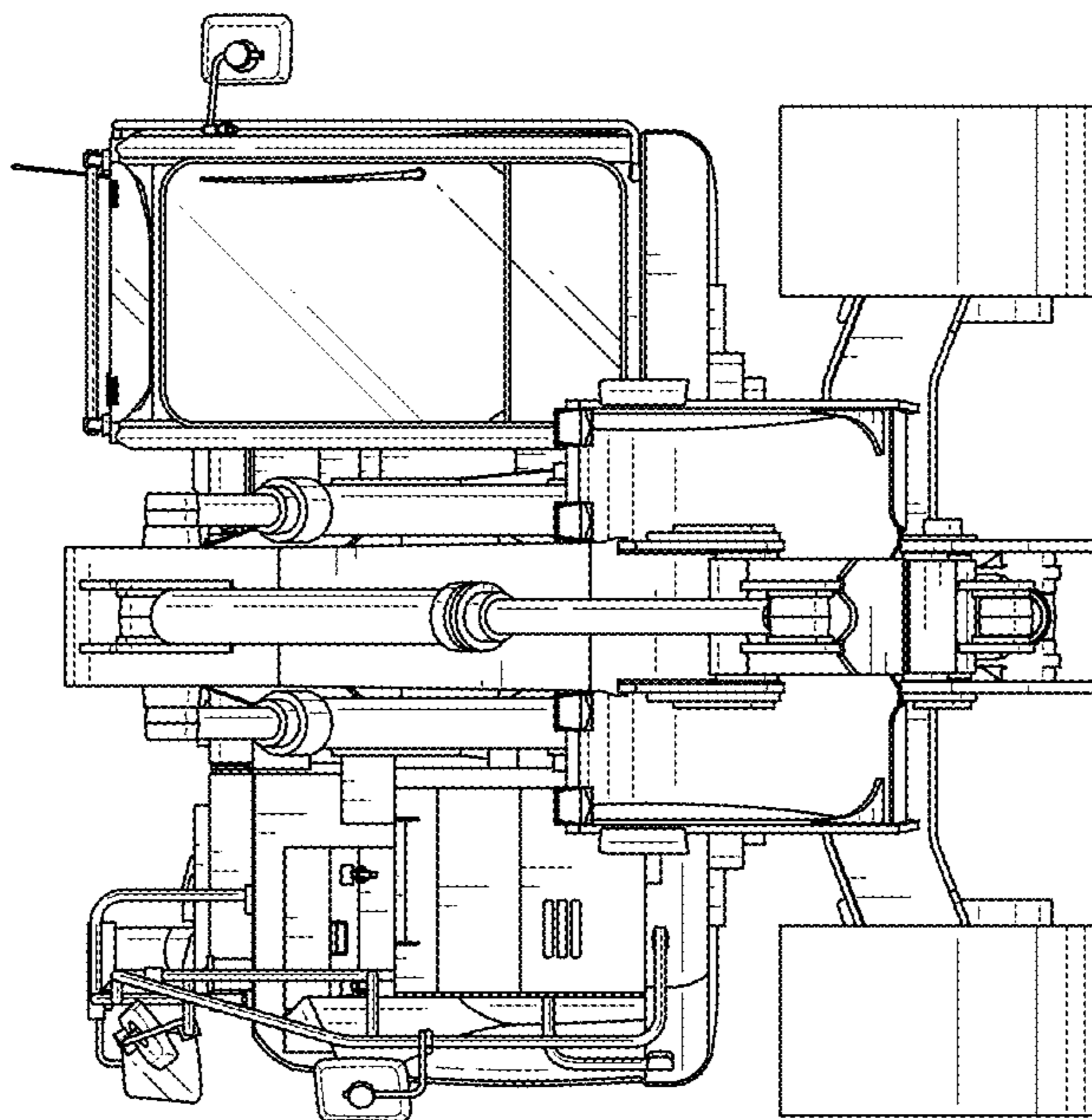


FIG. 5

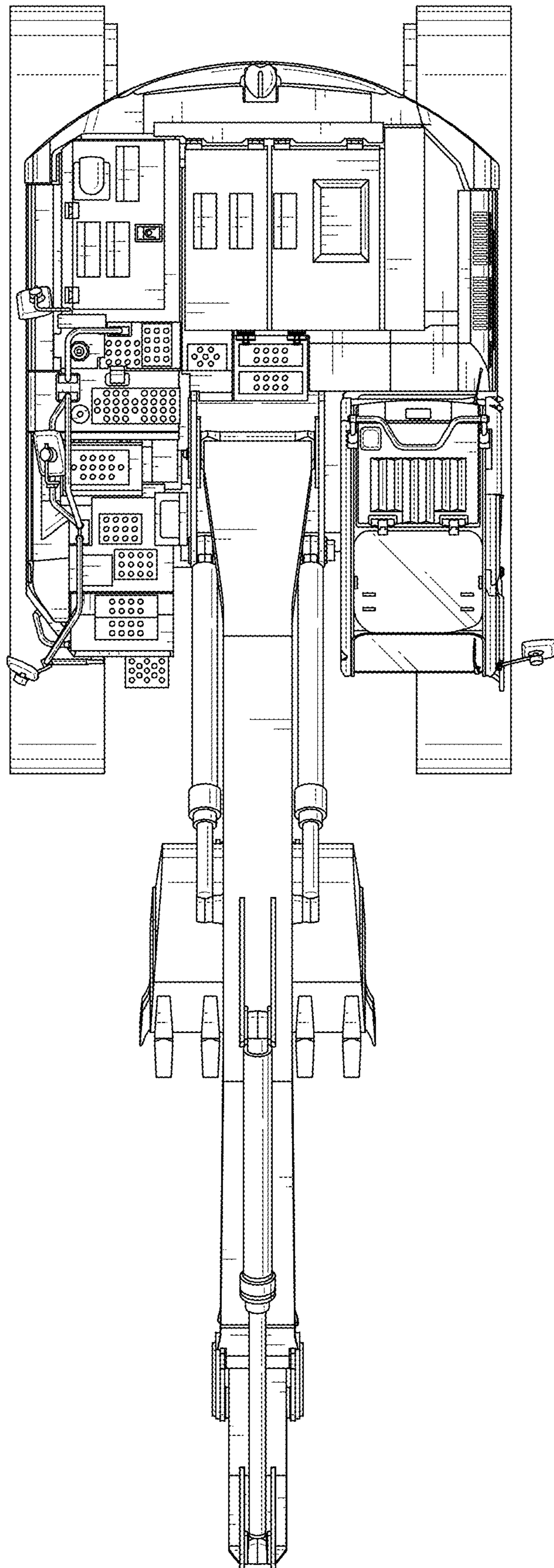


FIG. 7

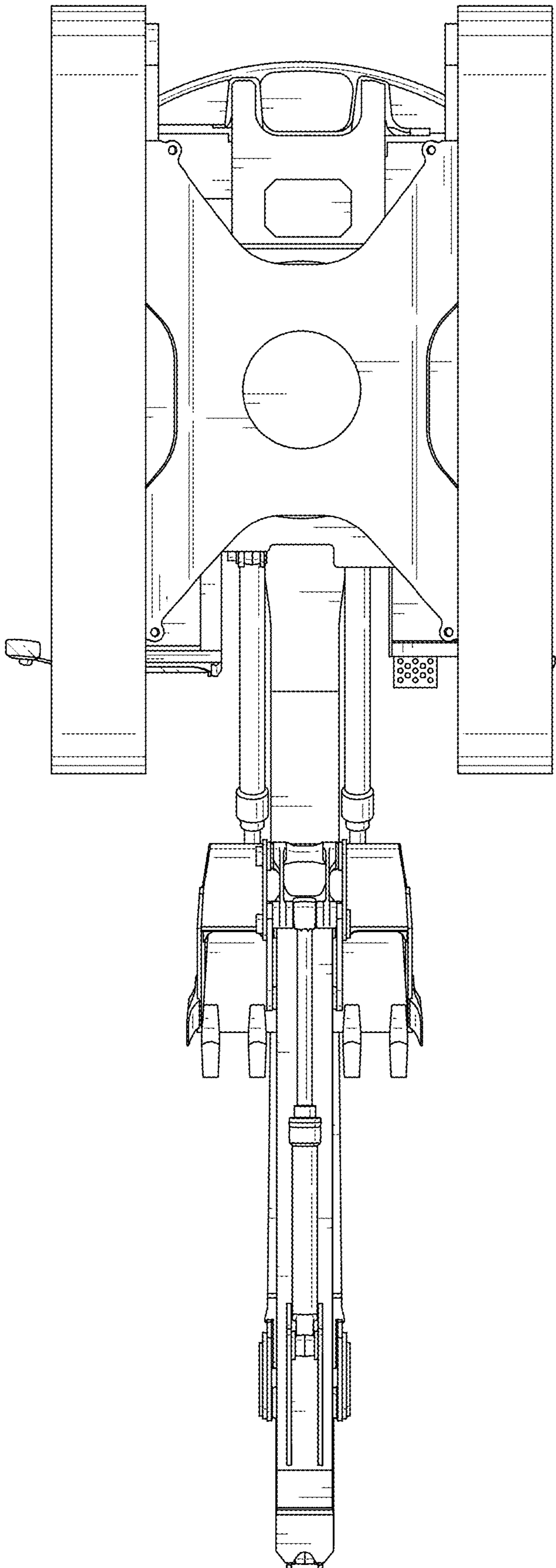


FIG. 8